

LINSY 林氏家居

五金表/Hardware list

安装示意图/Assembly Instruction

产品名称 Model NO.

六门衣柜2.0m

产品型号 Product Model

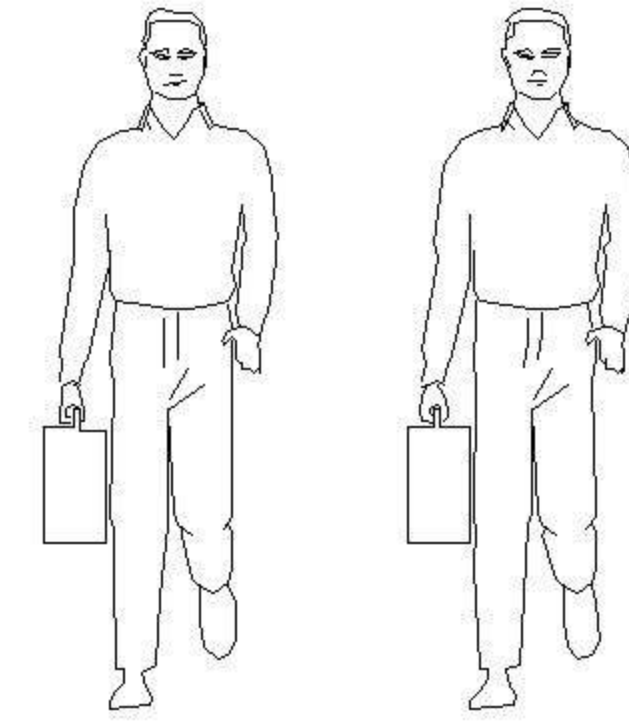
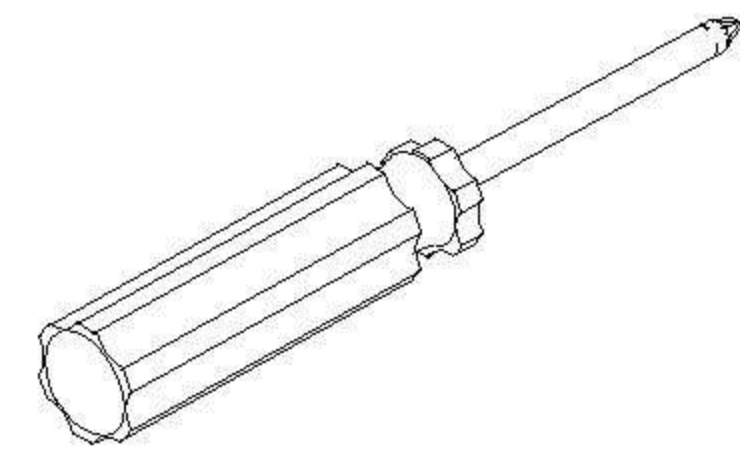
YZ1D-A

尺寸规格 Specification

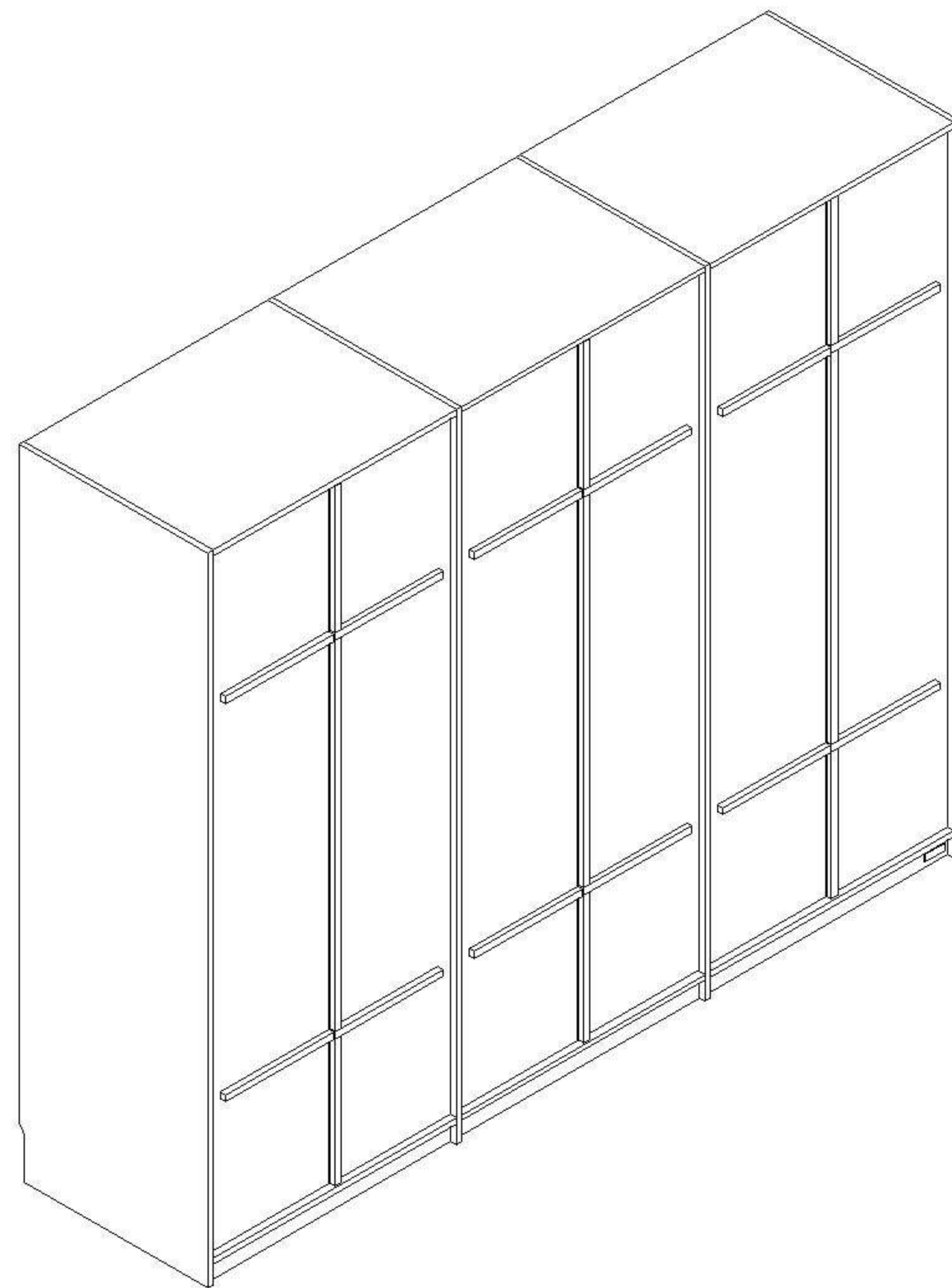
(2358*594*2003)mm

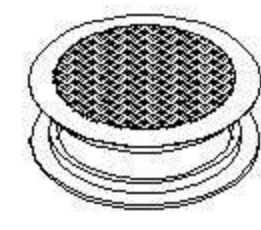
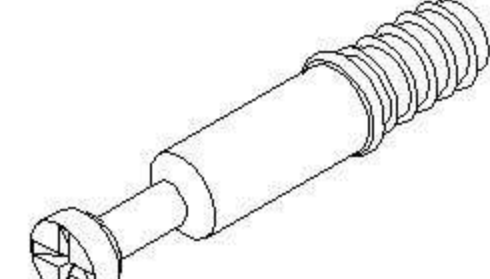
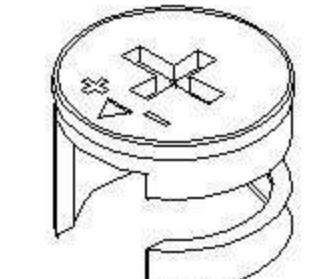
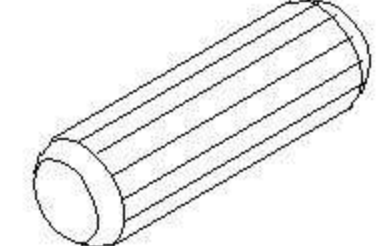
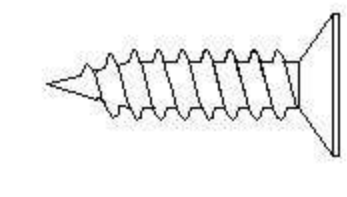
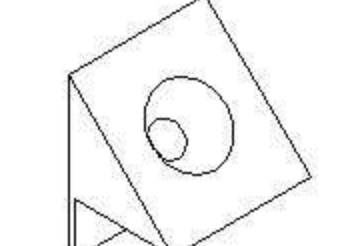
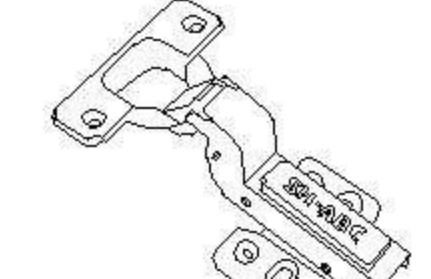
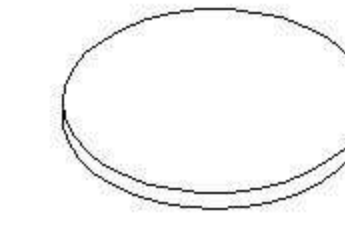
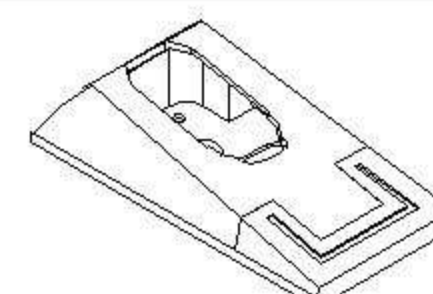
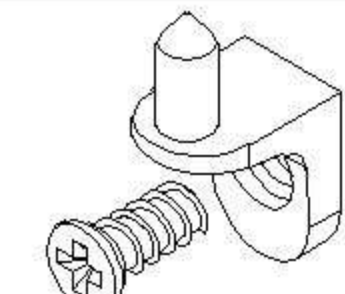
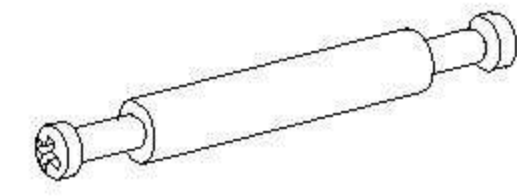
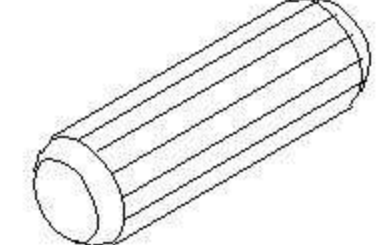
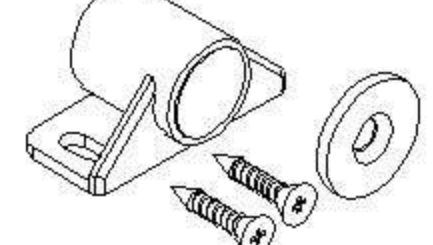
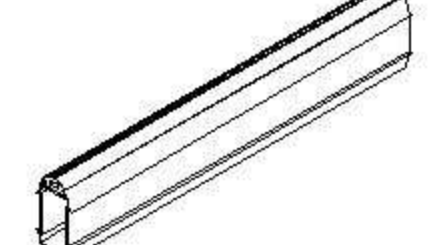
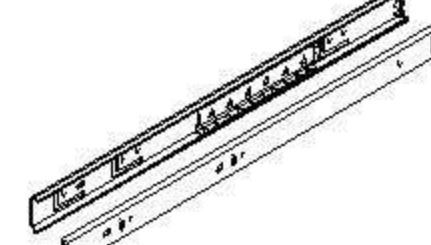
安装工具 Tool

安装人数 Installer



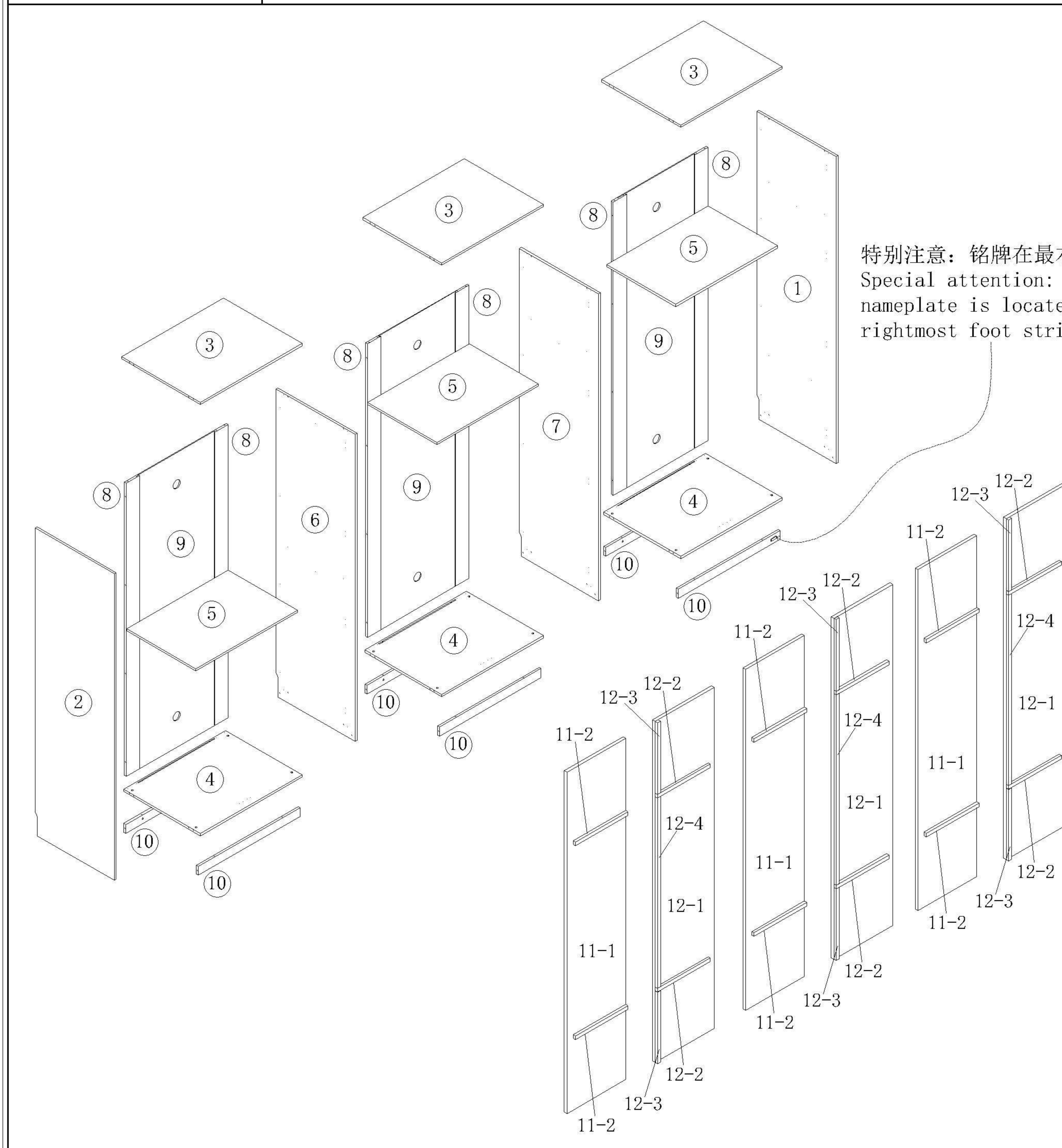
注：为保证设计效果，部分尺寸为定制尺寸，不影响使用。



 (A)* 6 透气孔盖 Vent cover white	 (B)*101 二合一螺杆 2 in 1 screw	 (C)*135 大三合一锁饼 Three in one large lock	 (D)* 15 木榫Ø8x30mm wood tenon	 (E)* 61 自攻螺丝M3.5x14mm Self tapping screw	 (F)* 19 背板扣 Back Plate Buckle White	 (G)* 24 缓冲门铰大弯-Ø35 Hinge-big bends	 (H)* 20 脚垫 Footrest
 (I)* 8 挂衣杆托 Clothes hanger	 (J)* 16 层板托 shelf support	 (K)*17 双头三合一螺杆 Double head 3-in-1 screw	 (L)* 13 木榫Ø8x50mm wood tenon	 (M)* 8 古铜色消音磁碰 magnetic catch	 (N)* 4 挂衣杆-L=758mm Clothes hanging rod	 (O)* 2 三节滚珠导轨-12" three-section ball rail	

警告：门板与柜体有设计所需的开启间隙，小心夹伤
 Warning: The door panel and the cabinet have the opening gap required by the design, beware of clamping

YZ1D-A 六门衣柜2.0m	部件表/Parts List					部件表/Parts List				
安装方法/ Installation method	编号NO.	名称Name	规格 (mm) Specification	数量 QTY	材质Material	编号NO.	名称Name	规格 (mm) Specification	数量 QTY	材质Material
	⑳	抽屉后板Drawer back panel	612*110*15	2	刨花板 Particle board	①	右侧板Side board(R)	2000*594*15	1	刨花板 Particle board
	㉑	抽屉底托条Drawer bottom support strip	340*58*15	2	刨花板 Particle board	②	左侧板Side board(L)	2000*594*15	1	刨花板 Particle board
	㉒	抽屉底板Drawer bottom plate	592*350*5	2	纤维板 Fiberboard	③	顶板Top board	766*594*15	3	刨花板 Particle board
						④	底板Bottom board	766*579*15	3	刨花板 Particle board
						⑤	活动层板 Movable shelf	765*522*15	3	刨花板 Particle board
						⑥	左中侧板Middle side board(L)	2000*594*15	1	刨花板 Particle board
						⑦	右中侧板Middle side board(R)	2000*594*15	1	刨花板 Particle board
						⑧	边背拉条Side back brace	1912*101*15	6	刨花板 Particle board
						⑨	背板Back board	1922*575*5	3	纤维板 Fiberboard
						⑩	前脚条Front foot strip	766*58*15	6	刨花板 Particle board
						⑪	左门板组立Door board assembly(L)	1906*380*33	3	刨花板+白蜡木 Particle board+Ash
						11-1	左门板Door board (L)	1906*380*18	3	刨花板 Particle board
						11-2	门板装饰条1 Door panel decorative strip 1	340*15*20	6	白蜡木 Ash
						⑫	右门板组立Door board assembly(R)	1906*380*33	3	刨花板+白蜡木 Particle board+Ash
						12-1	右门板Door board (R)	1906*380*18	3	刨花板 Particle board
						12-2	门板装饰条1 Door panel decorative strip 1	340*15*20	6	白蜡木 Ash
						12-3	门板装饰条2 Door panel decorative strip 2	400*15*20	6	白蜡木 Ash
						12-4	门板装饰条3 Door panel decorative strip 3	1063*15*20	3	白蜡木 Ash
						⑬	附柜上层板Upper panel of attached cabinet	765*426*15	1	刨花板 Particle board
						⑭	附柜左侧板Left side panel of the attached cabinet	410*386*15	1	刨花板 Particle board
						⑮	附柜右侧板Right side panel of the attached cabinet	410*386*15	1	刨花板 Particle board
						⑯	侧柱Jamb	386*63*15	2	刨花板 Particle board
					⑰	拉条Brace	638*58*15	3	刨花板 Particle board	
					⑱	抽屉面板Drawer panel	634*158*15	2	刨花板 Particle board	
					㉑	抽屉侧板Drawer side panel	340*110*15	4	刨花板 Particle board	

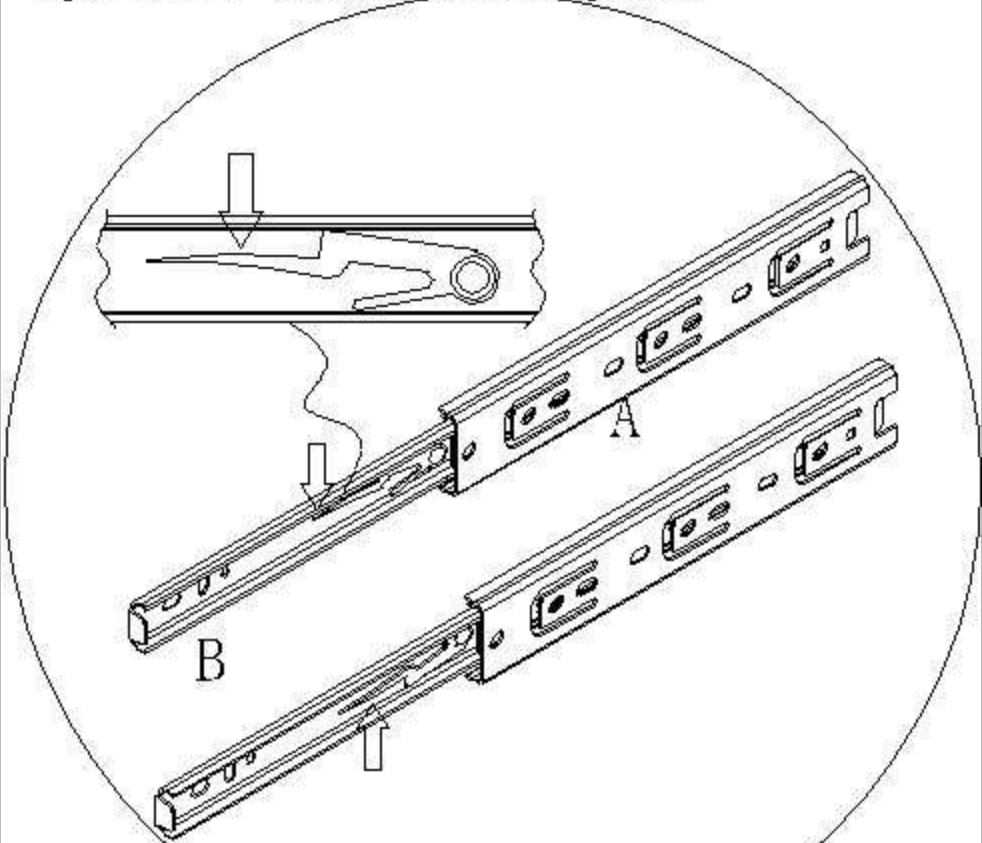


特别注意：铭牌在最右侧脚条上
 Special attention: The nameplate is located on the rightmost foot strip

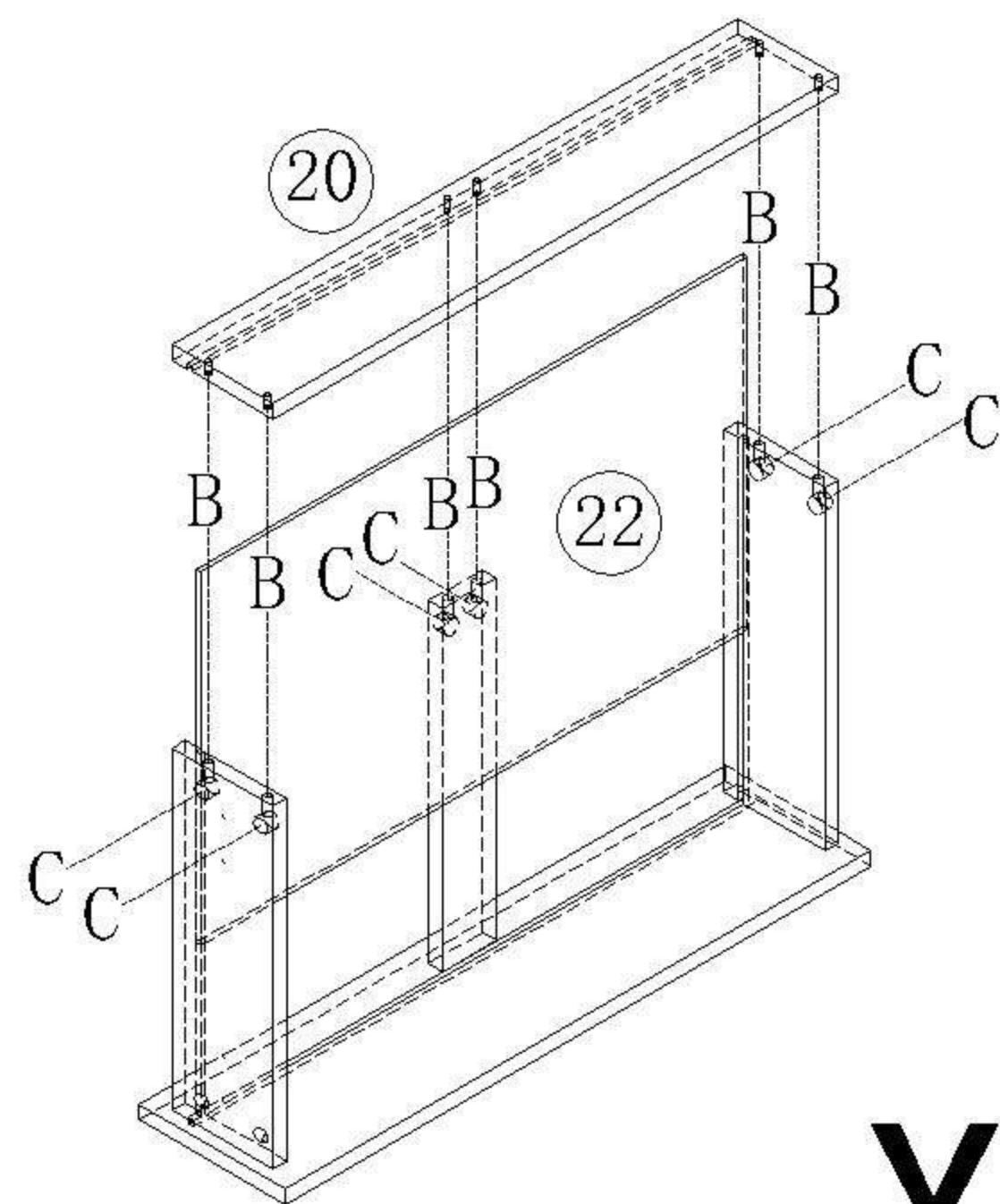
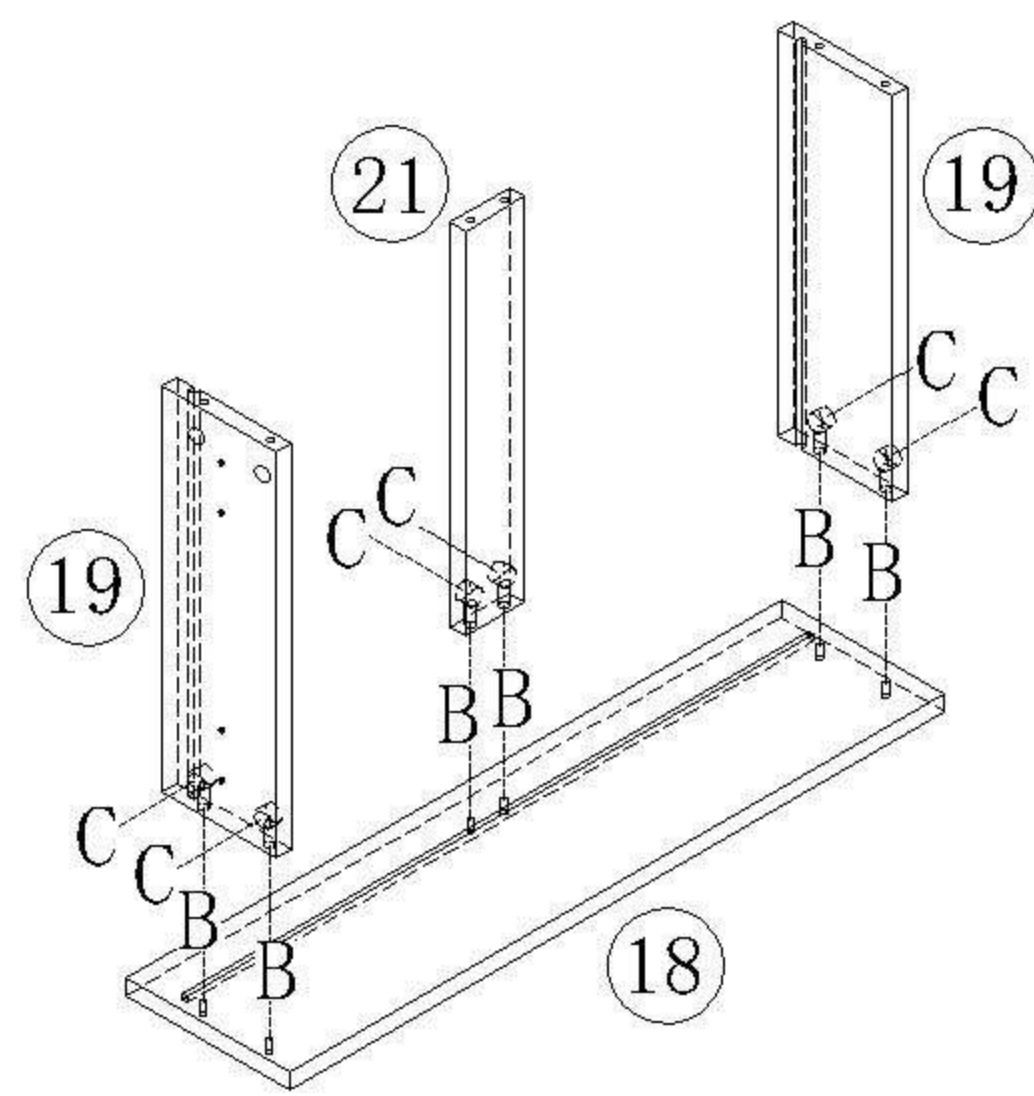
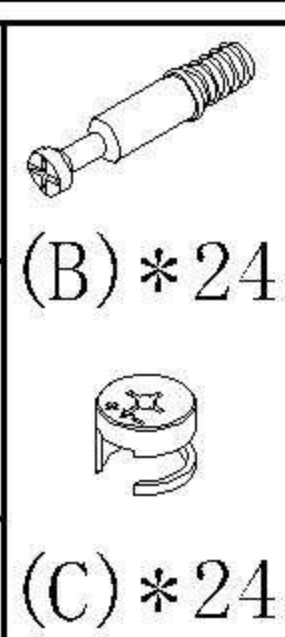
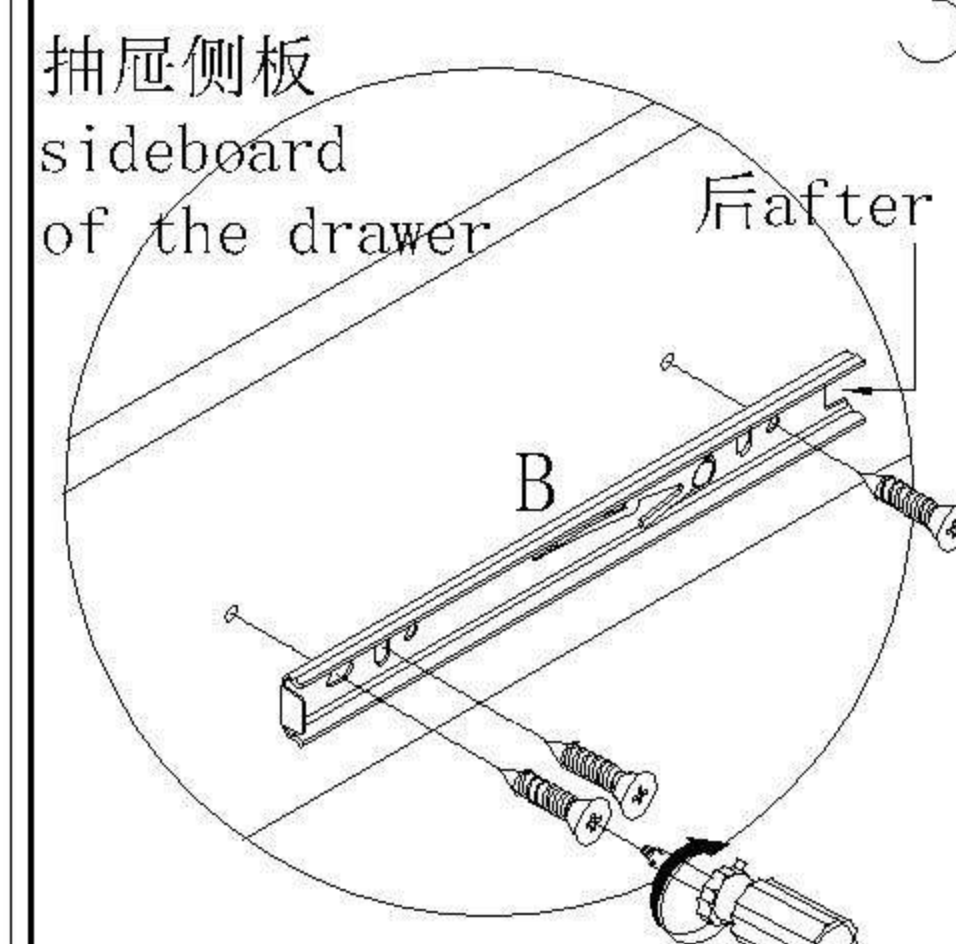
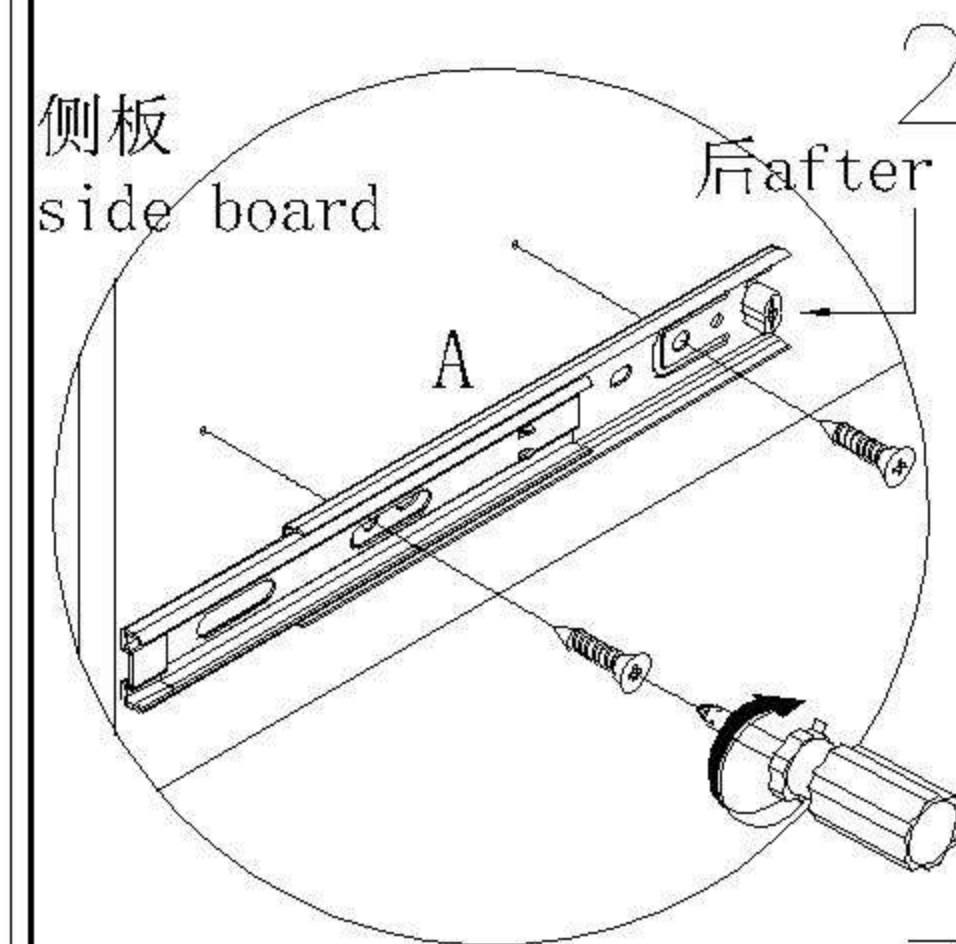
编号NO.	名称Name	编号NO.	名称Name
②①	抽屉后板Drawer back panel	①	右侧板Side board (R)
②①	抽屉底托条Drawer bottom support strip	②	左侧板Side board (L)
②②	抽屉底板Drawer bottom plate	③	顶板Top board
		④	底板Bottom board
		⑤	活动层板 Movable shelf
		⑥	左中侧板Middle side board (L)
		⑦	右中侧板Middle side board (R)
		⑧	边背拉条Side back brace
		⑨	背板Back board
		⑩	前脚条Front foot strip
		⑪	左门板组立Door board assembly (L)
		11-1	左门板Door board (L)
		11-2	门板装饰条1 Door panel decorative strip 1
		⑫	右门板组立Door board assembly (R)
		12-1	右门板Door board (R)
		12-2	门板装饰条1 Door panel decorative strip 1
		12-3	门板装饰条2 Door panel decorative strip 2
		12-4	门板装饰条3 Door panel decorative strip 3
		⑬	附柜上层板Upper panel of attached cabinet
		⑭	附柜左侧板Left side panel of the attached cabinet
		⑮	附柜右侧板Right side panel of the attached cabinet
		⑯	侧柱Jamb
		⑰	拉条Brace
		⑱	抽屉面板Drawer panel
		⑲	抽屉侧板Drawer side panel

安装方法/
Installation method

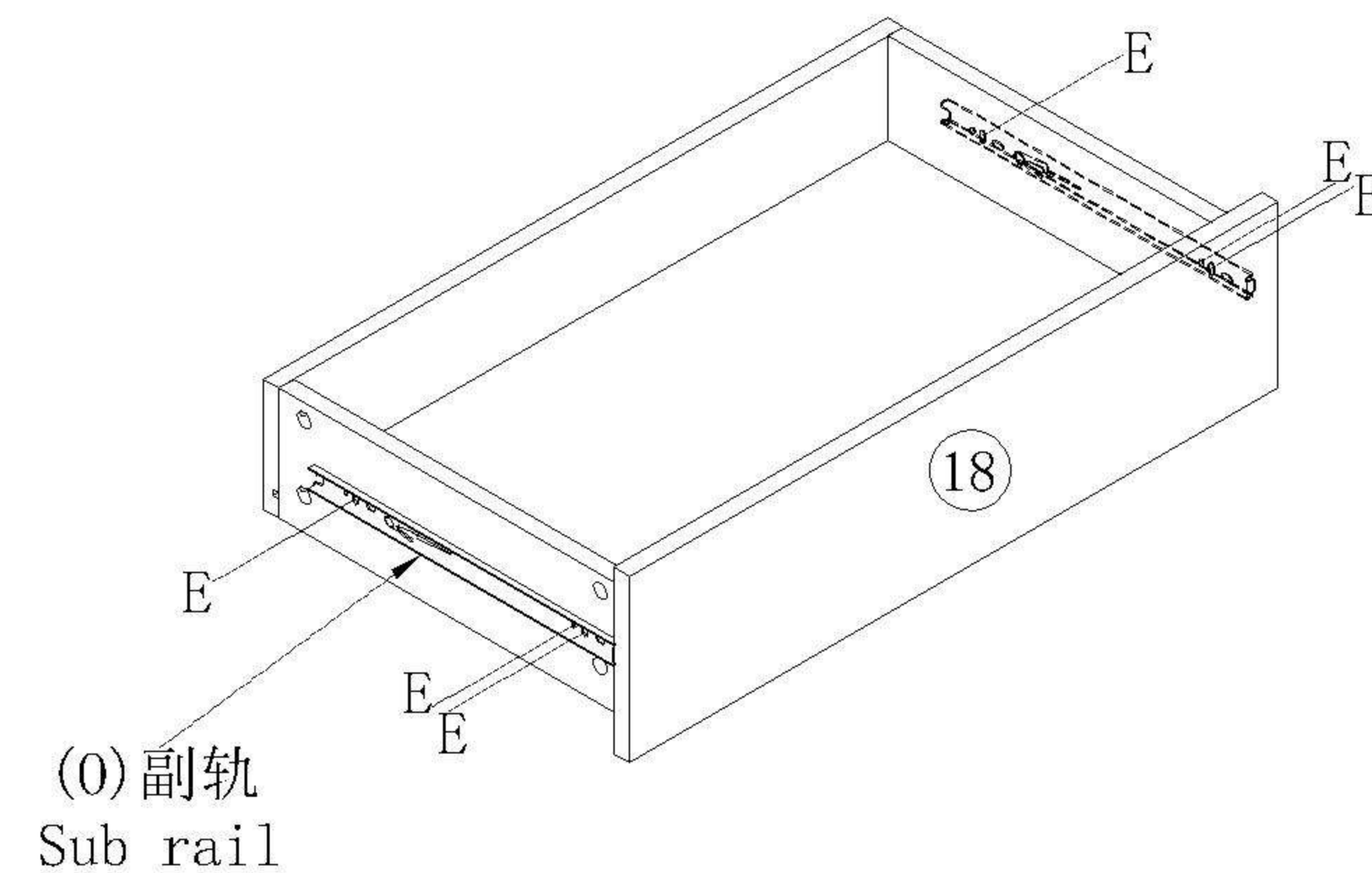
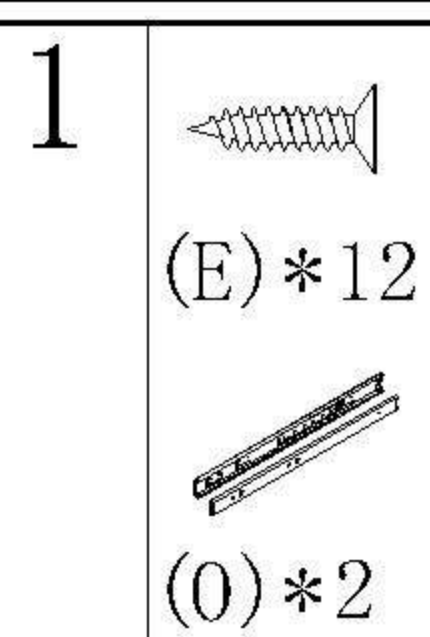
1
阀门开关(下压为开)
Valve switch
(press down to open)



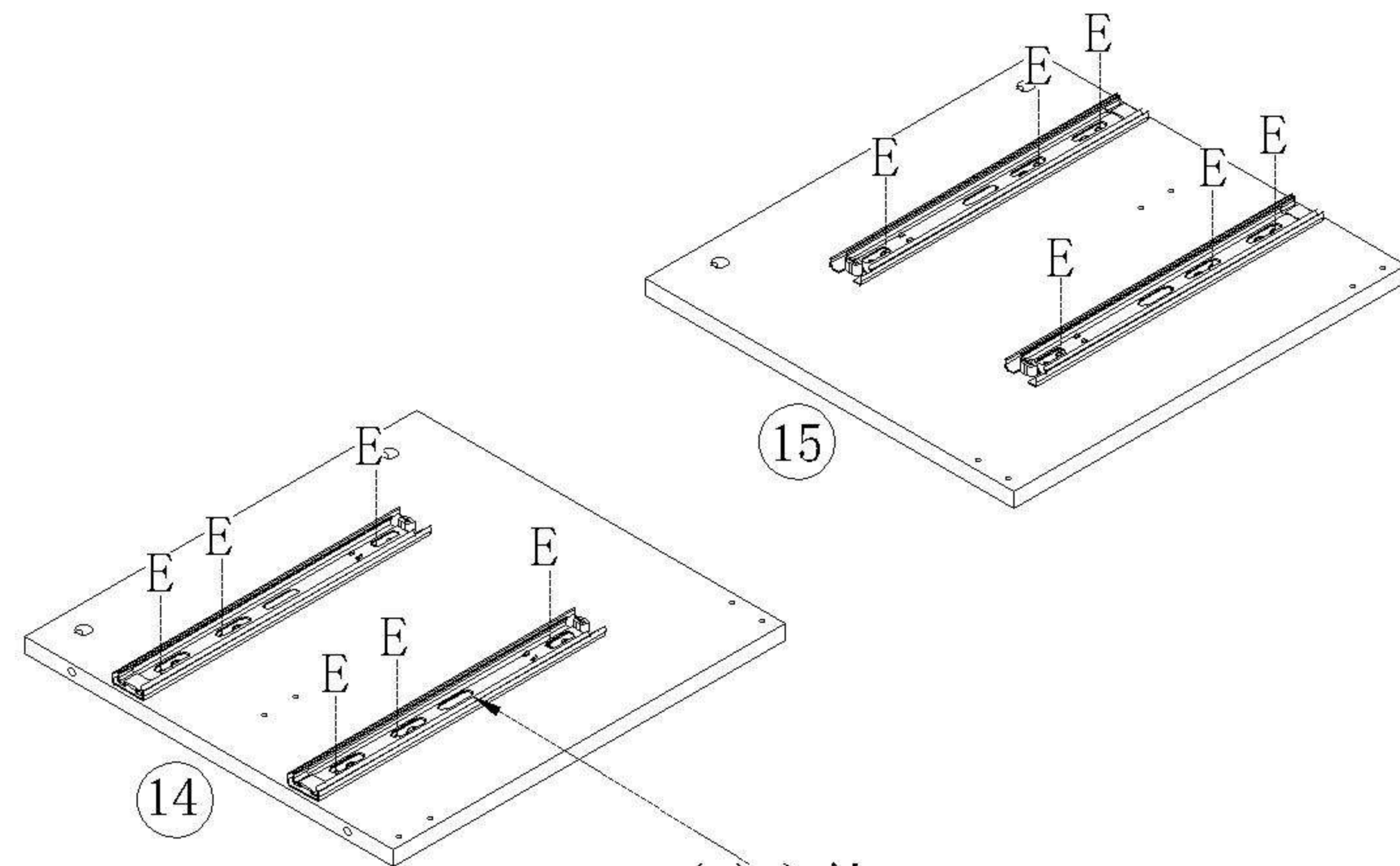
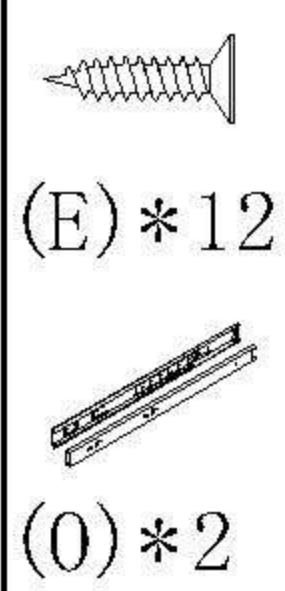
注: 先将A与B拆下来
Note: remove a and B first



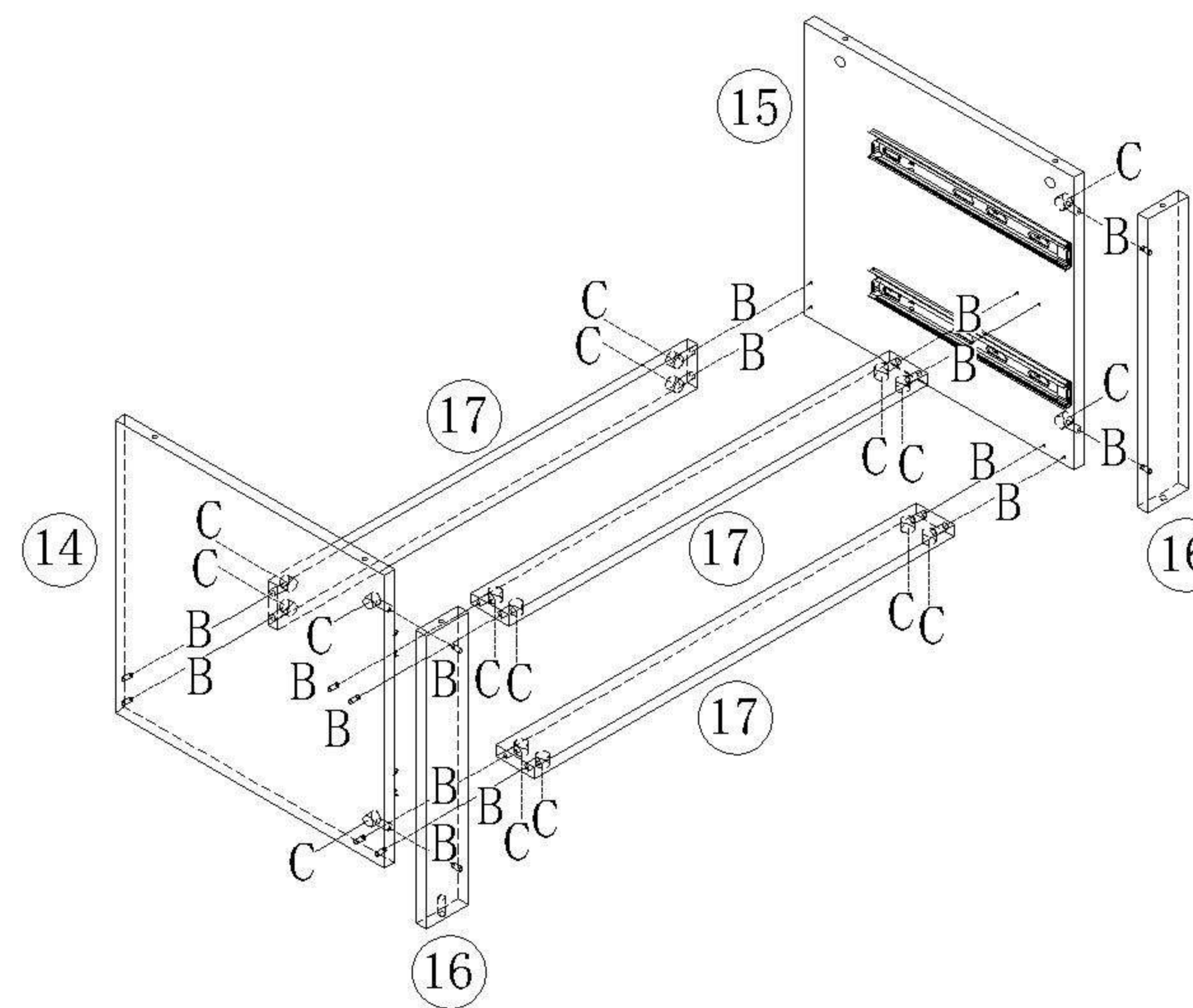
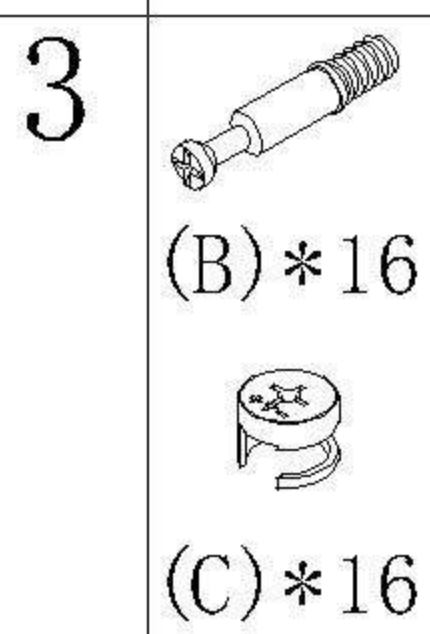
X2



X2



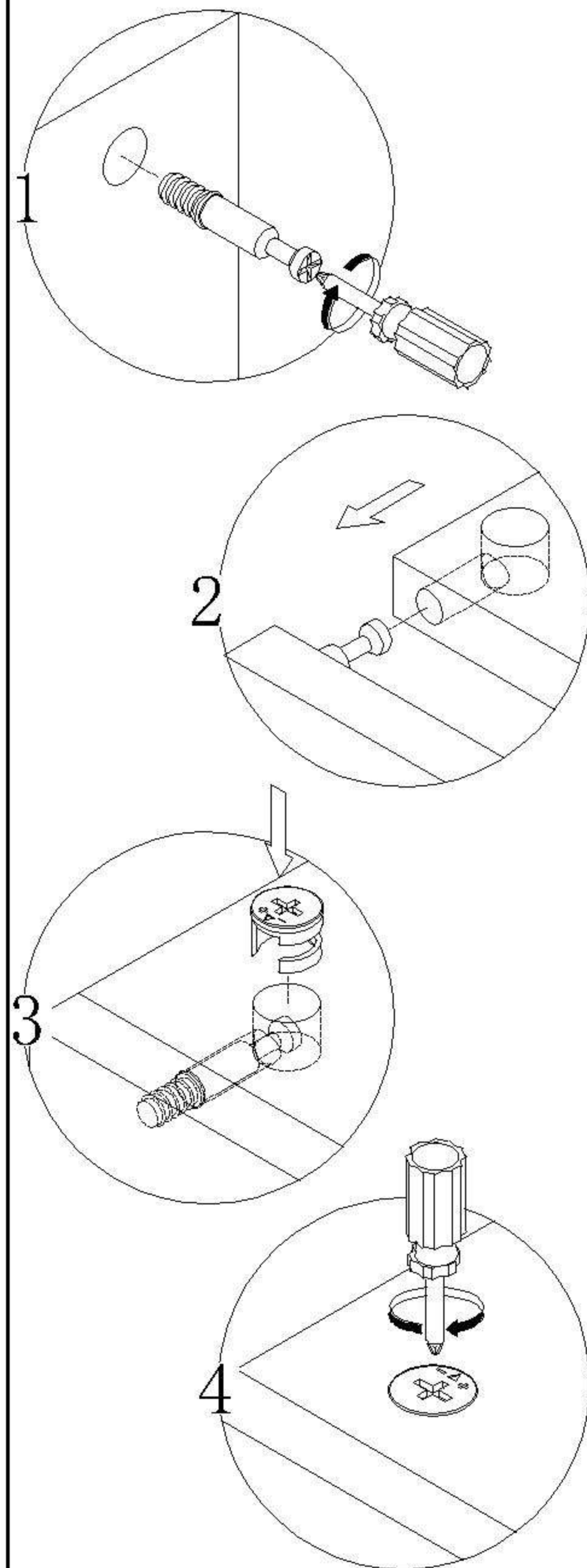
(O) 主轨
Main rail



4

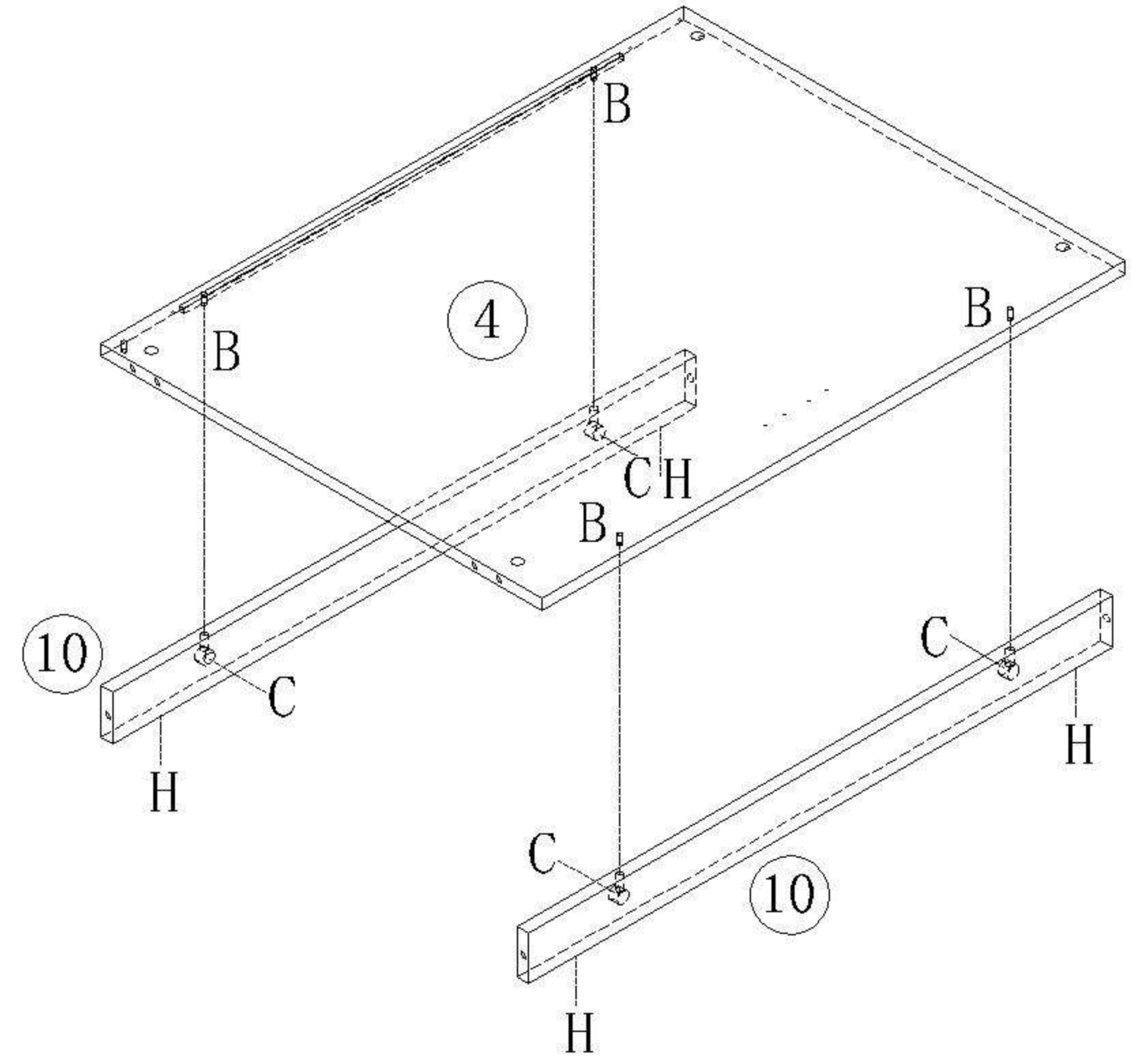
YZ1D-A 六门衣柜2.0m

安装方法/
Installation method



大二合一
two-in-one

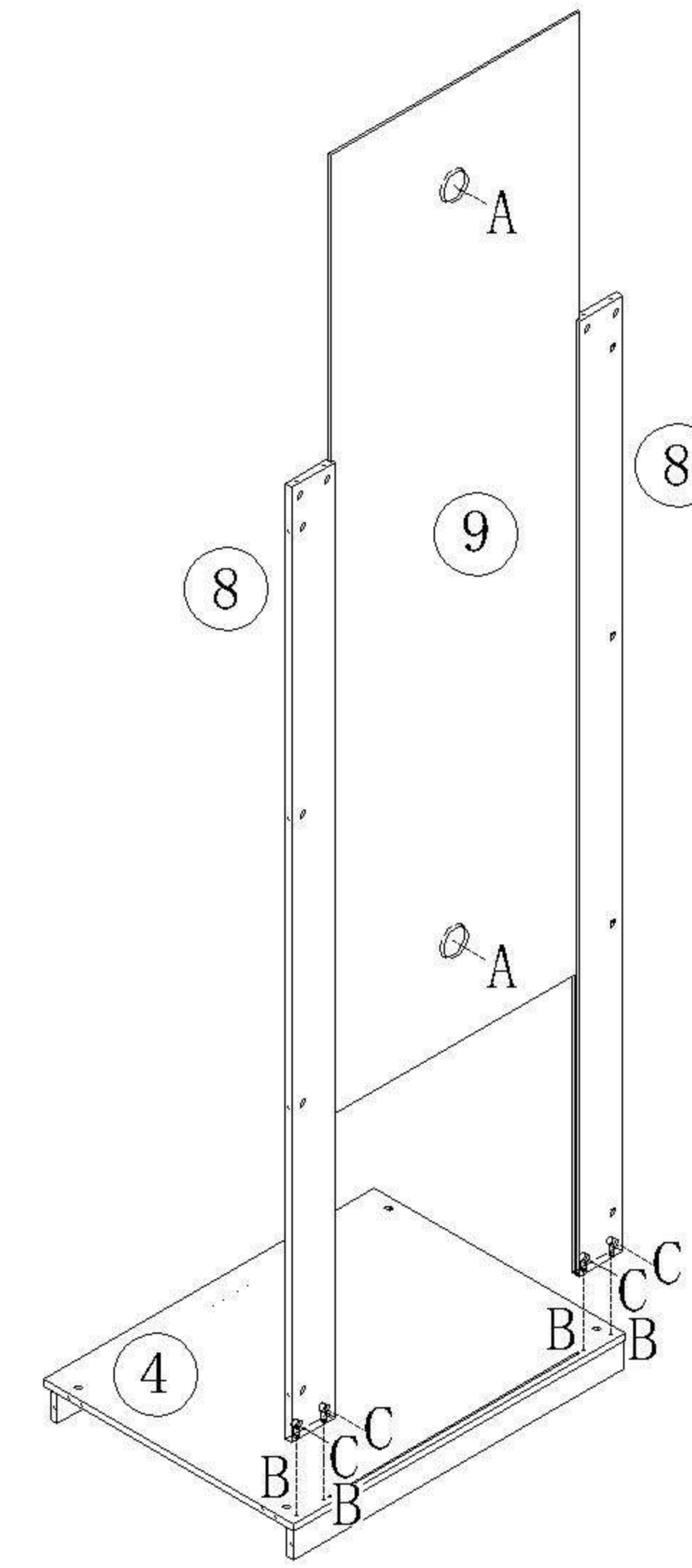
- (B)*12
- (C)*12
- (H)*12



X3

5

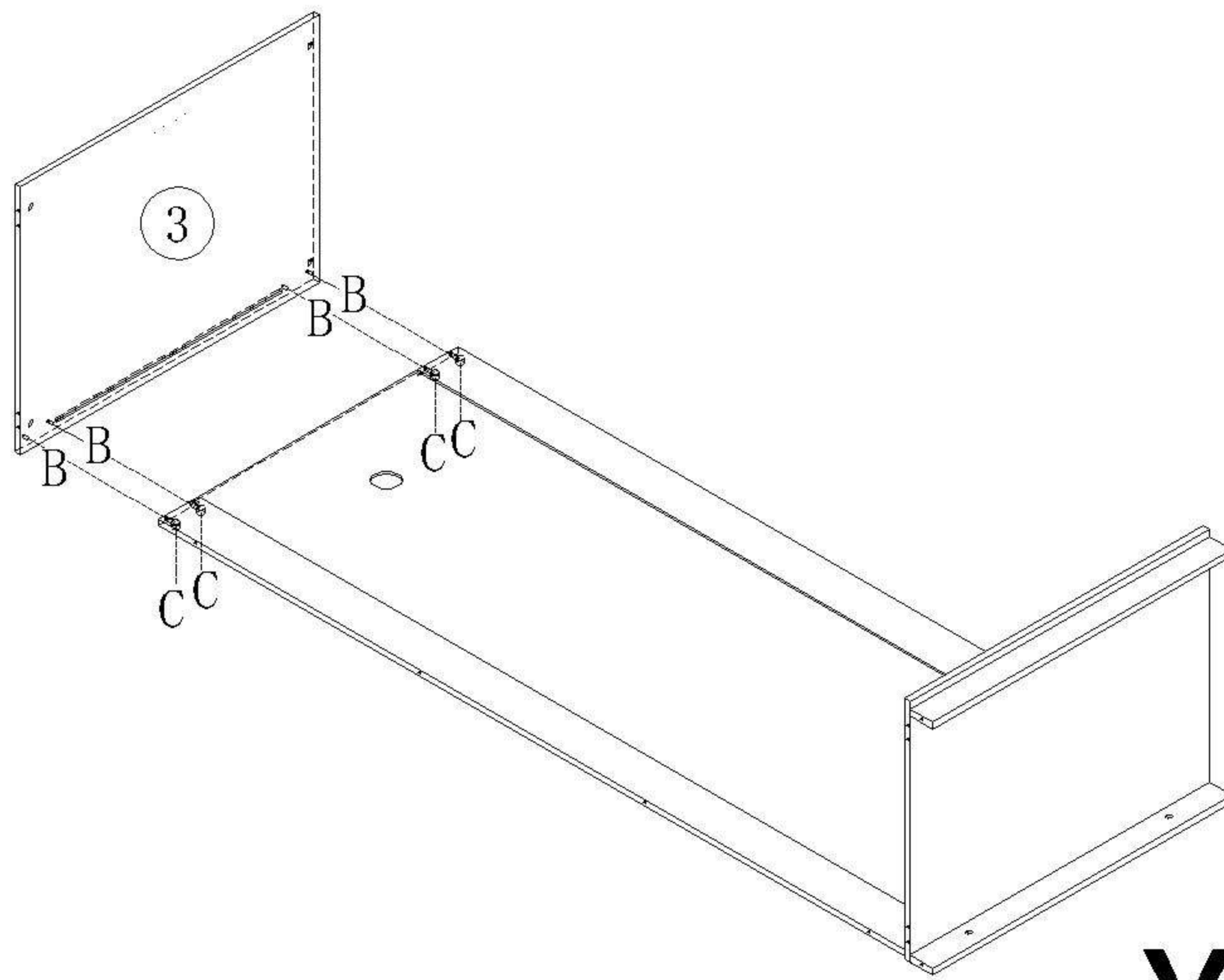
- (A)*6
- (B)*12
- (C)*12



X3

6

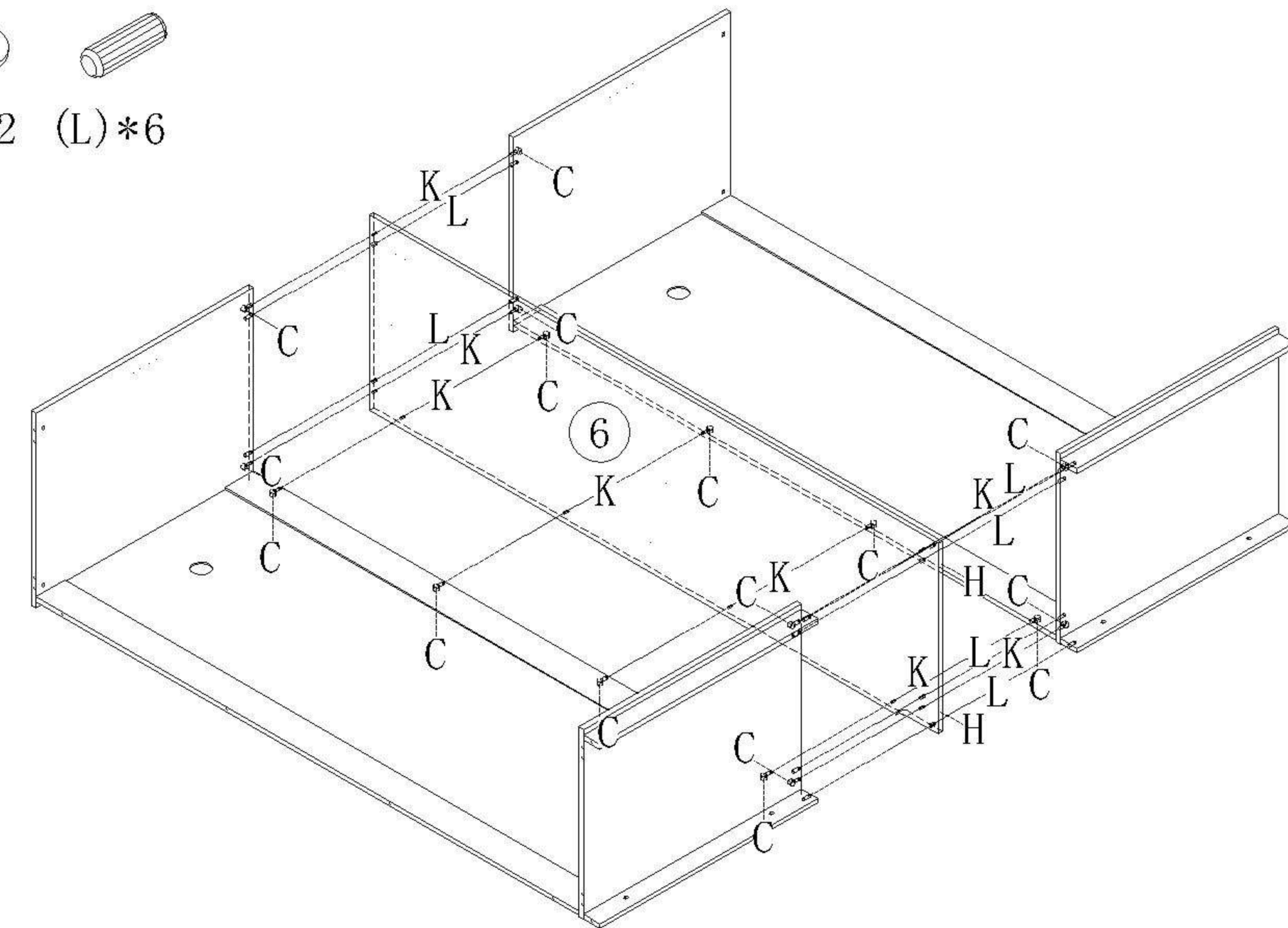
- (B)*12
- (C)*12



X3

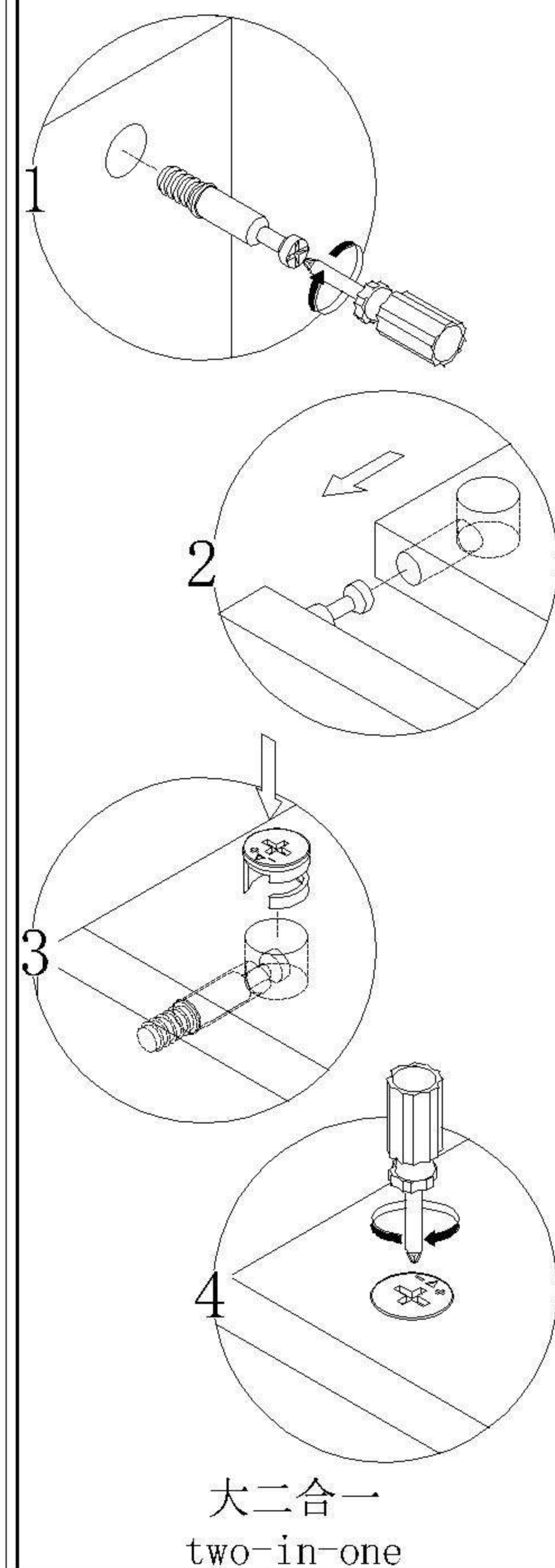
7

- (C)*16 (K)*8
- (H)*2 (L)*6

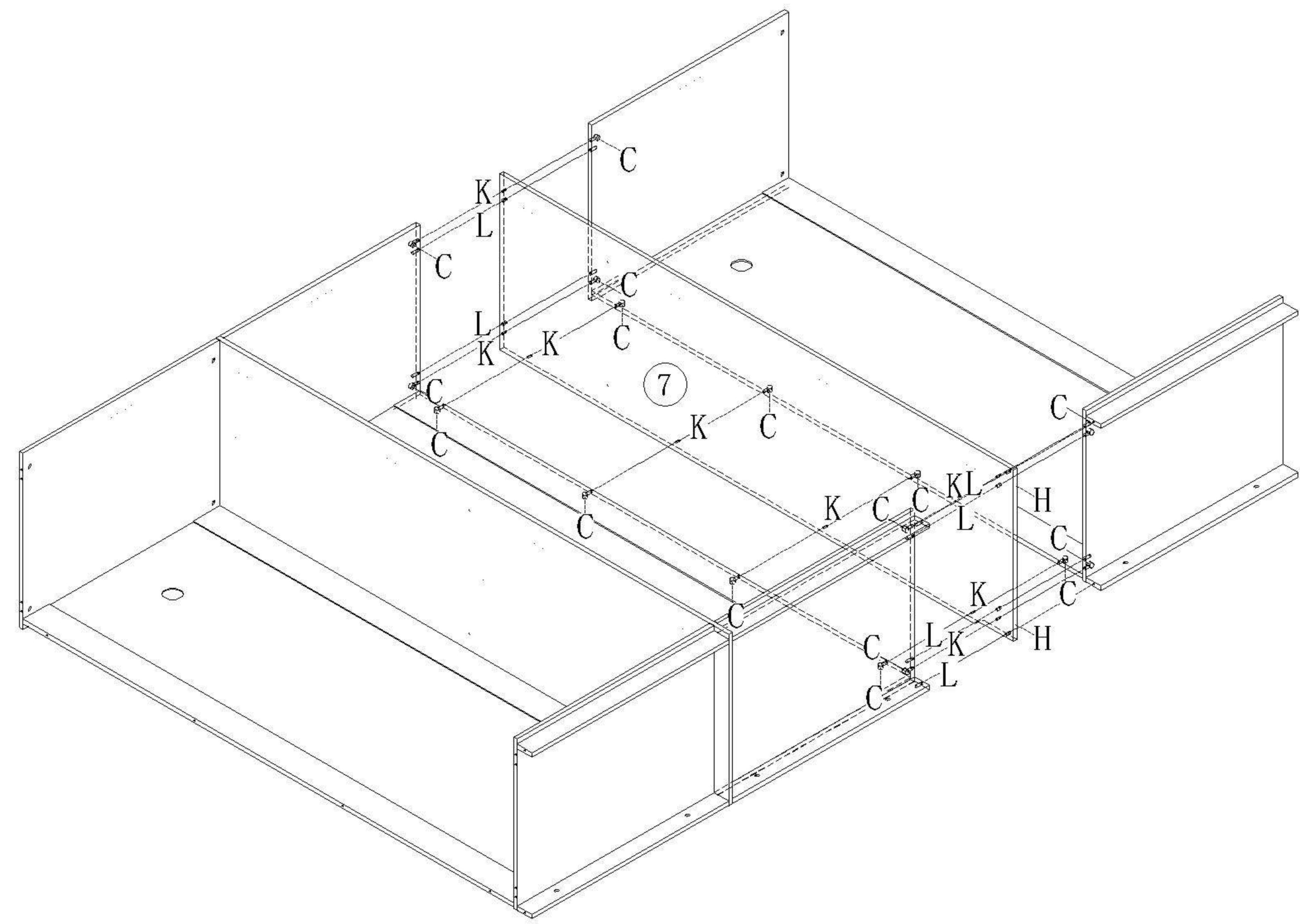


8

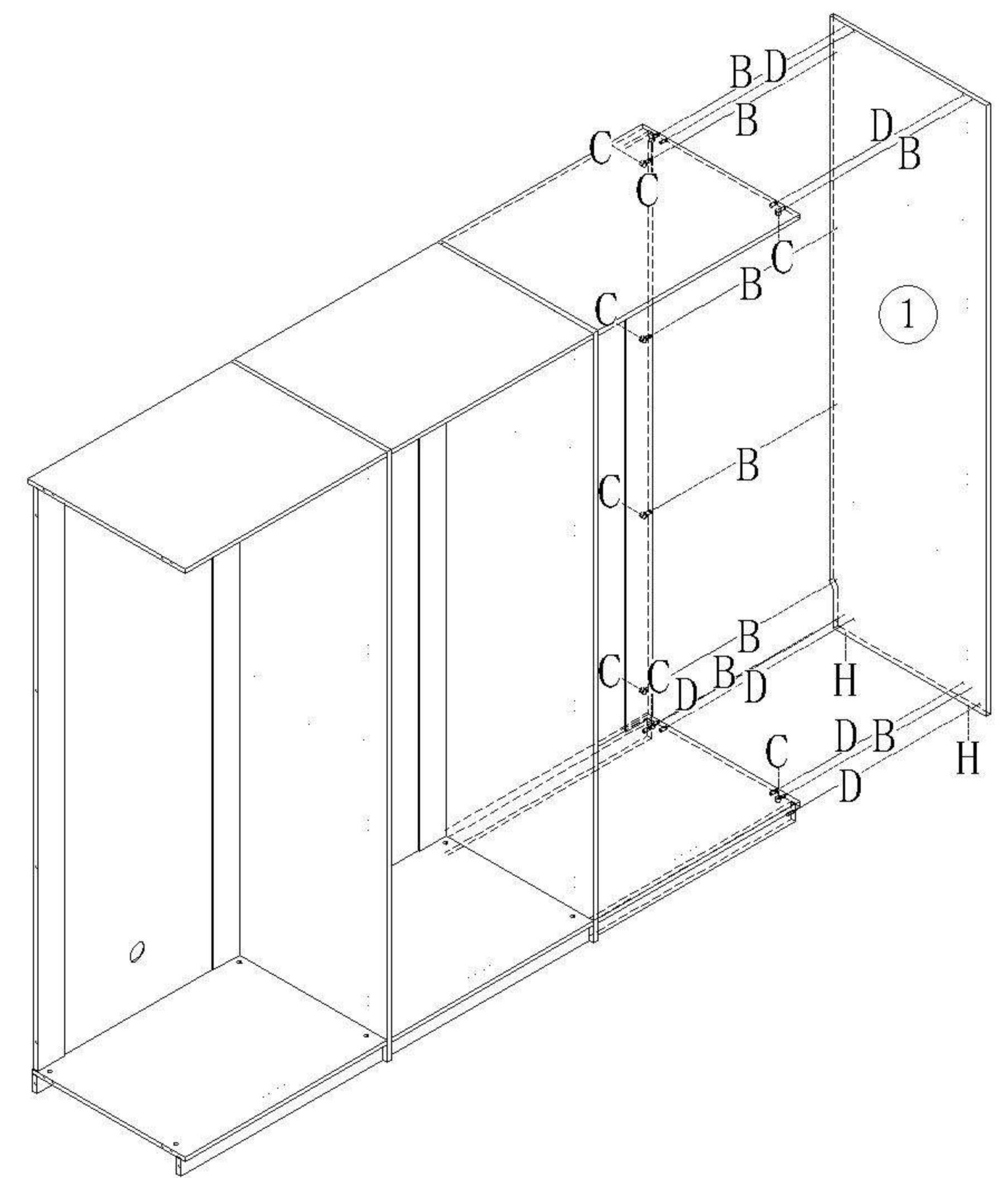
安装方法/
Installation method



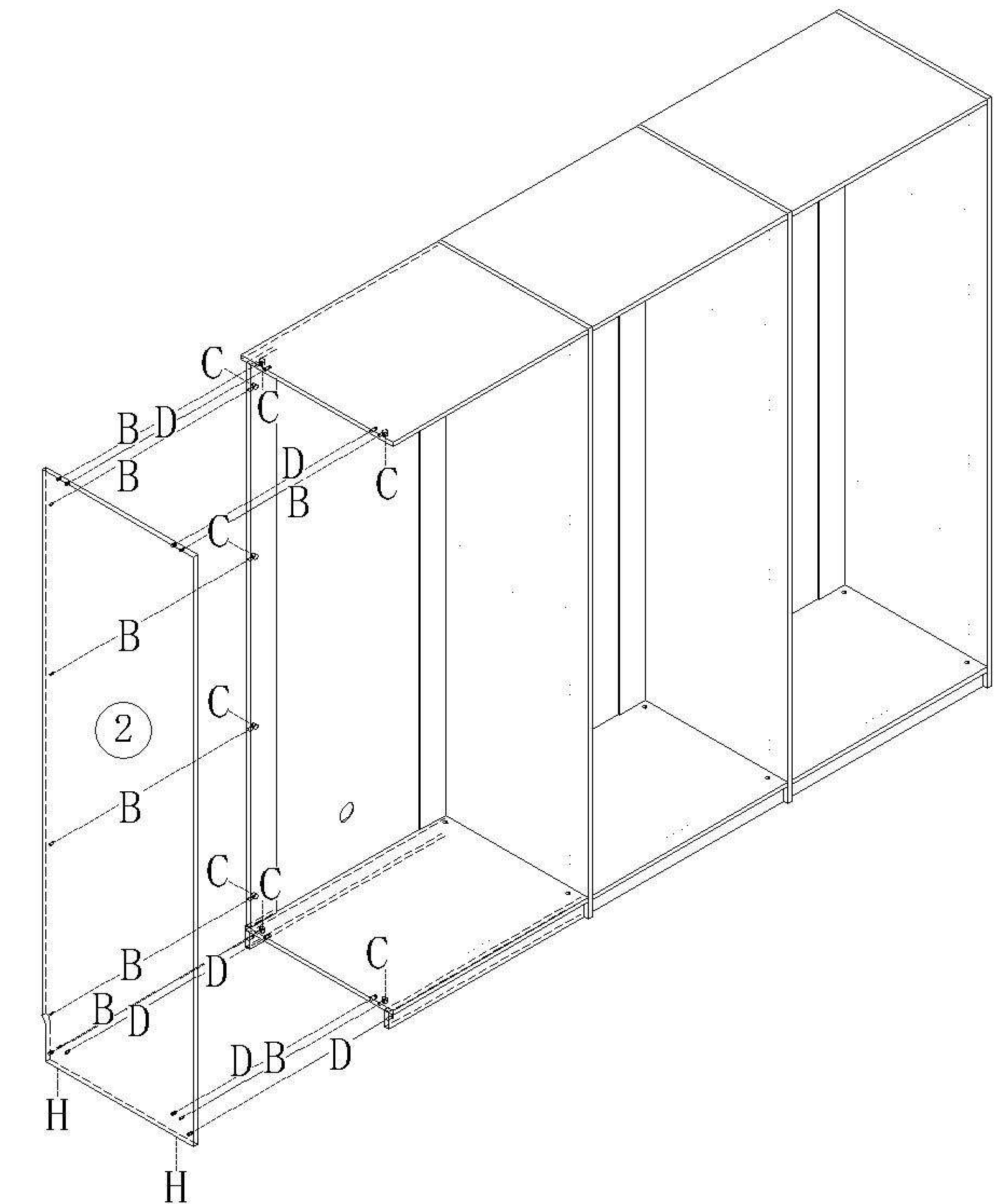
- (C)*16
- (H)*2
- (K)*8
- (L)*6



- (B)*8
- (C)*8
- (D)*6
- (H)*2

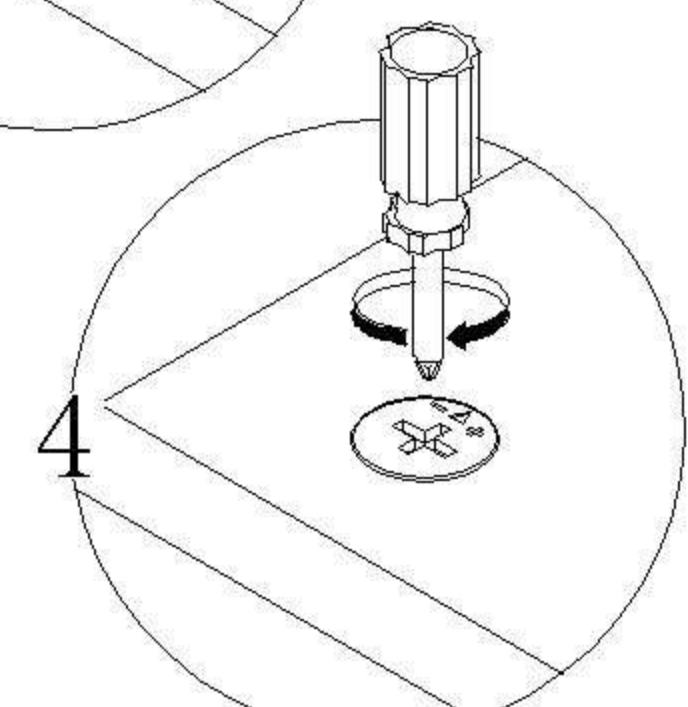
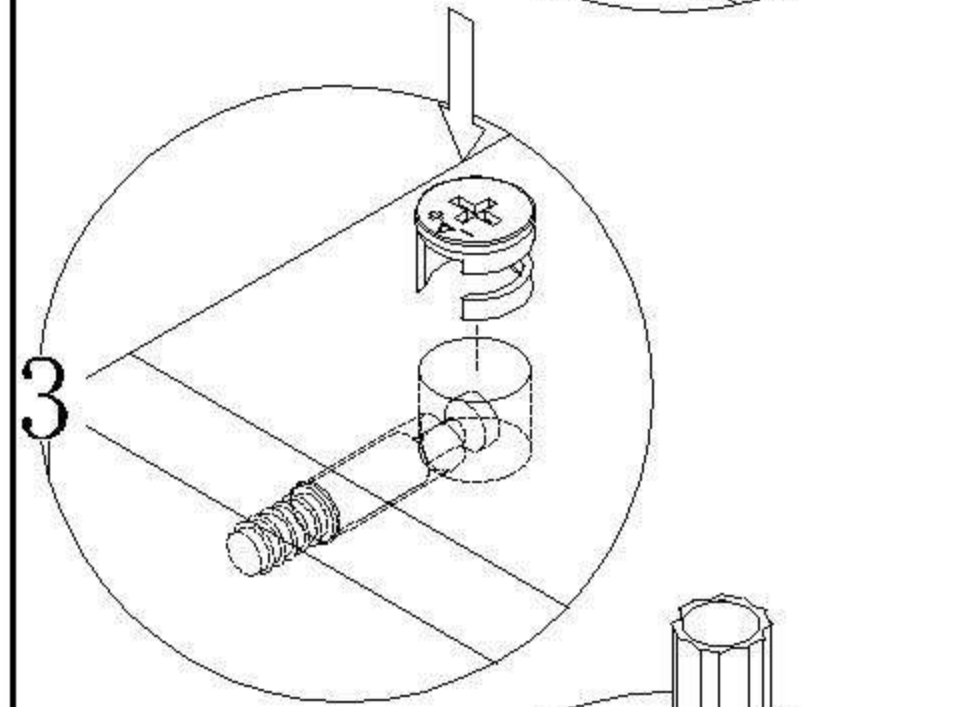
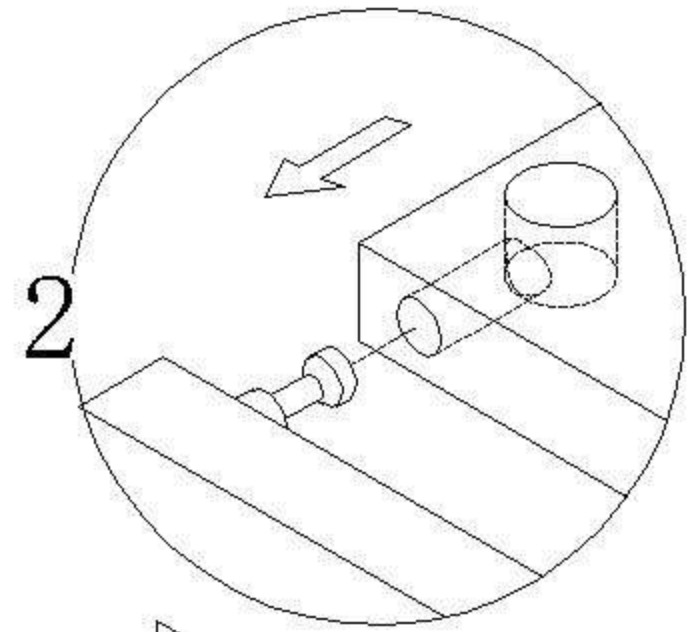
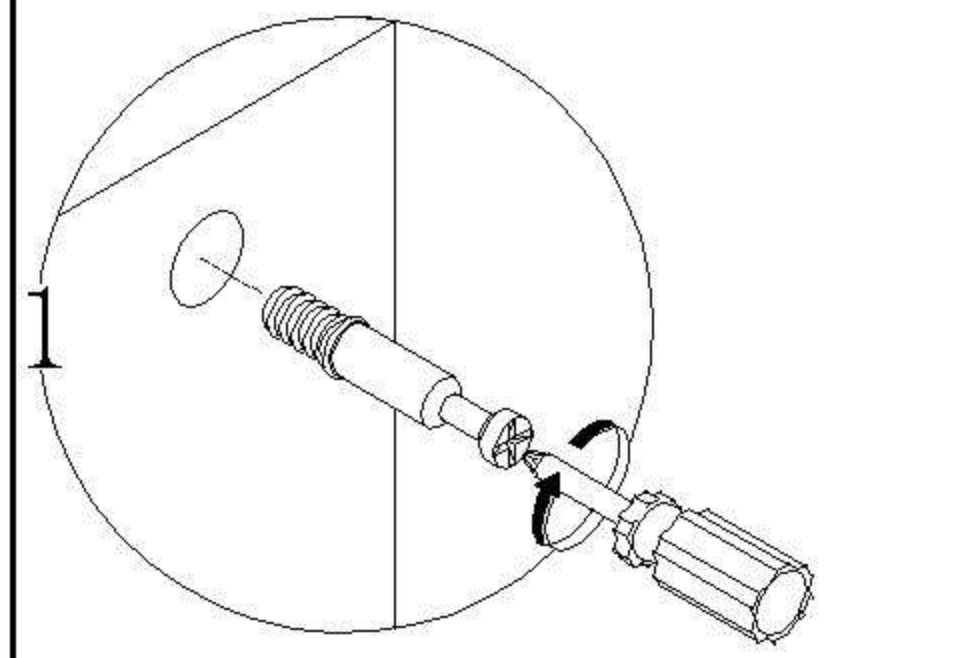


- (B)*8
- (C)*8
- (D)*6
- (H)*2

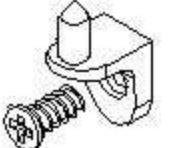


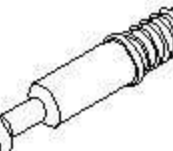

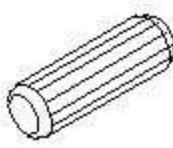
YZ1D-A 六门衣柜2.0m

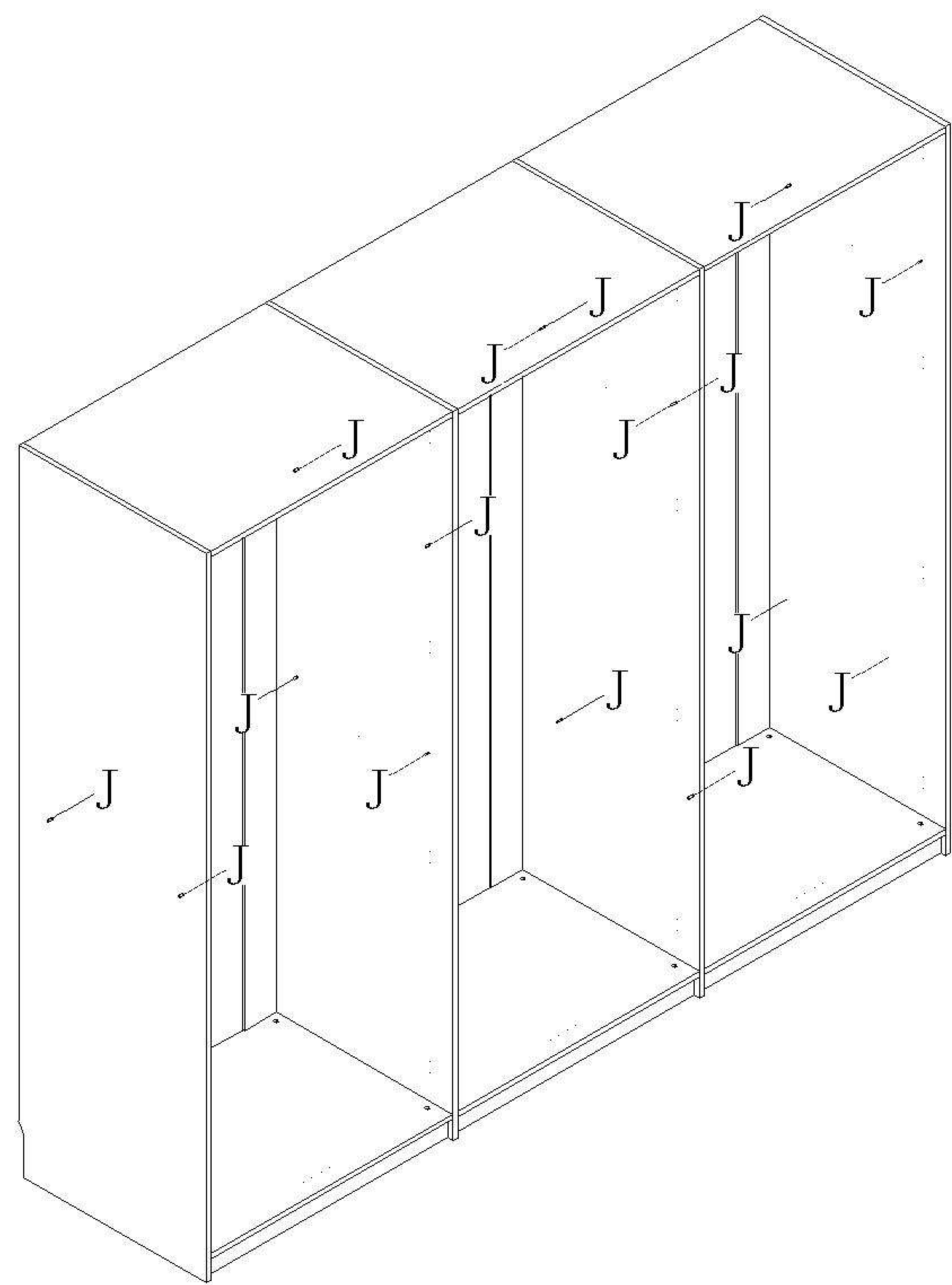
安装方法/
Installation method



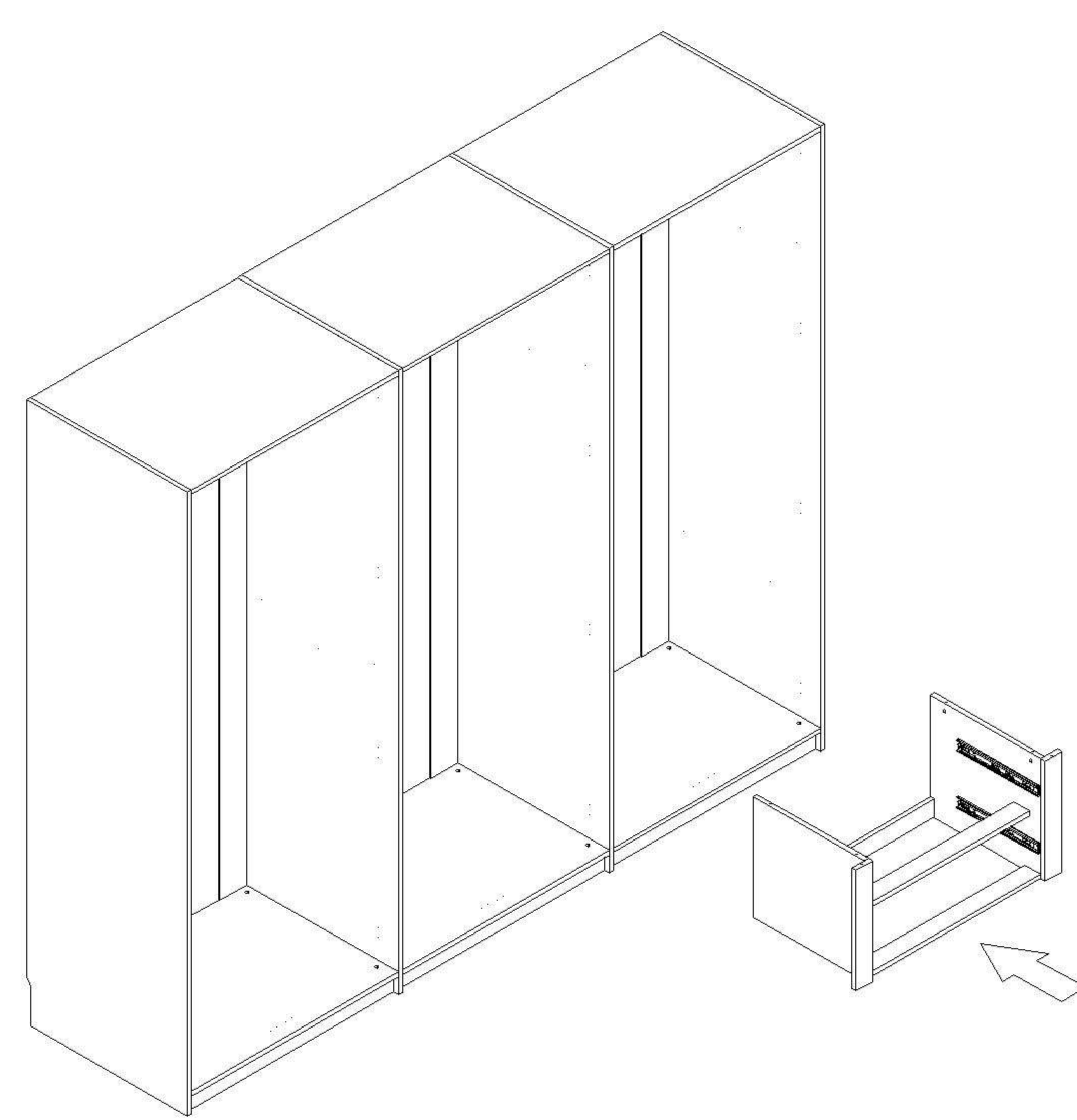
大二合一
two-in-one

 (J)*16

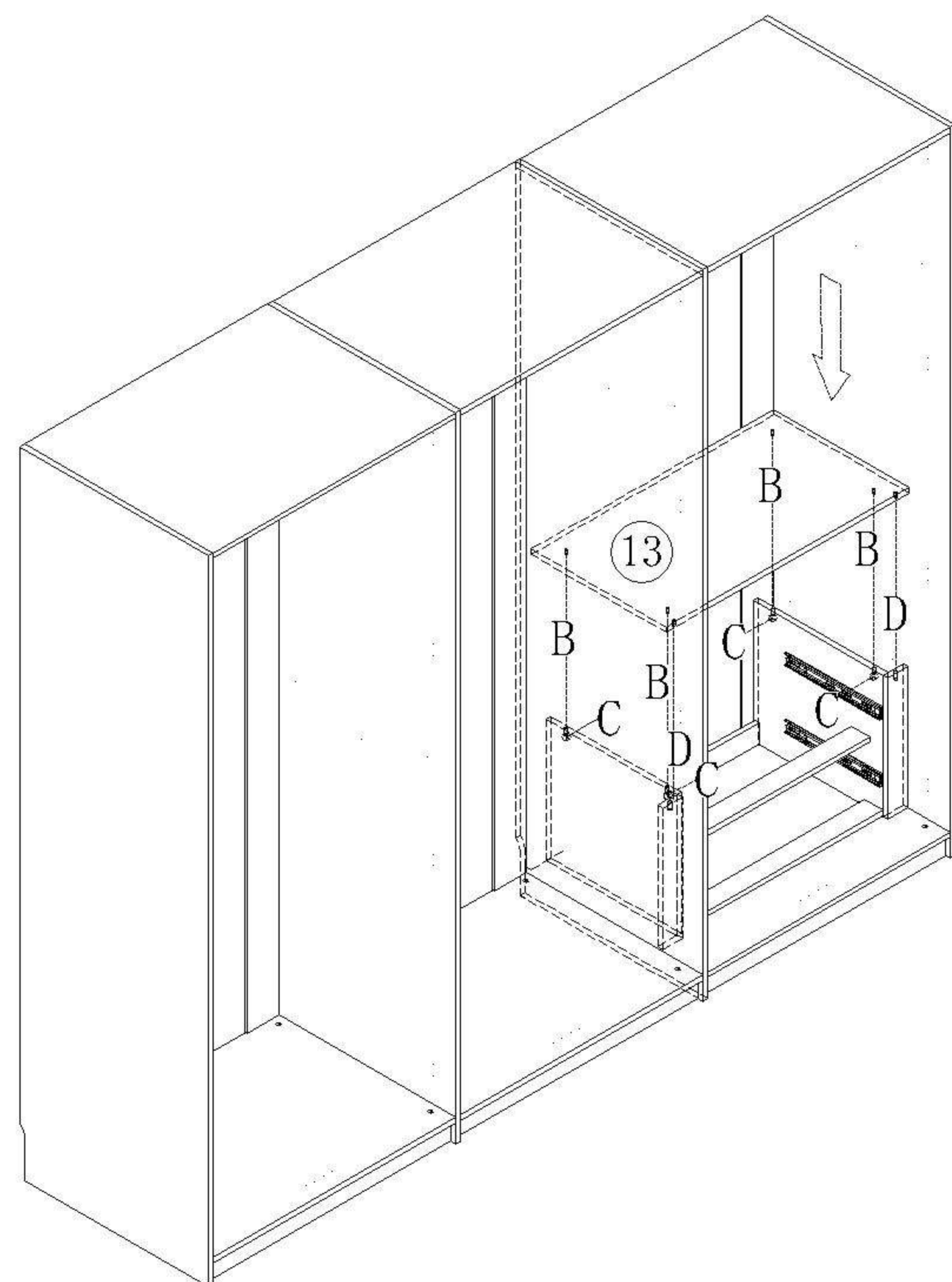
 (B)*4
 (C)*4
 (D)*2



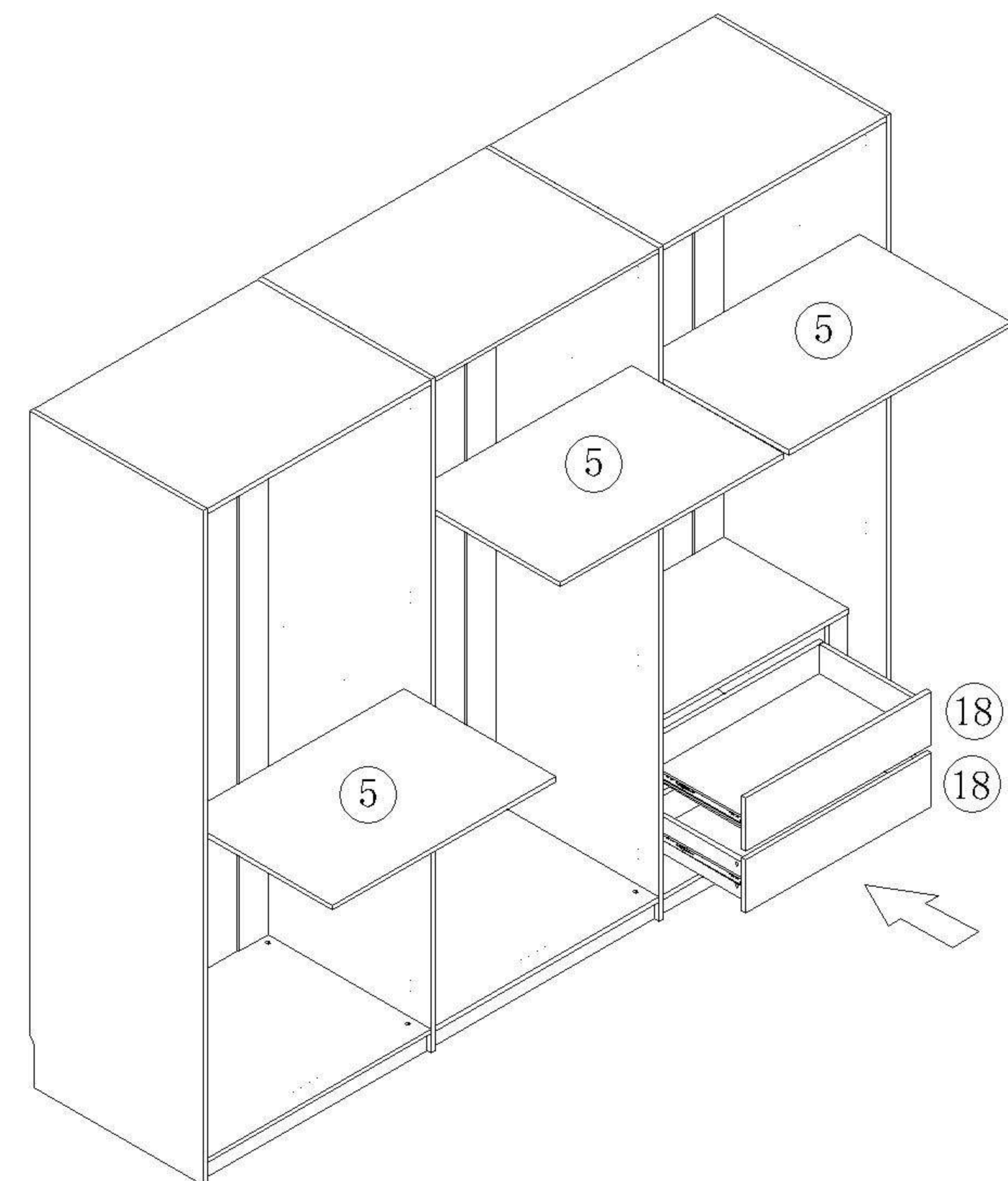
12



13



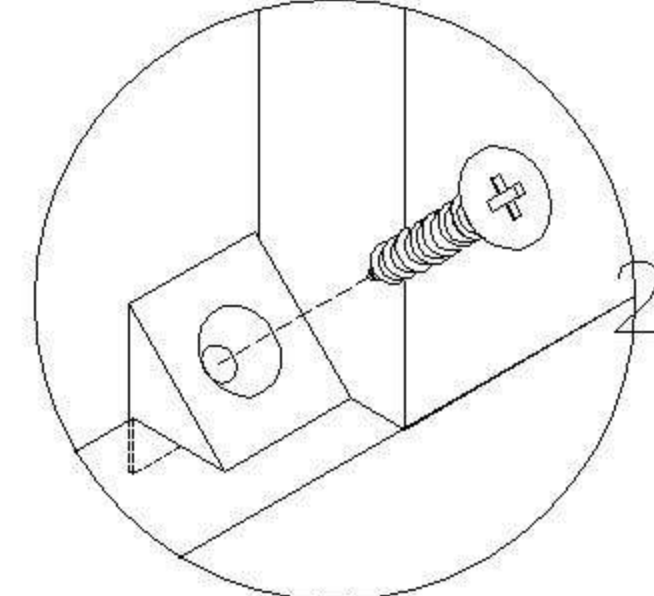
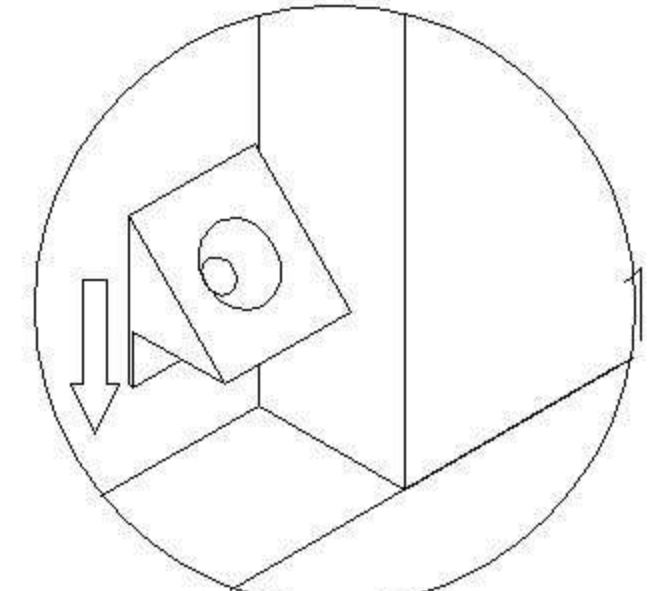
14



15

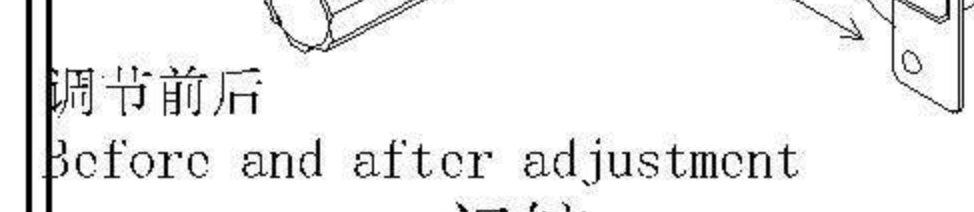
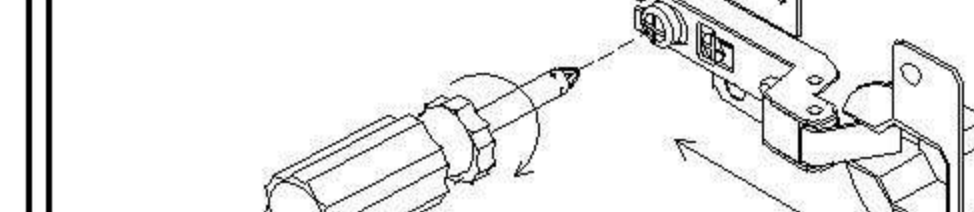
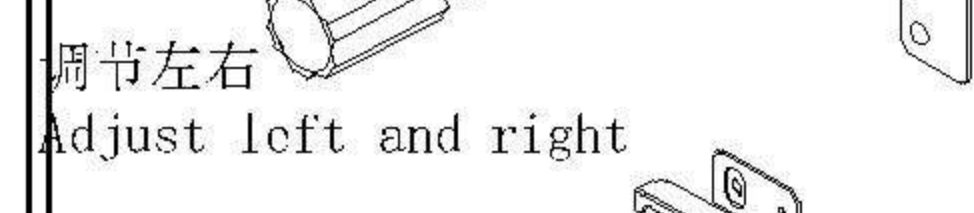
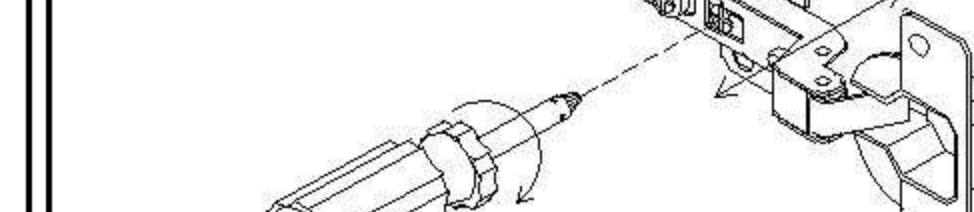
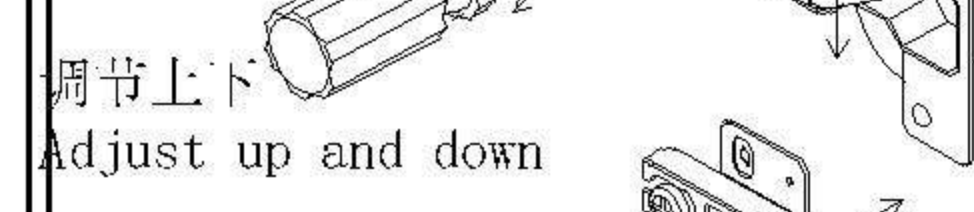
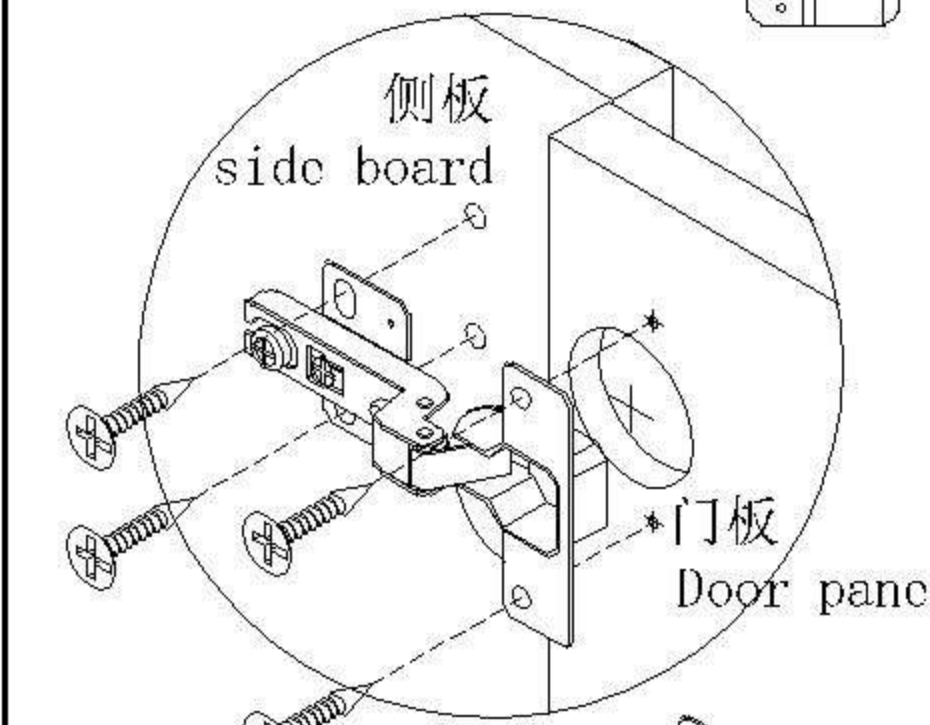
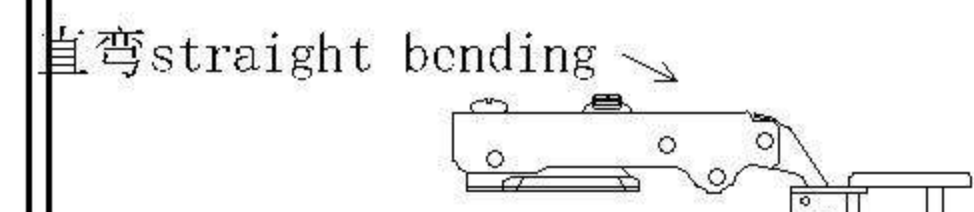
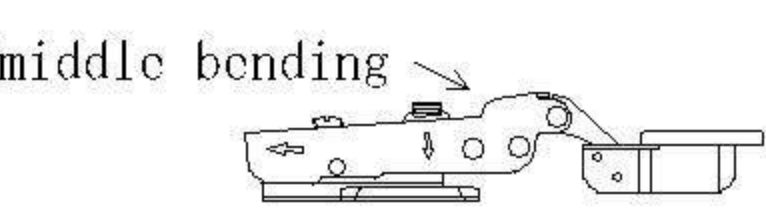
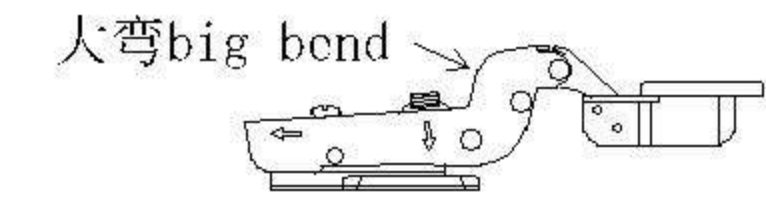
YZ1D-A 六门衣柜2.0m

安装方法/
Installation method

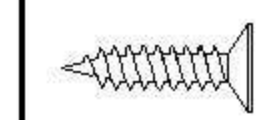


背板扣

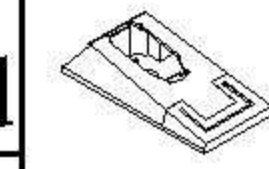
Back Plate Buckle-White



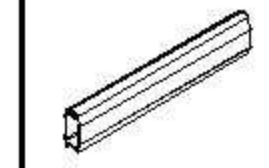
门铰
Hinge



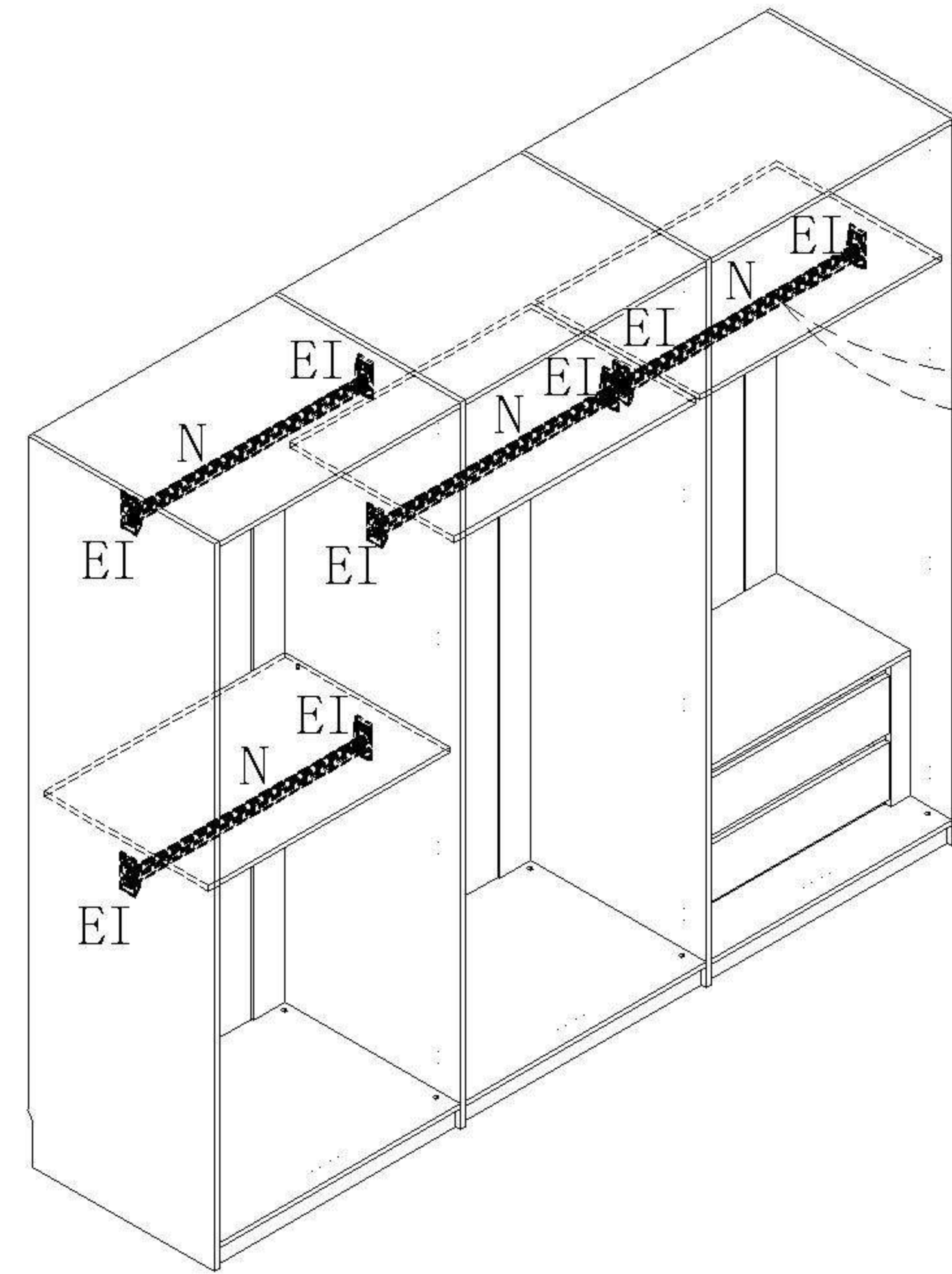
(E)*16



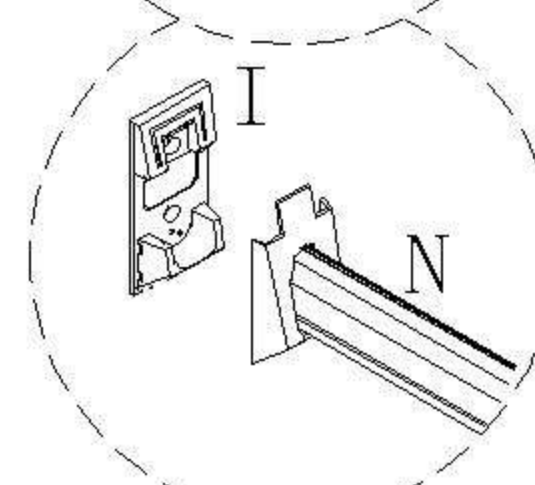
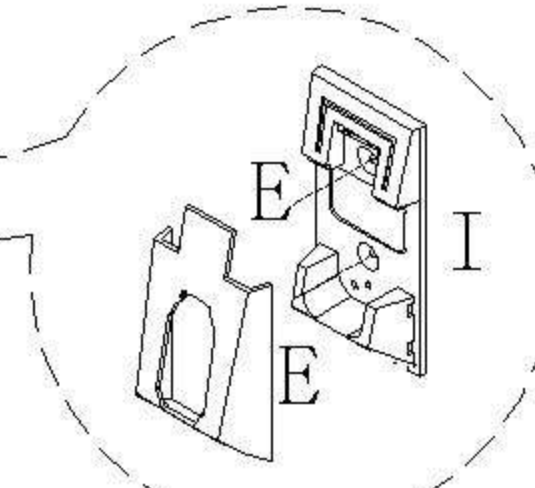
(I)*8



(N)*4

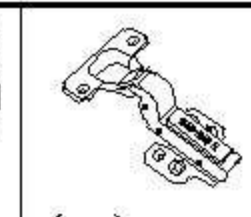


将五金I的盖子拆开再锁
Remove the cover of
hardware I and lock it



将五金 N 套进五金I的盖子
再盖在五金I的底座上
Put hardware N into the
cover of hardware I and
then cover the base of
hardware I

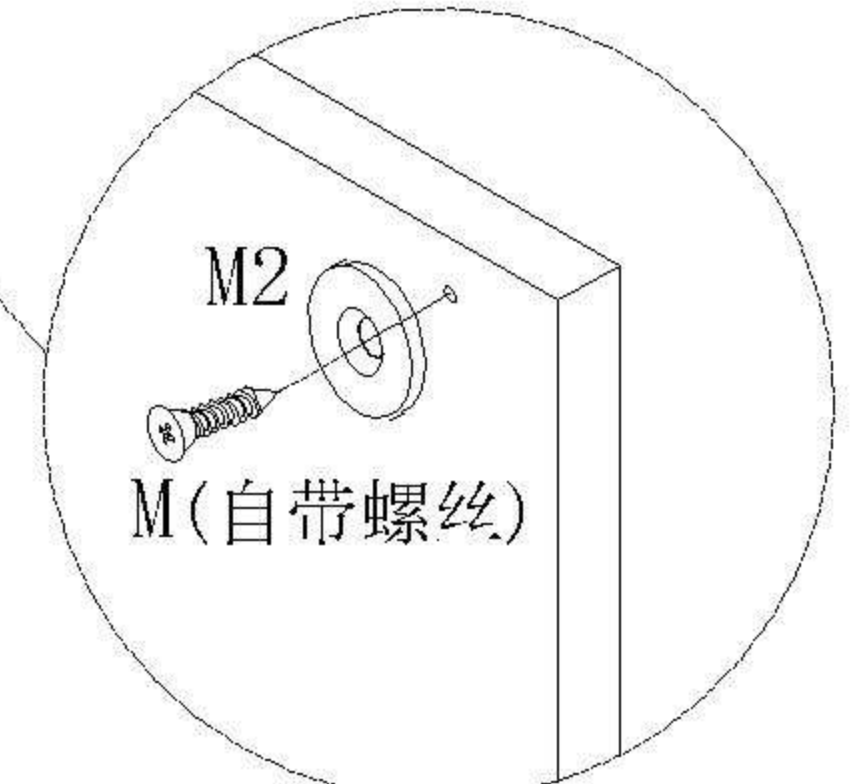
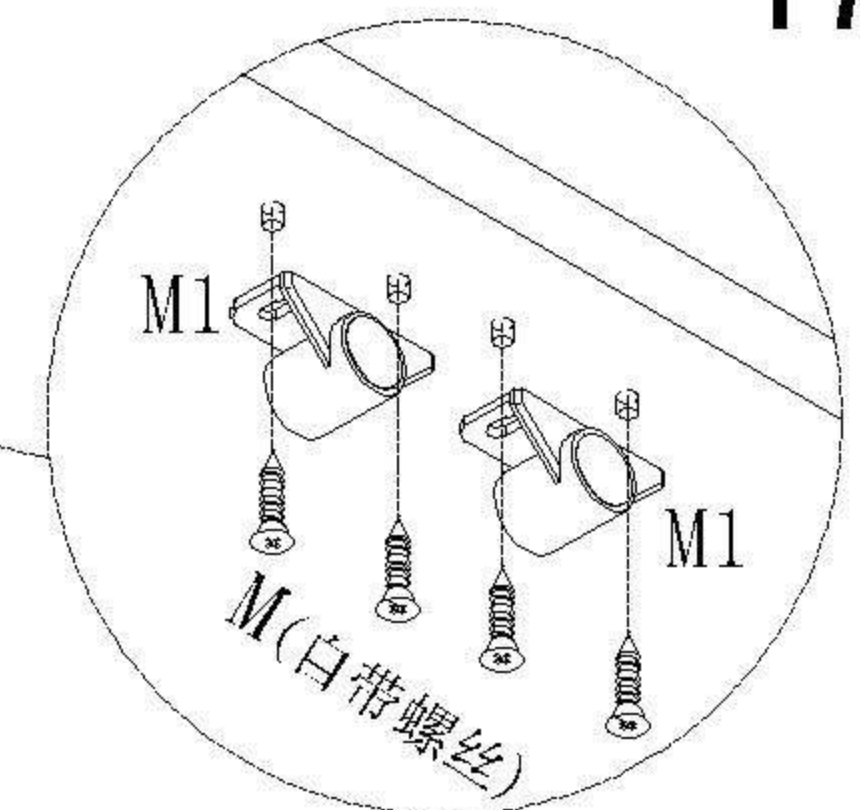
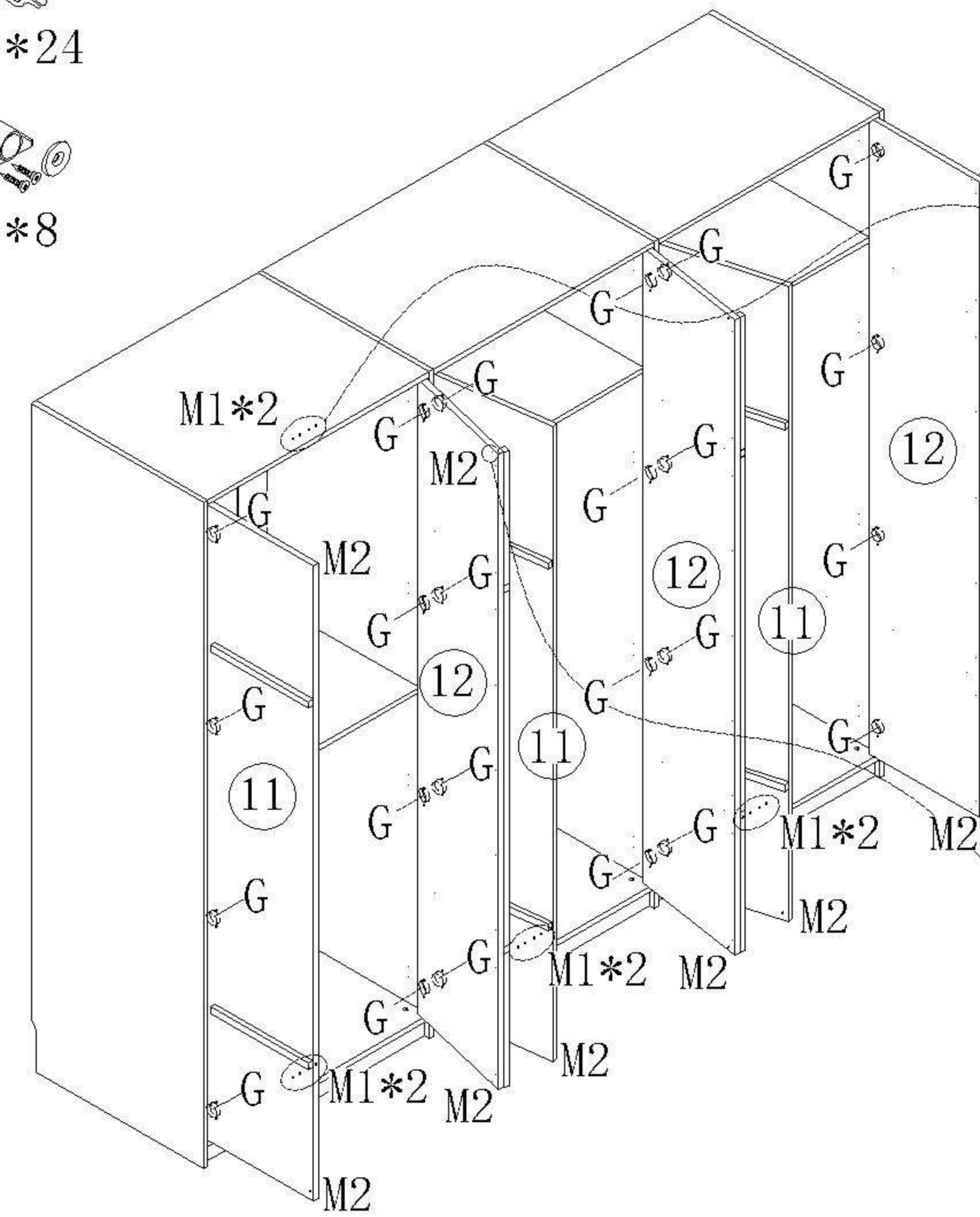
16



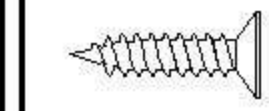
(G)*24



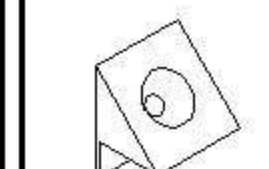
(M)*8



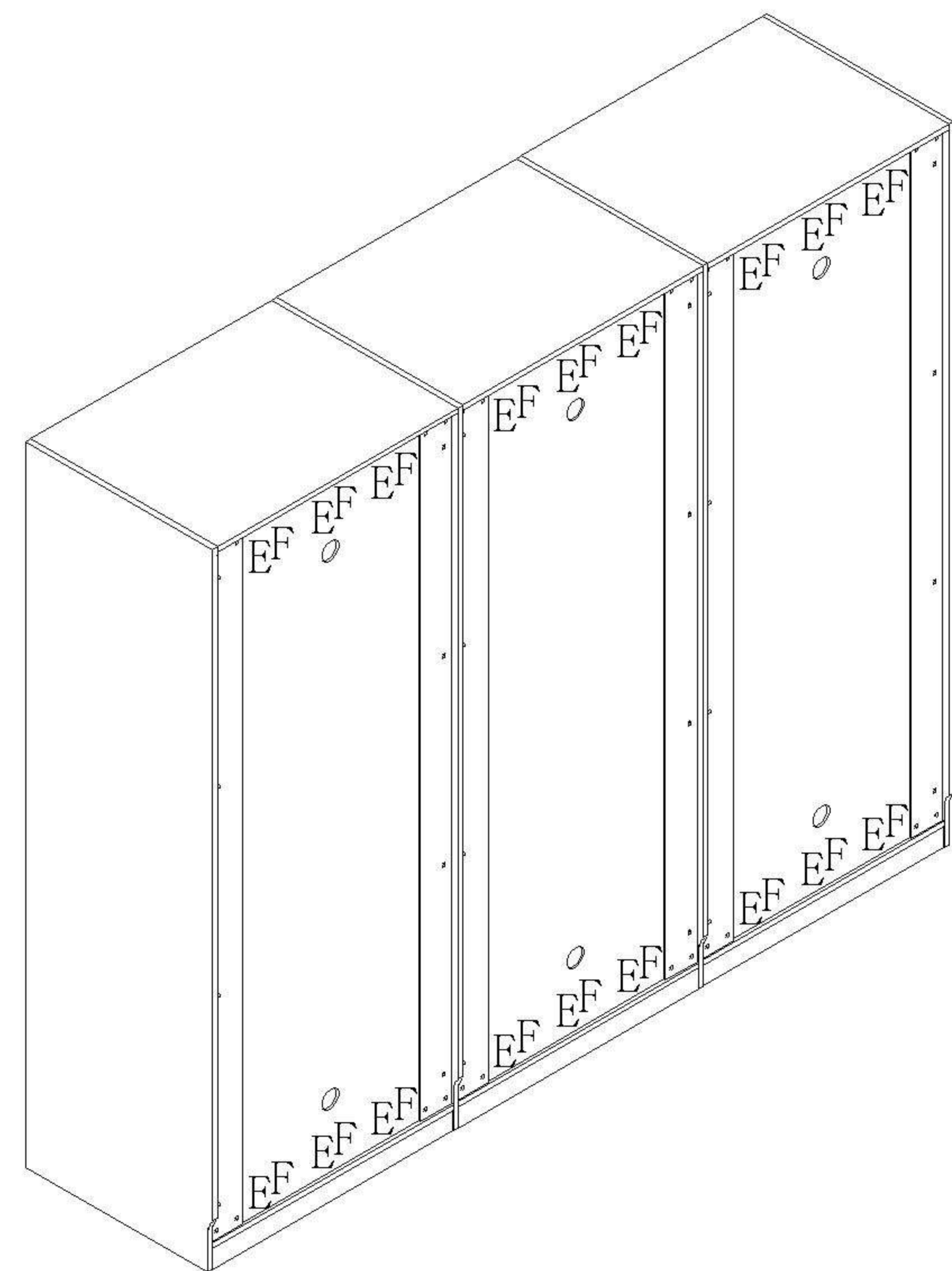
17



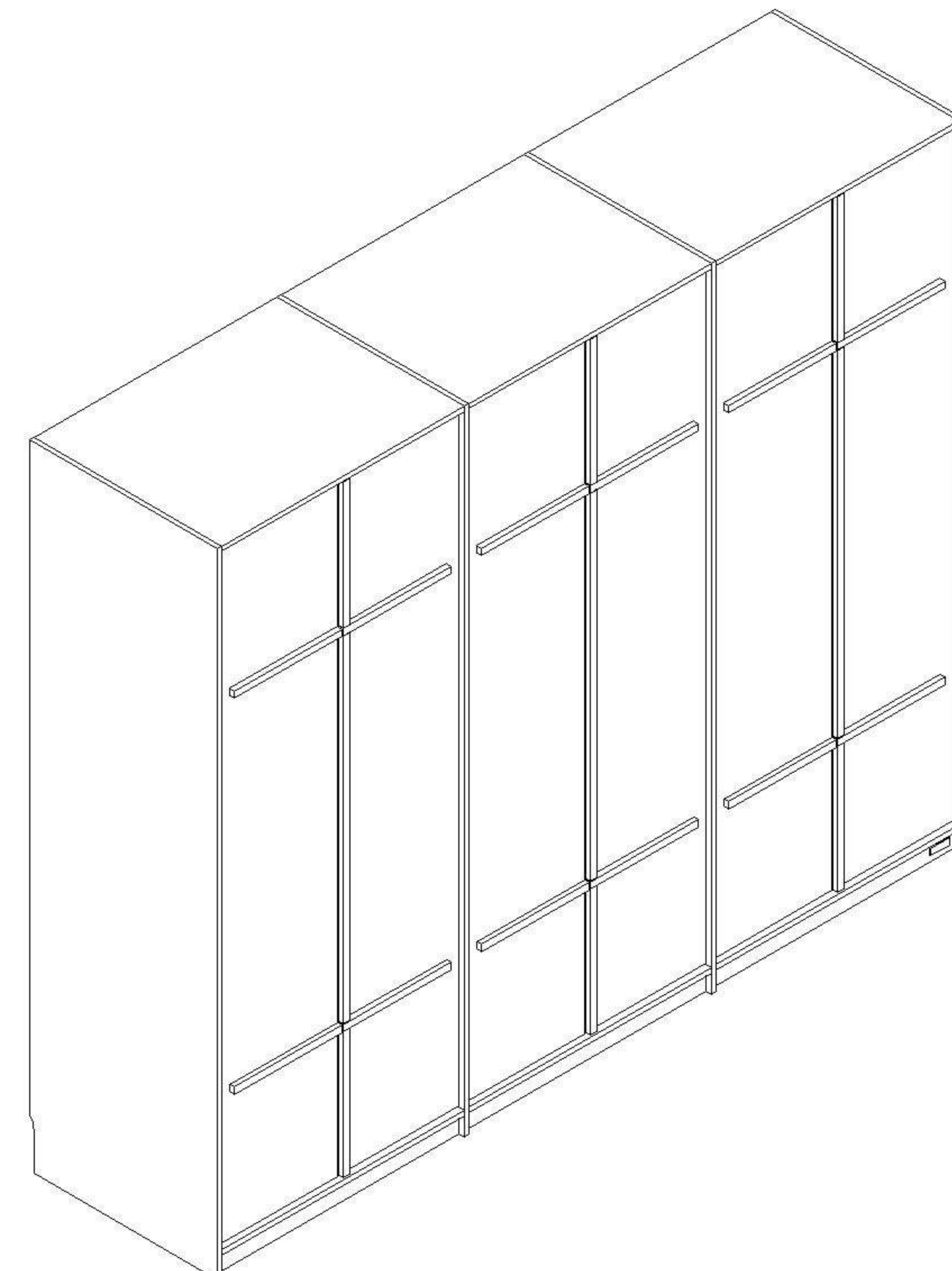
(E)*18



(F)*18



18



19