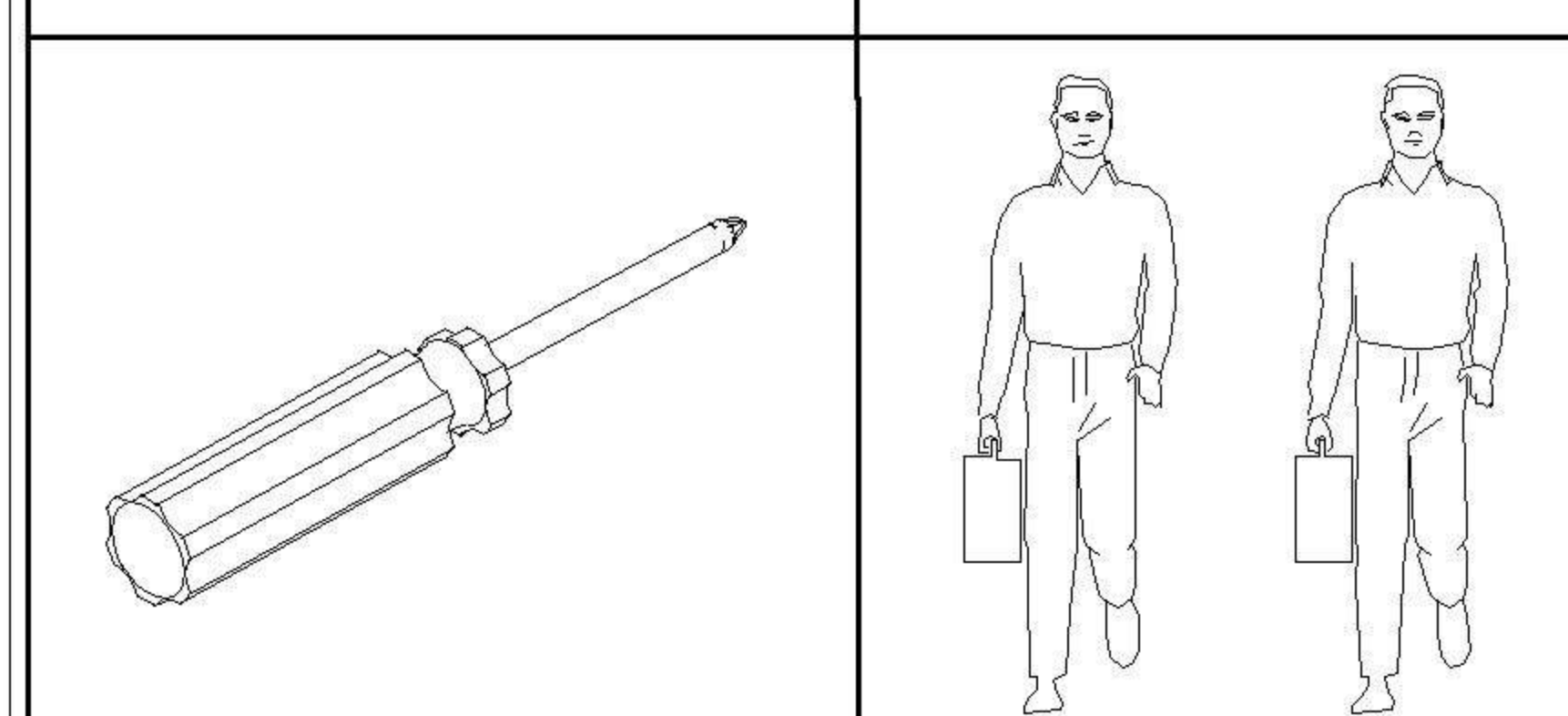


# LINSY 林氏家居

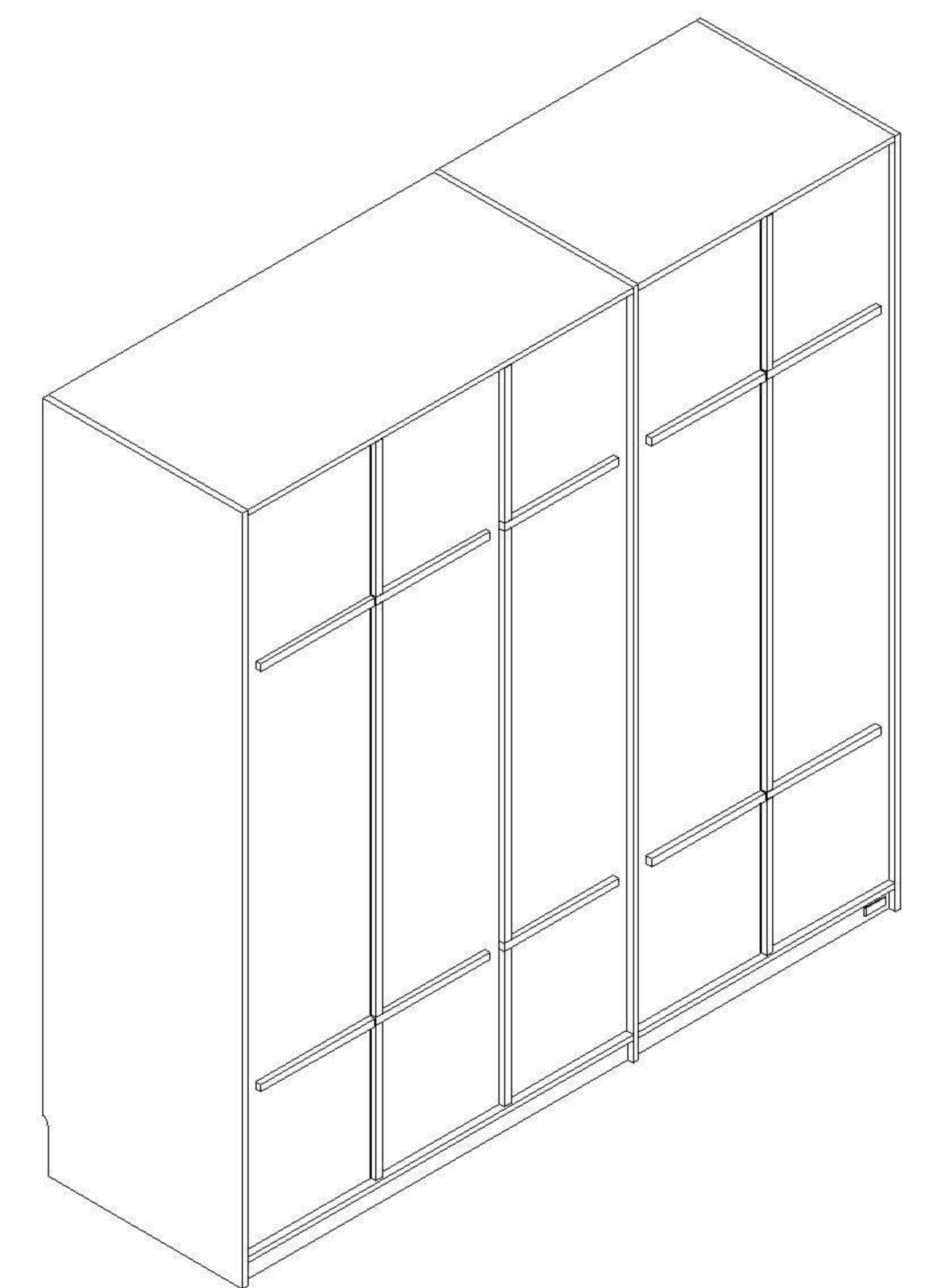
## 五金表/Hardware list

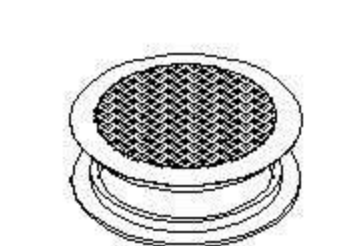
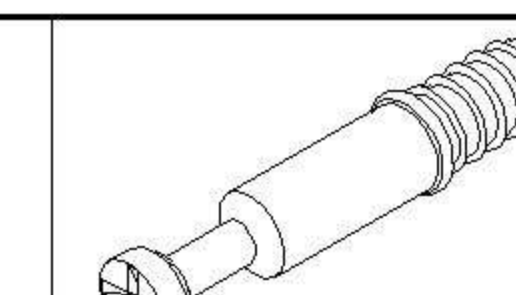
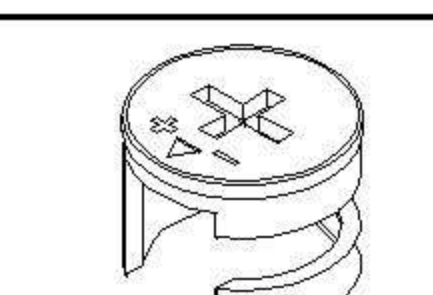
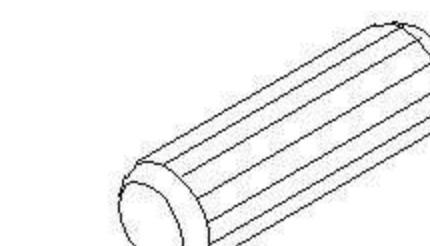
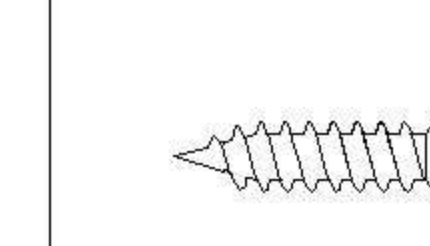
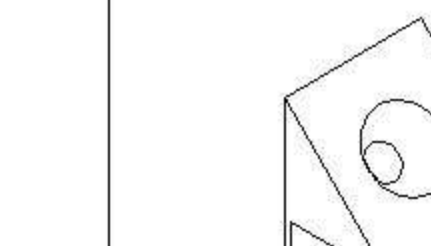
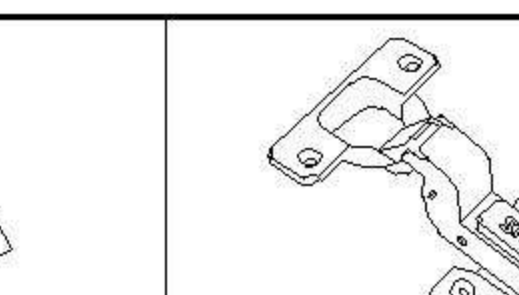
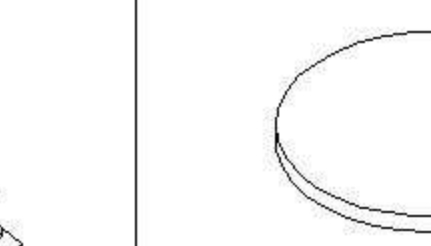
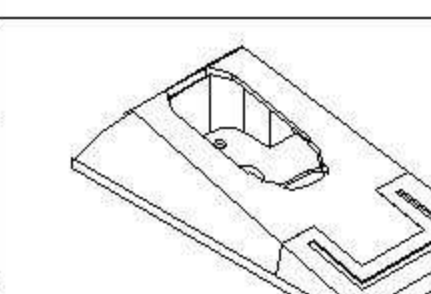
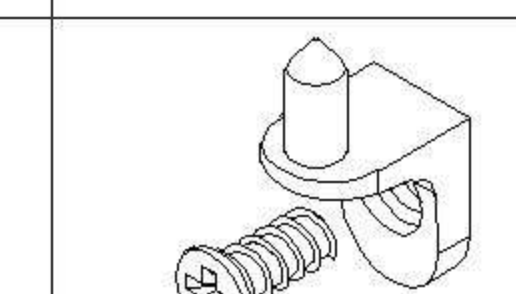
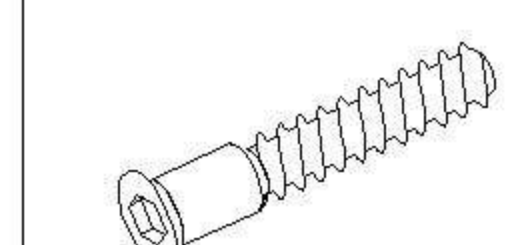

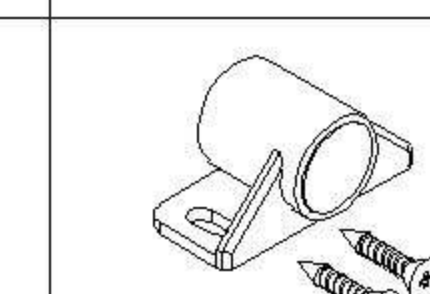
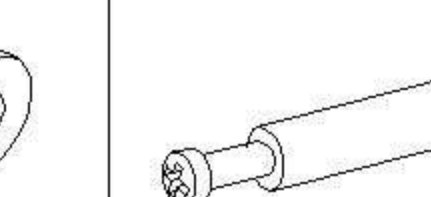

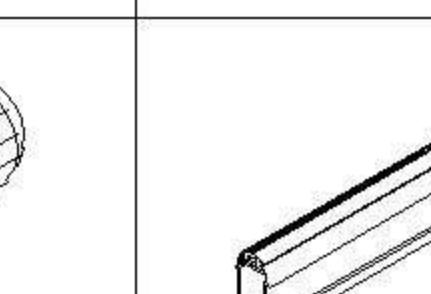
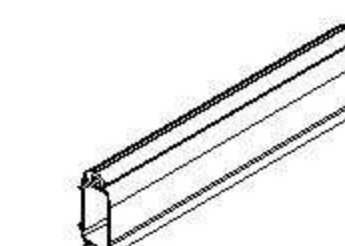
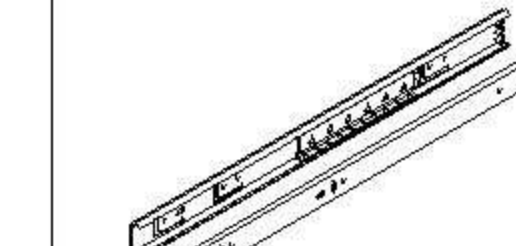
安装示意图/Assembly Instruction

产品名称 Model NO.	五门衣柜2.0m
产品型号 Product Model	YZ1D-A
尺寸规格 Specification	(1959*594*2003)mm
安装工具 Tool	安装人数 Installer



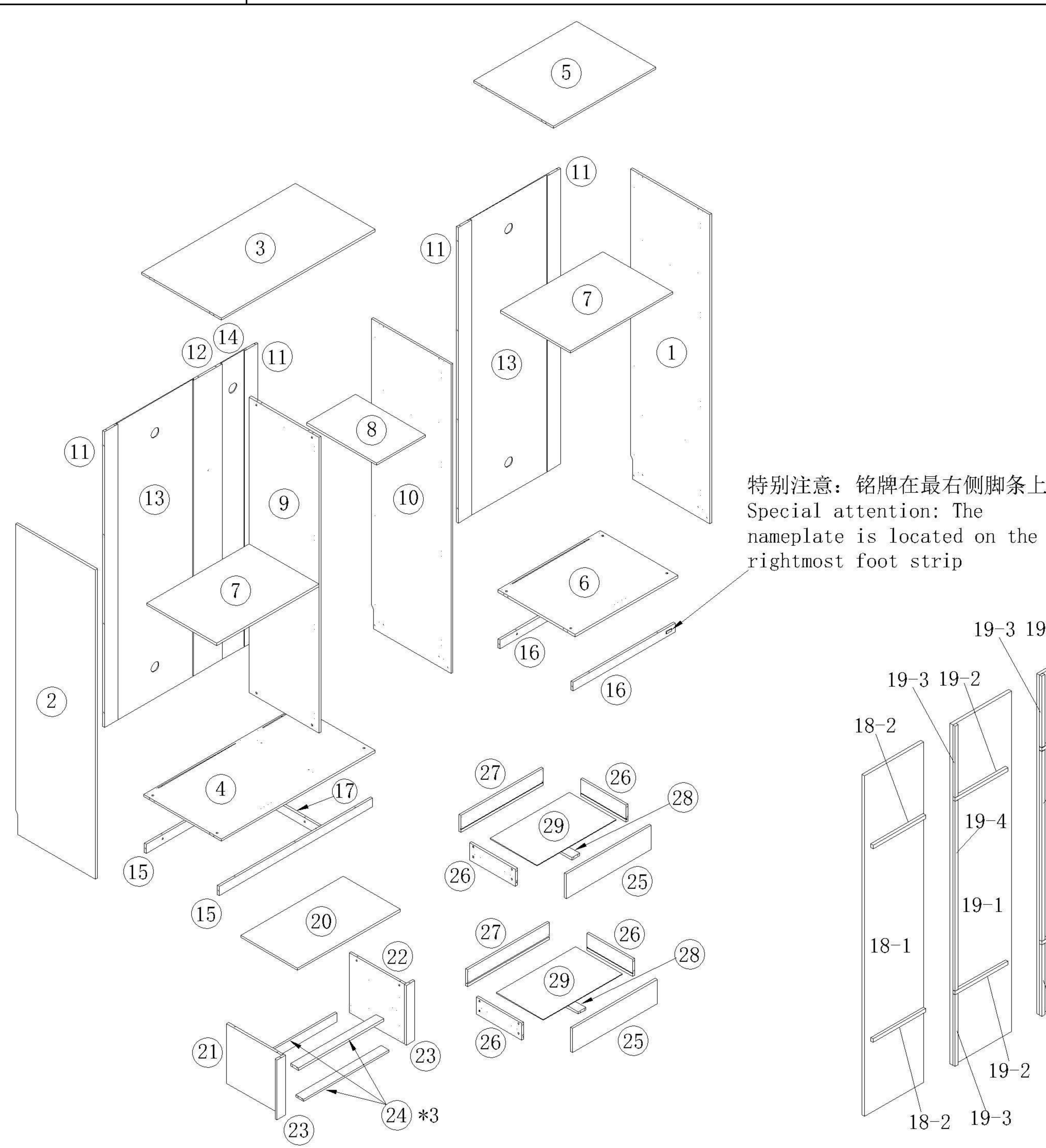
注：为保证设计效果，部分尺寸为定制尺寸，不影响使用。



 (A)* 6 透气孔盖 Vent cover white	 (B)*103 二合一螺杆 2 in 1 screw	 (C)*120 大三合一锁饼 Three in one large lock	 (D)* 19 木榫Ø8x30mm wood tenon	 (E)* 59 自攻螺丝M3.5x14mm Self tapping screw	 (F)* 17 背板扣 Back Plate Buckle White	 (G)* 20 缓冲门铰大弯-Ø35 Hinge-big bends	 (H)* 18 脚垫 Footrest
 (I)* 8 挂衣杆托 Clothes hanger	 (J)* 16 层板托 shelf support	 (K)* 2 过山丝-M7x38mm Self-tapping screw galvanized	 (L)* 1 内六角扳手4mm spanner-(4mm) hex	 (M)* 6 古铜色消音磁碰 magnetic catch	 (N)*8 双头三合一螺杆 Double head 3-in-1 screw	 (O)* 6 木榫Ø8x50mm wood tenon	 (P)* 3 挂衣杆-L=758mm Clothes hanging rod
 (Q)* 1 挂衣杆-L=359mm Clothes hanging rod	 (R)* 2 三节滚珠导轨-12" three-section ball rail						

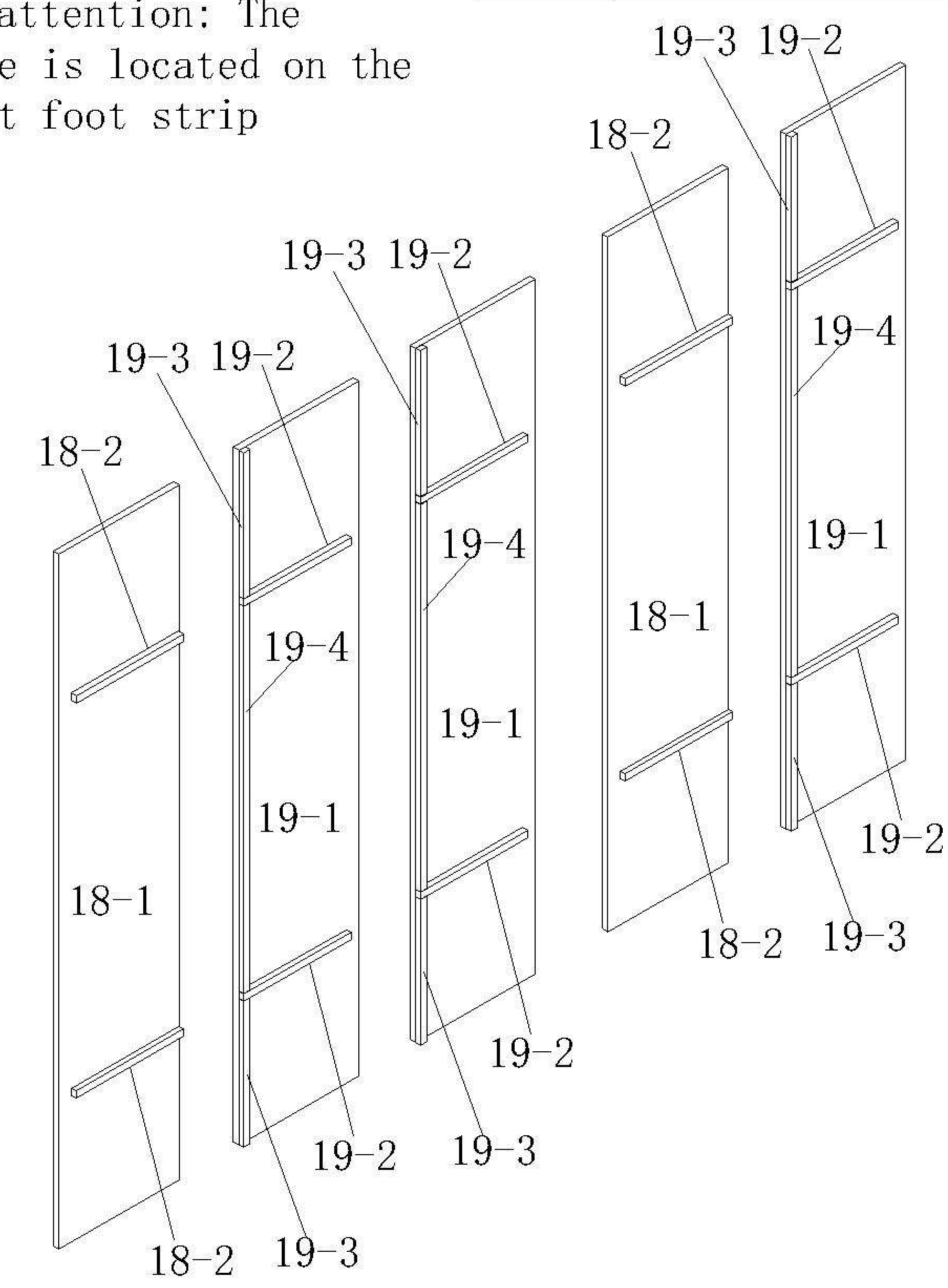
警告：门板与柜体有设计所需的开启间隙，小心夹伤  
Warning: The door panel and the cabinet have the opening gap required by the design, beware of clamping

YZ1D-A 五门衣柜2.0m	部件表/Parts List					部件表/Parts List				
安装方法/ Installation method	编号NO.	名称Name	规格 (mm) Specification	数量 QTY	材质Material	编号NO.	名称Name	规格 (mm) Specification	数量 QTY	材质Material
	⑳	附柜上层板Upper panel of attached cabinet	765*126*15	1	刨花板 Particle board	①	右侧板Side board(R)	2000*594*15	1	刨花板 Particle board
	㉑	附柜左侧板Left side panel of the attached cabinet	410*386*15	1	刨花板 Particle board	②	左侧板Side board(L)	2000*594*15	1	刨花板 Particle board
	㉒	附柜右侧板Right side panel of the attached cabinet	410*386*15	1	刨花板 Particle board	③	左顶板Top board(L)	1148*594*15	1	刨花板 Particle board
	㉓	侧柱Jamb	386*63*15	2	刨花板 Particle board	④	左底板Bottom board(L)	1148*579*15	1	刨花板 Particle board
	㉔	拉条Brace	638*58*15	3	刨花板 Particle board	⑤	右顶板Top board(R)	766*594*15	1	刨花板 Particle board
	㉕	抽屉面板Drawer panel	634*158*15	2	刨花板 Particle board	⑥	右底板Bottom board(R)	766*579*15	1	刨花板 Particle board
	㉖	抽屉侧板Drawer side panel	340*110*15	4	刨花板 Particle board	⑦	长活动层板Long movable shelf	765*522*15	2	刨花板 Particle board
	㉗	抽屉后板Drawer back panel	612*110*15	2	刨花板 Particle board	⑧	短活动层板Short movable shelf	366*522*15	1	刨花板 Particle board
	㉘	抽屉底托条Drawer bottom support strip	340*58*15	2	刨花板 Particle board	⑨	左中侧板Middle side board(L)	1912*524*15	1	刨花板 Particle board
	㉙	抽屉底板Drawer bottom plate	592*350*5	2	纤维板 Fiberboard	⑩	右中侧板Middle side board(R)	2000*594*15	1	刨花板 Particle board
						⑪	边背拉条Side back brace	1912*101*15	4	刨花板 Particle board
						⑫	长拉条Long brace	1912*218*15	1	刨花板 Particle board
						⑬	背板Back board	1922*575*5	2	纤维板 Fiberboard
						⑭	小背板Small back board	1922*176*5	1	纤维板 Fiberboard
						⑮	长脚条Long foot strip	1148*58*15	2	刨花板 Particle board
						⑯	短脚条Short foot strip	766*58*15	2	刨花板 Particle board
						⑰	中脚条Middle foot strip	531*58*15	1	刨花板 Particle board
						⑱	左门板组立Door board assembly(L)	1906*380*33	2	刨花板+白蜡木 Particle board+Ash
						18-1	左门板Door board (L)	1906*380*18	2	刨花板 Particle board
						18-2	门板装饰条1 Door panel decorative strip 1	340*15*20	4	白蜡木 Ash
						⑲	右门板组立Door board assembly(R)	1906*380*33	3	刨花板+白蜡木 Particle board+Ash
						19-1	右门板Door board (R)	1906*380*18	3	刨花板 Particle board
						19-2	门板装饰条1 Door panel decorative strip 1	340*15*20	6	白蜡木 Ash
						19-3	门板装饰条2 Door panel decorative strip 2	400*15*20	6	白蜡木 Ash
						19-4	门板装饰条3 Door panel decorative strip 3	1063*15*20	3	白蜡木 Ash



编号NO.	名称Name	编号NO.	名称Name
②①	附柜上层板Upper panel of attached cabinet	①	右侧板Side board (R)
②②	附柜左侧板Left side panel of the attached cabinet	②	左侧板Side board (L)
②③	附柜右侧板Right side panel of the attached cabinet	③	左顶板Top board (L)
②④	侧柱Jamb	④	左底板Bottom board (L)
②⑤	拉条Brace	⑤	右顶板Top board (R)
②⑥	抽屉面板Drawer panel	⑥	右底板Bottom board (R)
②⑦	抽屉侧板Drawer side panel	⑦	长活动层板Long movable shelf
②⑧	抽屉后板Drawer back panel	⑧	短活动层板Short movable shelf
②⑨	抽屉底托条Drawer bottom support strip	⑨	左中侧板Middle side board (L)
③①	抽屉底板Drawer bottom plate	⑩	右中侧板Middle side board (R)

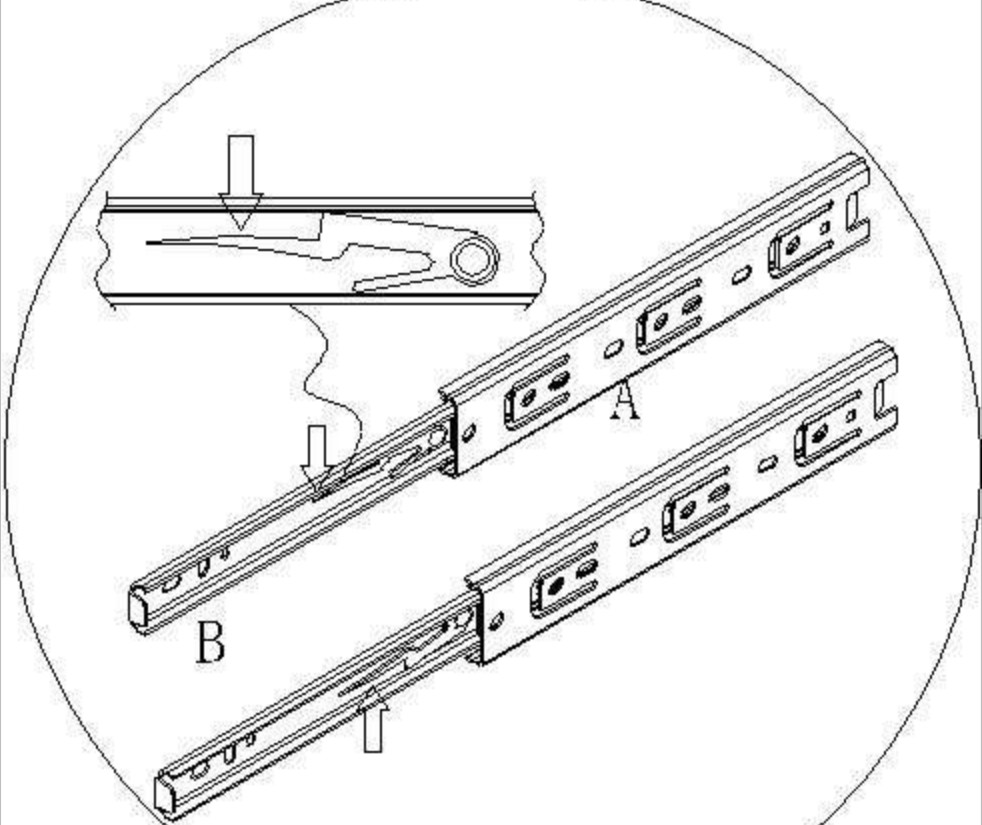
特别注意：铭牌在最右侧脚条上  
Special attention: The nameplate is located on the rightmost foot strip



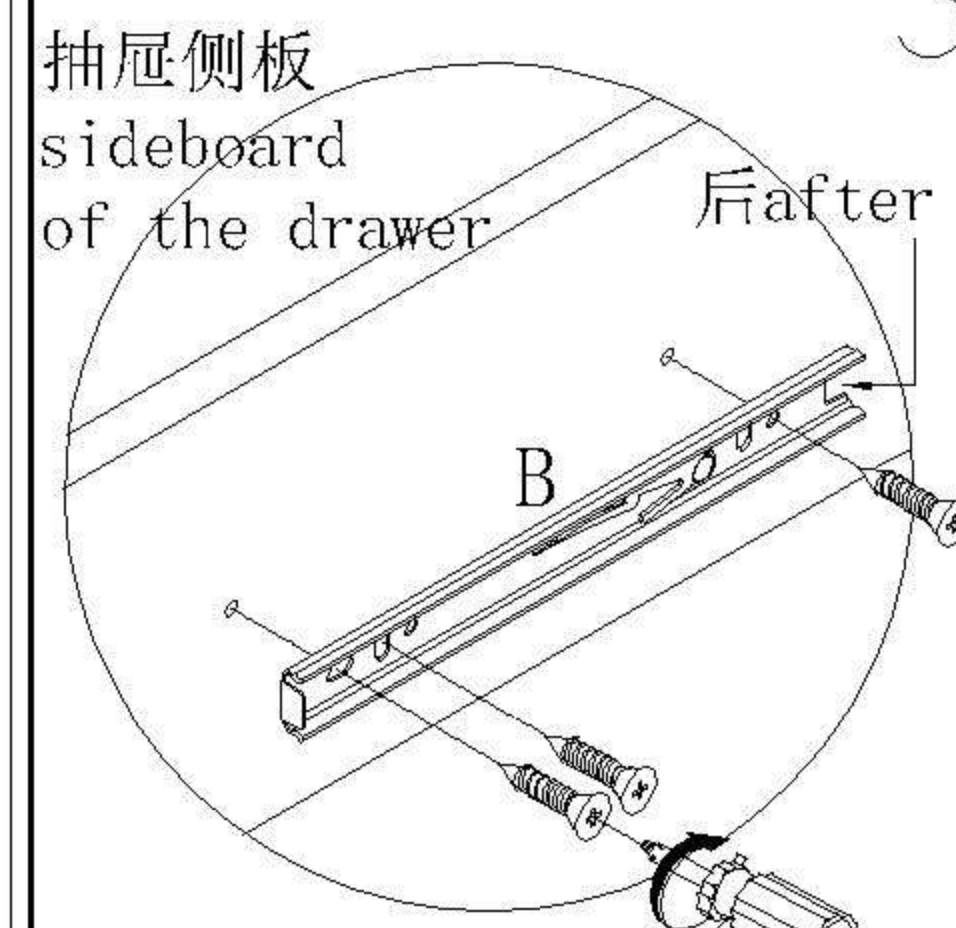
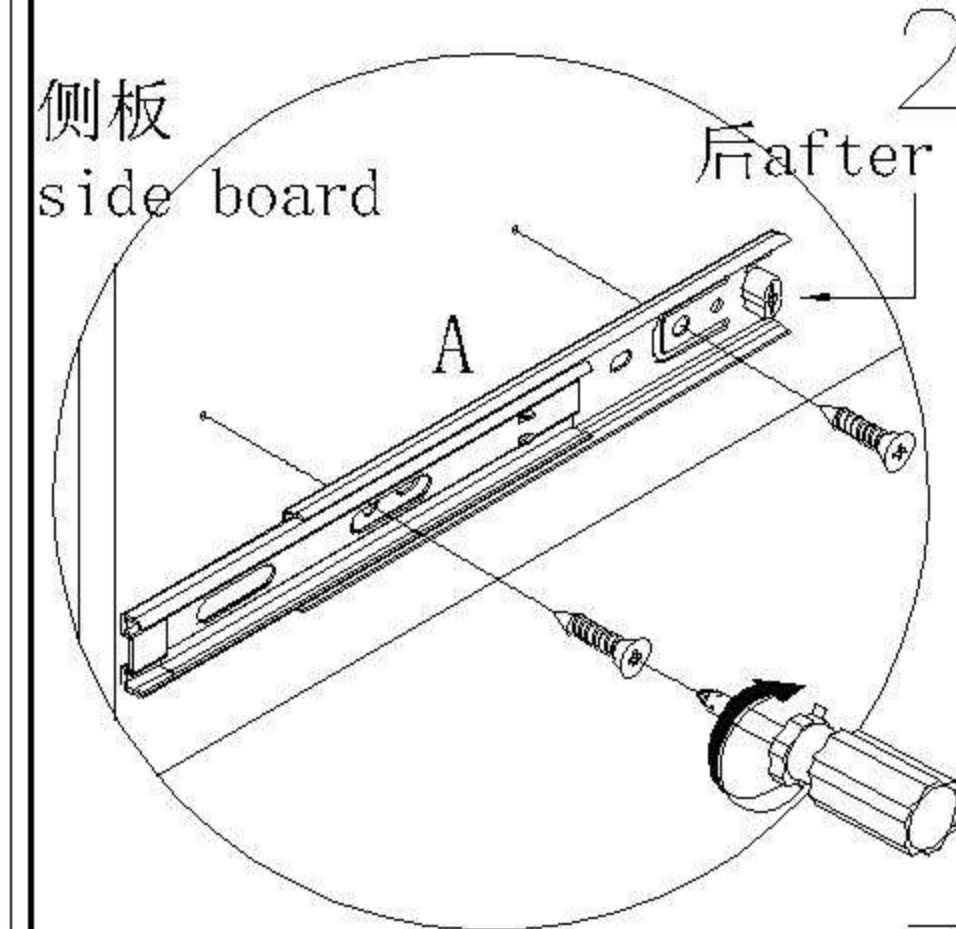
①①	边背拉条Side back brace
①②	长拉条Long brace
①③	背板Back board
①④	小背板Small back board
①⑤	长脚条Long foot strip
①⑥	短脚条Short foot strip
①⑦	中脚条Middle foot strip
①⑧	左门板组立Door board assembly (L)
18-1	左门板Door board (L)
18-2	门板装饰条1 Door panel decorative strip 1
①⑨	右门板组立Door board assembly (R)
19-1	右门板Door board (R)
19-2	门板装饰条1 Door panel decorative strip 1
19-3	门板装饰条2 Door panel decorative strip 2
19-4	门板装饰条3 Door panel decorative strip 3

安装方法/  
Installation method

阀门开关(下压为开)  
Valve switch  
(press down to open)



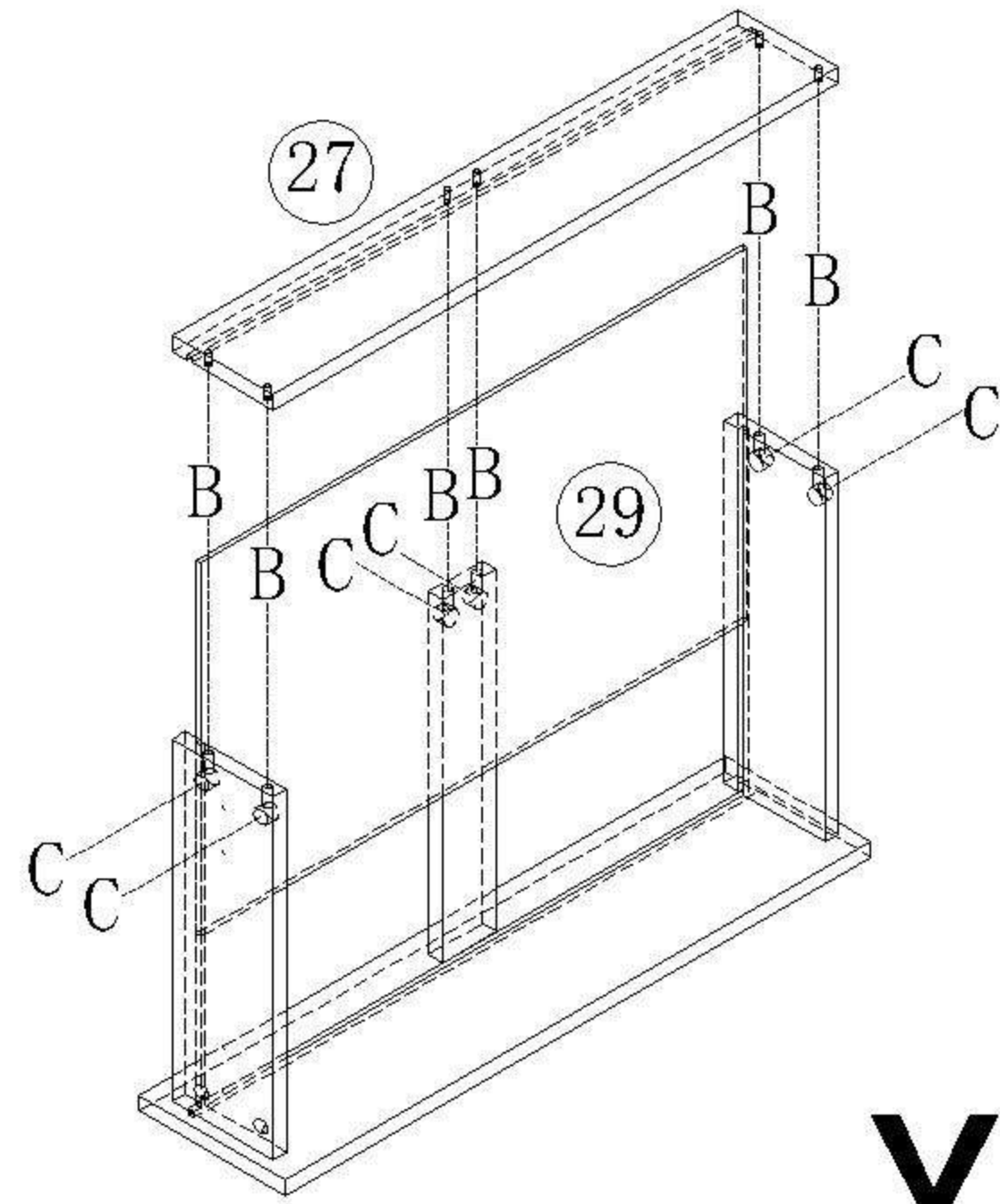
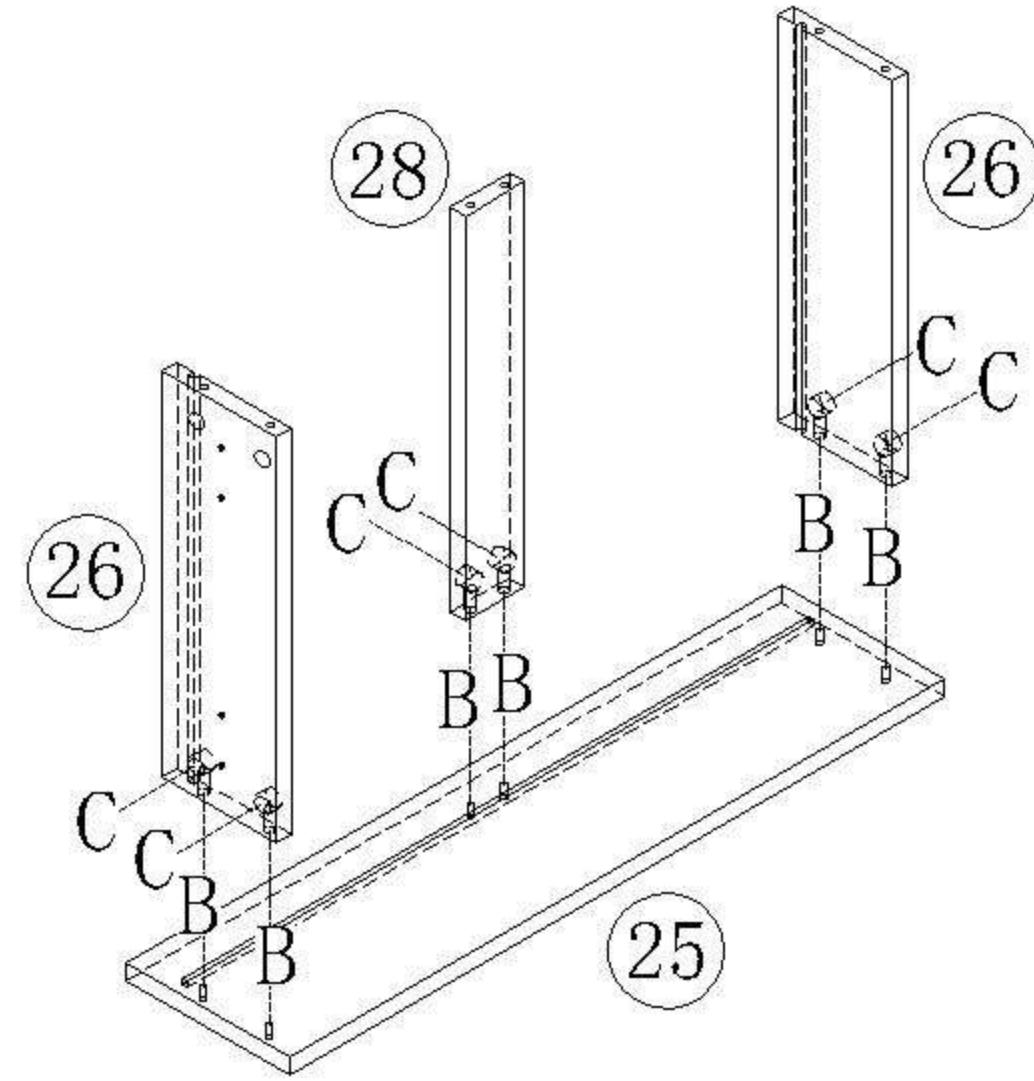
注: 先将A与B拆下来  
Note: remove a and B first



注: 将B对准A后推进去  
Note: align B with a and push it in

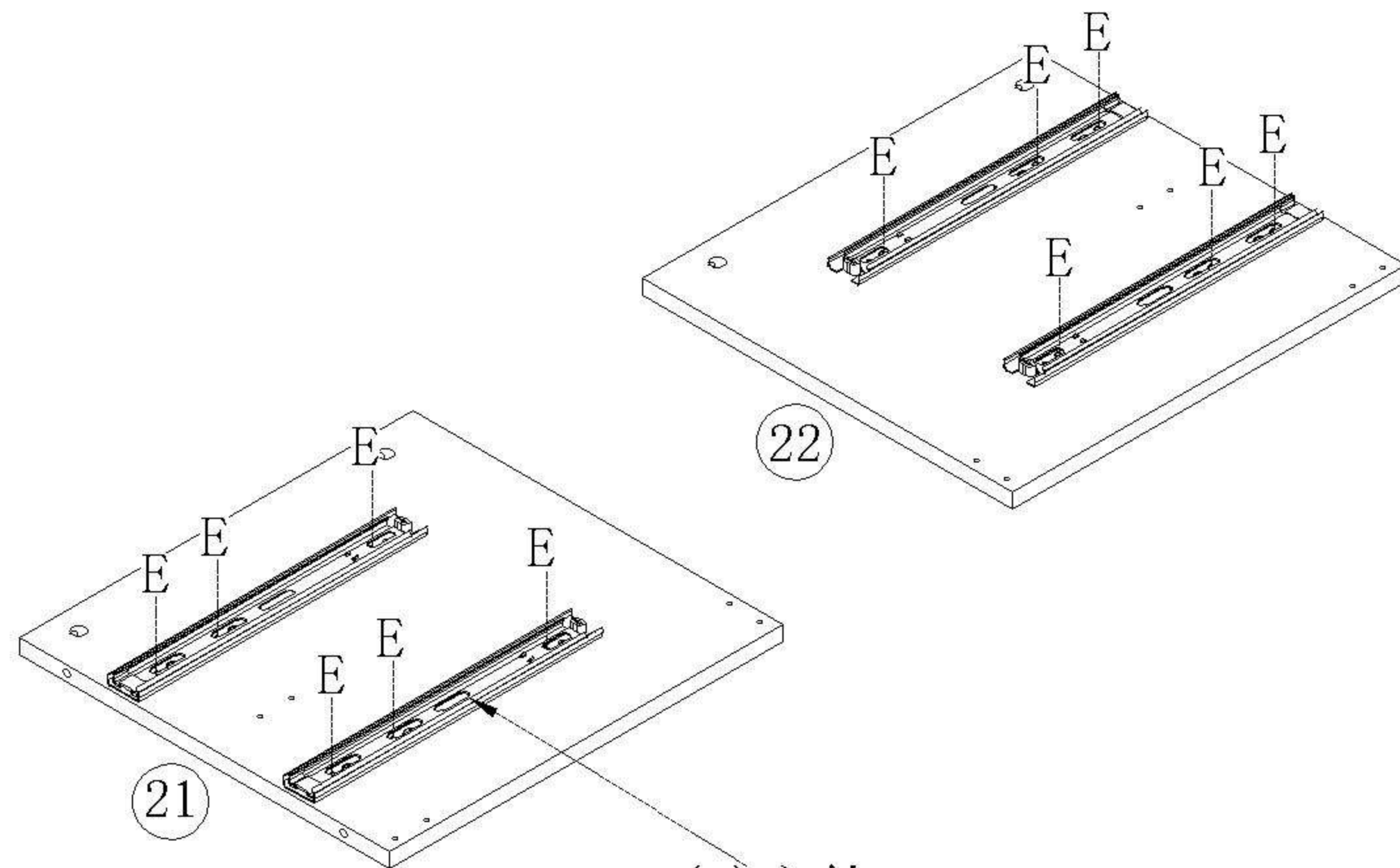
三节滚珠导轨  
three-section ball rail

- (B)\*24
- (C)\*24



X2

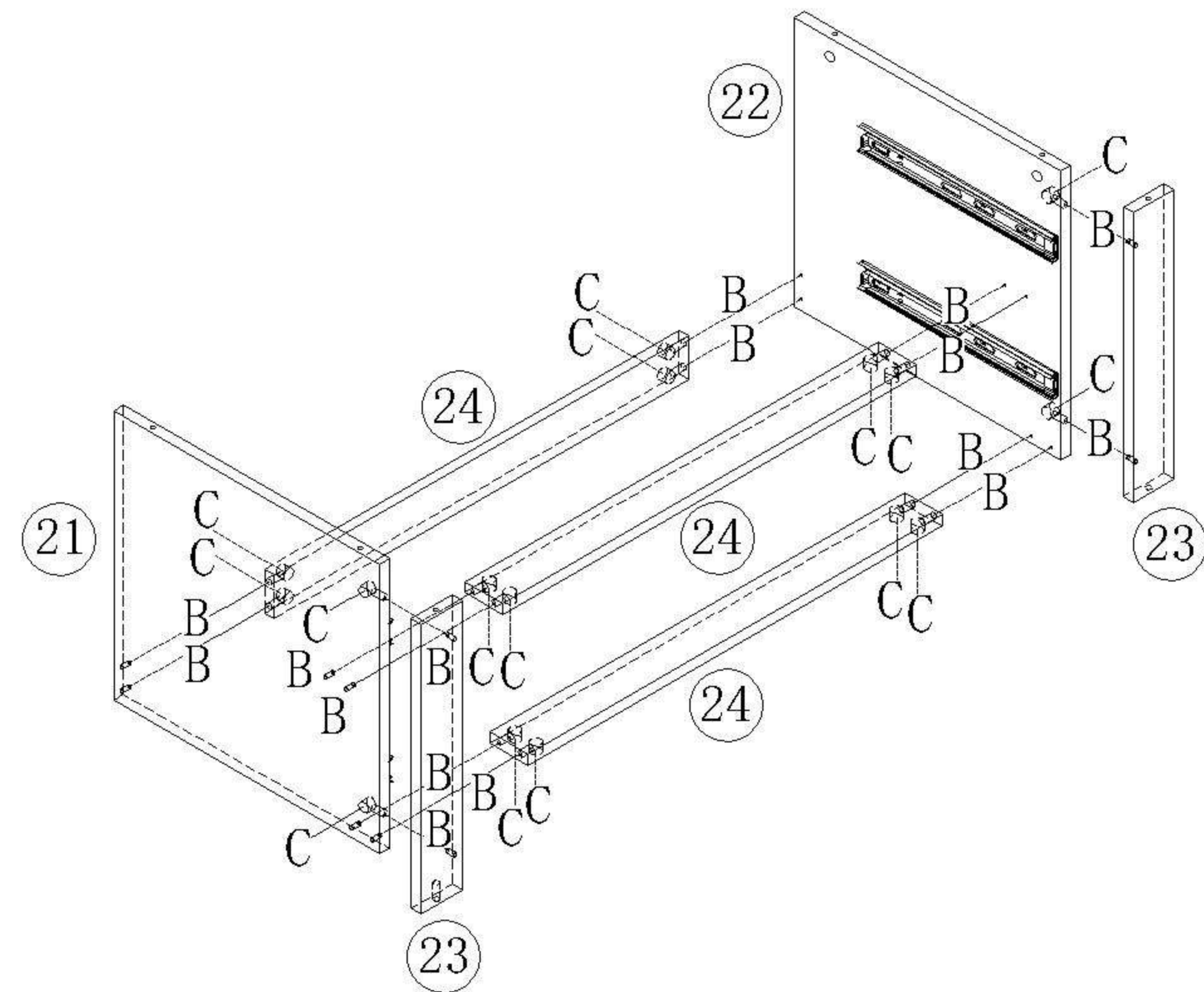
- (E)\*12
- (R)\*2



(R) 主轨  
Main rail

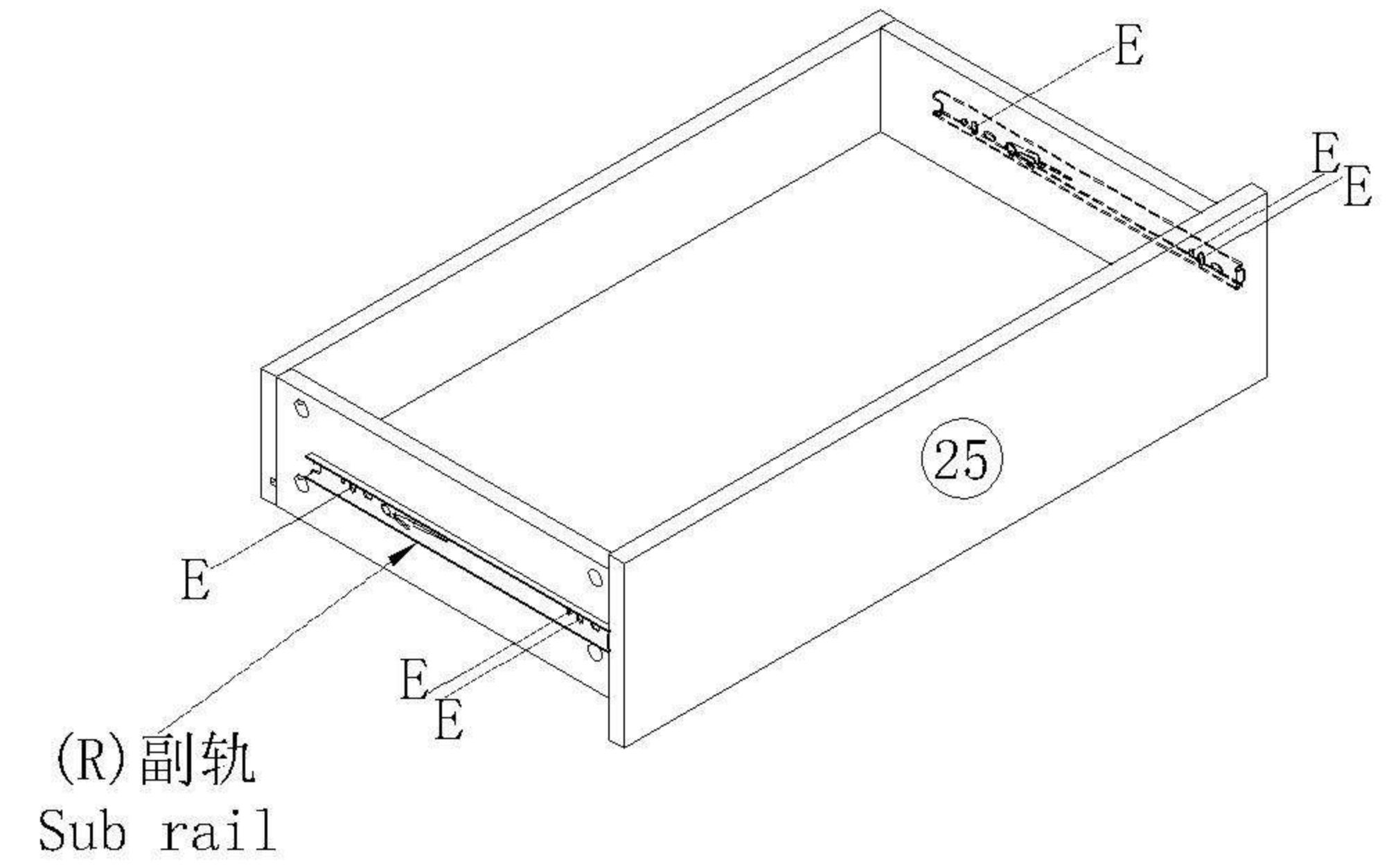
3

- (B)\*16
- (C)\*16



1

- (E)\*12
- (R)\*2



(R) 副轨  
Sub rail

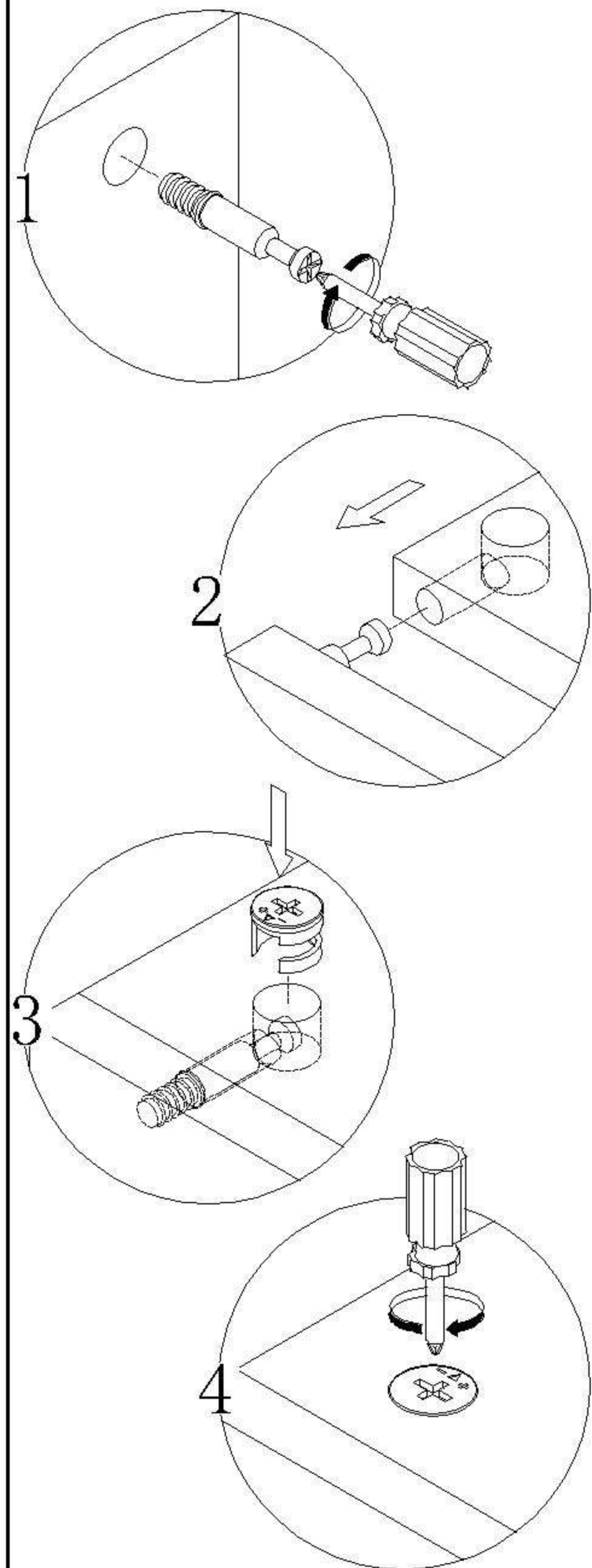
X2

4

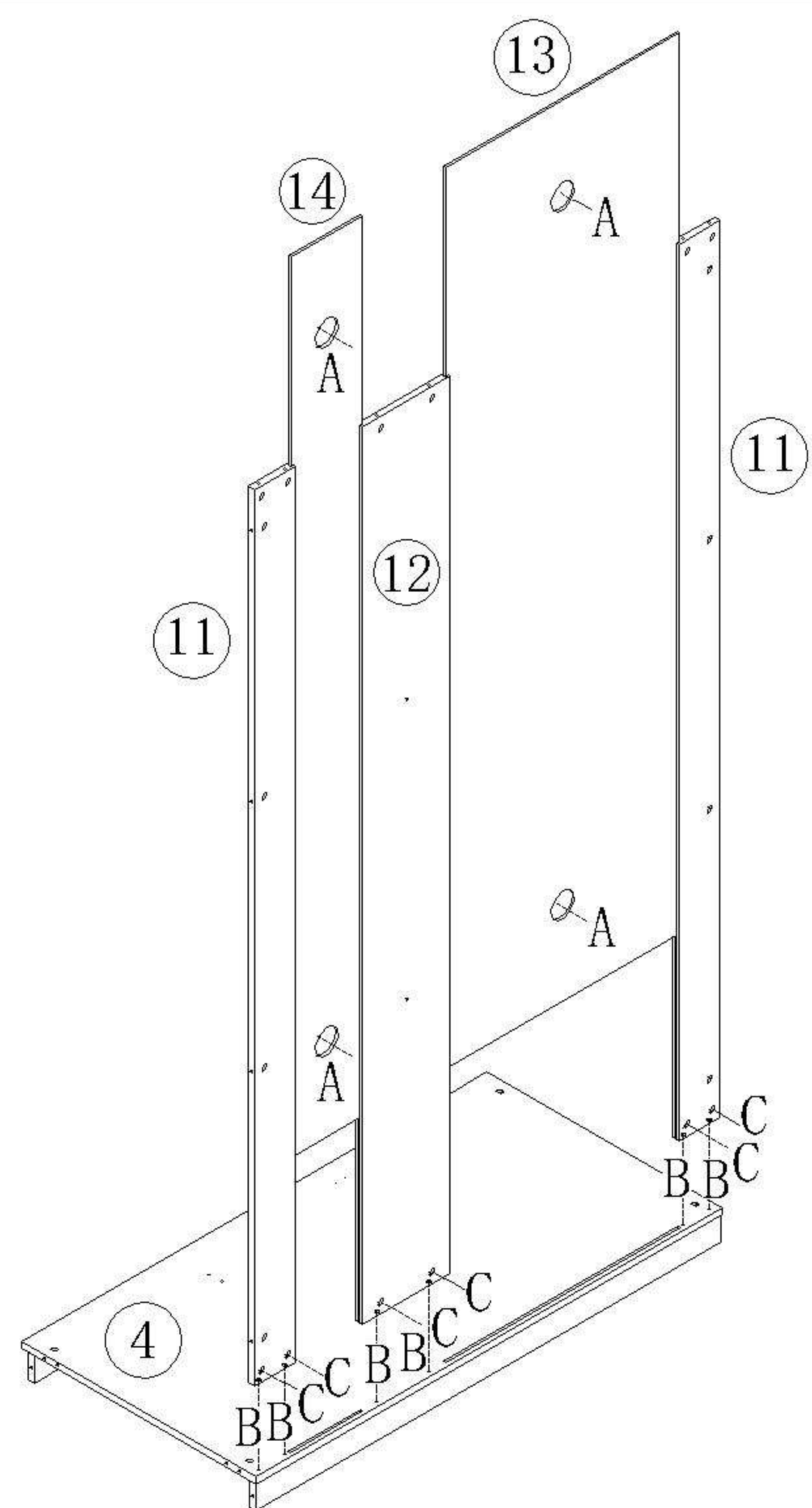
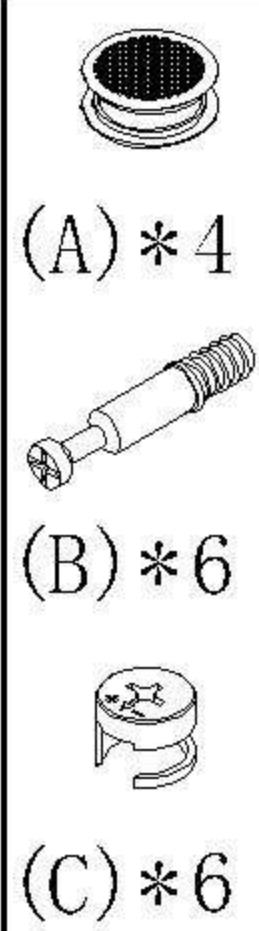
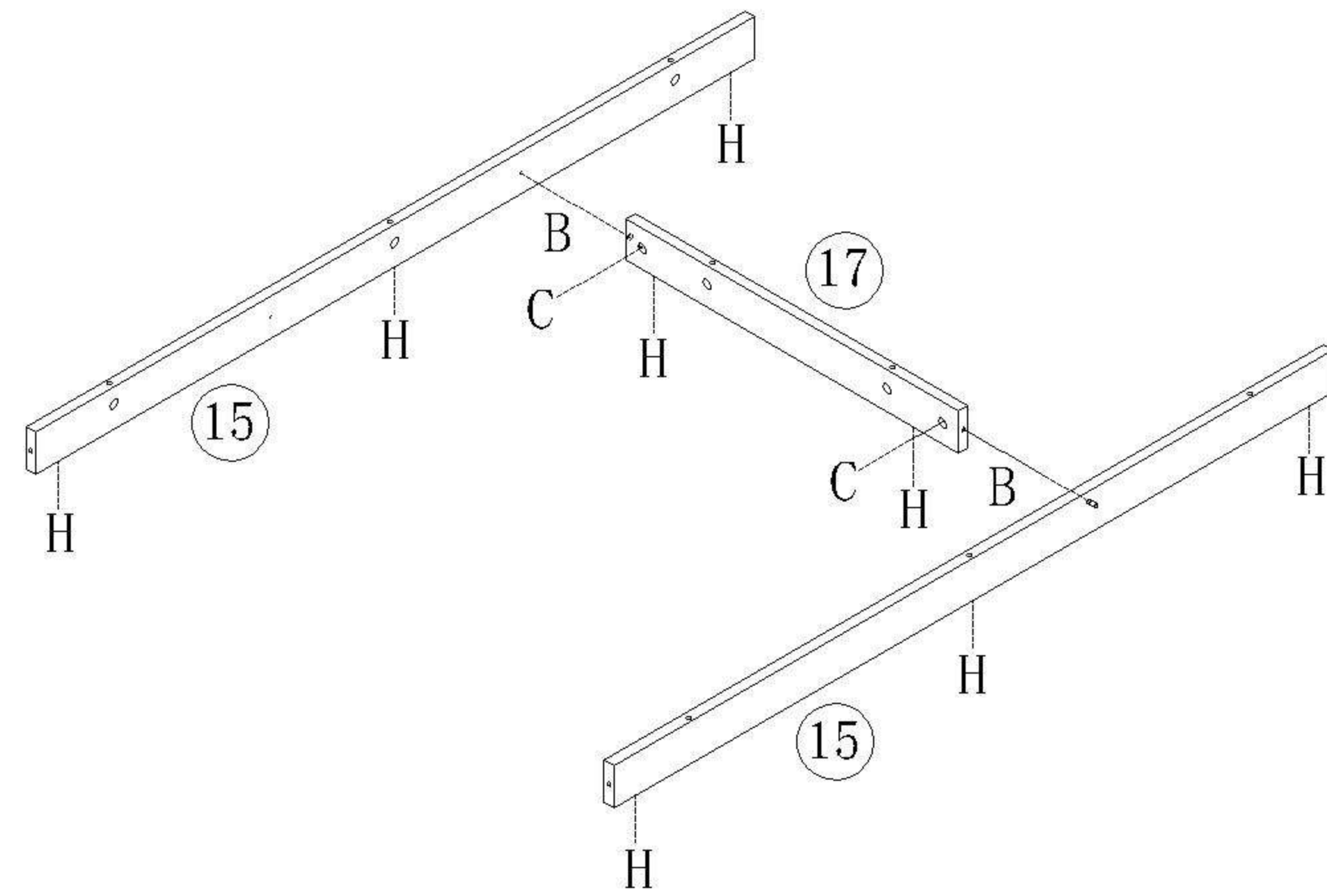
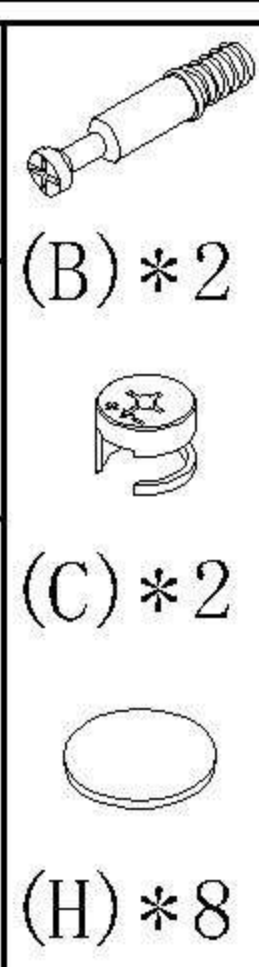
2

YZ1D-A 五门衣柜2.0m

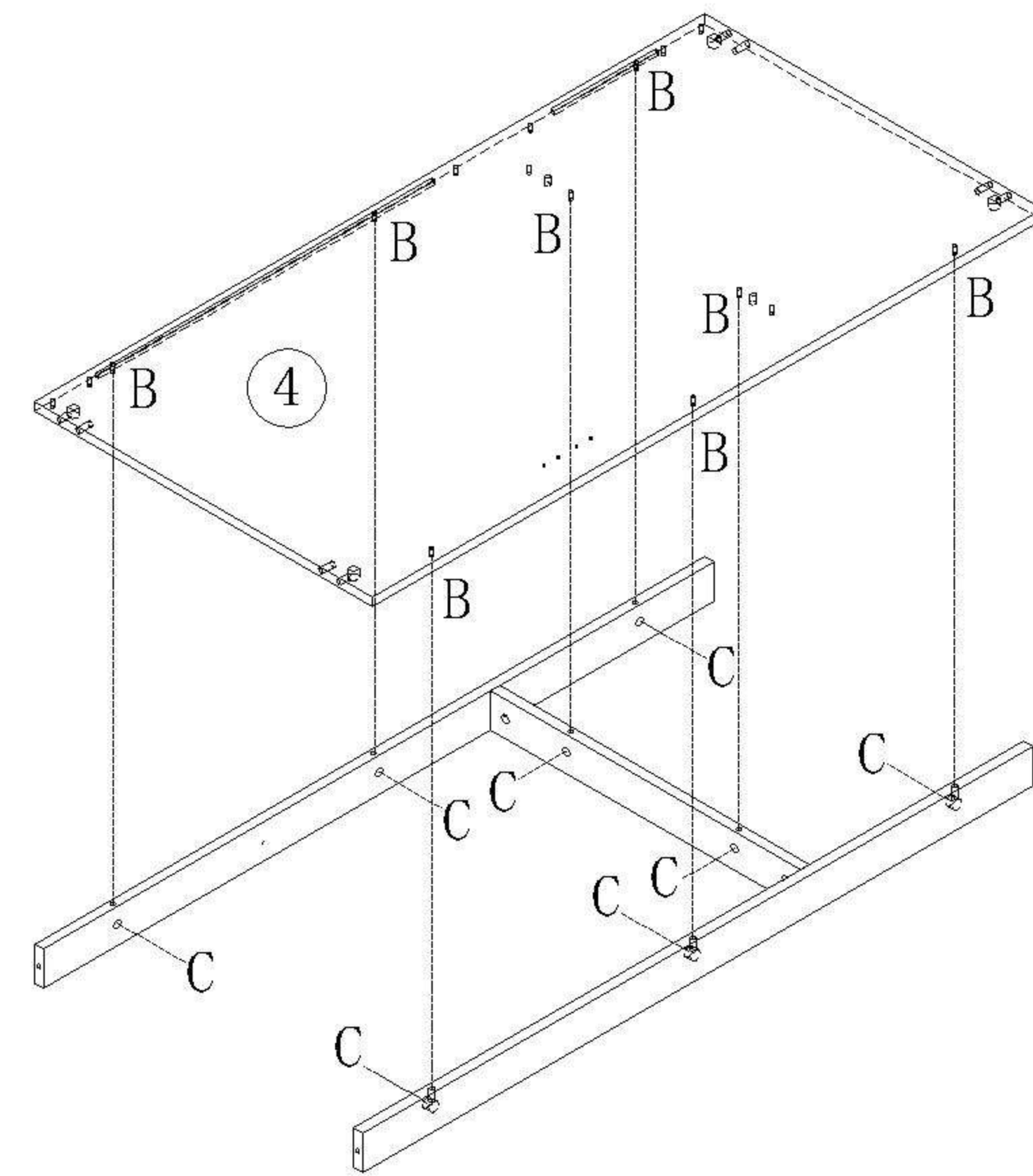
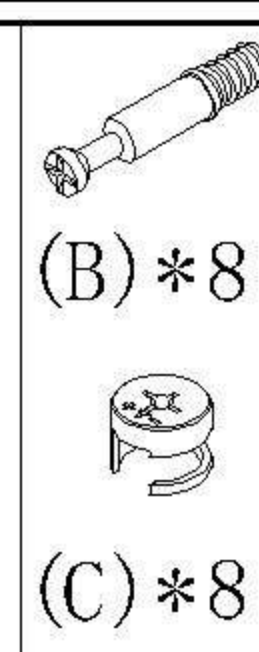
安装方法/  
Installation method



大二合一  
two-in-one

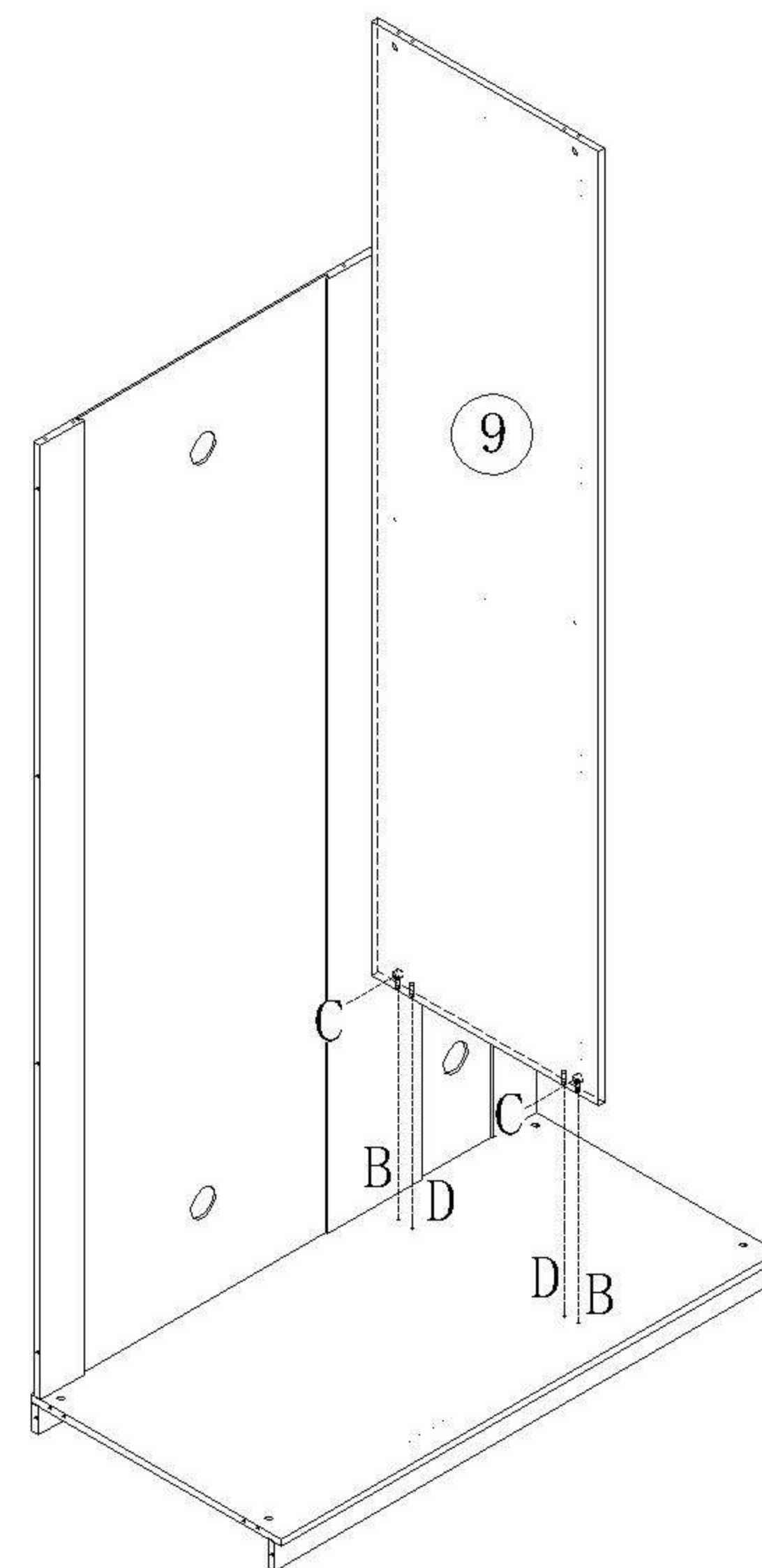
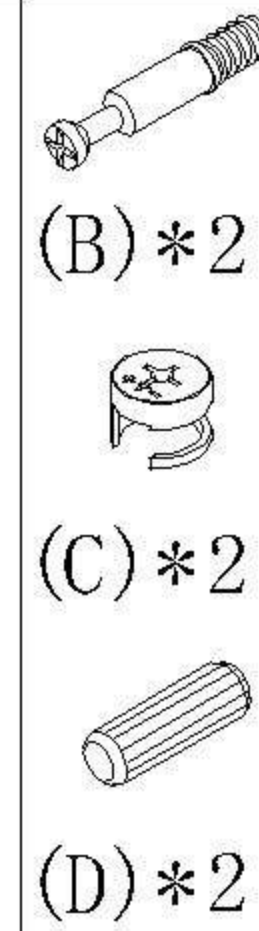


5



6

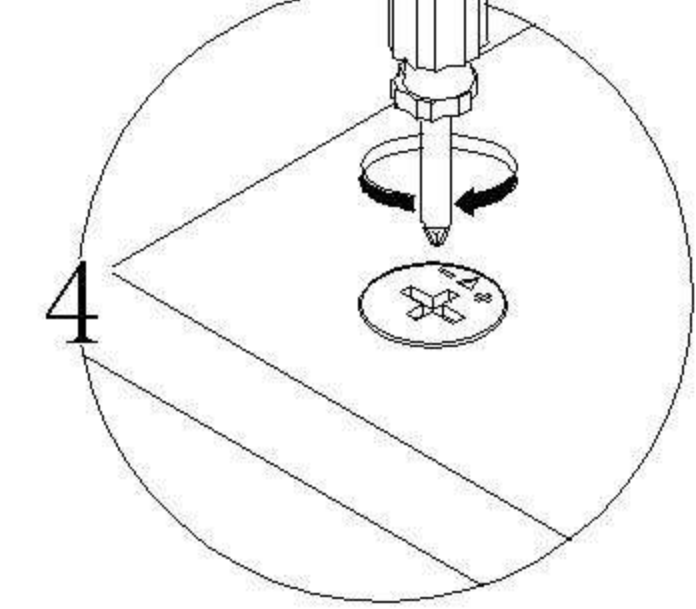
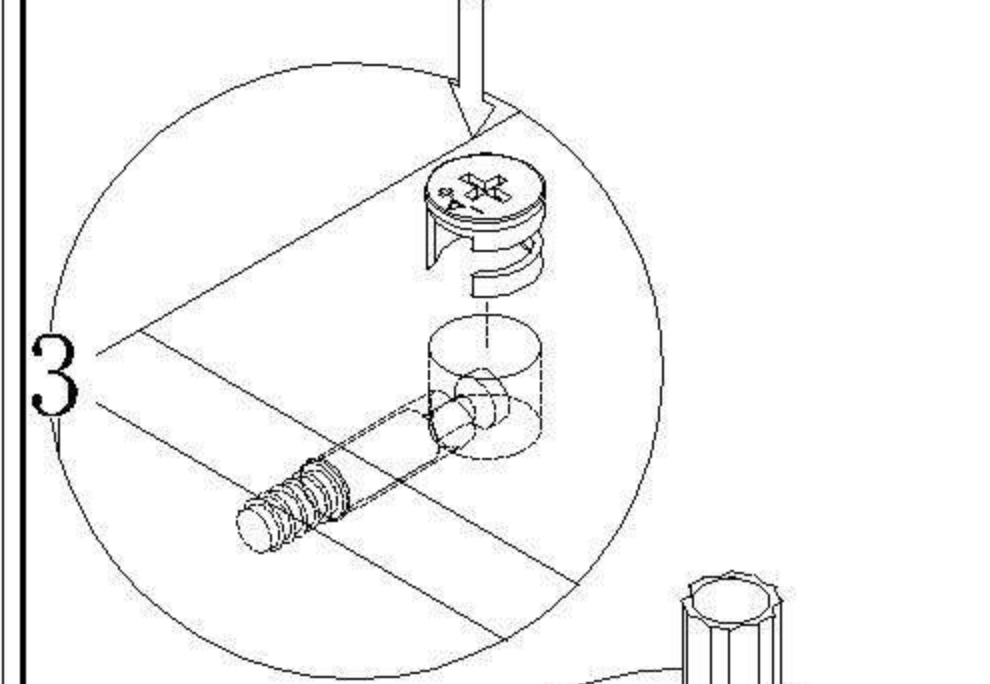
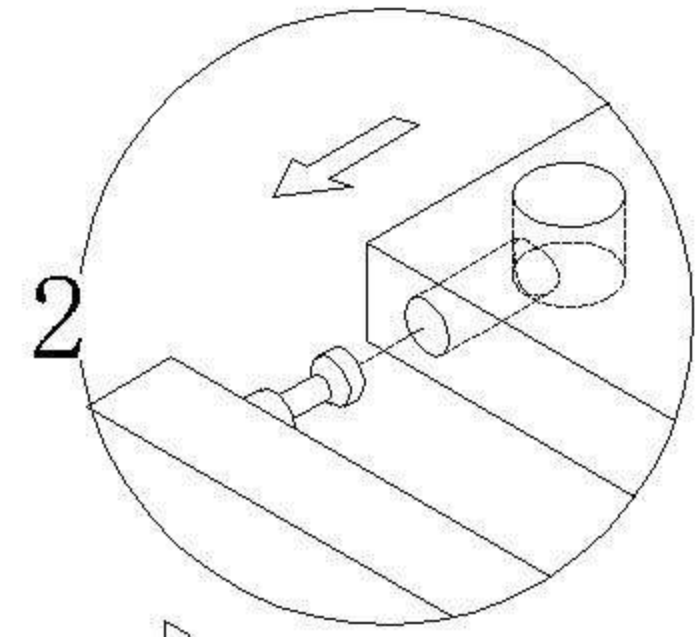
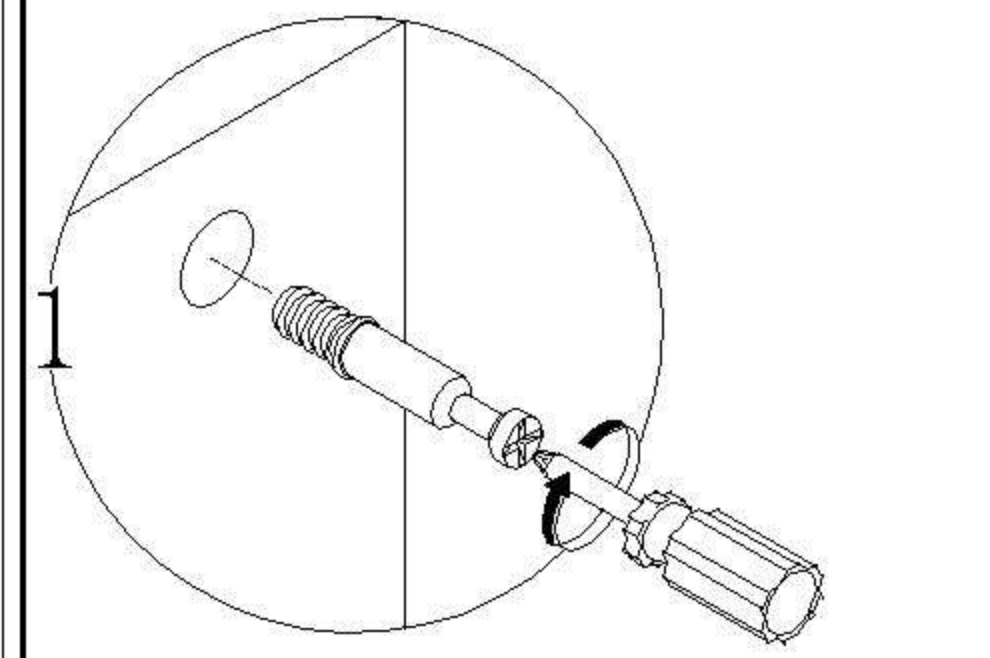
7



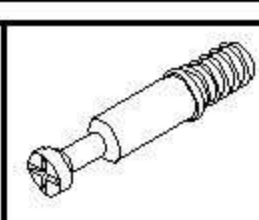
8

YZ1D-A 五门衣柜2.0m

安装方法/  
Installation method



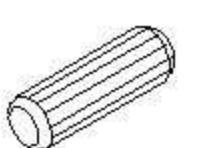
大二合一  
two-in-one



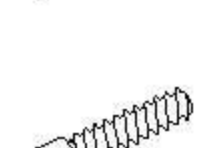
(B)\*8



(C)\*8



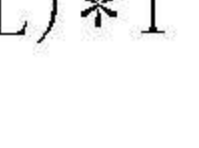
(D)\*2



(K)\*2



(L)\*1



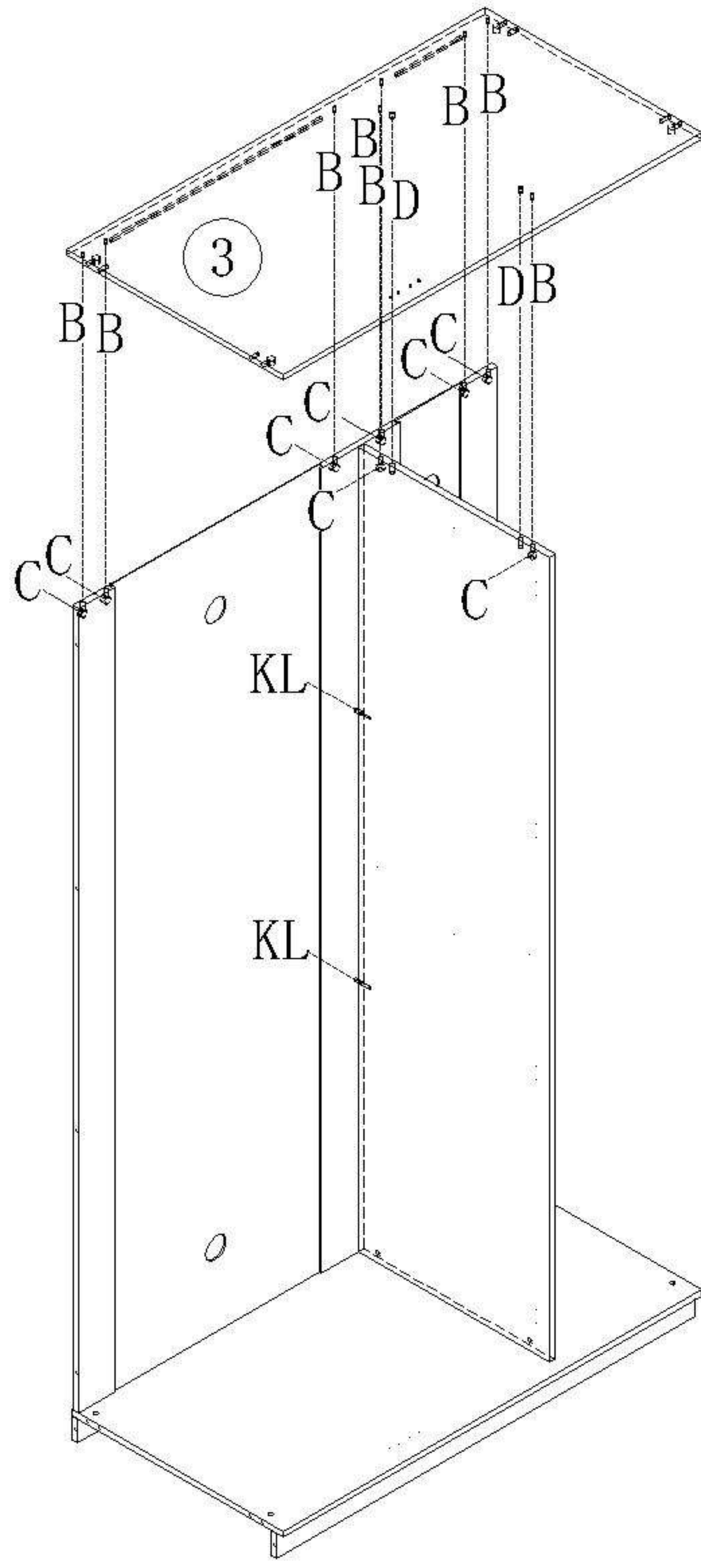
(A)\*2



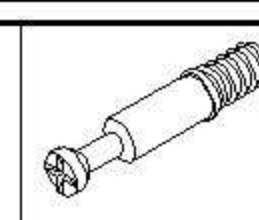
(B)\*4



(C)\*4



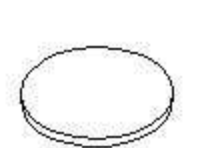
9



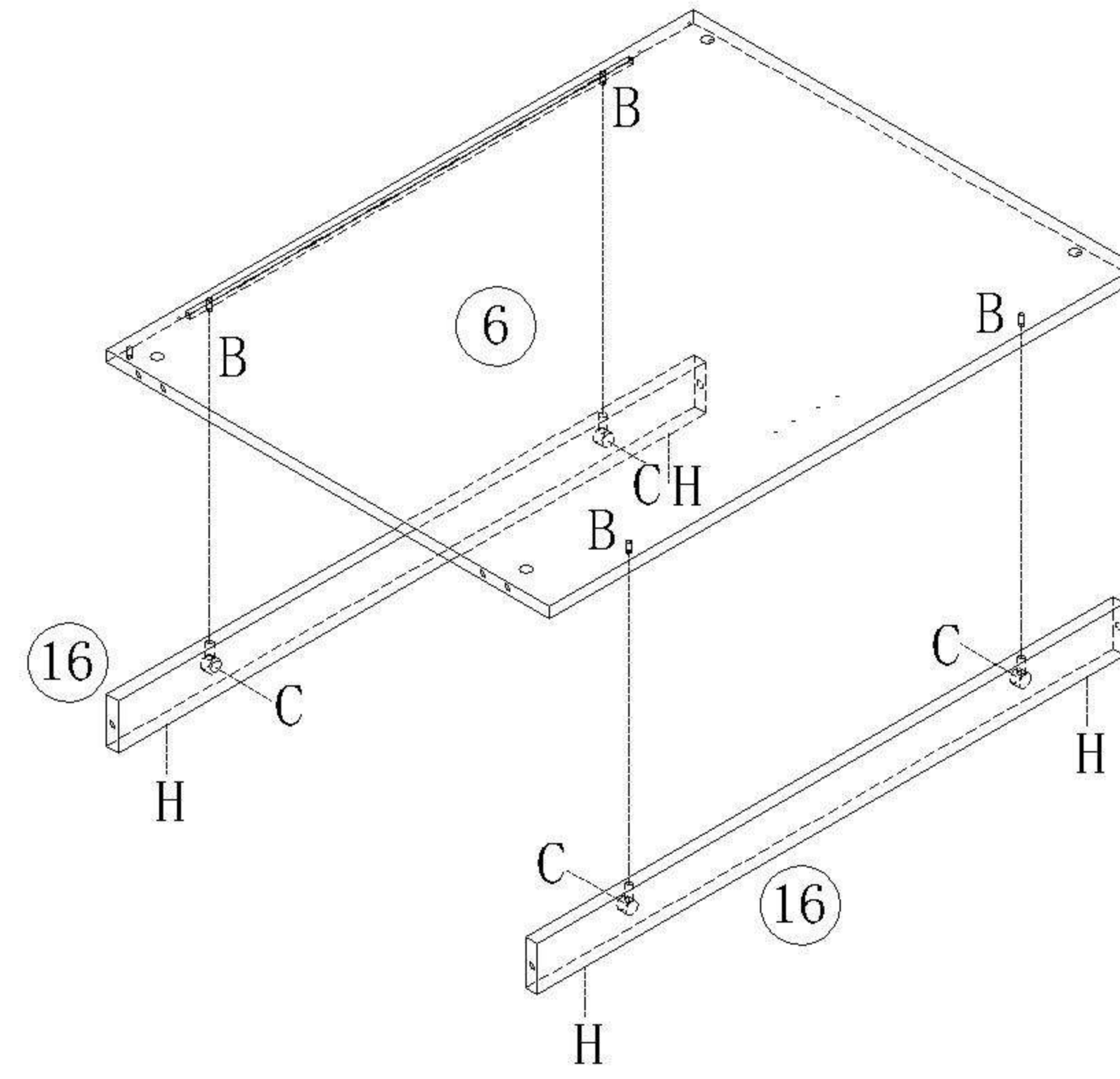
(B)\*4



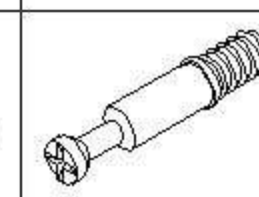
(C)\*4



(H)\*4



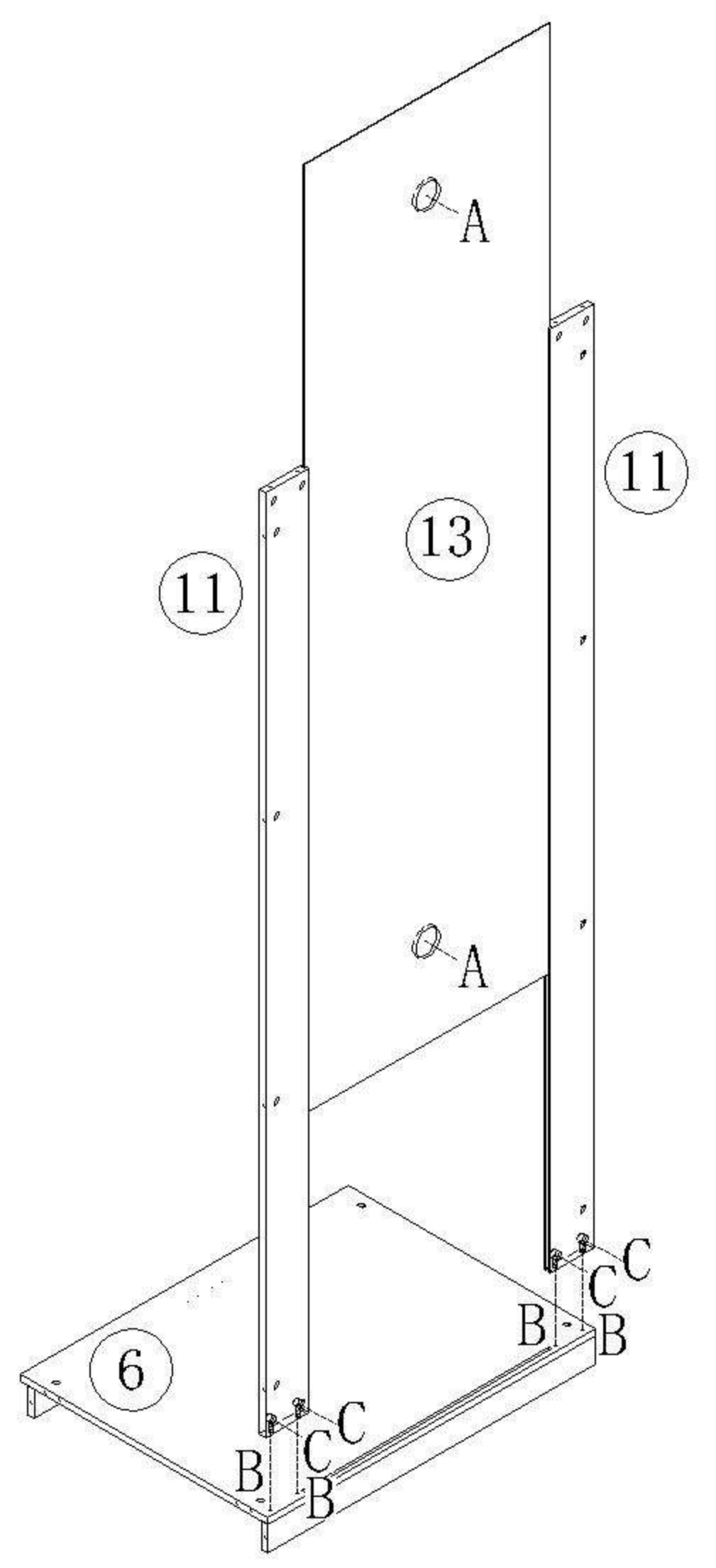
11



(B)\*4

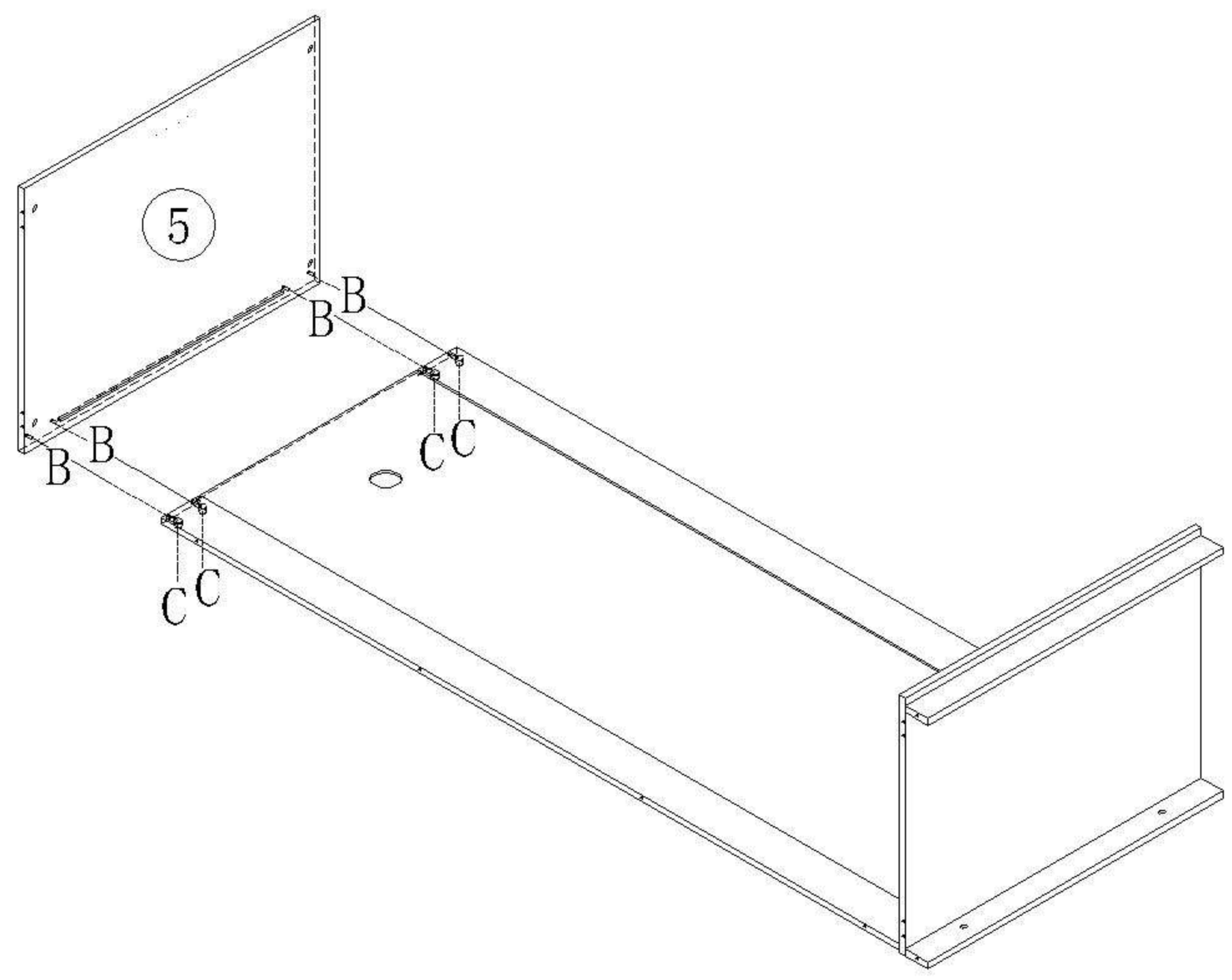


(C)\*4



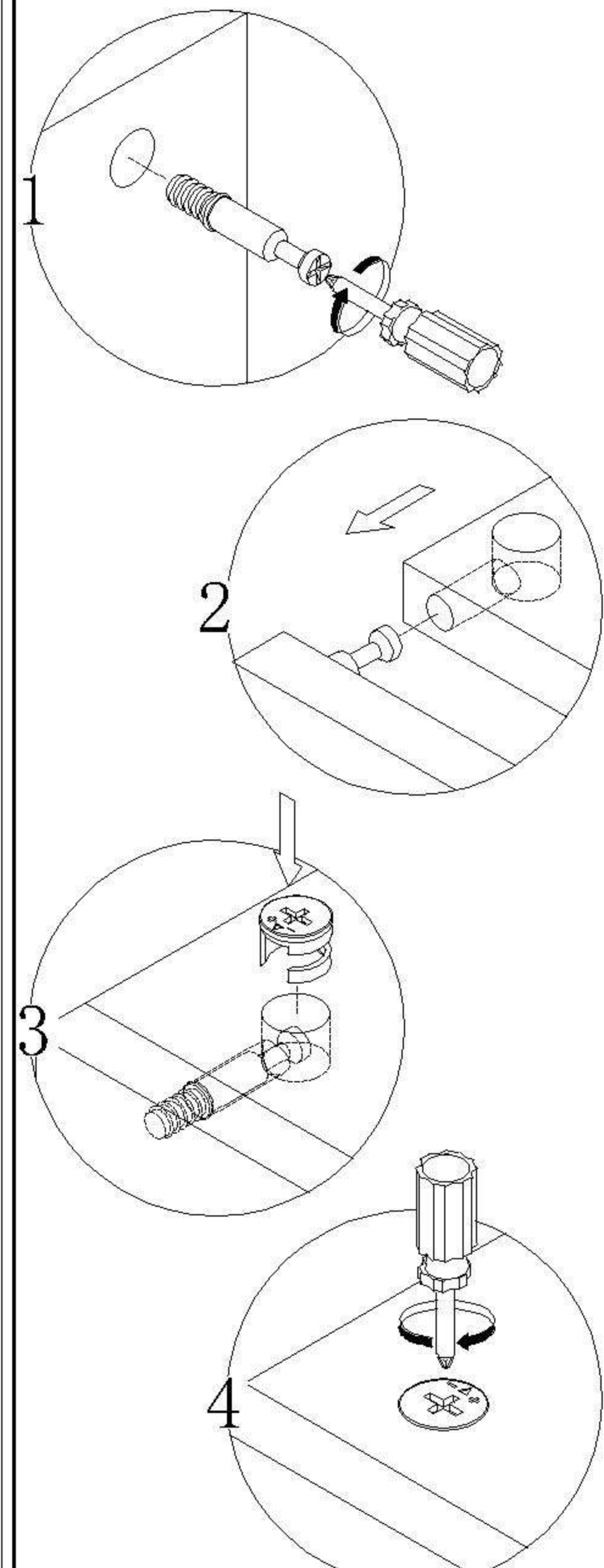
10

12



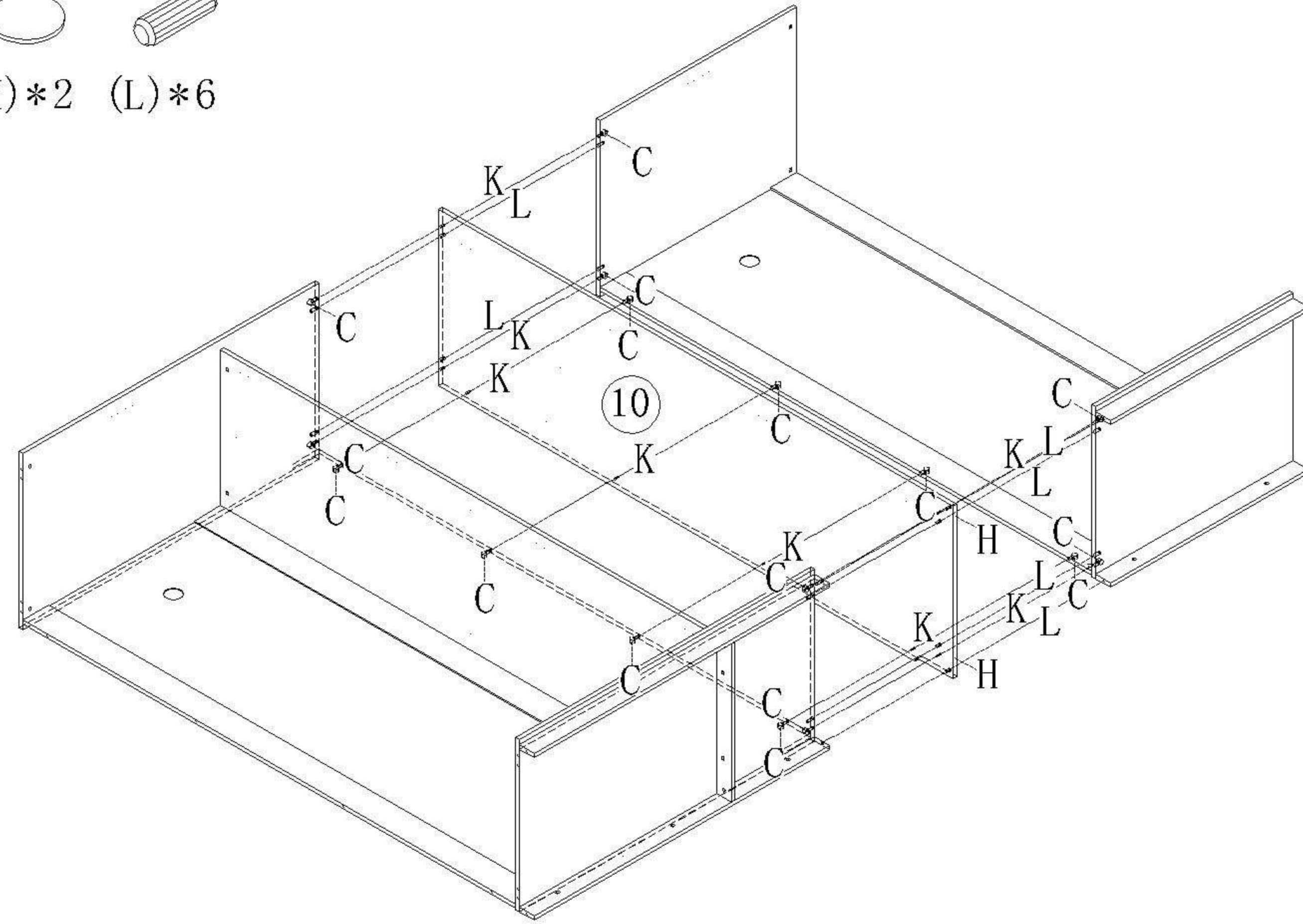
YZ1D-A 五门衣柜2.0m

安装方法/  
Installation method



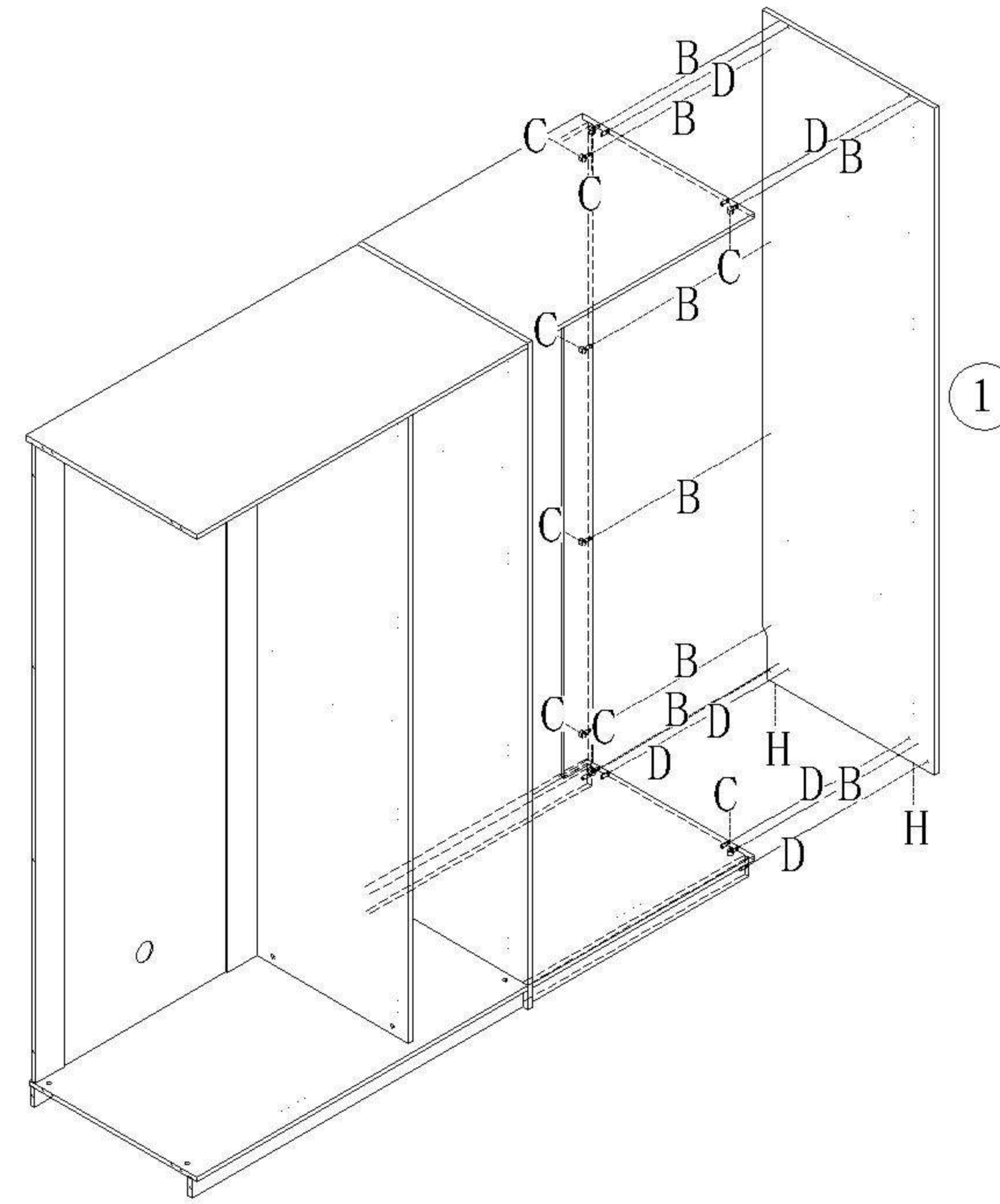
大二合一  
two-in-one

- (C)\*16 (K)\*8
- (H)\*2 (L)\*6



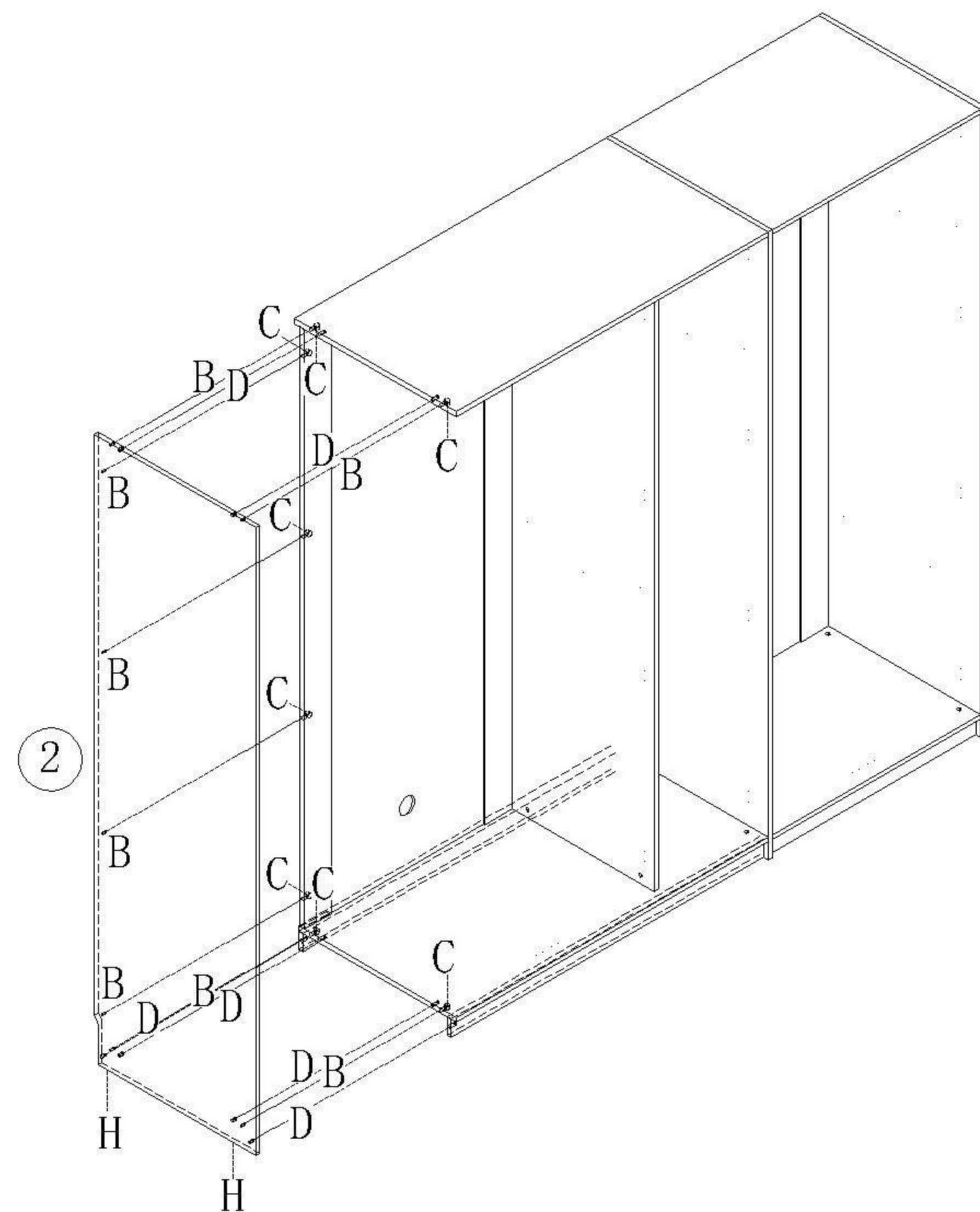
13

- (B)\*8
- (C)\*8
- (D)\*6
- (H)\*2



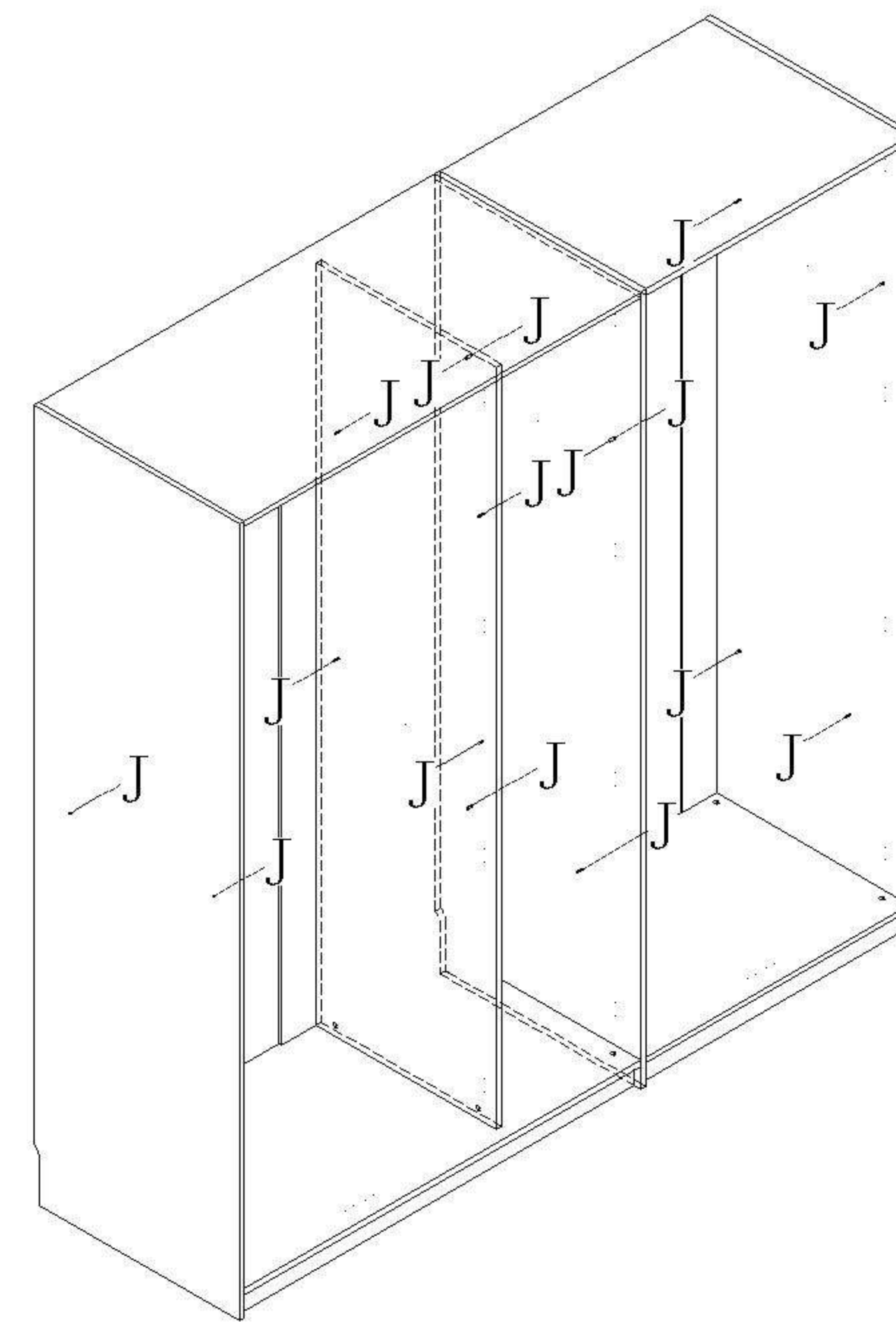
14

- (B)\*8
- (C)\*8
- (D)\*6
- (H)\*2



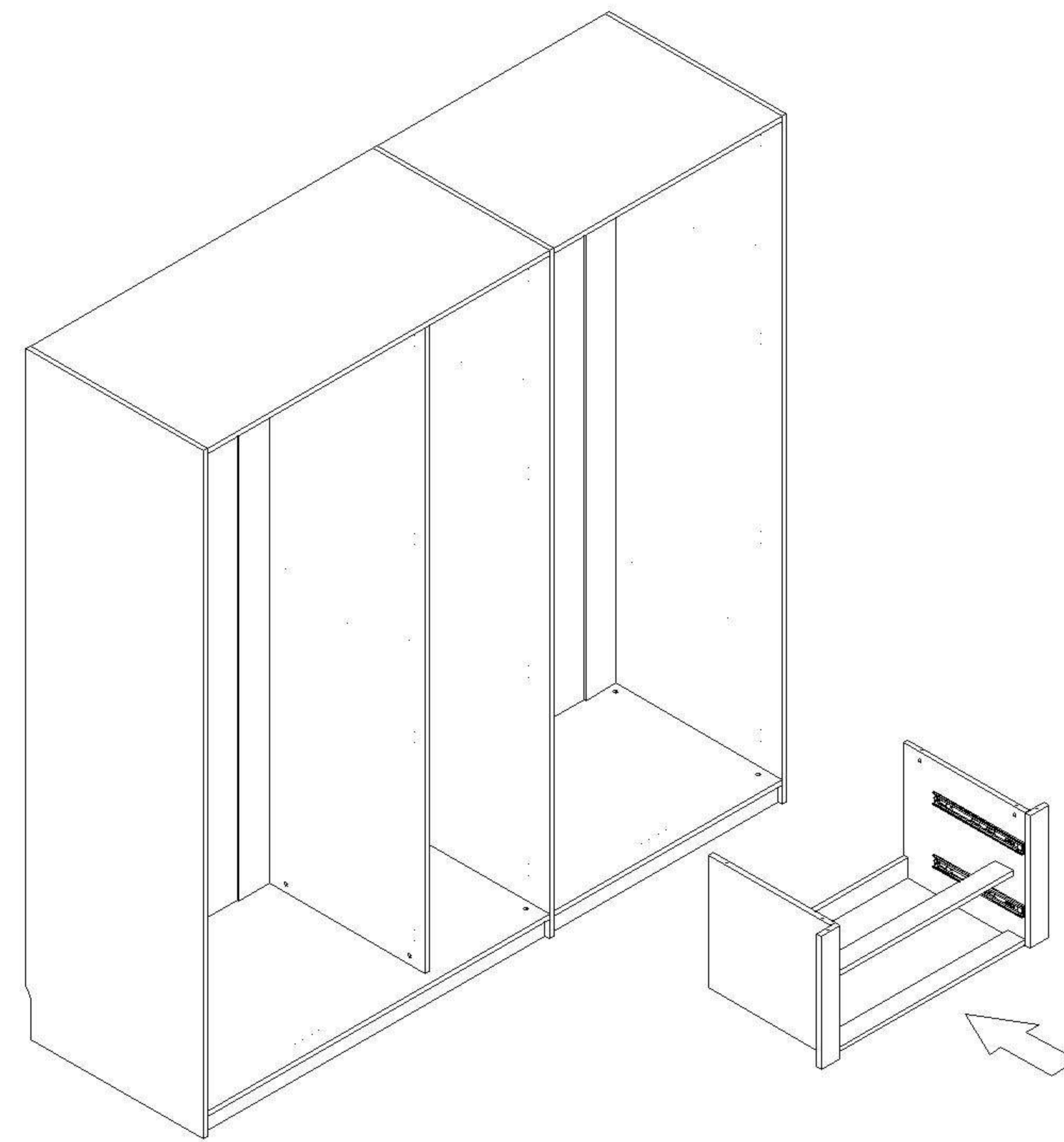
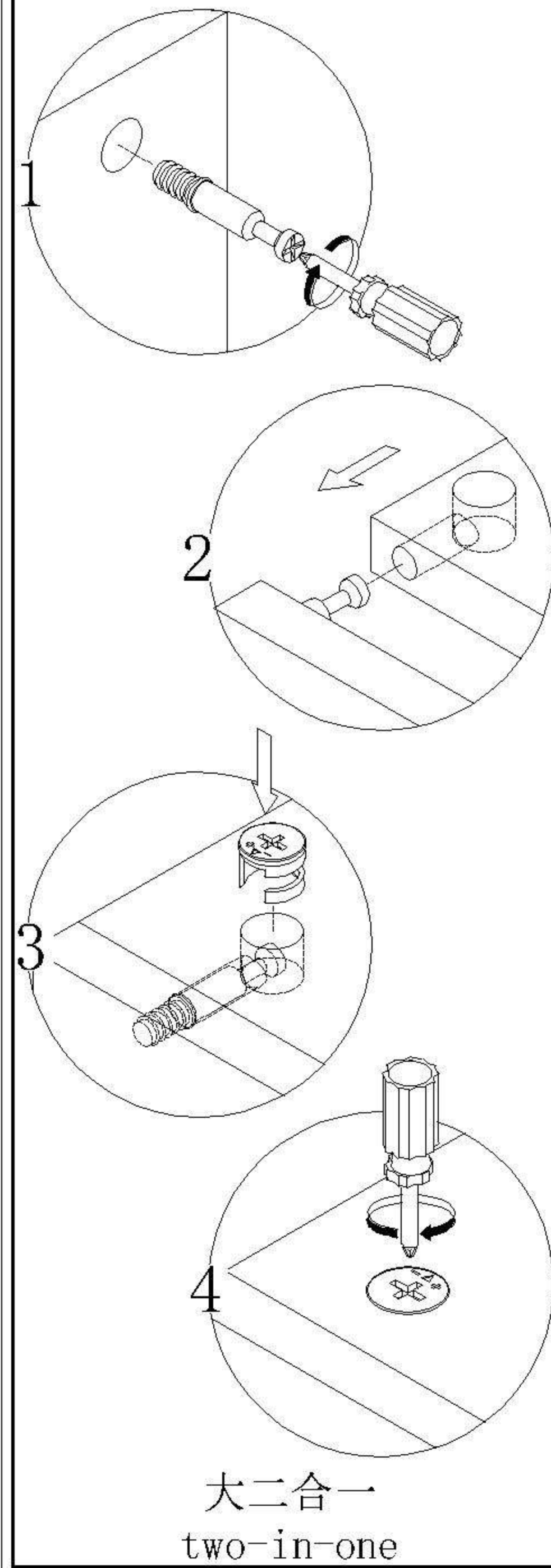
15

- (J)\*16



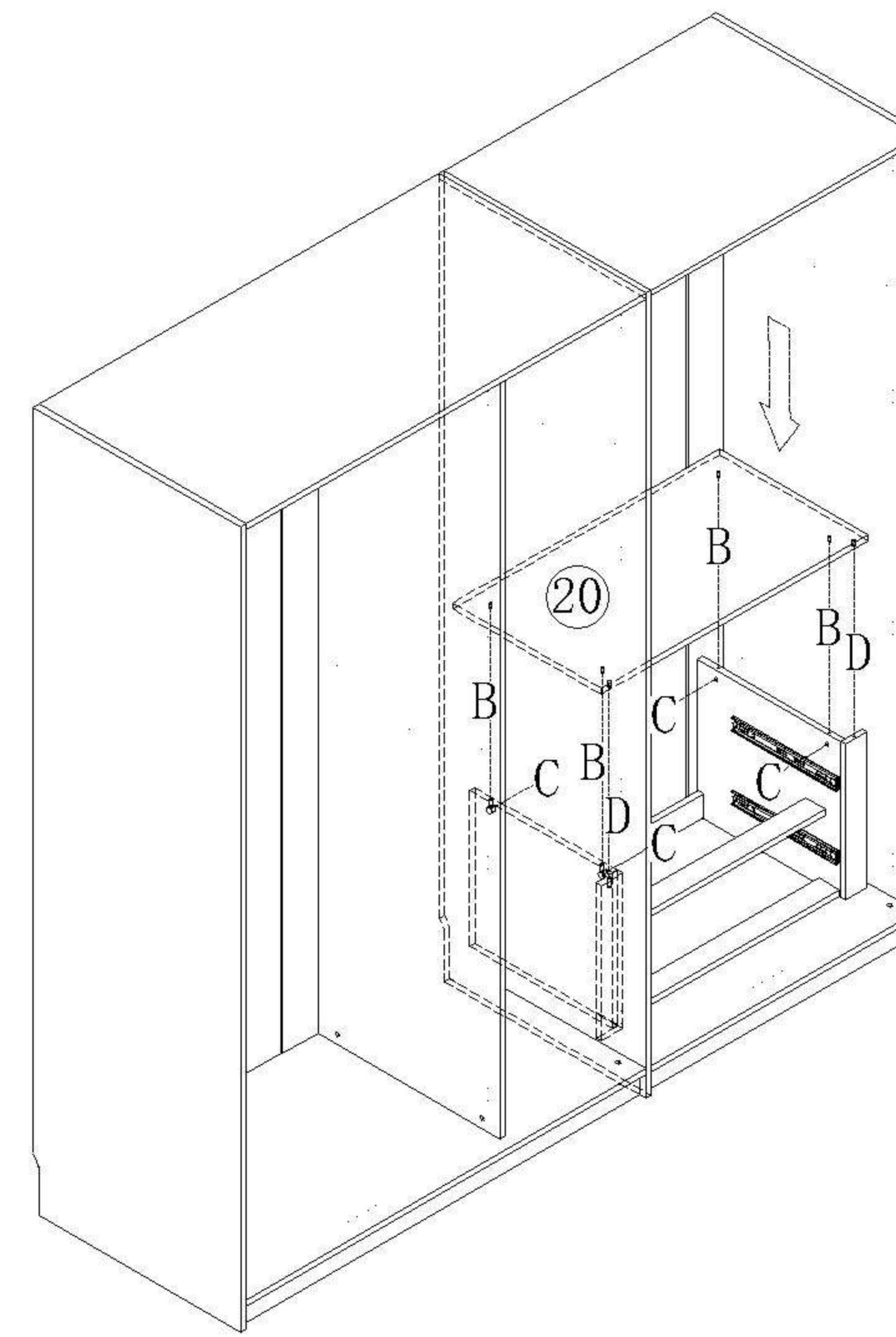
16

安装方法/  
Installation method

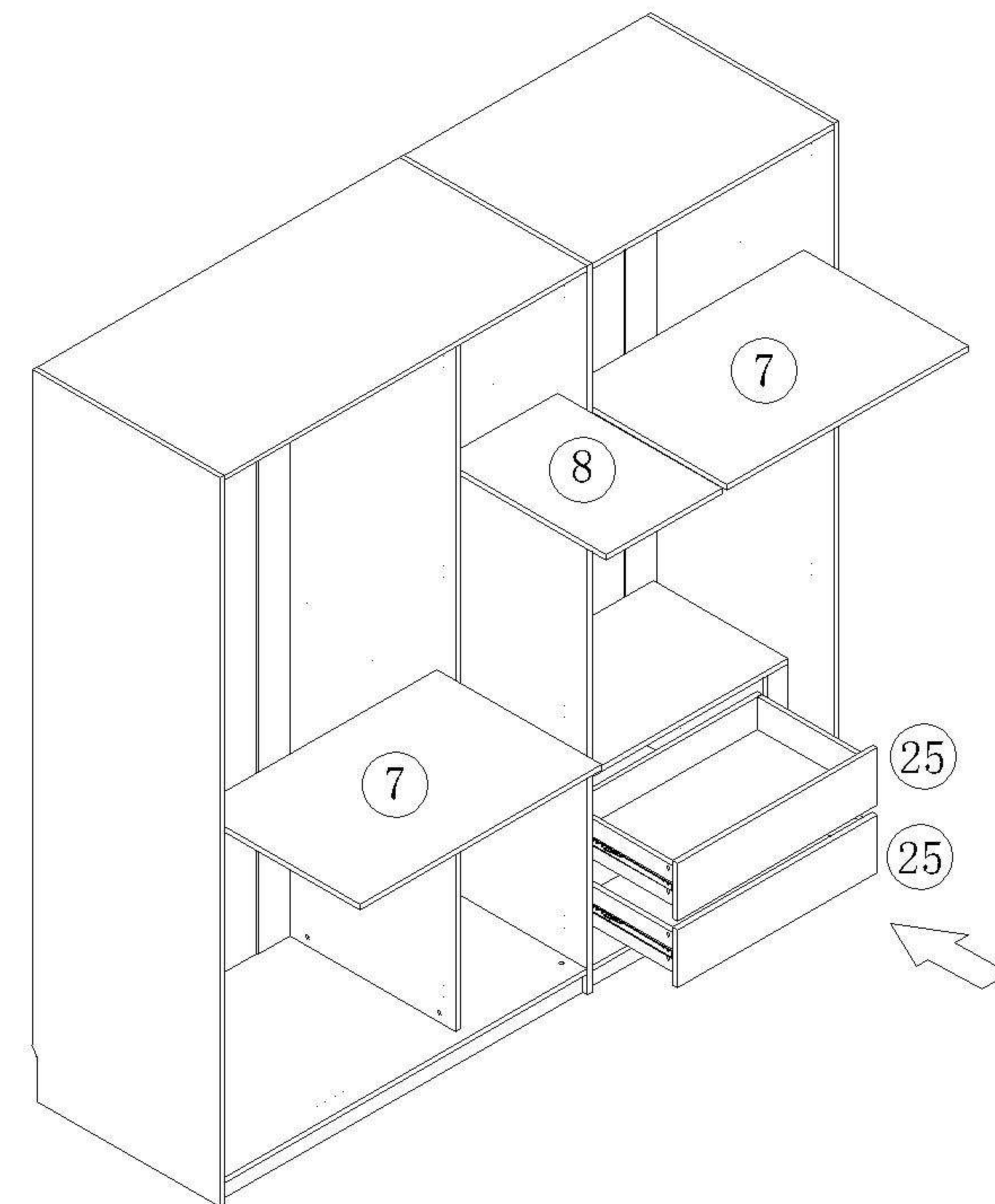


17

- (B)\*4
- (C)\*4
- (D)\*2

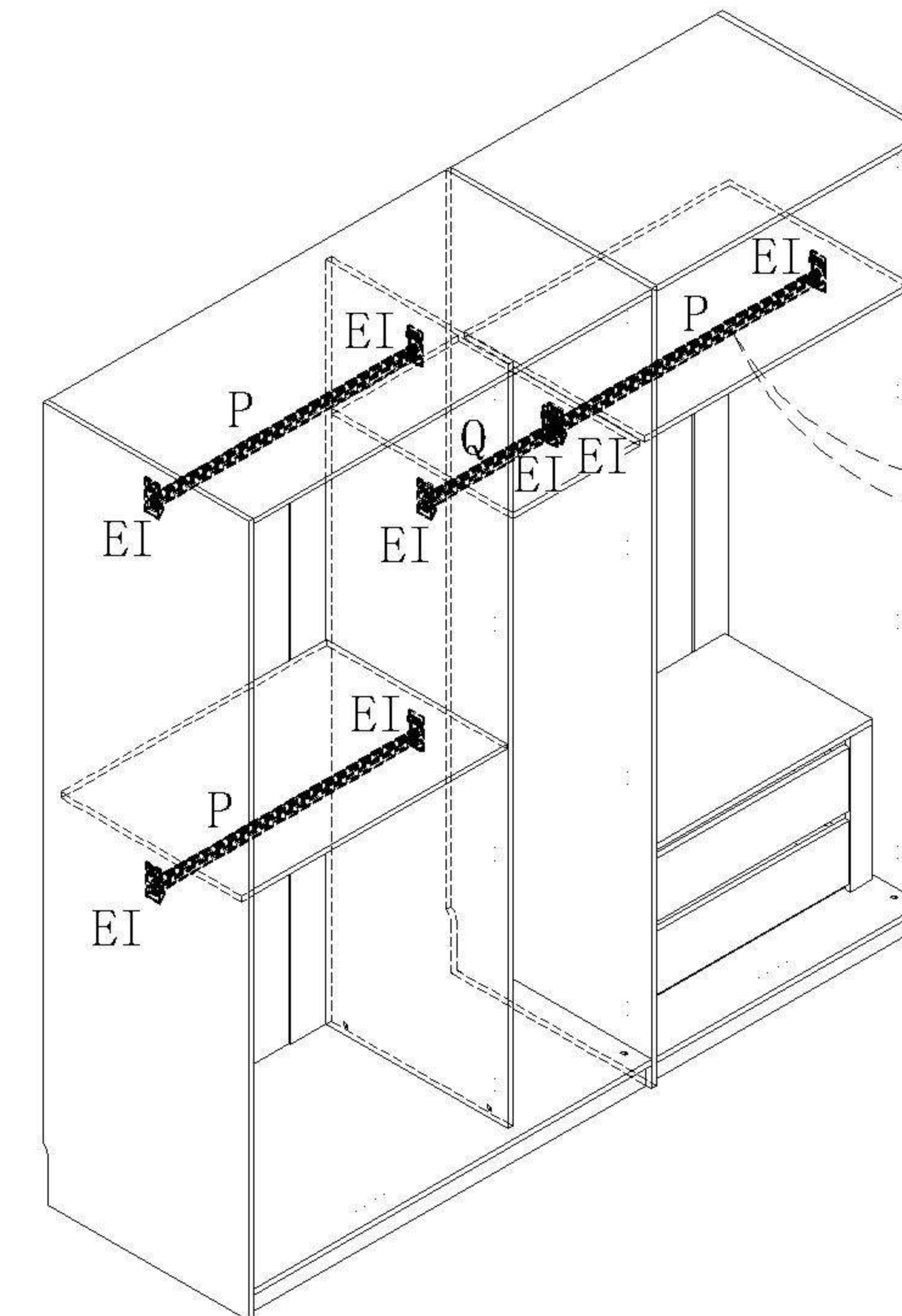


18



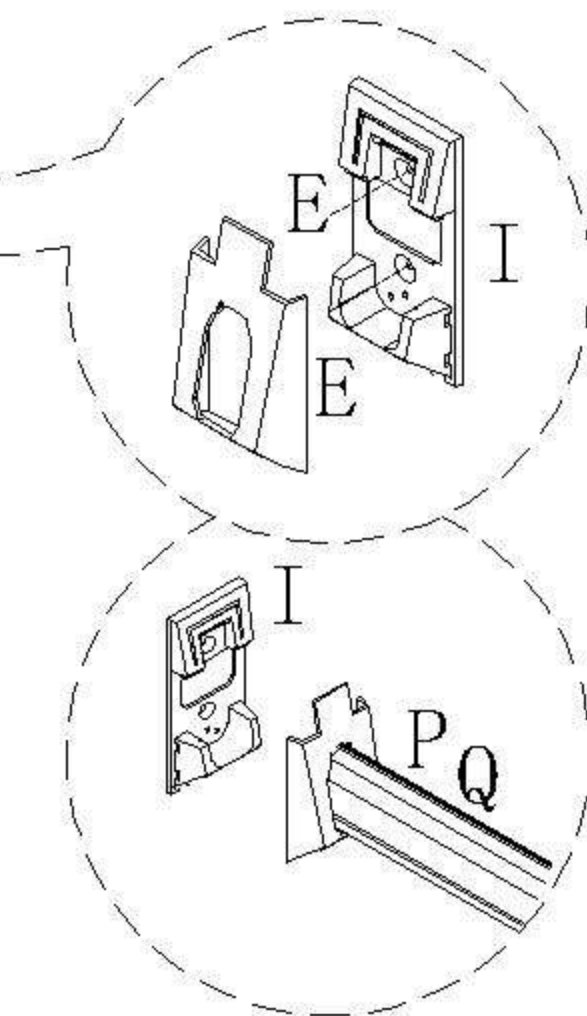
19

- (E)\*16
- (I)\*8
- (P)\*3
- (Q)\*1



20

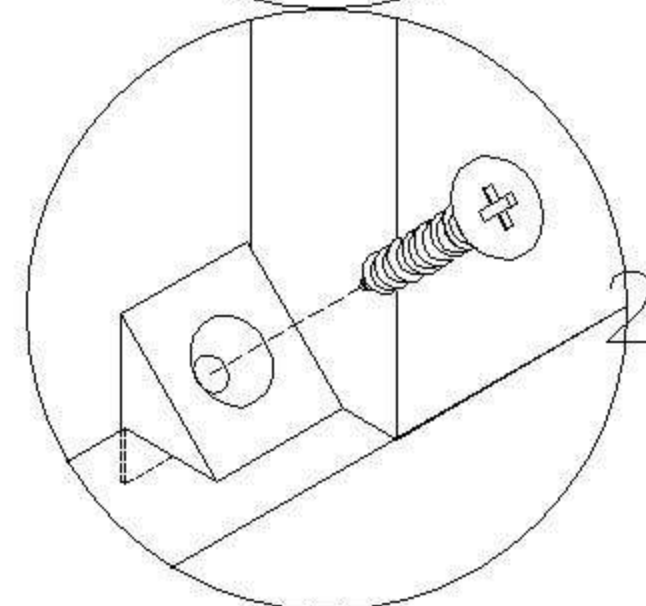
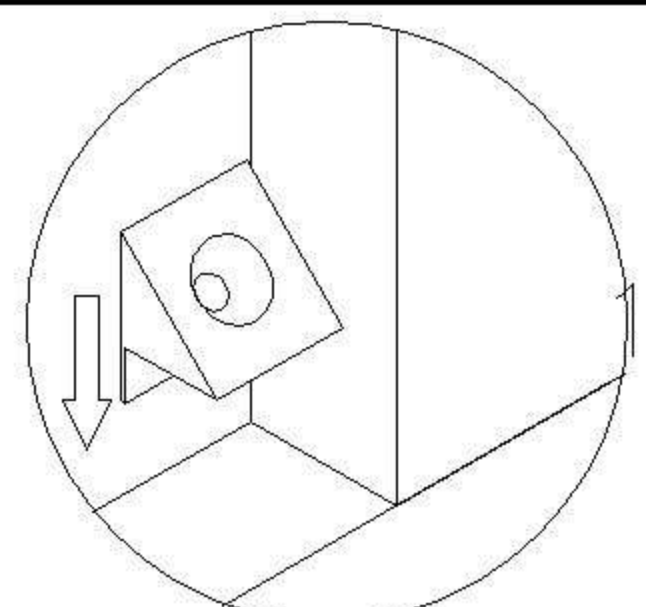
将五金I的盖子拆开再锁  
Remove the cover of  
hardware I and lock it



将五金 P Q 套进五金I的  
盖子再盖在五金I的底座上  
Put hardware P Q into  
the cover of hardware I  
and then cover the base  
of hardware I

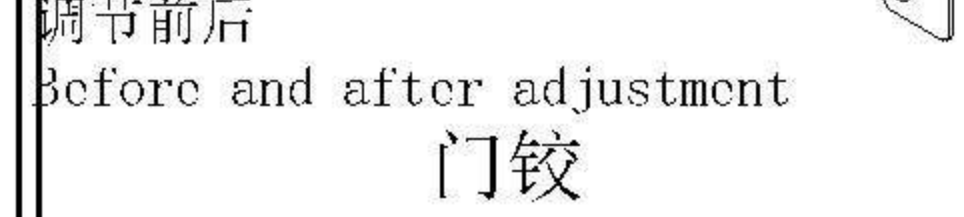
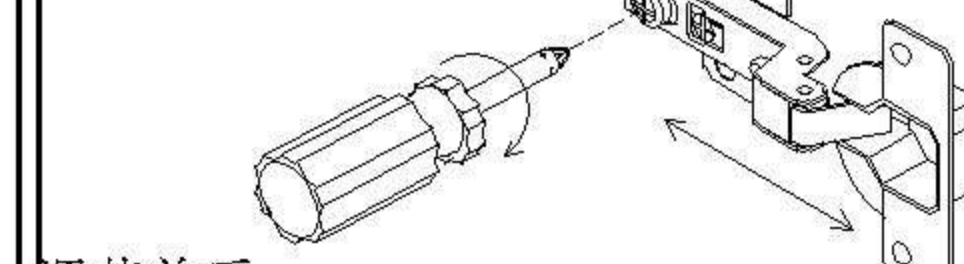
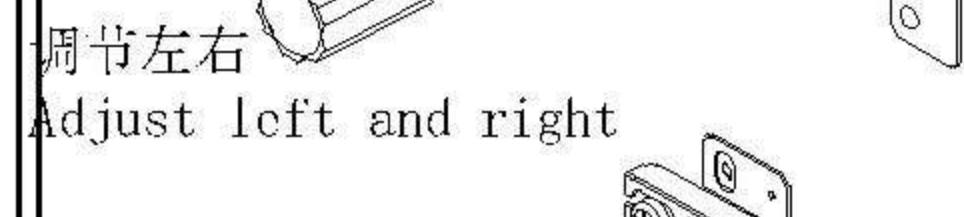
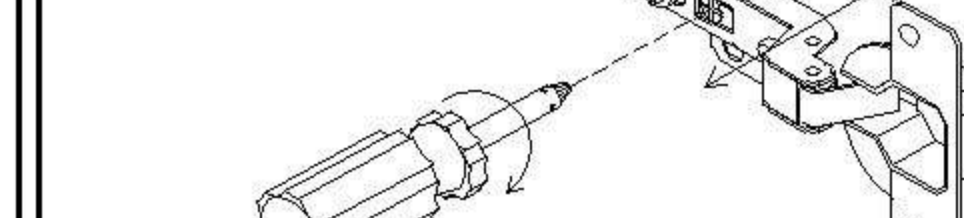
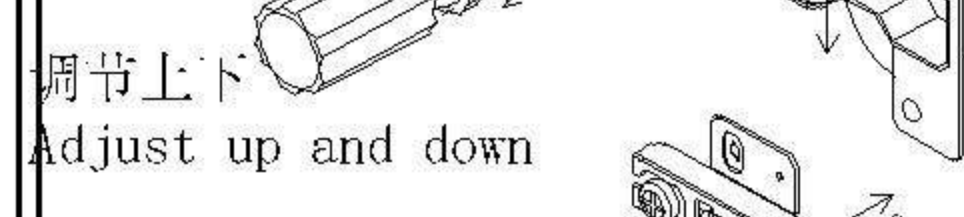
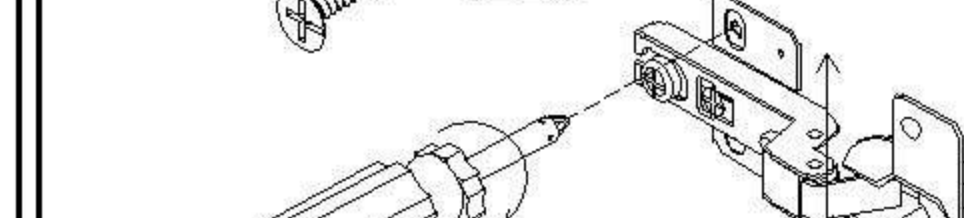
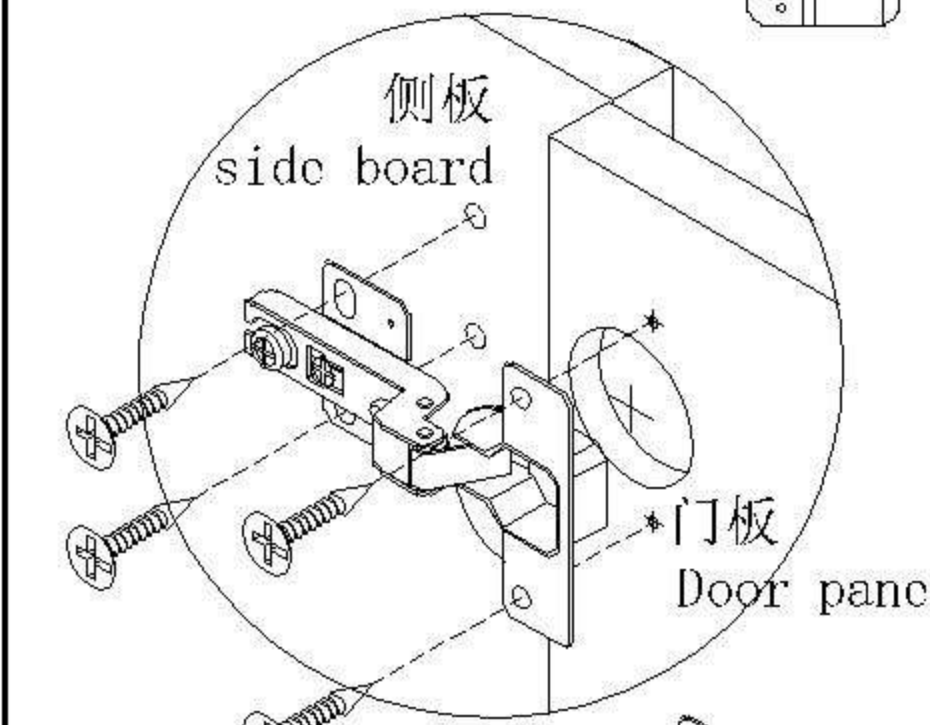
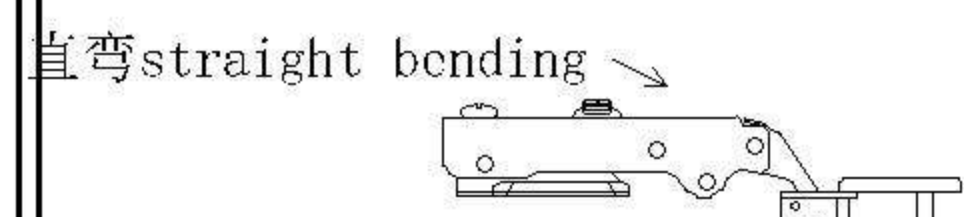
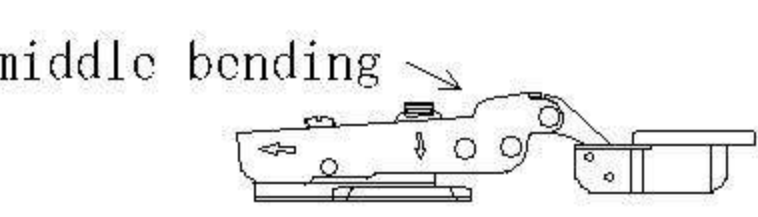
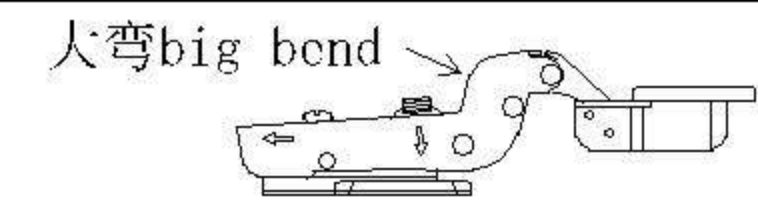
YZ1D-A 五门衣柜2.0m

安装方法/  
Installation method



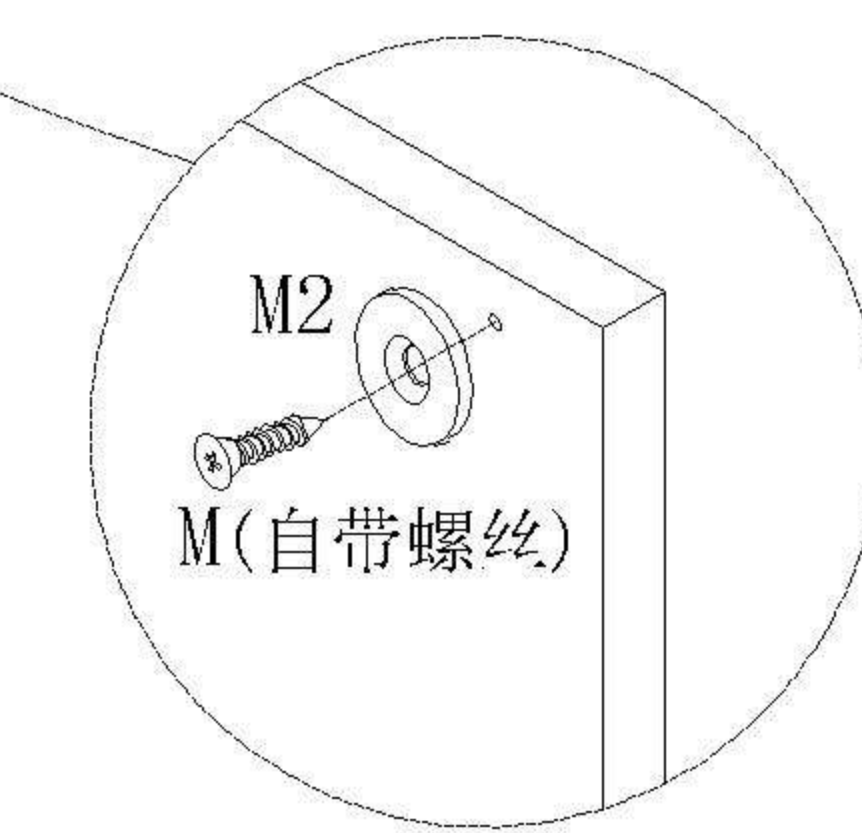
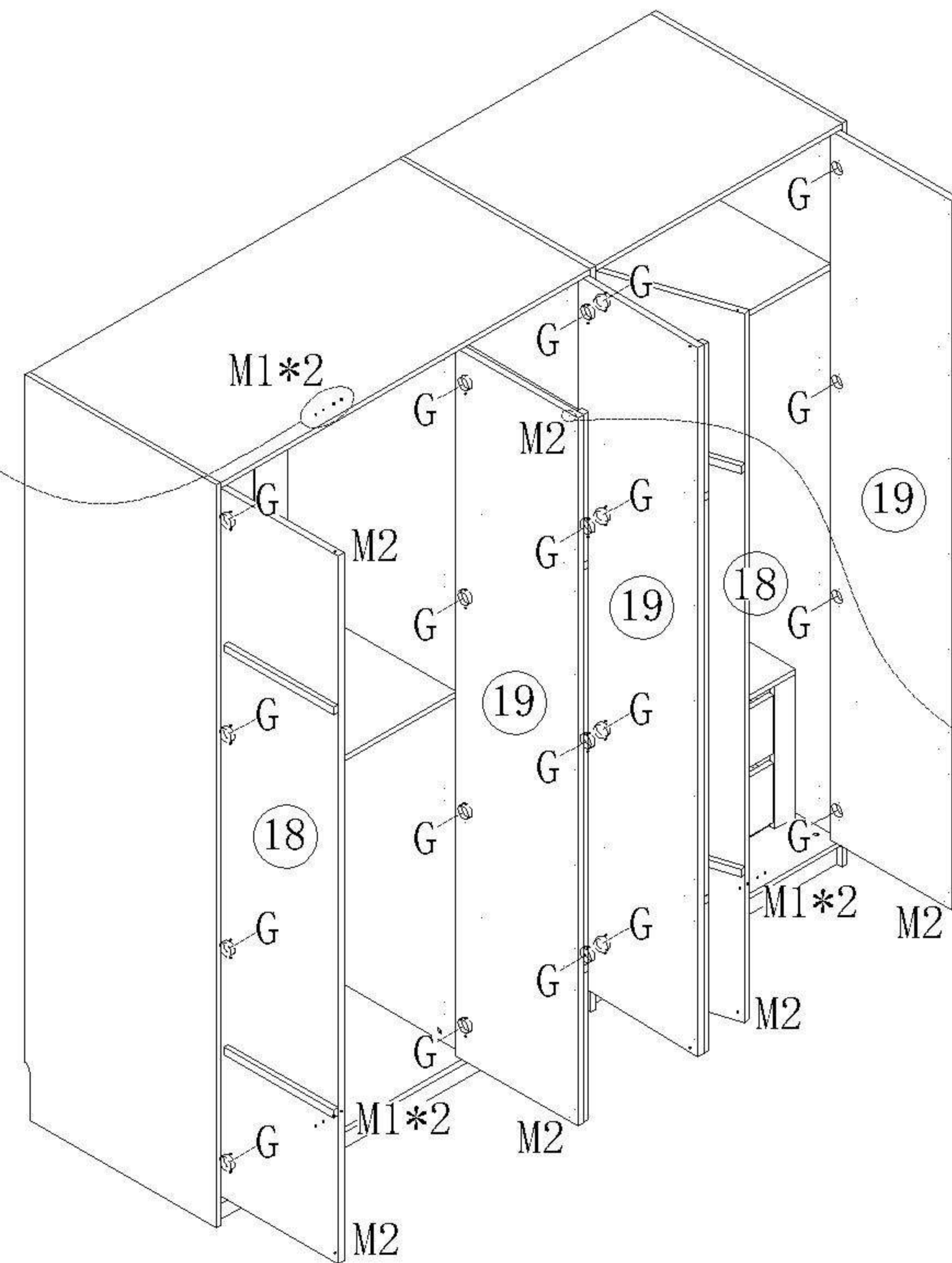
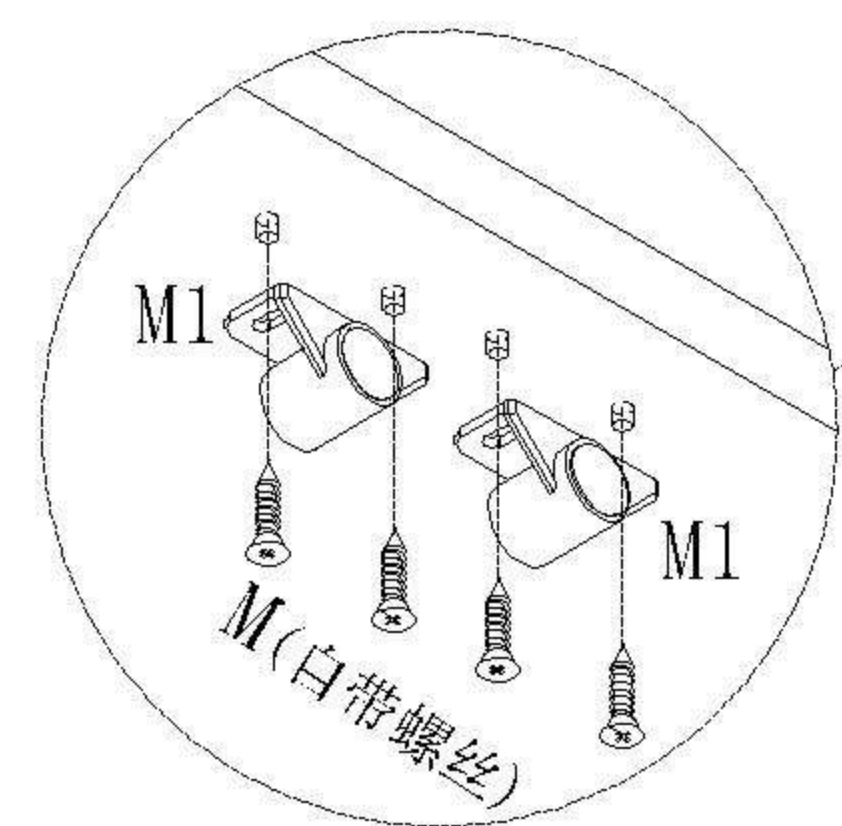
背板扣

Back Plate Buckle-White



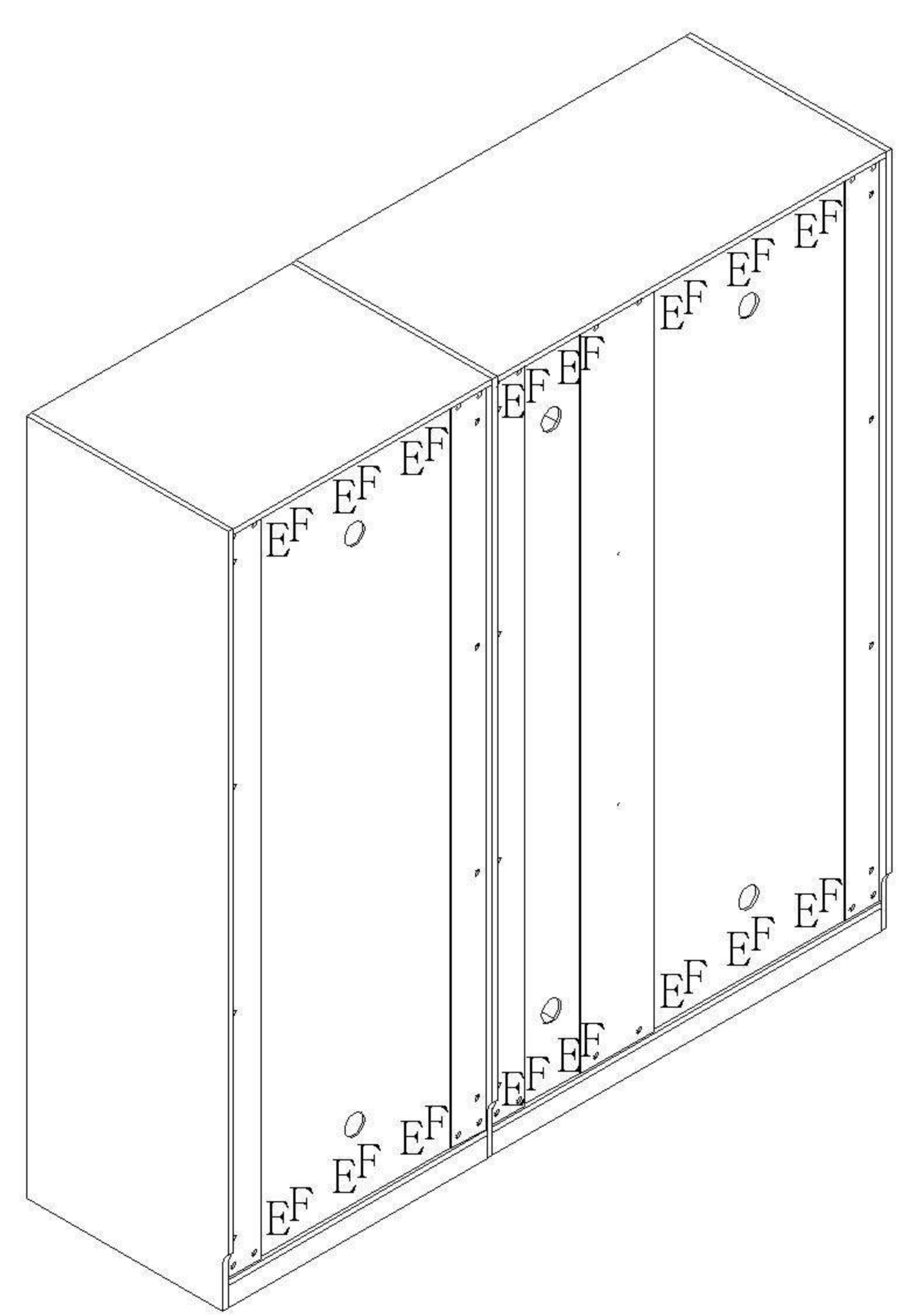
门铰  
Hinge

(G)\*20  
(M)\*6

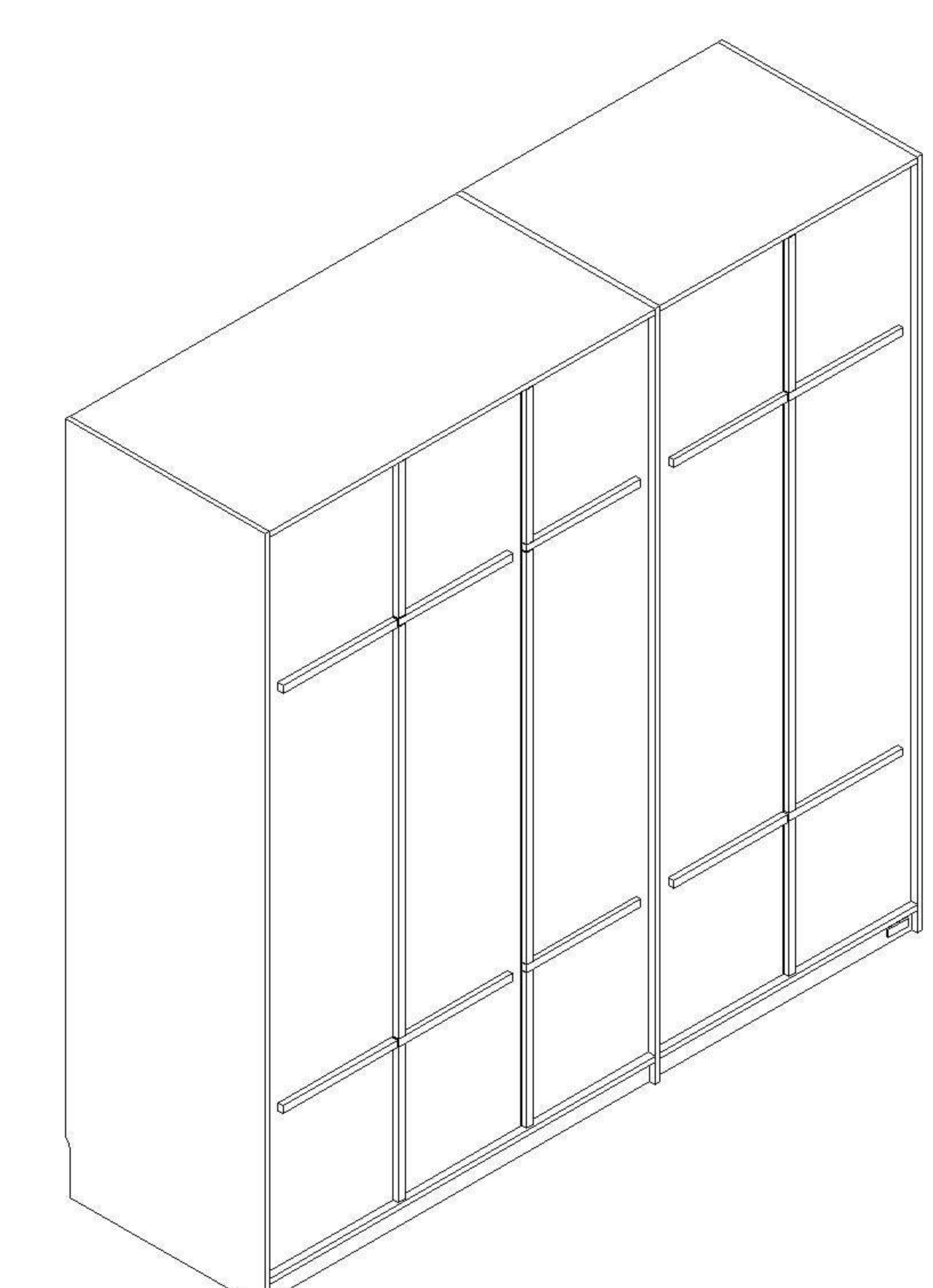


21

(E)\*16  
(F)\*16



22



23