

# LINSY 林氏家居

## 五金表/Hardware list

## 部件表/Parts List

安装示意图/Assembly Instruction

产品名称 Model NO.

四门衣柜2.0m

产品型号 Product Model

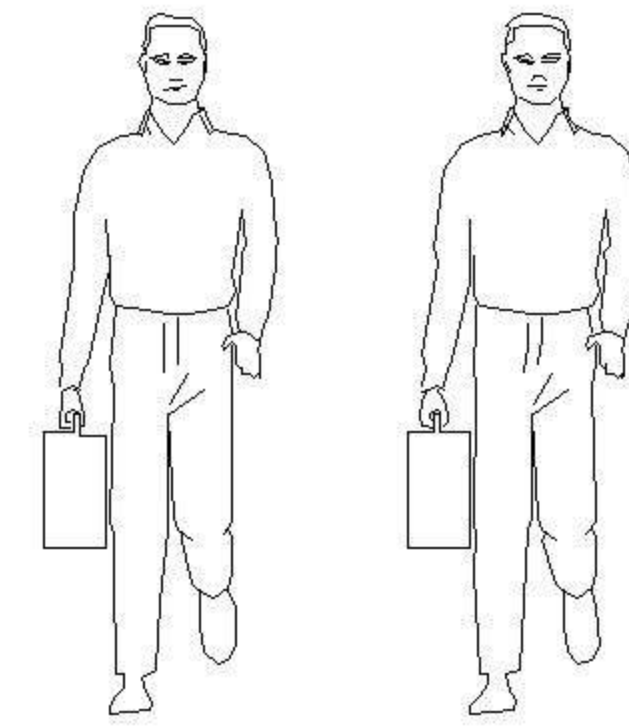
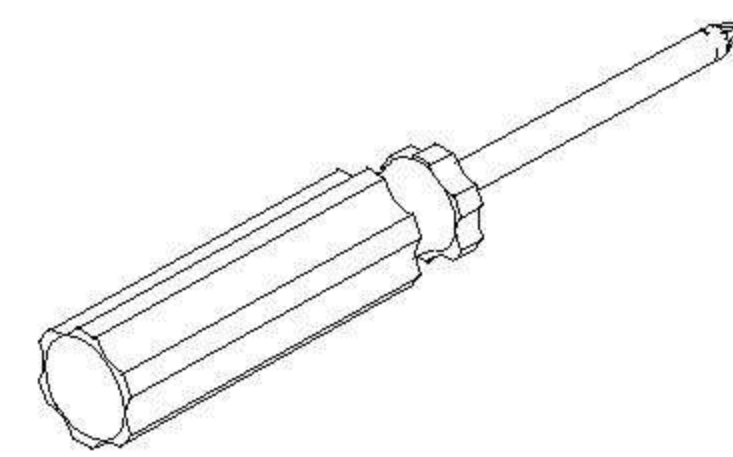
YZ1D-A

尺寸规格 Specification

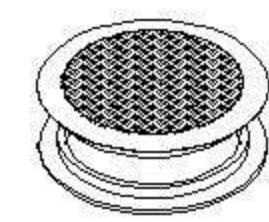
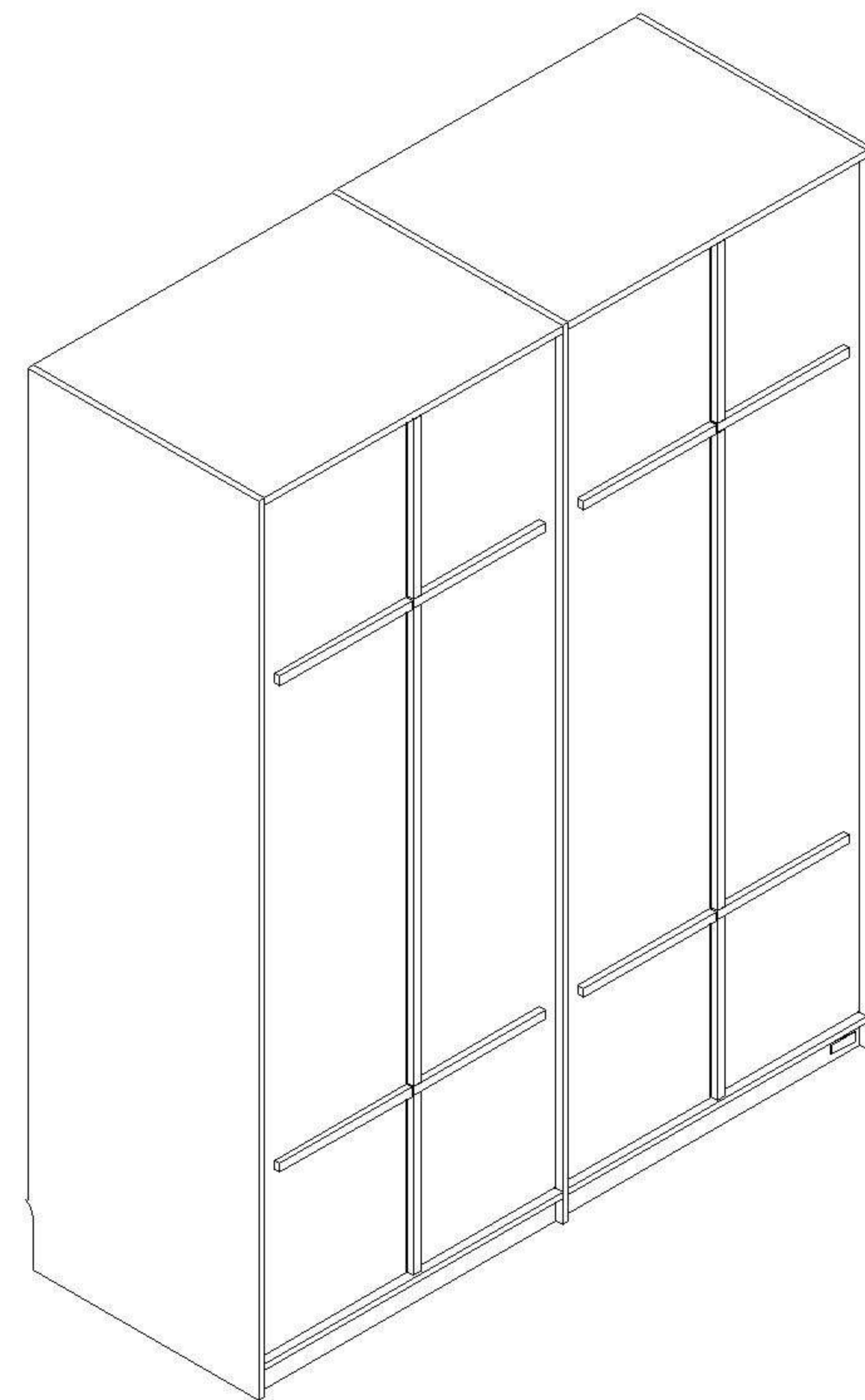
(1577\*594\*2003)mm

安装工具 Tool

安装人数 Installer



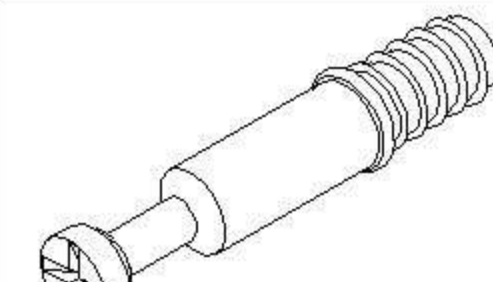
注：为保证设计效果，部分尺寸为定制尺寸，不影响使用。



(A)\* 4

透气孔盖

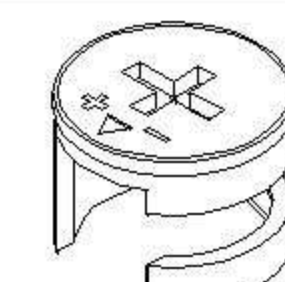
Vent cover white



(B)\* 42

二合一螺杆

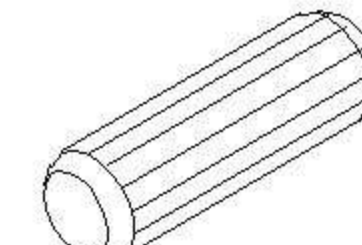
2 in 1 screw



(C)\* 59

大三合一锁饼

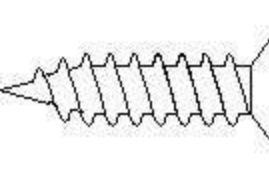
Three in one large lock



(D)\* 13

木榫Ø8x30mm

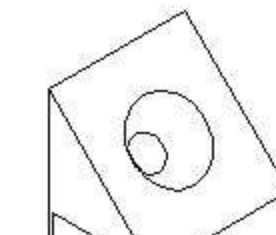
wood tenon



(E)\* 25

自攻螺丝M3.5x14mm

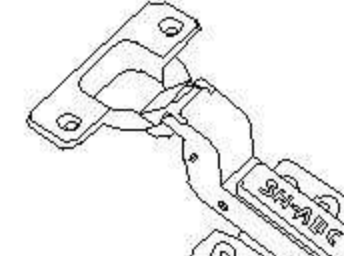
Self tapping screw



(F)\* 13

背板扣

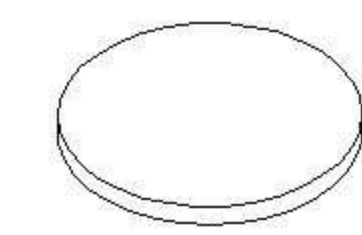
Back Plate Buckle White



(G)\* 16

缓冲门铰大弯-Ø35

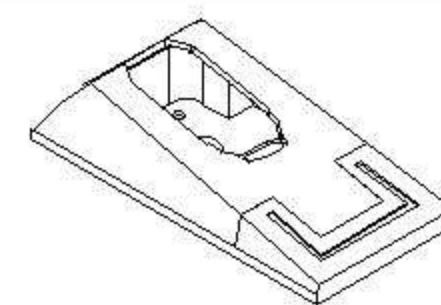
Hinge-big bends



(H)\* 14

脚垫

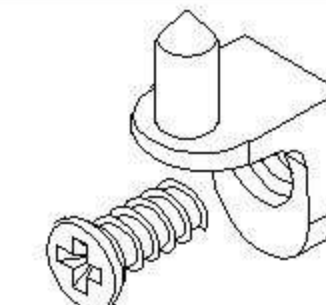
Footrest



(I)\* 6

挂衣杆托

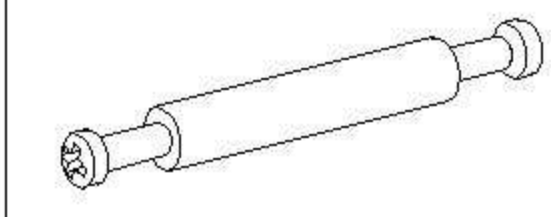
Clothes hanger



(J)\* 8

层板托

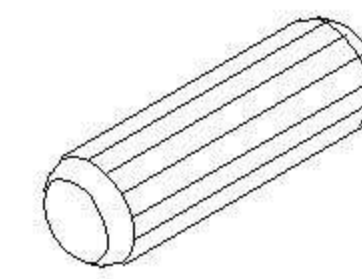
shelf support



(K)\* 8

双头三合一螺杆

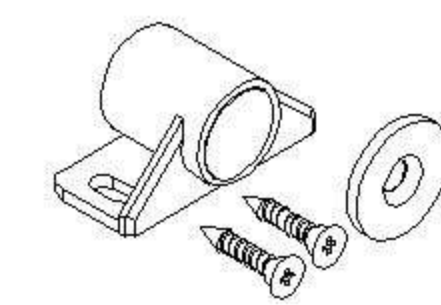
Double head 3-in-1 screw



(L)\* 6

木榫Ø8x50mm

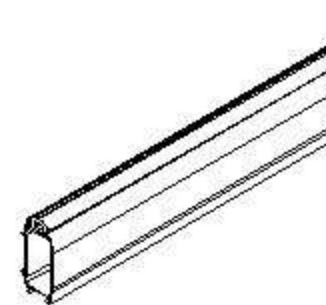
wood tenon



(M)\* 6

古铜色消音磁碰

magnetic catch



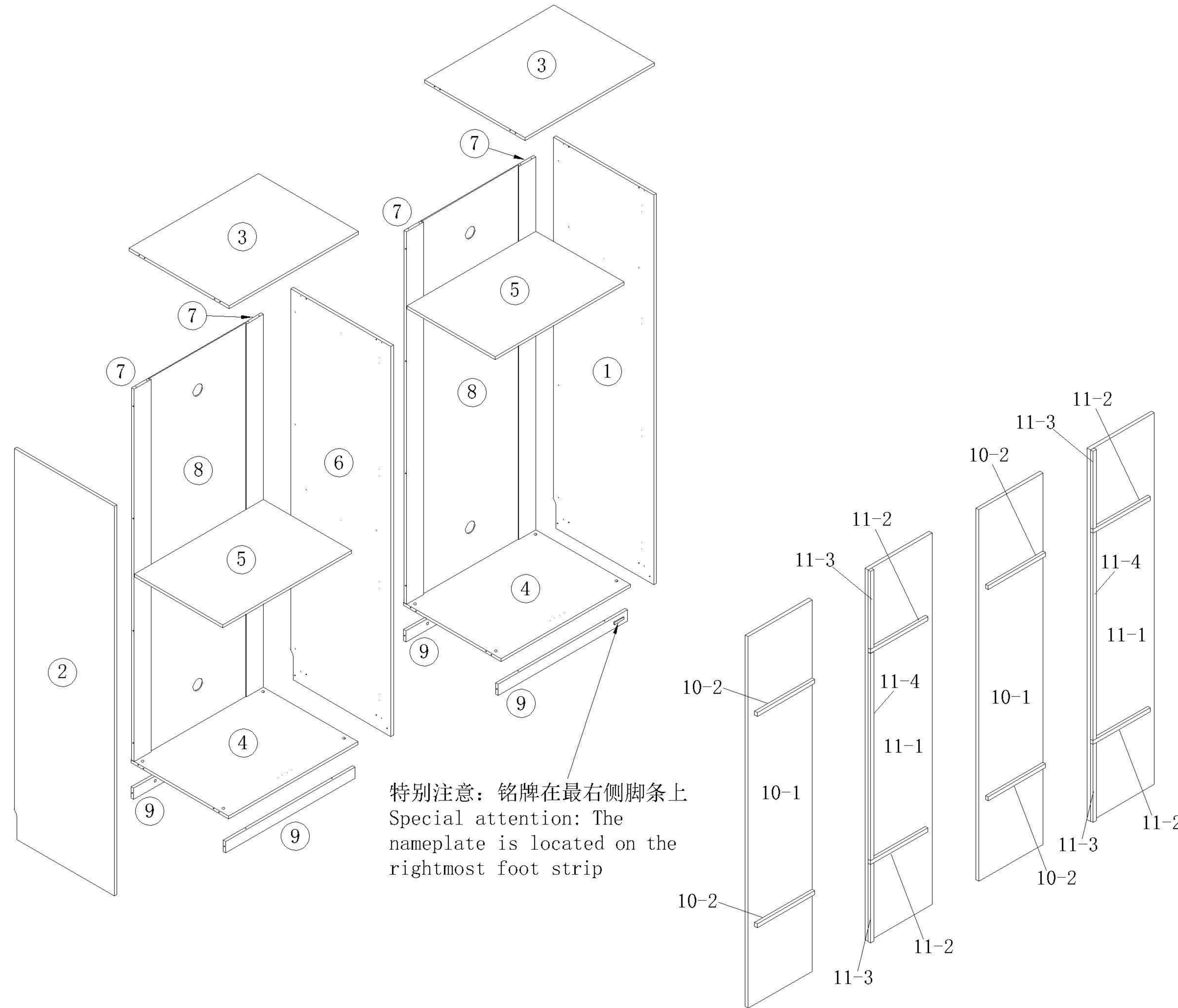
(N)\* 3

挂衣杆-L=758mm

Clothes hanging rod

编号NO.	名称Name	规格 (mm) Specification	数量QTY	材质Material
①	右侧板Side board (R)	2000*594*15	1	刨花板 Particle board
②	左侧板Side board (L)	2000*594*15	1	刨花板 Particle board
③	顶板Top board	766*594*15	2	刨花板 Particle board
④	底板Bottom board	766*579*15	2	刨花板 Particle board
⑤	活动层板 Movable shelf	765*522*15	2	刨花板 Particle board
⑥	中侧板Middle side board	2000*594*15	1	刨花板 Particle board
⑦	边背拉条Side back brace	1912*101*15	4	刨花板 Particle board
⑧	背板Back board	1922*575*5	2	纤维板 Fiberboard
⑨	前脚条Front foot strip	766*58*15	4	刨花板 Particle board
⑩	左门板组立Door board assembly (L)	1906*380*33	2	刨花板+白蜡木 Particle board+Ash
10-1	左门板Door board (L)	1906*380*18	2	刨花板 Particle board
10-2	门板装饰条1 Door panel decorative strip 1	340*15*20	4	白蜡木 Ash
⑪	右门板组立Door board assembly (R)	1906*380*33	2	刨花板+白蜡木 Particle board+Ash
11-1	右门板Door board (R)	1906*380*18	2	刨花板 Particle board
11-2	门板装饰条1 Door panel decorative strip 1	340*15*20	4	白蜡木 Ash
11-3	门板装饰条2 Door panel decorative strip 2	400*15*20	4	白蜡木 Ash
11-4	门板装饰条3 Door panel decorative strip 3	1063*15*20	2	白蜡木 Ash

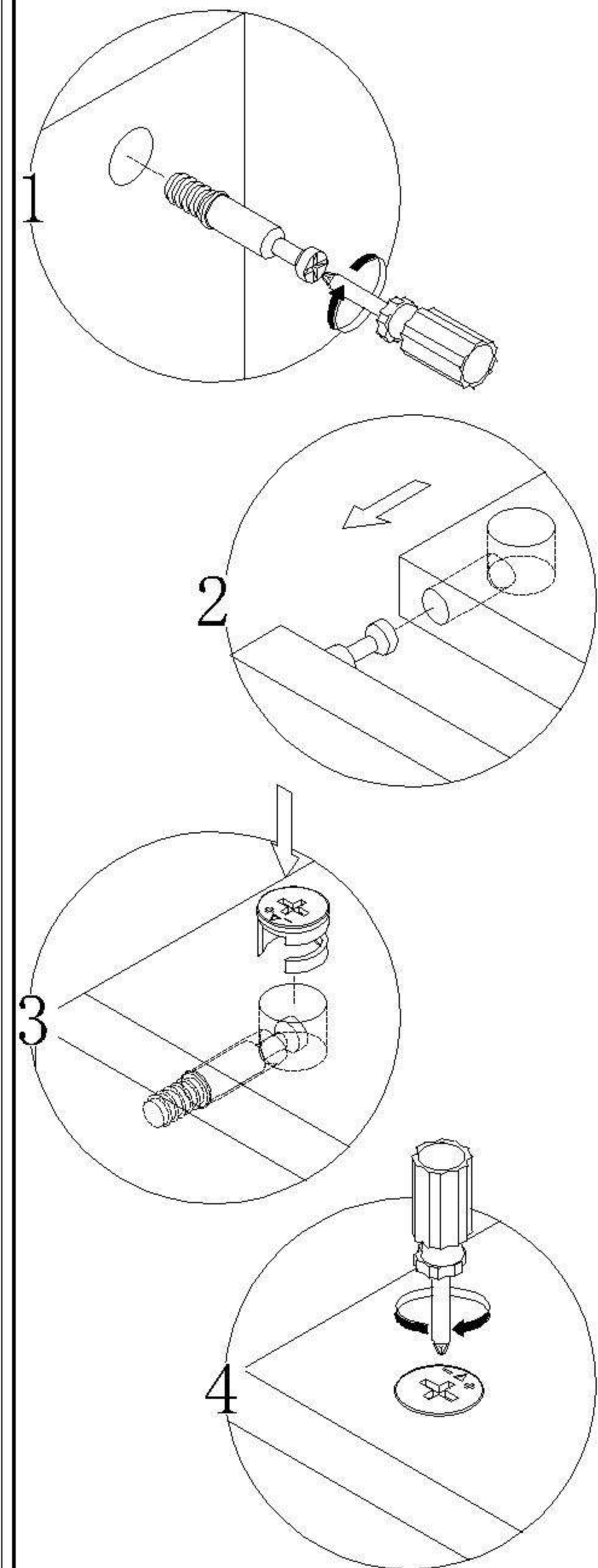
警告：门板与柜体有设计所需的开启间隙，小心夹伤  
Warning: The door panel and the cabinet have the opening gap required by the design, beware of clamping



编号NO.	名称Name
①	右侧板Side board (R)
②	左侧板Side board (L)
③	顶板Top board
④	底板Bottom board
⑤	活动层板 Movable shelf
⑥	中侧板Middle side board
⑦	边背拉条Side back brace
⑧	背板Back board
⑨	前脚条Front foot strip
⑩	左门板组立Door board assembly (L)
10-1	左门板Door board (L)
10-2	门板装饰条1 Door panel decorative strip 1
⑪	右门板组立Door board assembly (R)
11-1	右门板Door board (R)
11-2	门板装饰条1 Door panel decorative strip 1
11-3	门板装饰条2 Door panel decorative strip 2
11-4	门板装饰条3 Door panel decorative strip 3

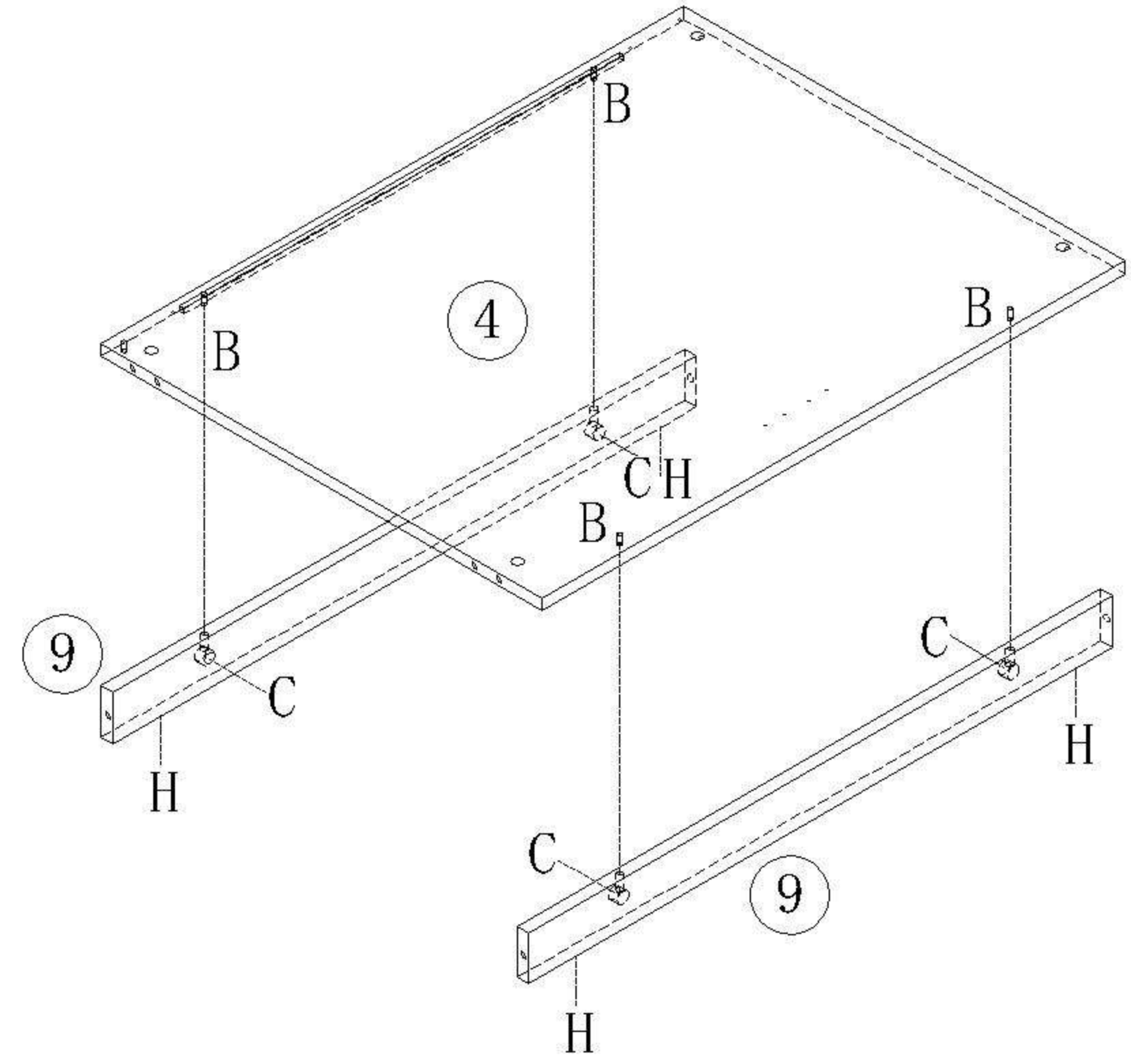
YZ1D-A 四门衣柜2.0m

安装方法/  
Installation method



大二合一  
two-in-one

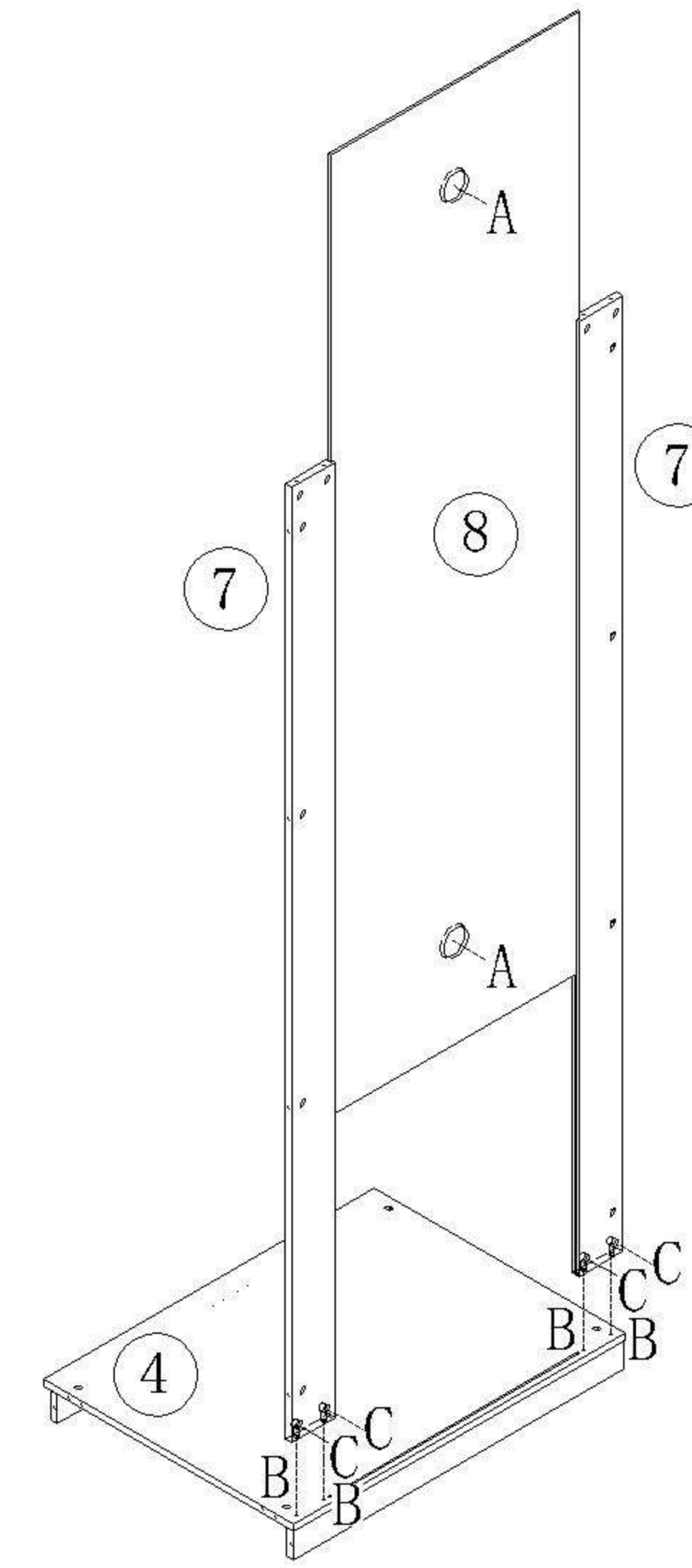
- (B)\*8
- (C)\*8
- (H)\*8



X2

1

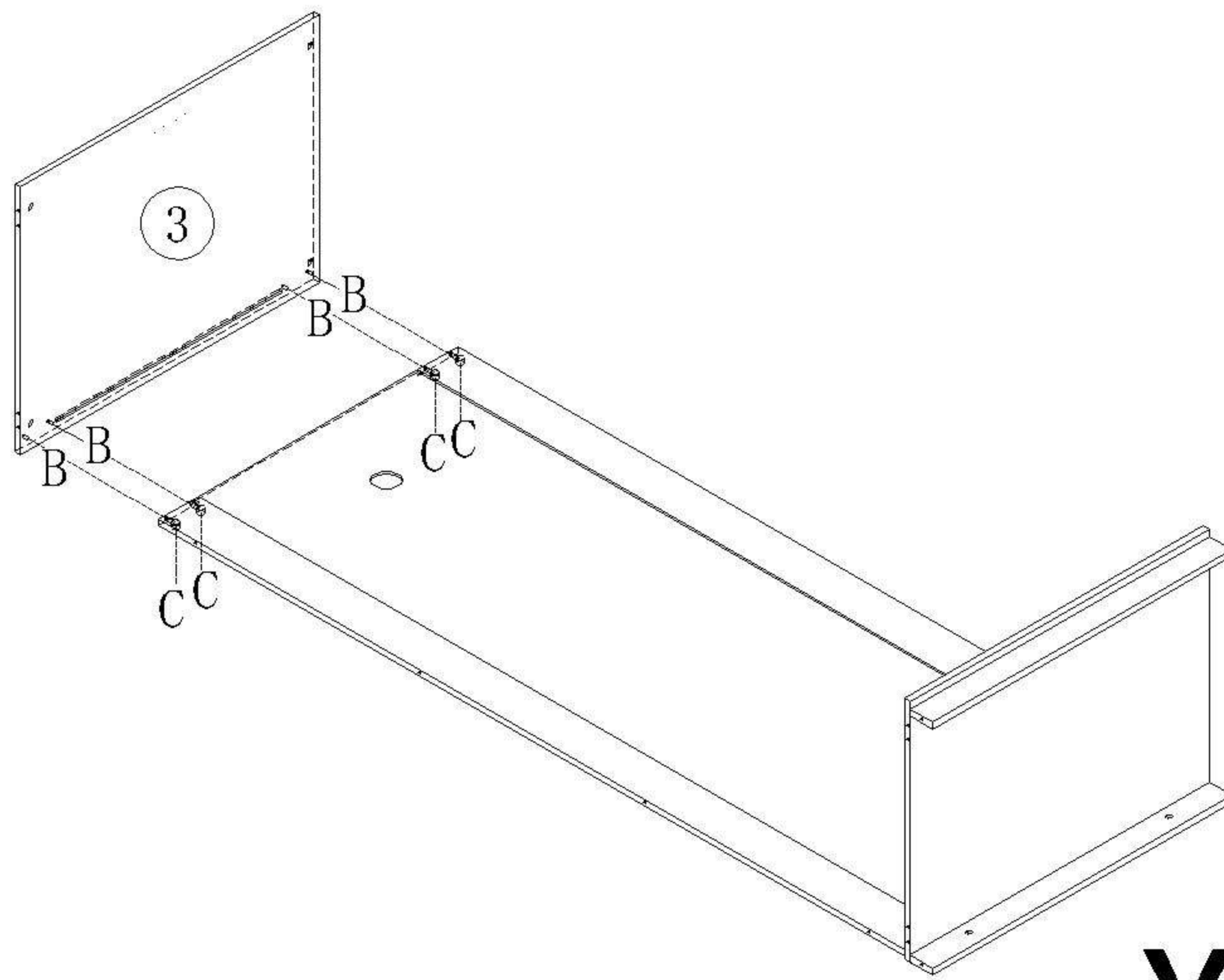
- (A)\*4
- (B)\*8
- (C)\*8



X2

2

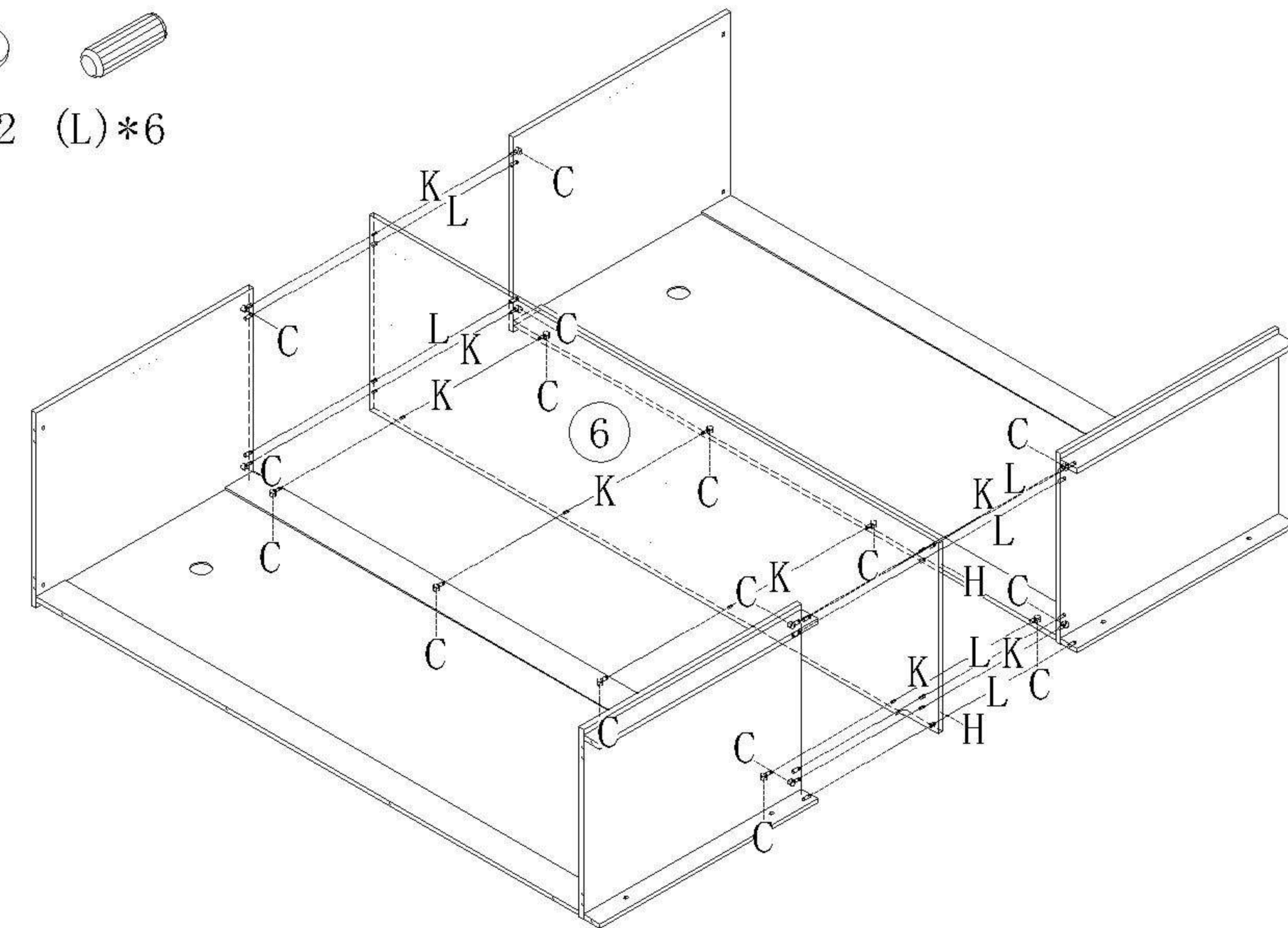
- (B)\*8
- (C)\*8



X2

3

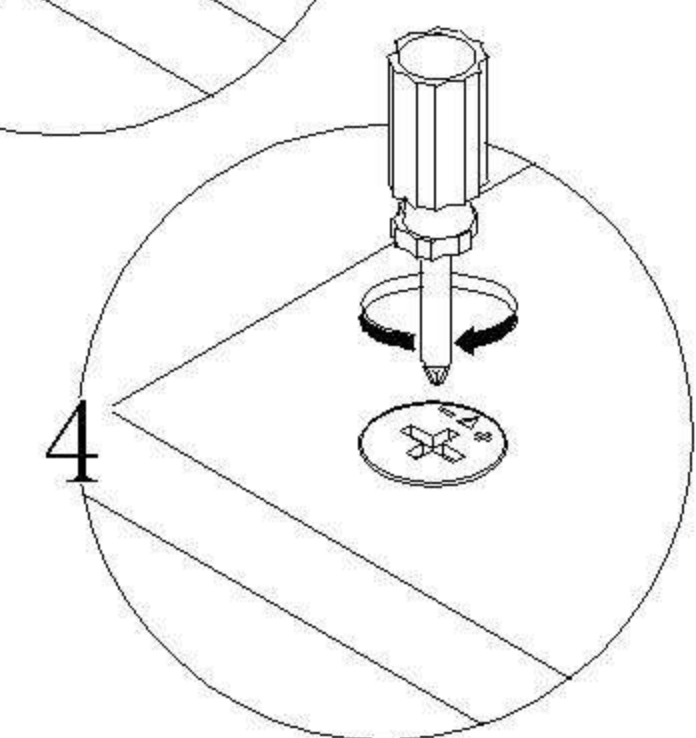
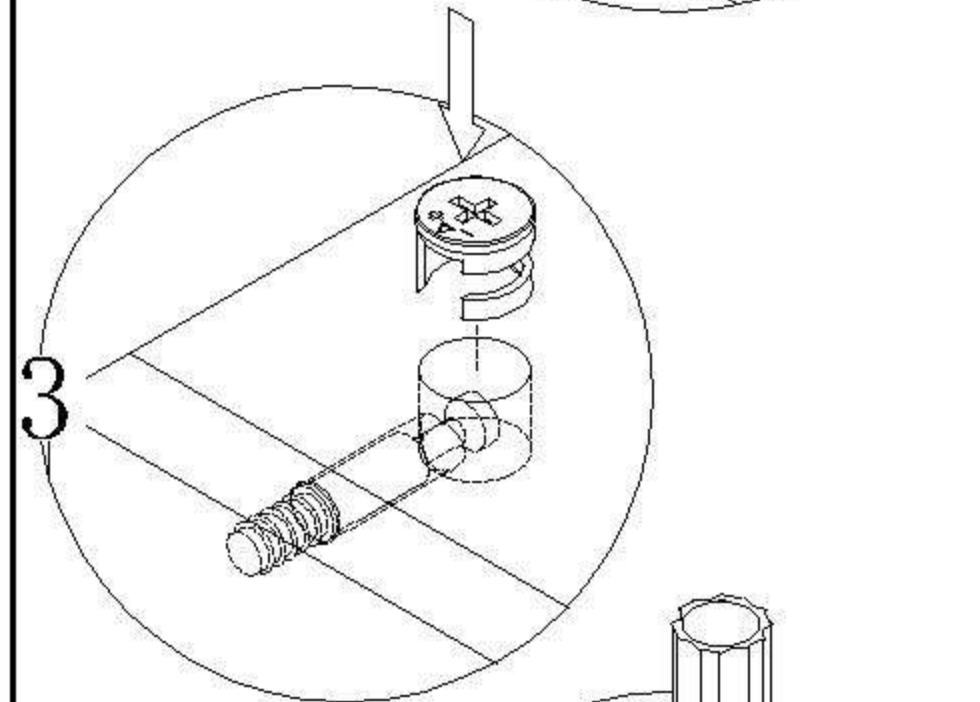
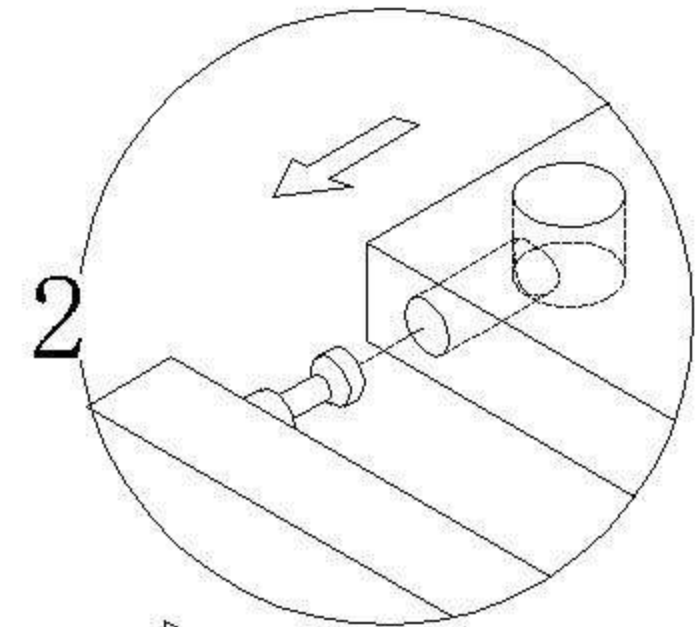
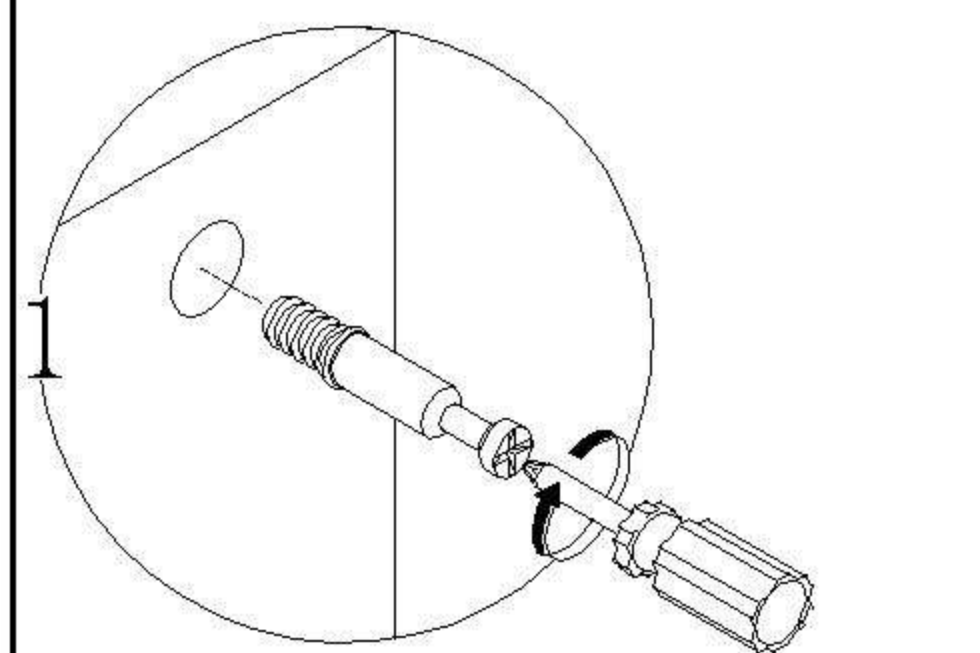
- (C)\*16
- (K)\*8
- (H)\*2
- (L)\*6



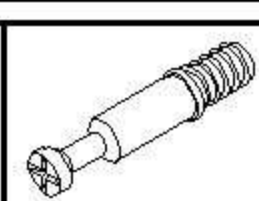
4

YZ1D-A 四门衣柜2.0m

安装方法/  
Installation method



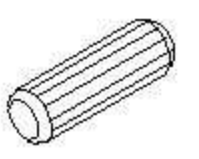
大二合一  
two-in-one



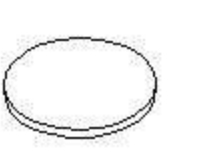
(B)\*8



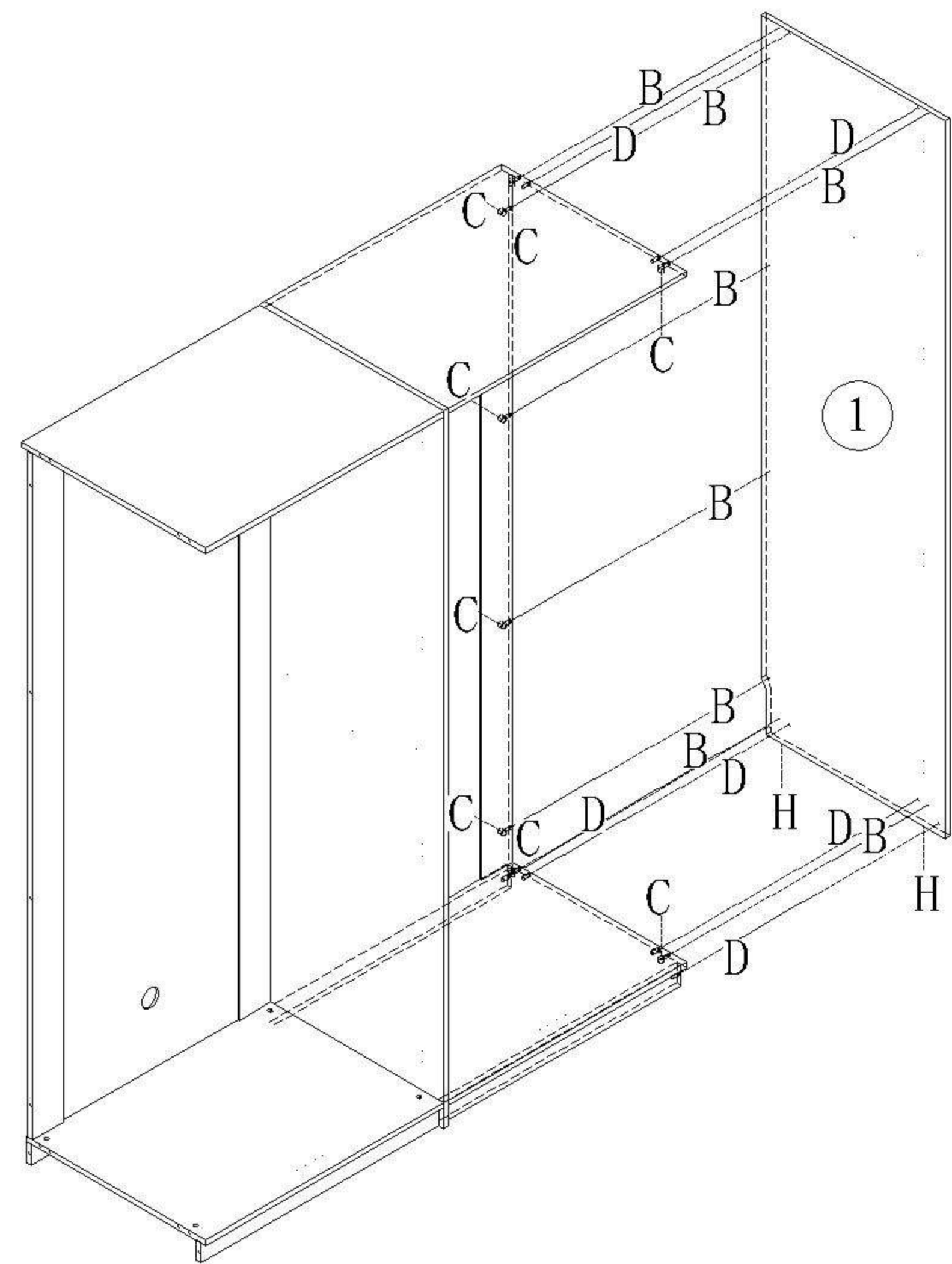
(C)\*8



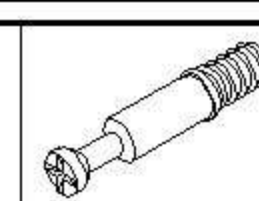
(D)\*6



(H)\*2



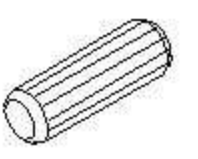
5



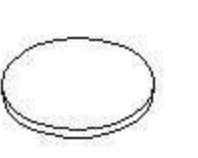
(B)\*8



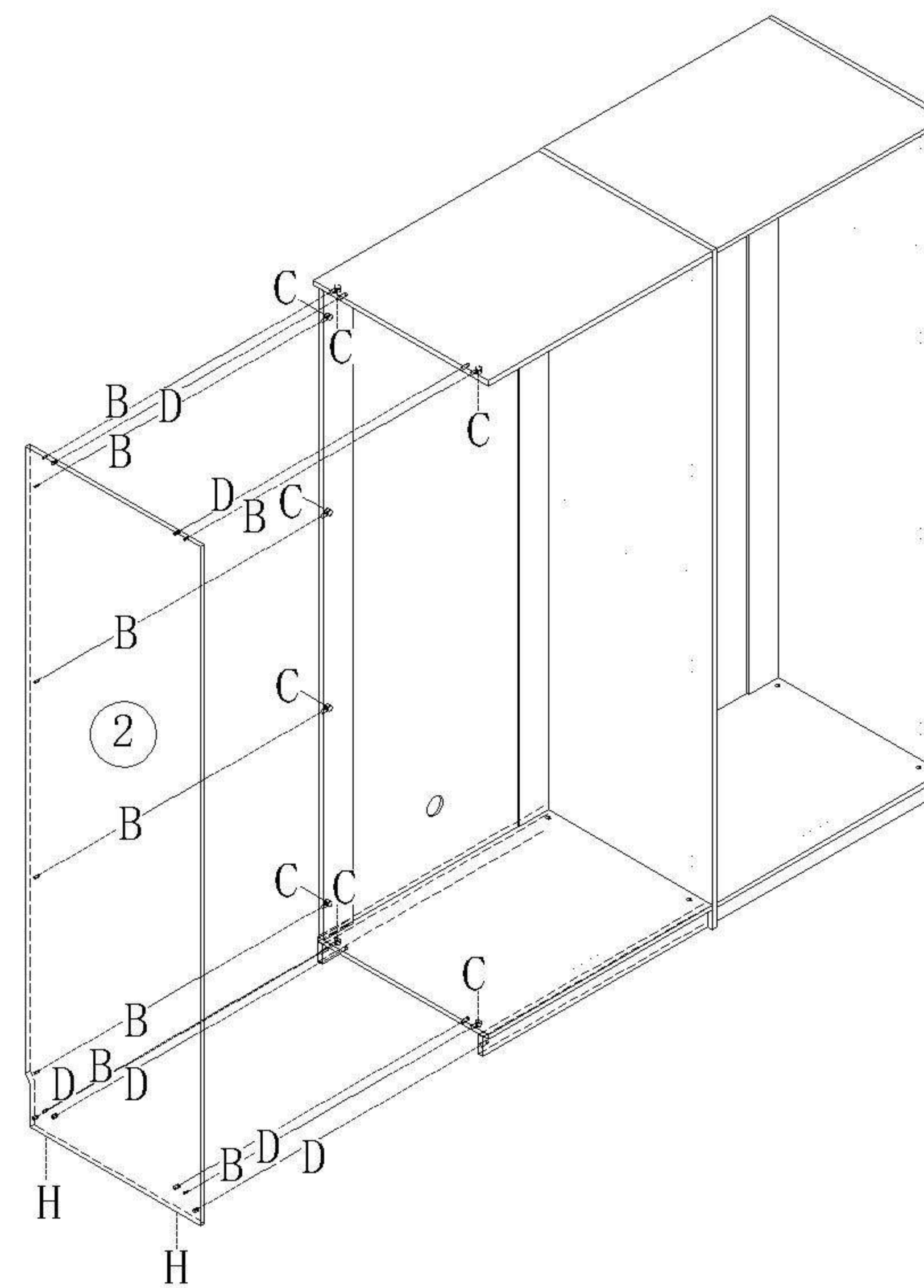
(C)\*8



(D)\*6

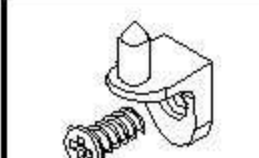


(H)\*2

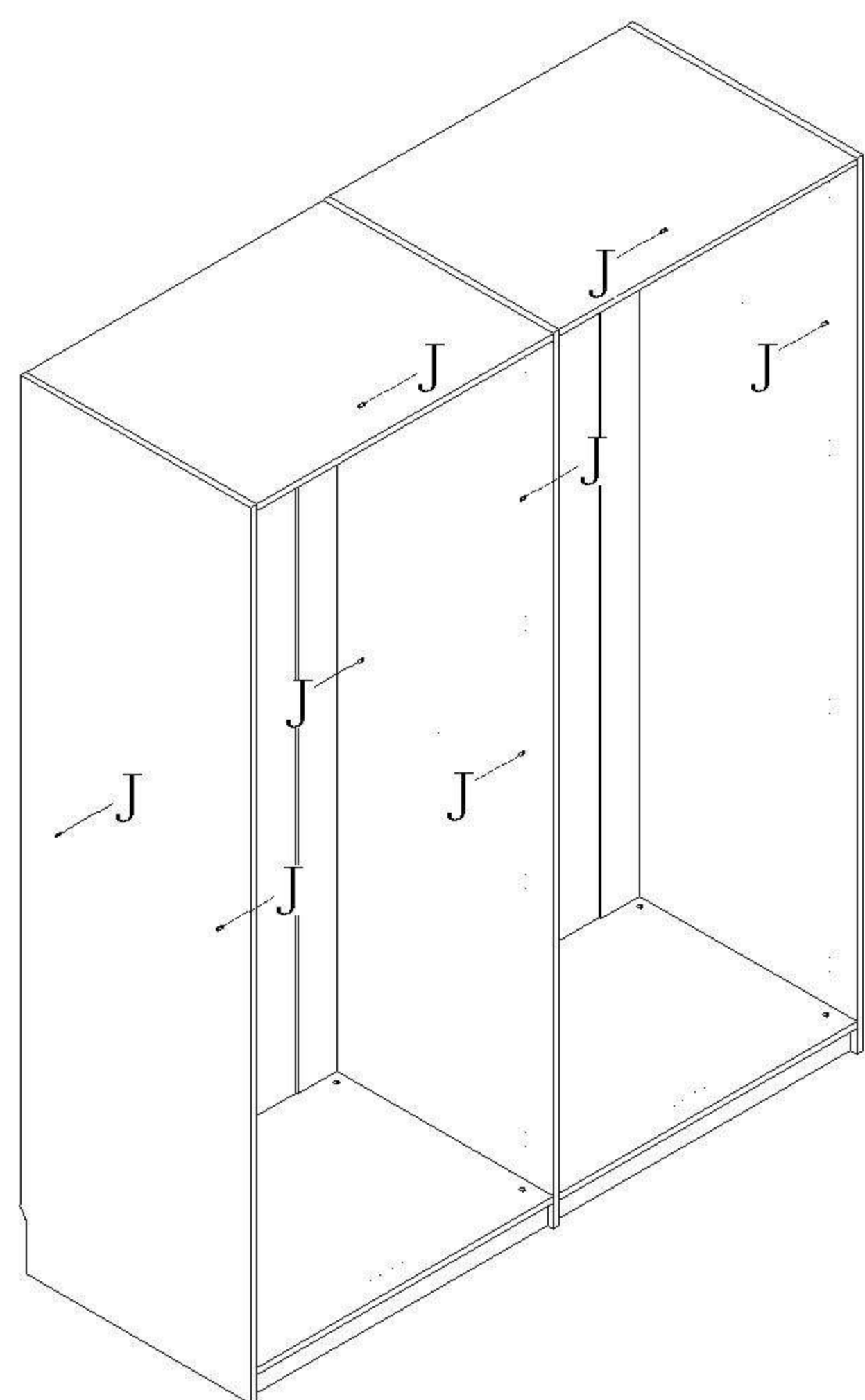


6

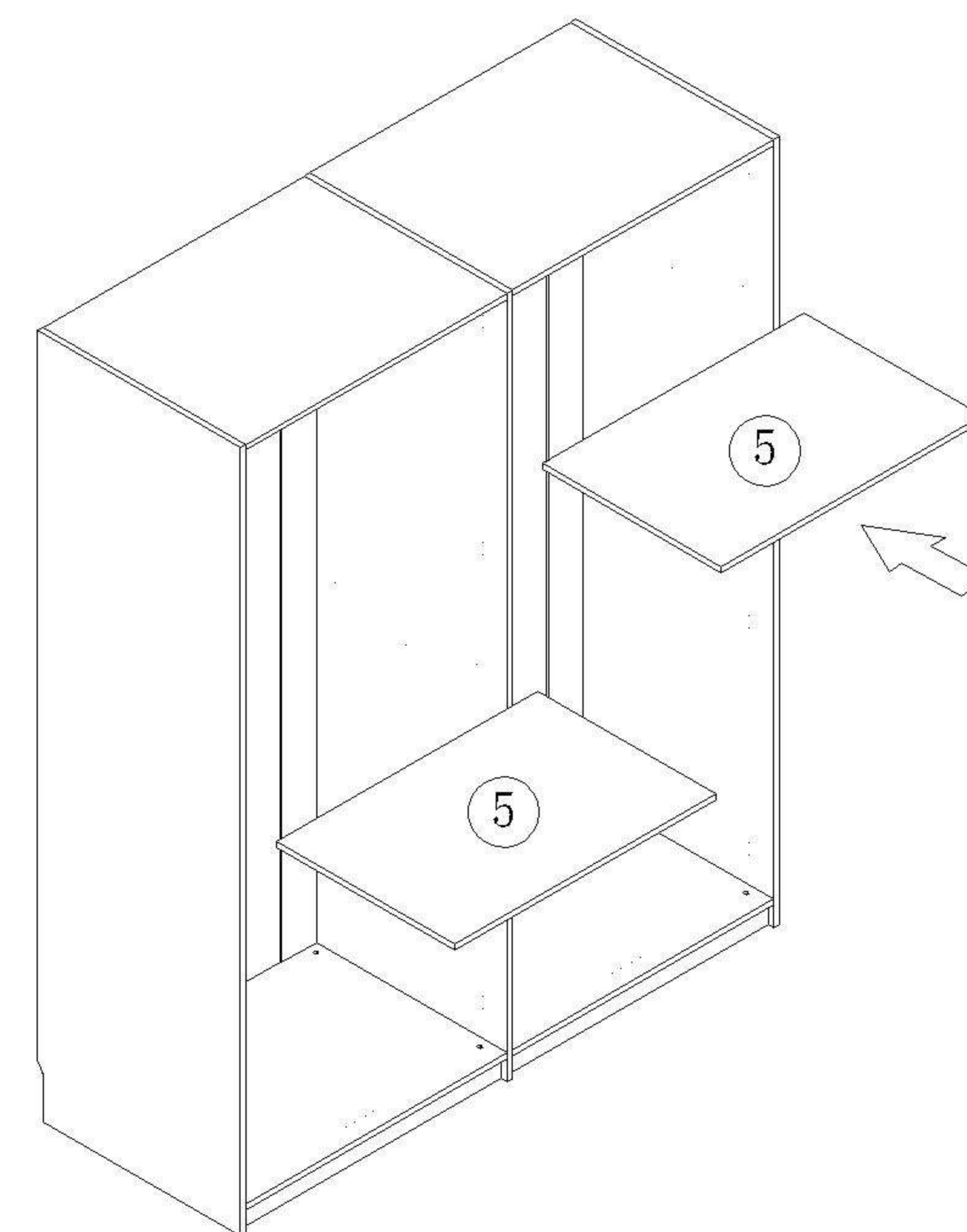
7



(J)\*8

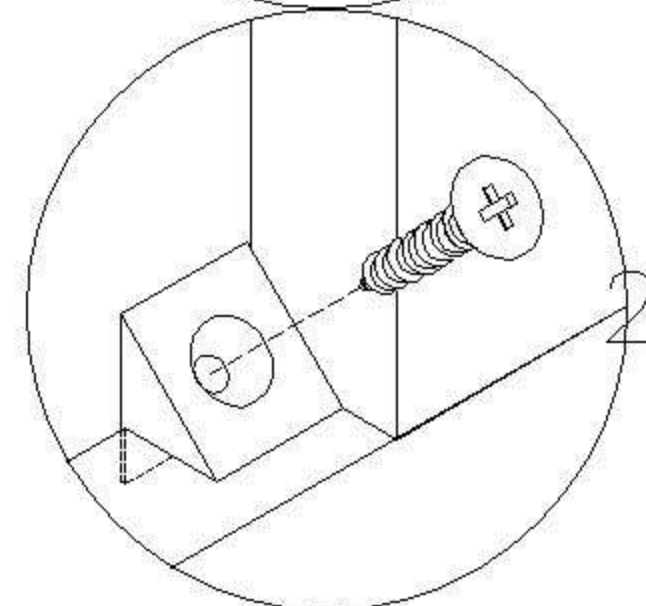
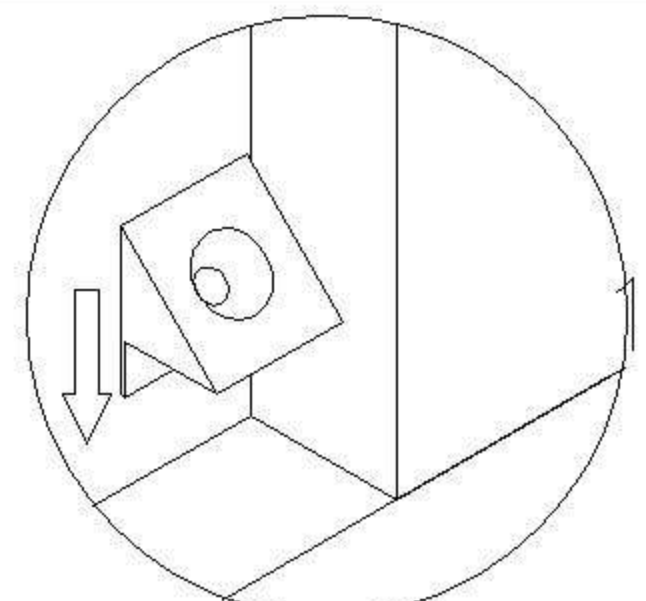


8

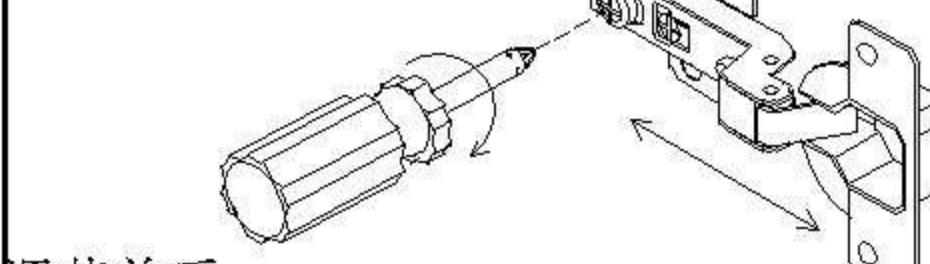
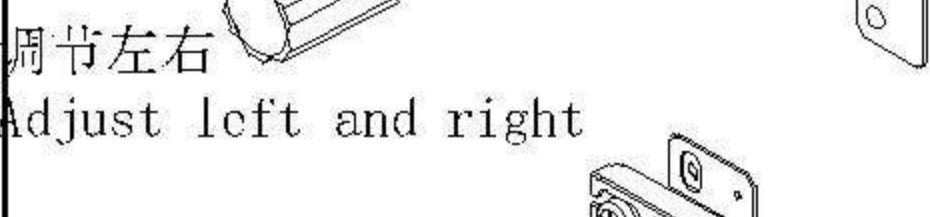
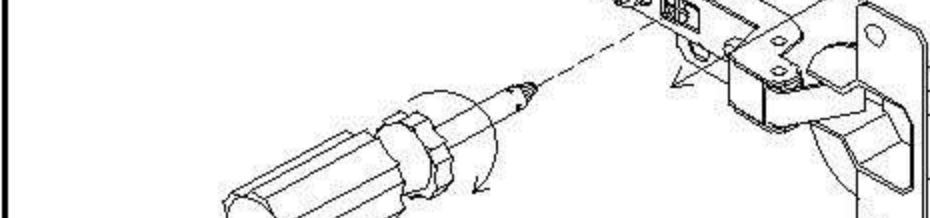
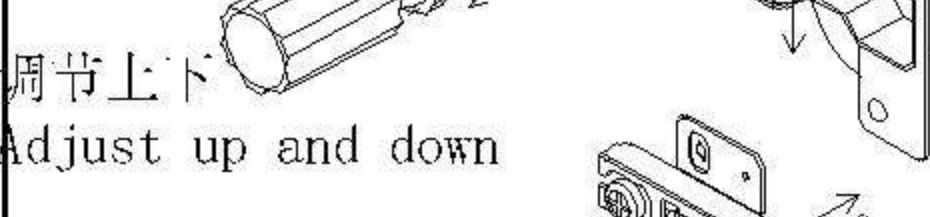
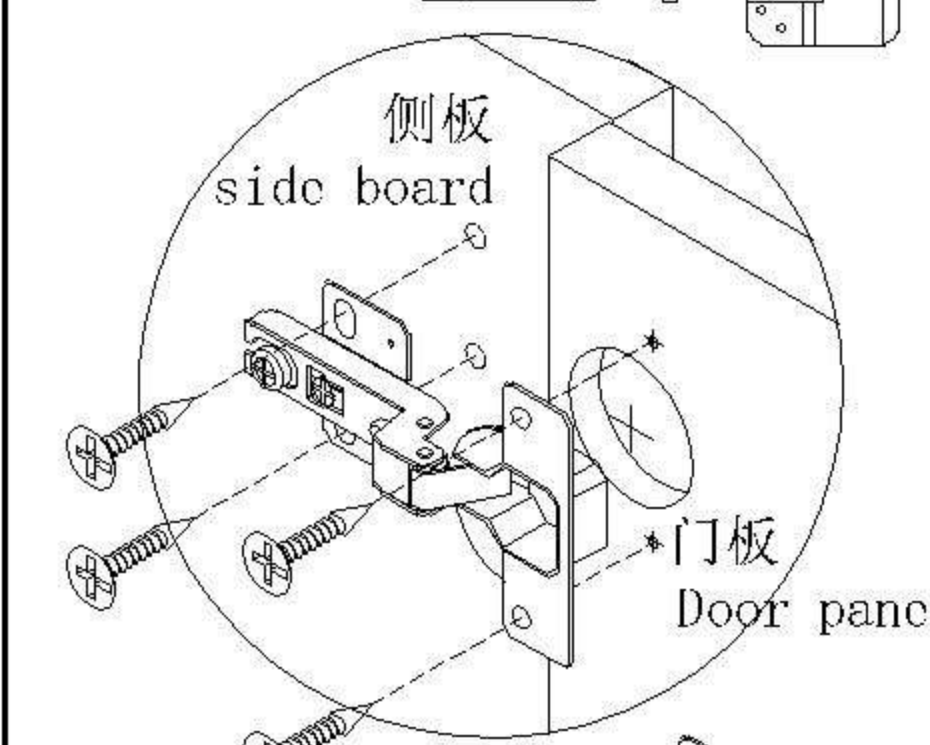
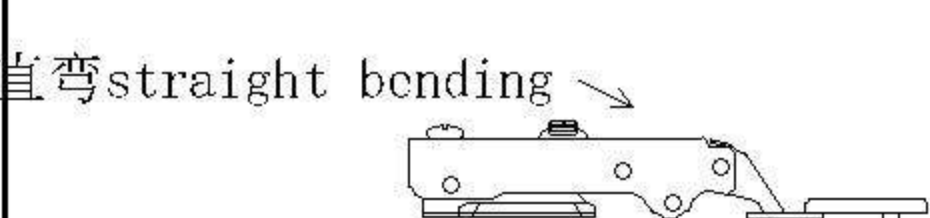
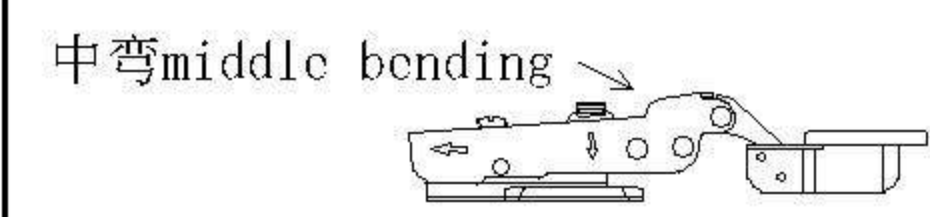
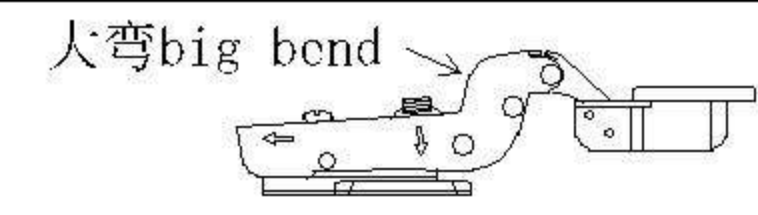


YZ1D-A 四门衣柜2.0m

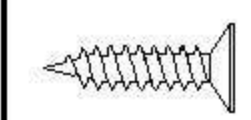
安装方法/  
Installation method



背板扣  
Back Plate Buckle-White



调节前后  
Before and after adjustment  
门铰  
Hinge



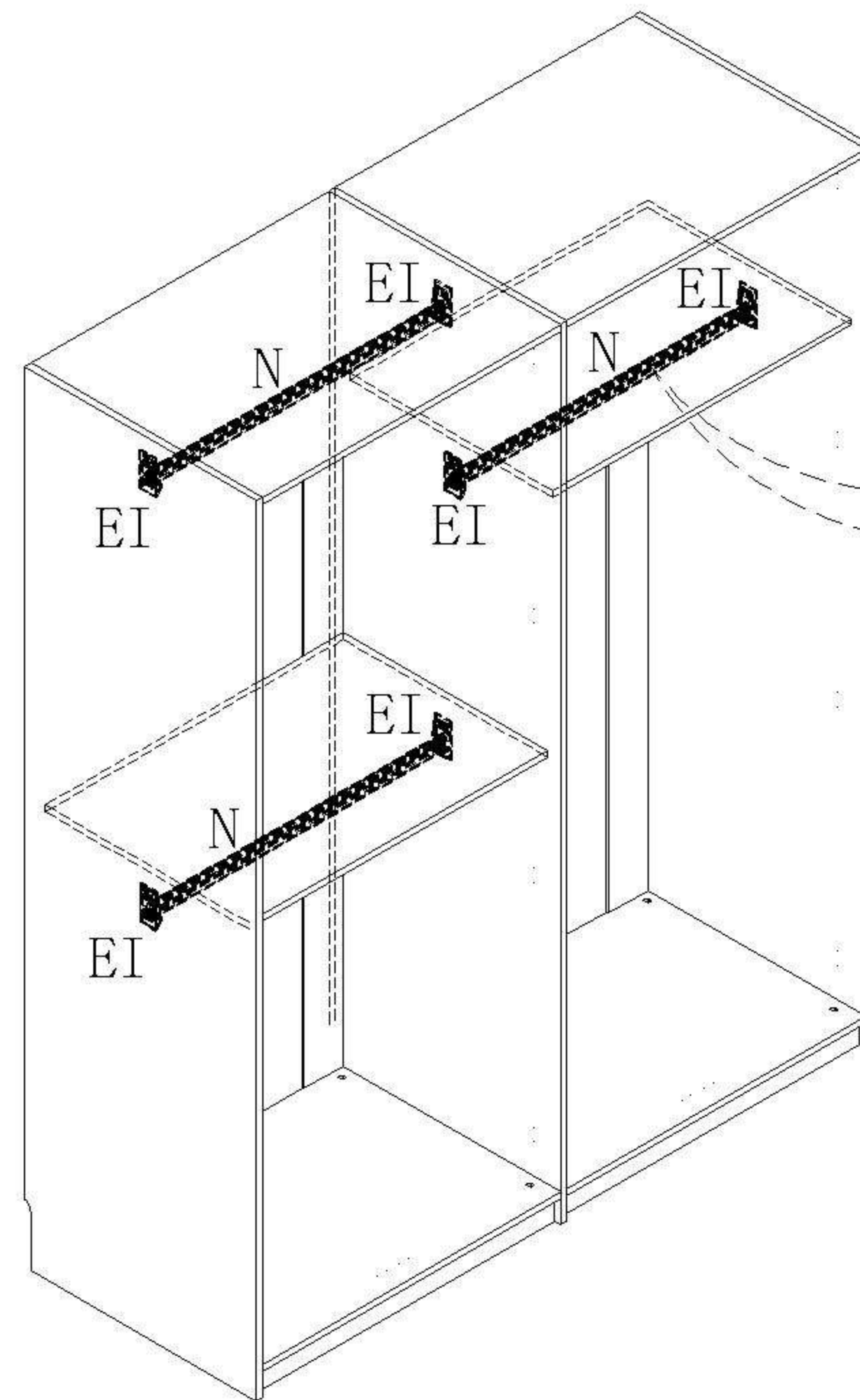
(E)\*12



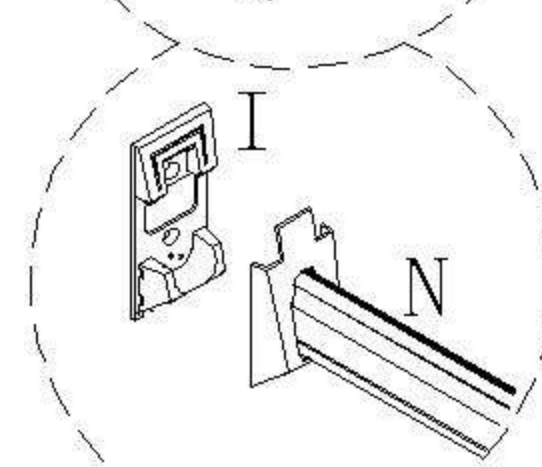
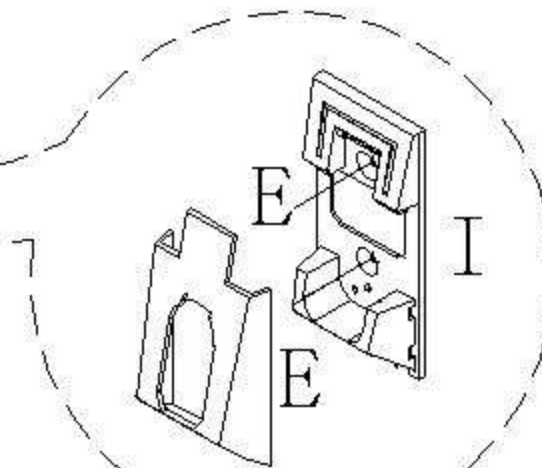
(I)\*6



(N)\*3

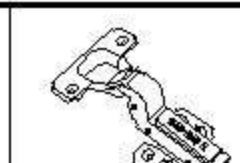


将五金I的盖子拆开再锁  
Remove the cover of  
hardware I and lock it



将五金 N 套进五金I的盖子  
再盖在五金I的底座上  
Put hardware N into the  
cover of hardware I and  
then cover the base of  
hardware I

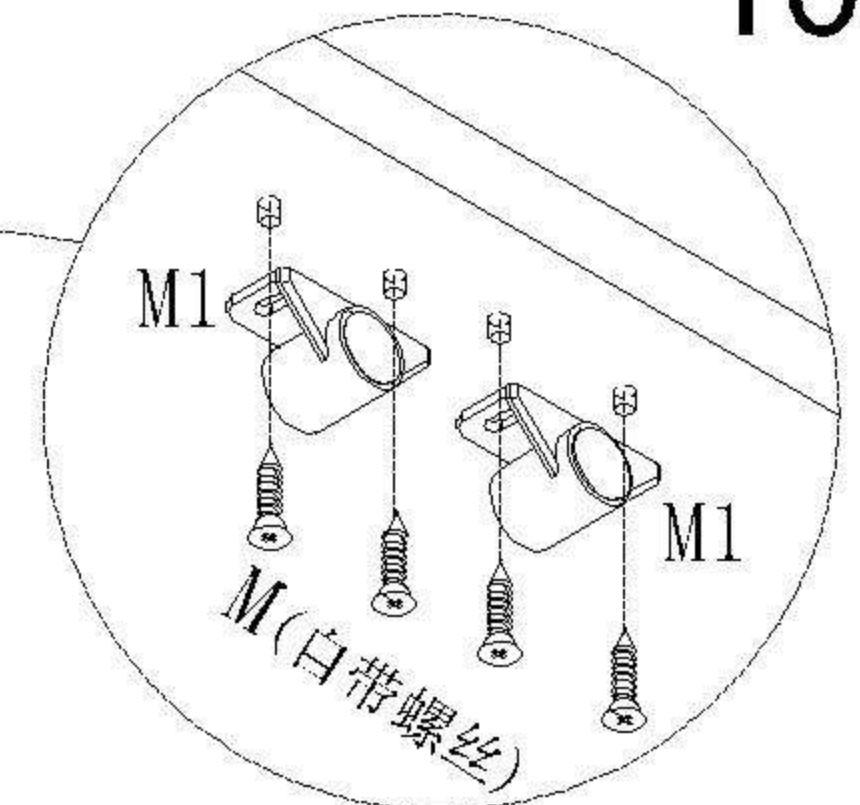
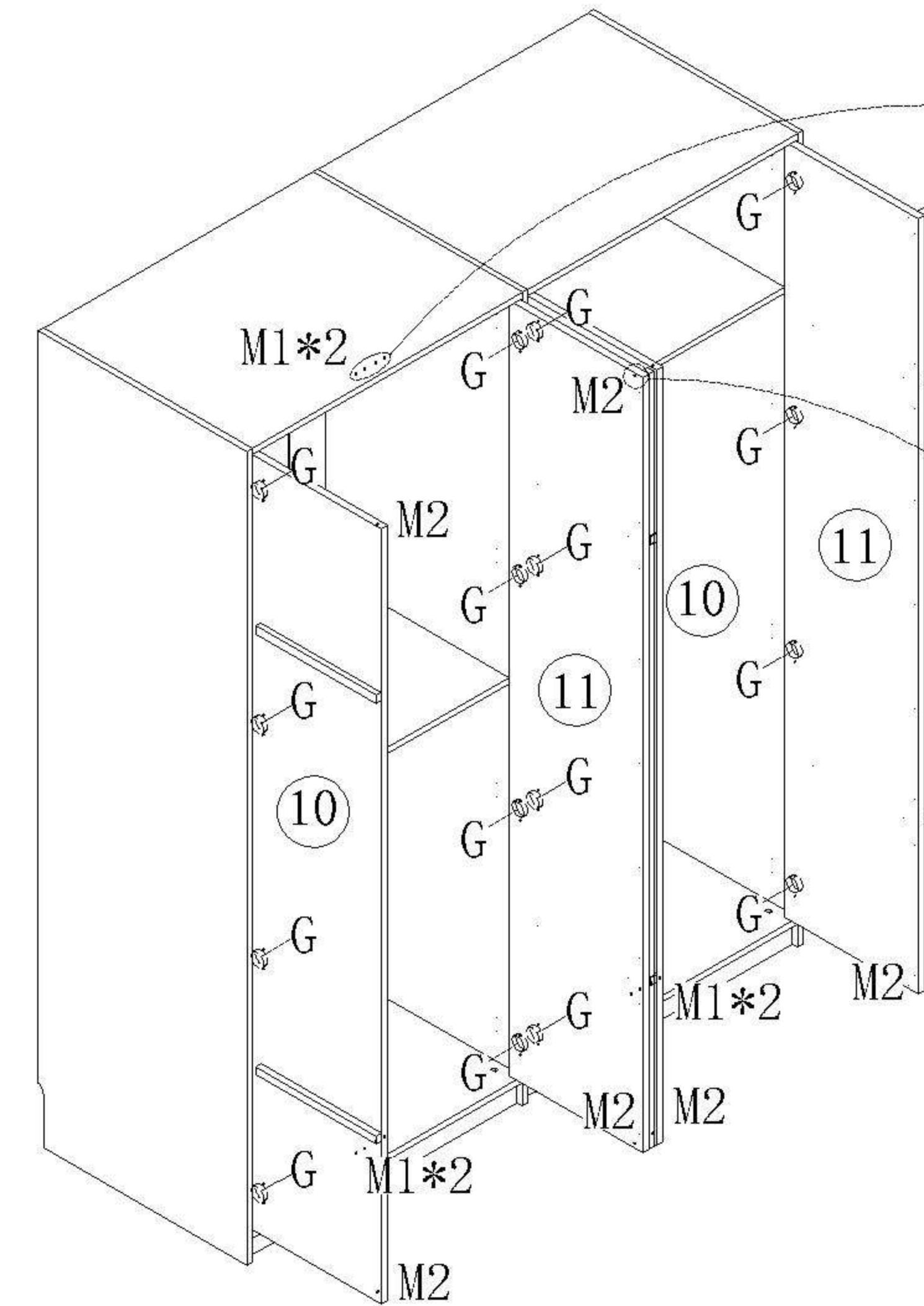
9



(G)\*16

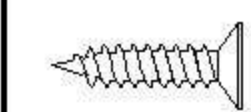


(M)\*6

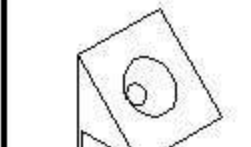


10

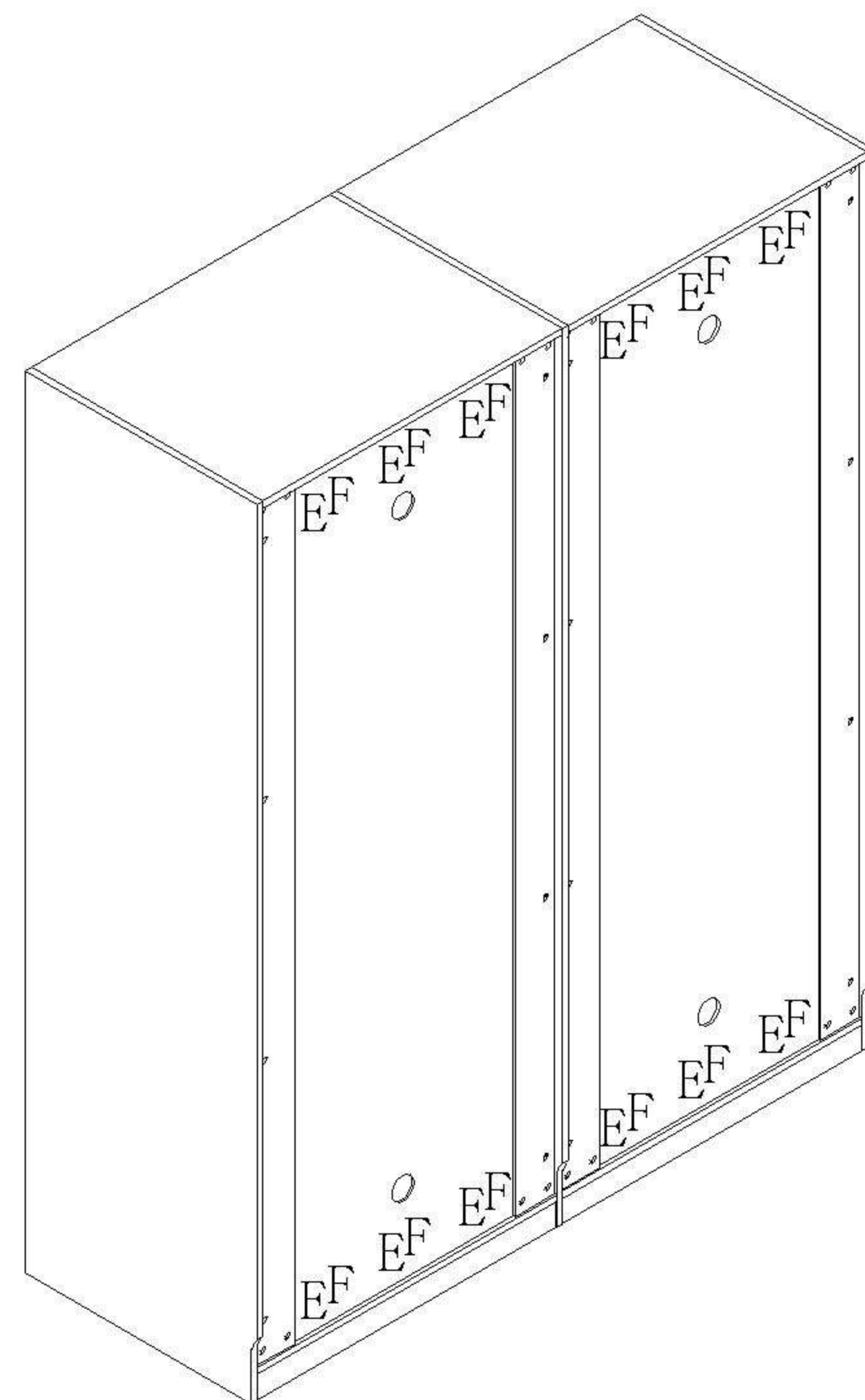
11



(E)\*12



(F)\*12



12

