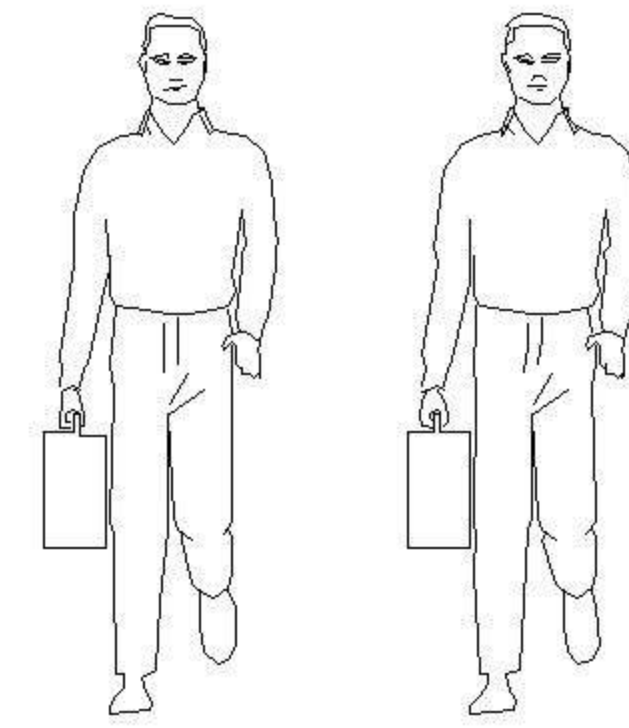
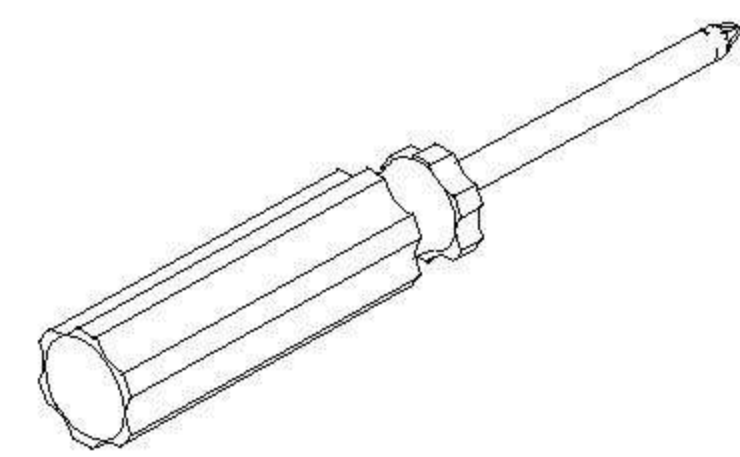


# LINSY 林氏家居

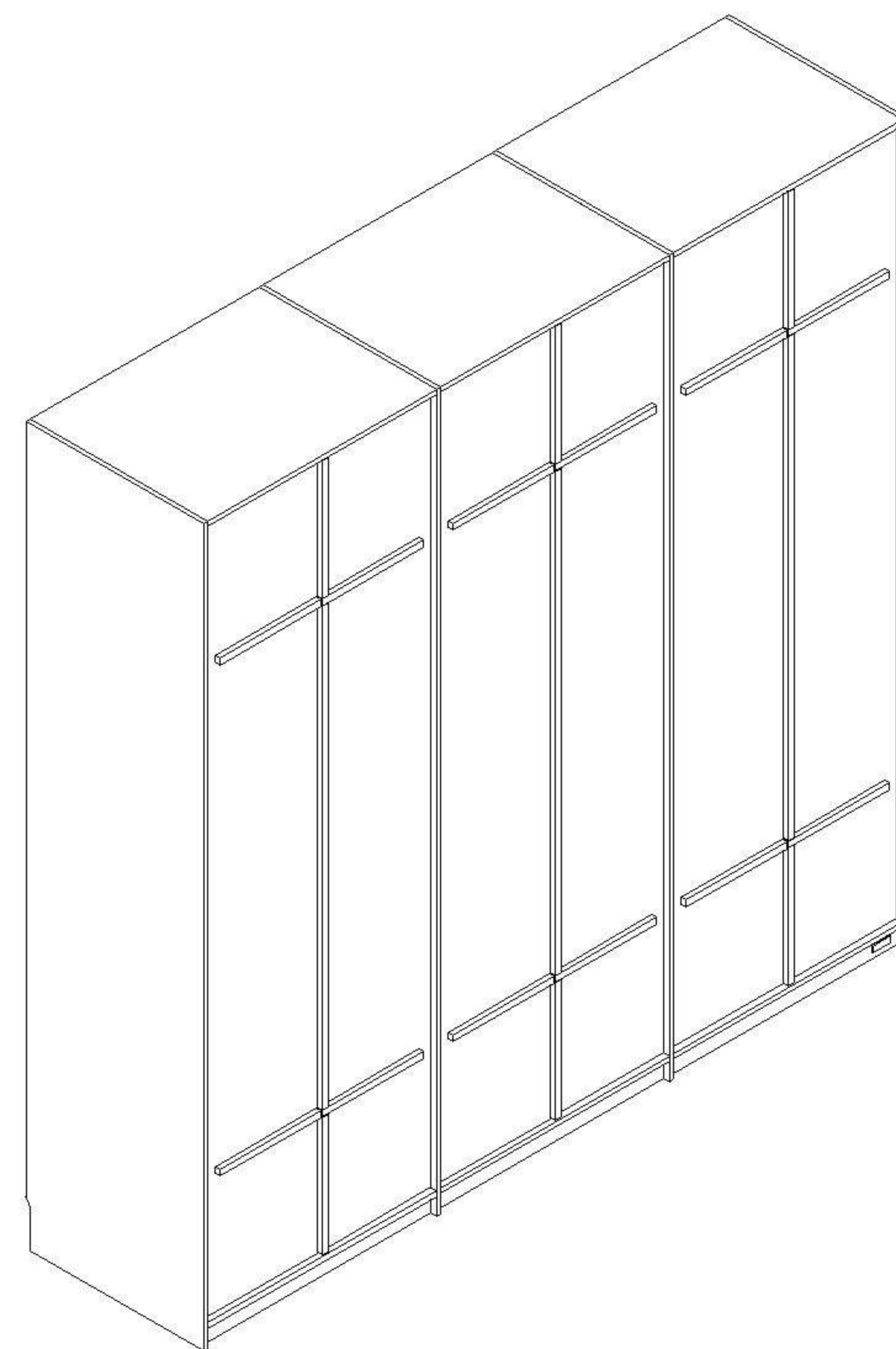
## 五金表/Hardware list

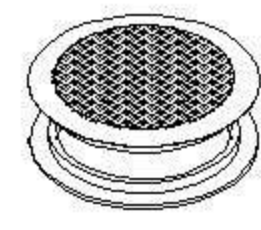
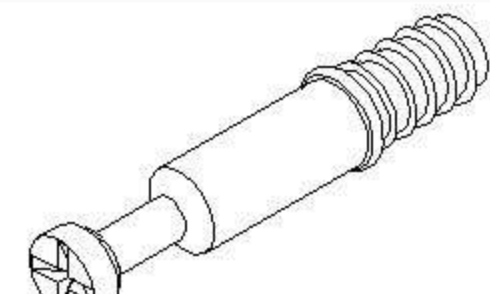
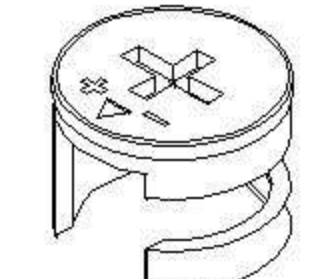
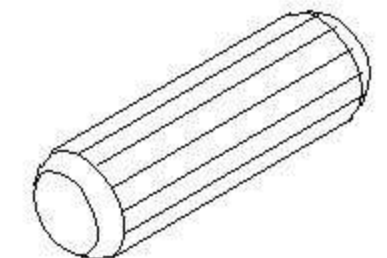
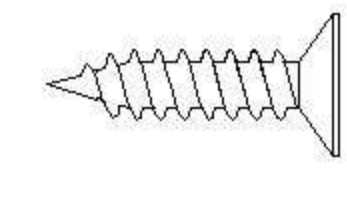
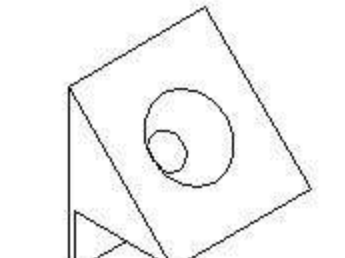
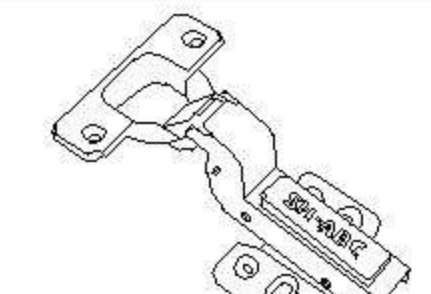
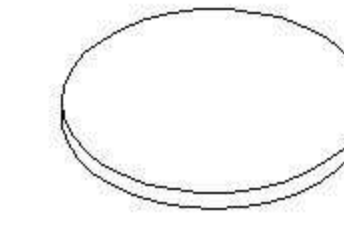
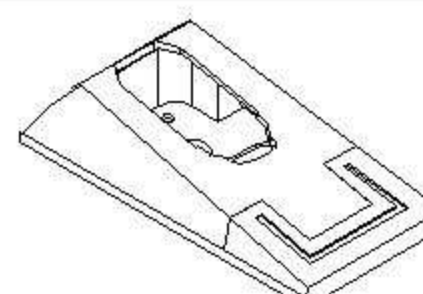
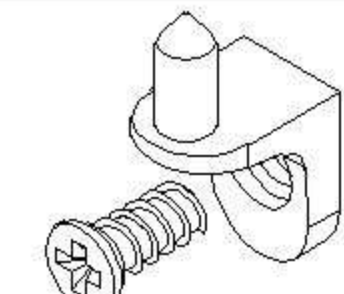
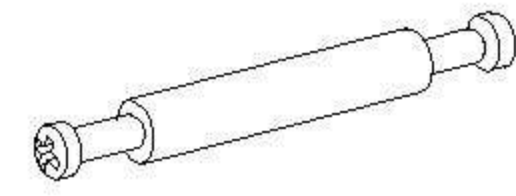
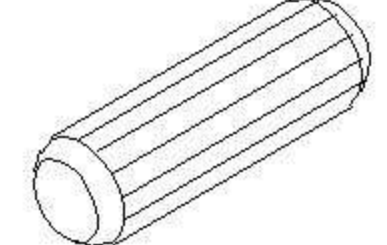
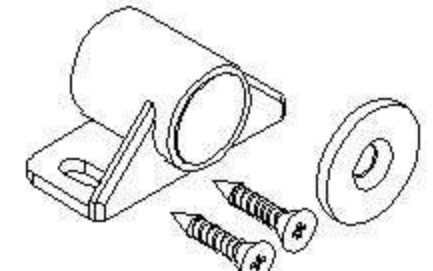
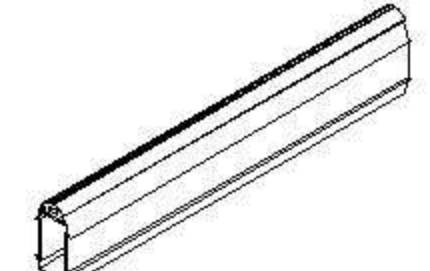
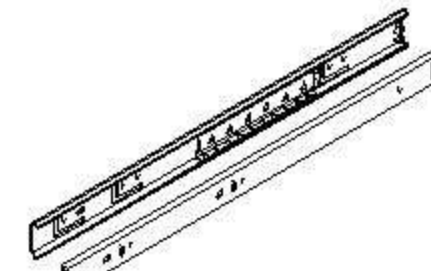
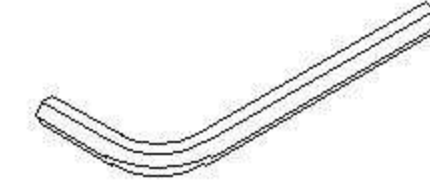
安装示意图/Assembly Instruction

产品名称 Model NO.	六门衣柜2.4m
产品型号 Product Model	YZ1D-A
尺寸规格 Specification	(2358*594*2403)mm
安装工具 Tool	安装人数 Installer



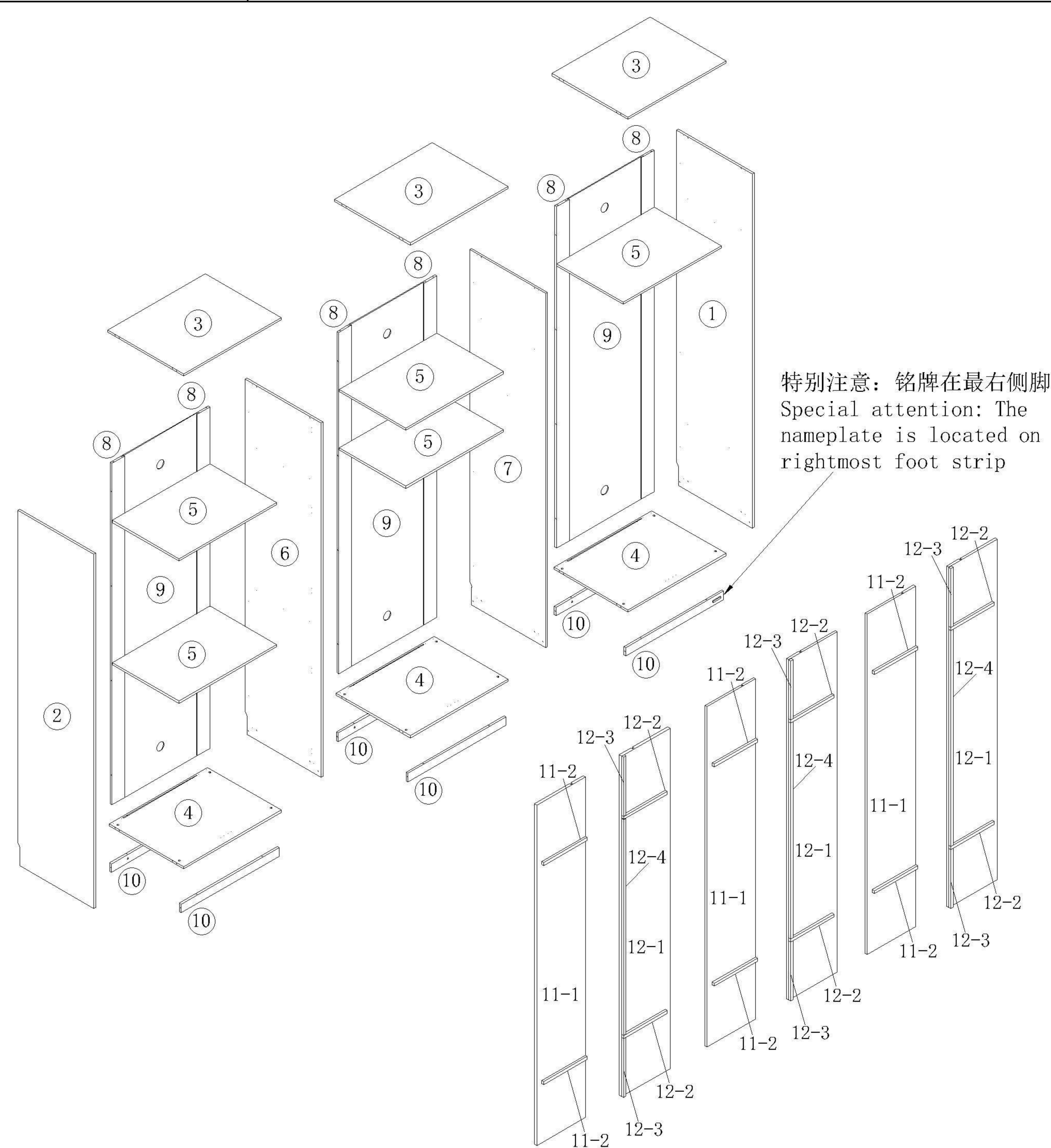
注：为保证设计效果，部分尺寸为定制尺寸，不影响使用。



 (A)* 6 透气孔盖 Vent cover white	 (B)*101 二合一螺杆 2 in 1 screw	 (C)*135 大三合一锁饼 Three in one large lock	 (D)* 15 木榫Ø8x30mm wood tenon	 (E)* 61 自攻螺丝M3.5x14mm Self tapping screw	 (F)* 19 背板扣 Back Plate Buckle White	 (G)* 30 缓冲门铰大弯-Ø35 Hinge-big bends	 (H)* 20 脚垫 Footrest
 (I)* 8 挂衣杆托 Clothes hanger	 (J)* 24 层板托 shelf support	 (K)*17 双头三合一螺杆 Double head 3-in-1 screw	 (L)* 13 木榫Ø8x50mm wood tenon	 (M)* 6 古铜色消音磁碰 magnetic catch	 (N)* 4 挂衣杆-L=758mm Clothes hanging rod	 (O)* 2 三节滚珠导轨-12" three-section ball rail	 (P)* 1 内六角扳手4mm spanner-(4mm) hex

警告：门板与柜体有设计所需的开启间隙，小心夹伤  
 Warning: The door panel and the cabinet have the opening gap required by the design, beware of clamping

YZ1D-A 六门衣柜2.4m	部件表/Parts List					部件表/Parts List				
安装方法/ Installation method	编号NO.	名称Name	规格 (mm) Specification	数量 QTY	材质Material	编号NO.	名称Name	规格 (mm) Specification	数量 QTY	材质Material
	⑳	抽屉后板Drawer back panel	612*110*15	2	刨花板 Particle board	①	右侧板Side board(R)	2400*594*15	1	刨花板 Particle board
	㉑	抽屉底托条Drawer bottom support strip	340*58*15	2	刨花板 Particle board	②	左侧板Side board(L)	2400*594*15	1	刨花板 Particle board
	㉒	抽屉底板Drawer bottom plate	592*350*5	2	纤维板 Fiberboard	③	顶板Top board	766*594*15	3	刨花板 Particle board
						④	底板Bottom board	766*579*15	3	刨花板 Particle board
						⑤	活动层板 Movable shelf	765*522*15	5	刨花板 Particle board
						⑥	左中侧板Middle side board(L)	2400*594*15	1	刨花板 Particle board
						⑦	右中侧板Middle side board(R)	2400*594*15	1	刨花板 Particle board
						⑧	边背拉条Side back brace	2312*101*15	6	刨花板 Particle board
						⑨	背板Back board	2322*575*5	3	纤维板 Fiberboard
						⑩	前脚条Front foot strip	766*58*15	6	刨花板 Particle board
						⑪	左门板组立Door board assembly(L)	2306*380*33	3	刨花板+白蜡木 Particle board+Ash
						11-1	左门板Door board (L)	2306*380*18	3	刨花板 Particle board
						11-2	门板装饰条1 Door panel decorative strip 1	340*15*20	6	白蜡木 Ash
						⑫	右门板组立Door board assembly(R)	2306*380*33	3	刨花板+白蜡木 Particle board+Ash
						12-1	右门板Door board (R)	2306*380*18	3	刨花板 Particle board
						12-2	门板装饰条1 Door panel decorative strip 1	340*15*20	6	白蜡木 Ash
						12-3	门板装饰条2 Door panel decorative strip 2	400*15*20	6	白蜡木 Ash
						12-4	门板装饰条3 Door panel decorative strip 3	1463*15*20	3	白蜡木 Ash
						⑬	附柜上层板Upper panel of attached cabinet	765*426*15	1	刨花板 Particle board
						⑭	附柜左侧板Left side panel of the attached cabinet	410*386*15	1	刨花板 Particle board
						⑮	附柜右侧板Right side panel of the attached cabinet	410*386*15	1	刨花板 Particle board
						⑯	侧柱Jamb	386*63*15	2	刨花板 Particle board
					⑰	拉条Brace	638*58*15	3	刨花板 Particle board	
					⑱	抽屉面板Drawer panel	634*158*15	2	刨花板 Particle board	
					㉑	抽屉侧板Drawer side panel	340*110*15	4	刨花板 Particle board	

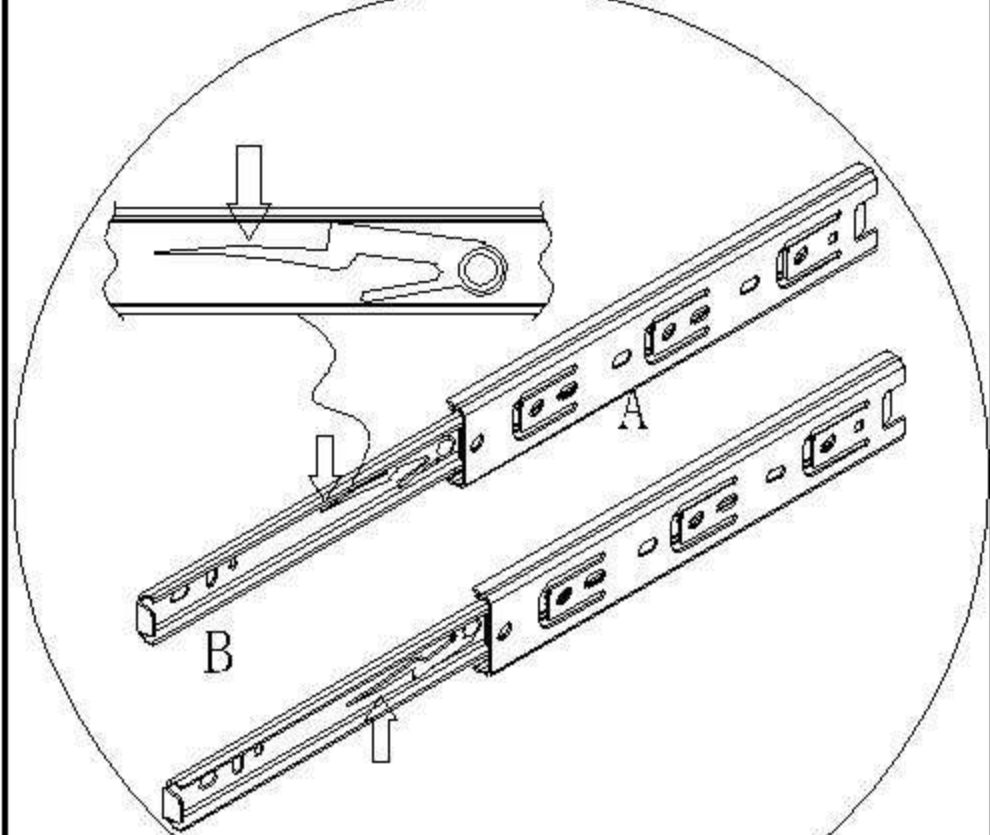


编号NO.	名称Name	编号NO.	名称Name
②①	抽屉后板Drawer back panel	①	右侧板Side board (R)
②①	抽屉底托条Drawer bottom support strip	②	左侧板Side board (L)
②②	抽屉底板Drawer bottom plate	③	顶板Top board
		④	底板Bottom board
		⑤	活动层板 Movable shelf
		⑥	左中侧板Middle side board (L)
		⑦	右中侧板Middle side board (R)
		⑧	边背拉条Side back brace
		⑨	背板Back board
		⑩	前脚条Front foot strip
		⑪	左门板组立Door board assembly (L)
11-1	左门板Door board (L)		
11-2	门板装饰条1 Door panel decorative strip 1		
⑫	右门板组立Door board assembly (R)		
12-1	右门板Door board (R)		
12-2	门板装饰条1 Door panel decorative strip 1		
12-3	门板装饰条2 Door panel decorative strip 2		
12-4	门板装饰条3 Door panel decorative strip 3		
⑬	附柜上层板Upper panel of attached cabinet		
⑭	附柜左侧板Left side panel of the attached cabinet		
⑮	附柜右侧板Right side panel of the attached cabinet		
⑯	侧柱Jamb		
⑰	拉条Brace		
⑱	抽屉面板Drawer panel		
⑲	抽屉侧板Drawer side panel		

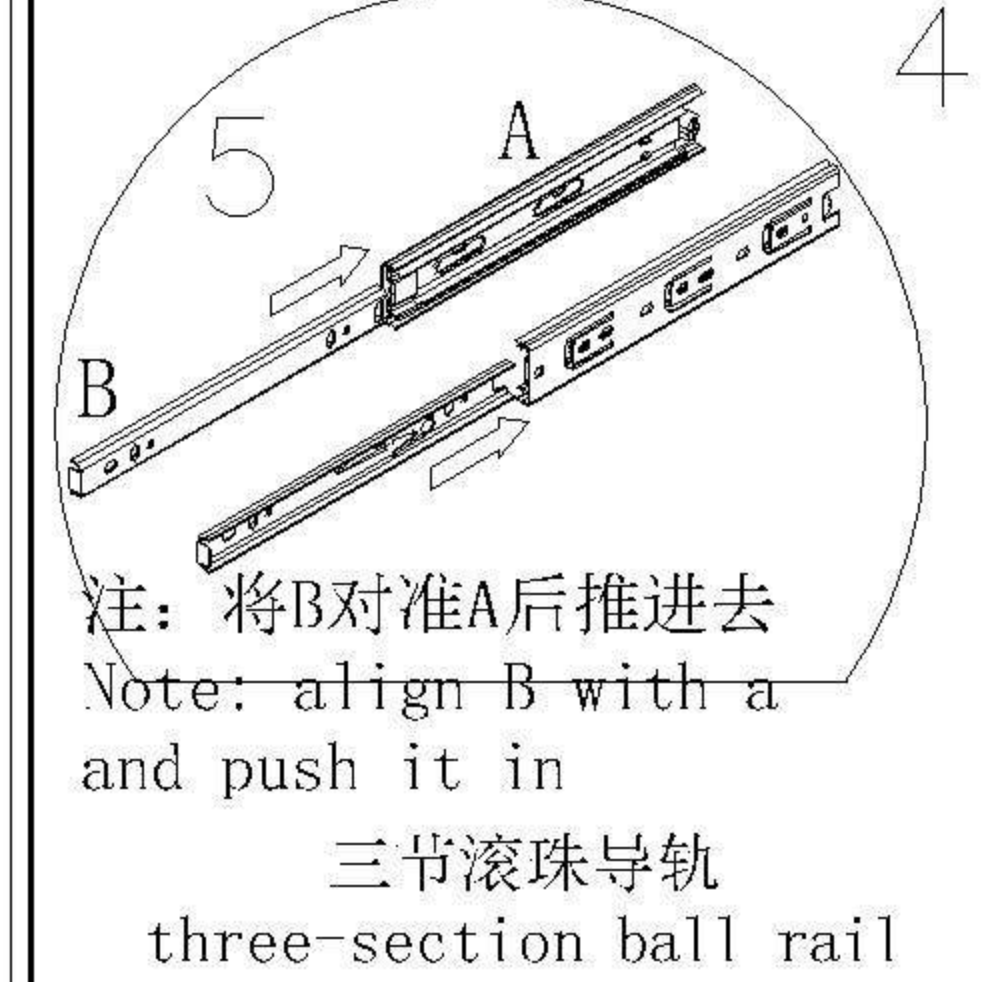
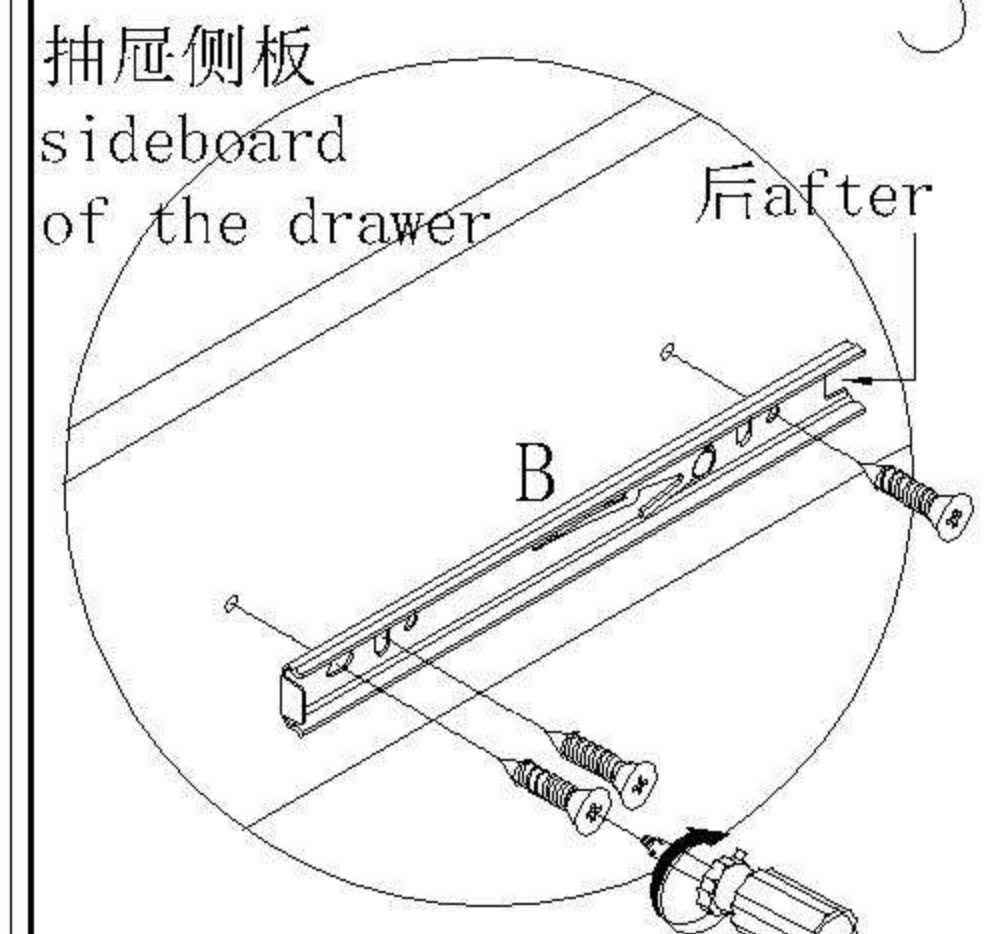
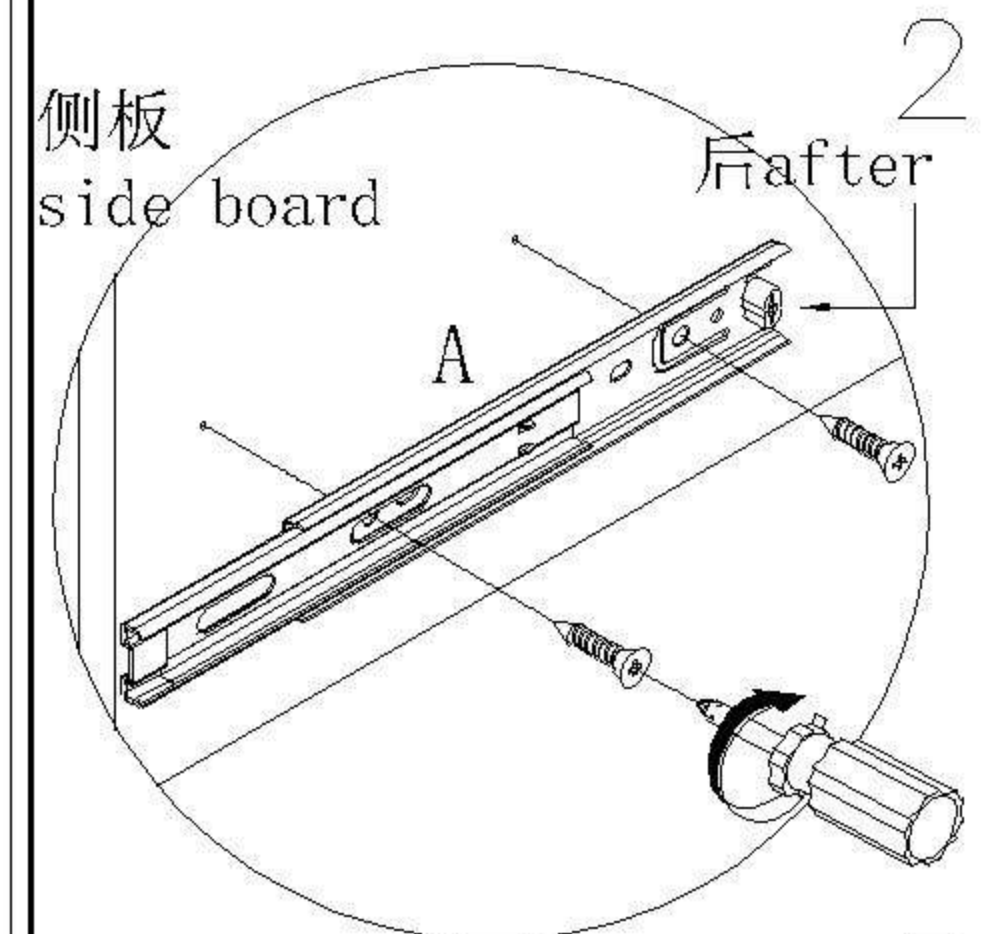
YZ1D-A 六门衣柜2.4m

安装方法/  
Installation method

阀门开关(下压为开)  
Valve switch  
(press down to open)

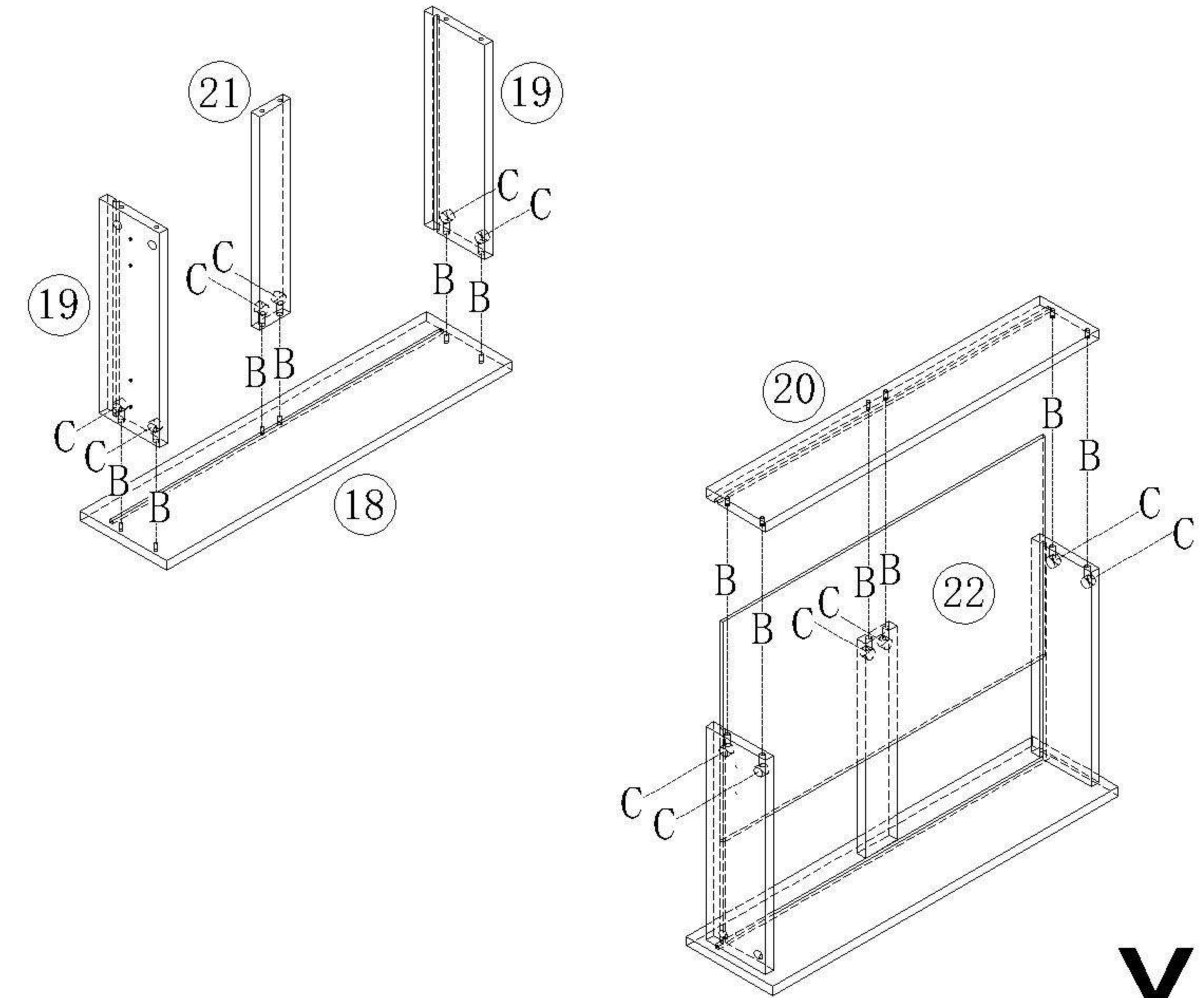


注: 先将A与B拆下来  
Note: remove a and B first



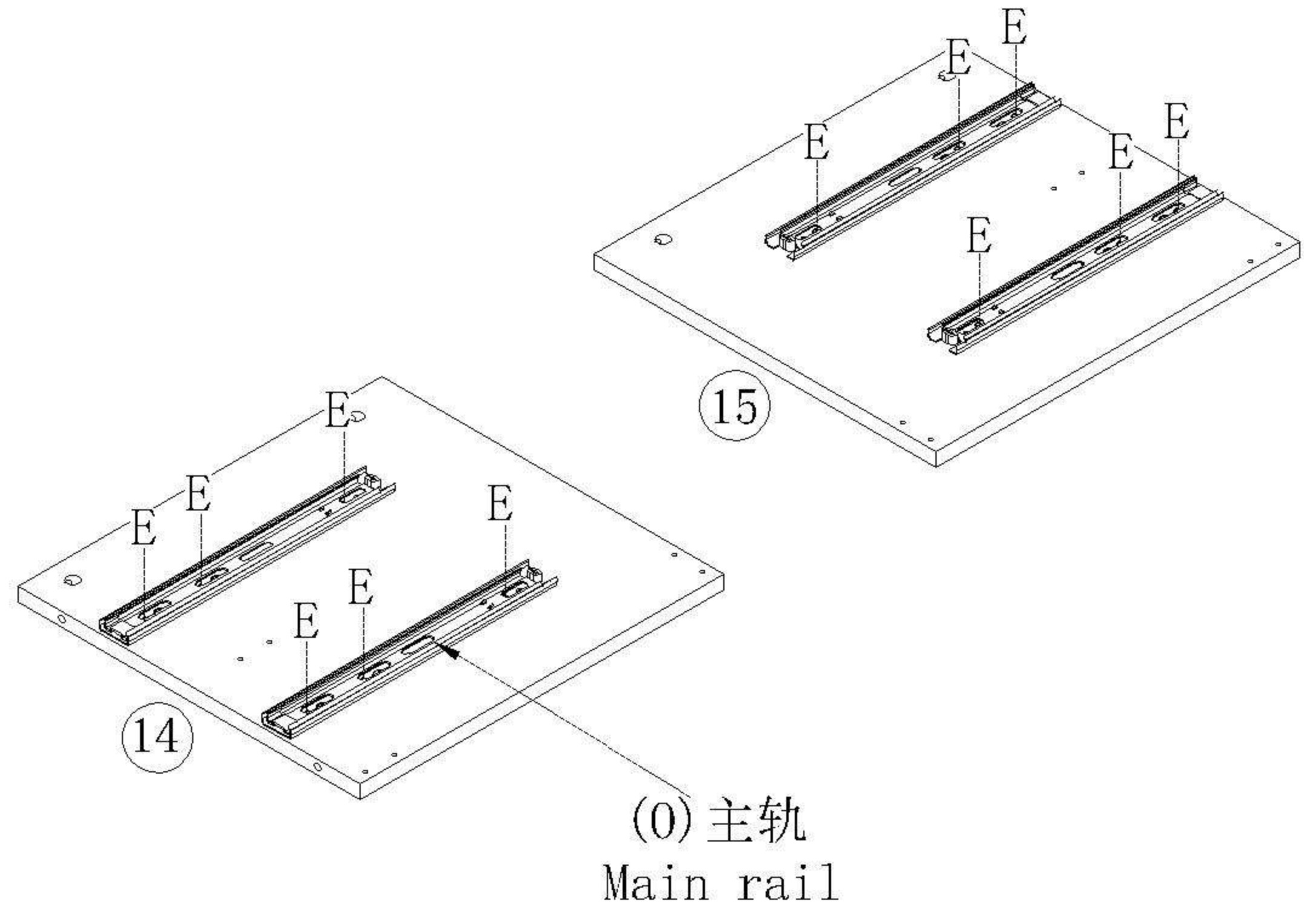
注: 将B对准A后推进去  
Note: align B with a and push it in  
三节滚珠导轨  
three-section ball rail

- (B)\*24
- (C)\*24



X2

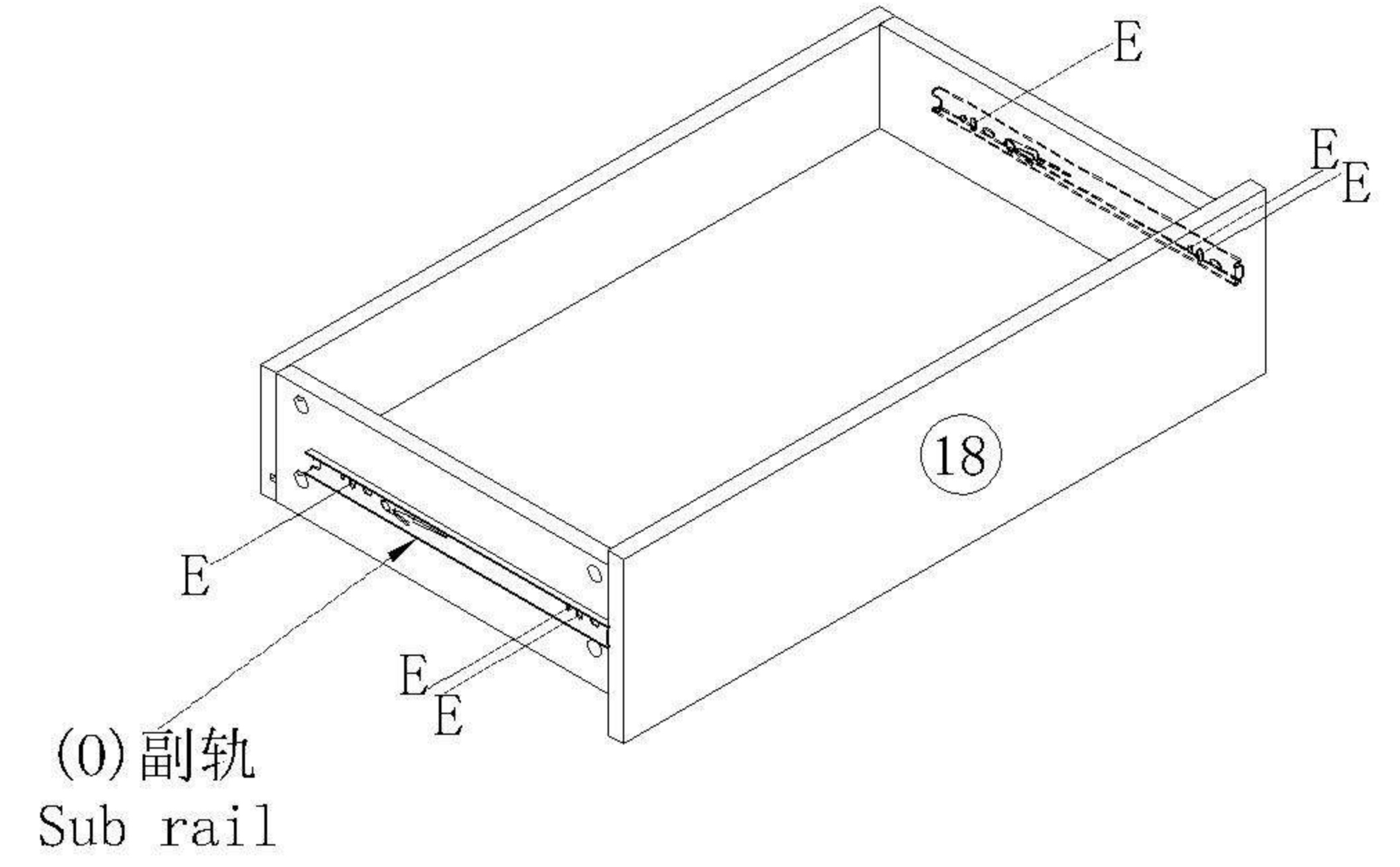
- (E)\*12
- (O)\*2



(O) 主轨  
Main rail

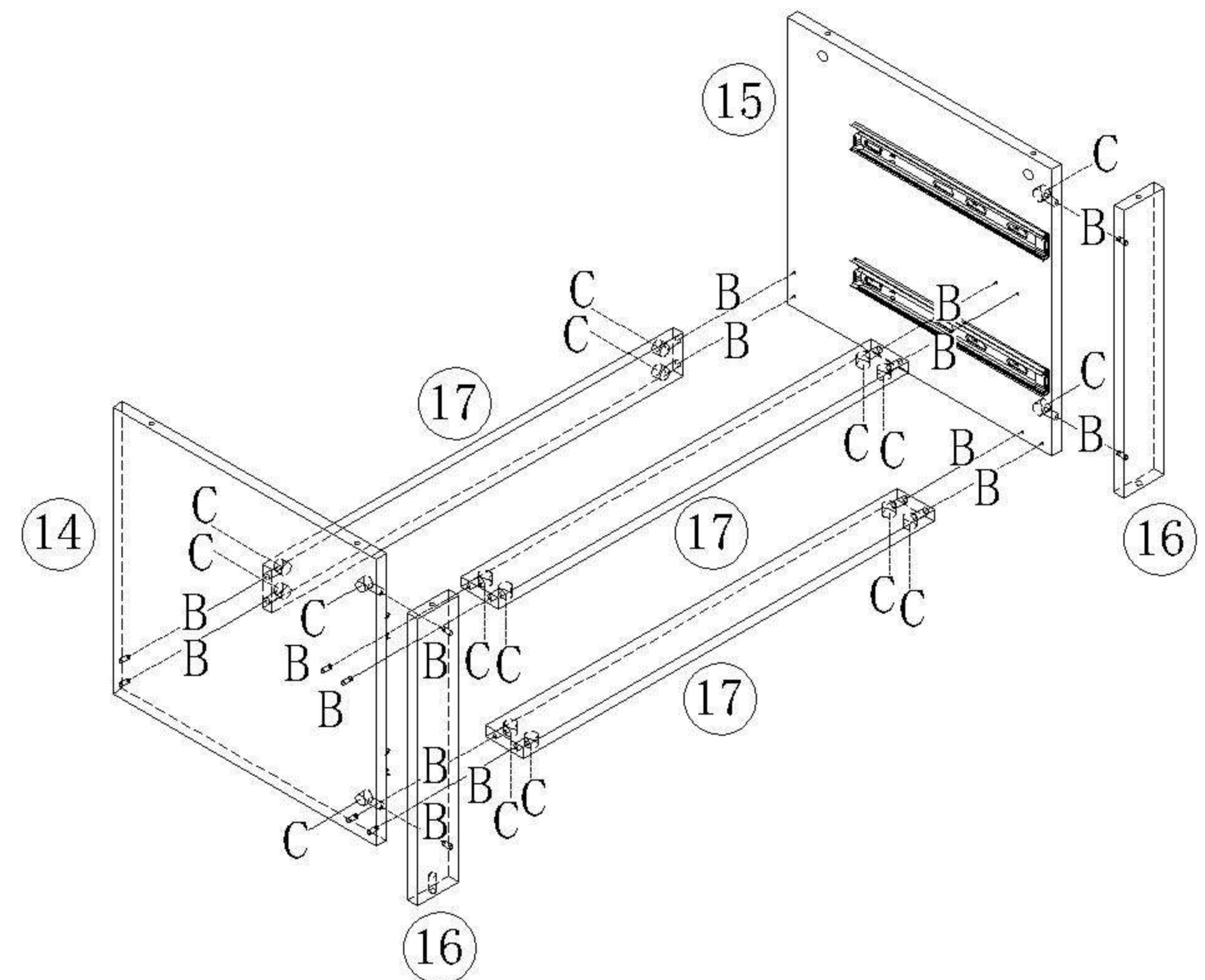
X2

- 1 (E)\*12
- (O)\*2



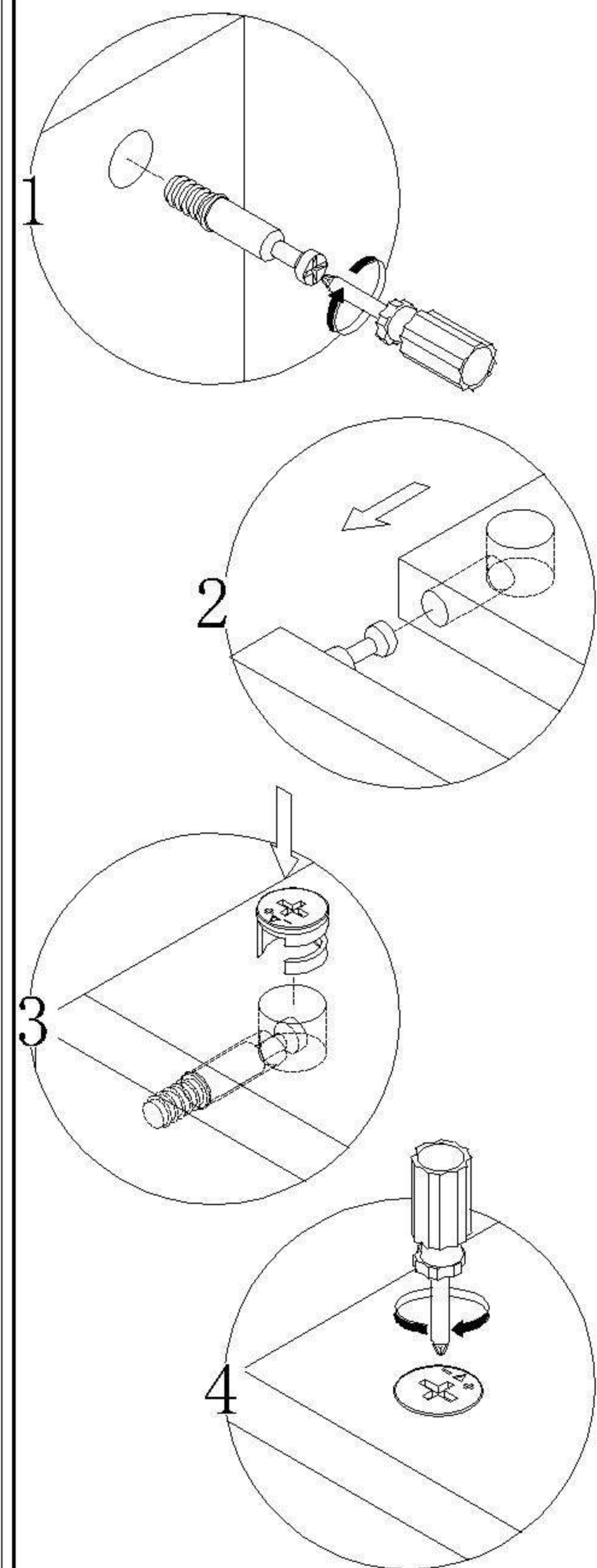
X2

- 3 (B)\*16
- (C)\*16



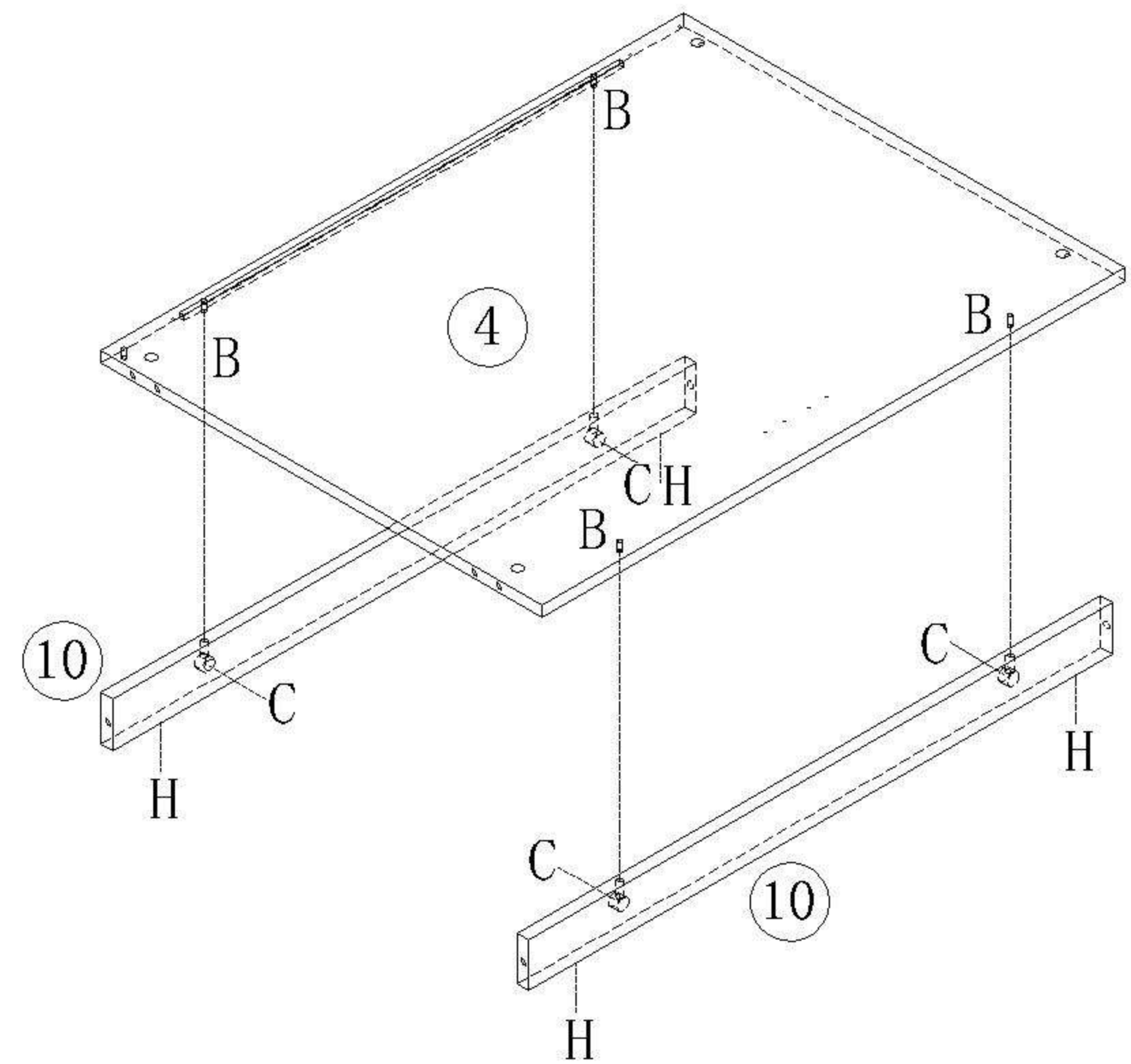
YZ1D-A 六门衣柜2.4m

安装方法/  
Installation method



大二合一  
two-in-one

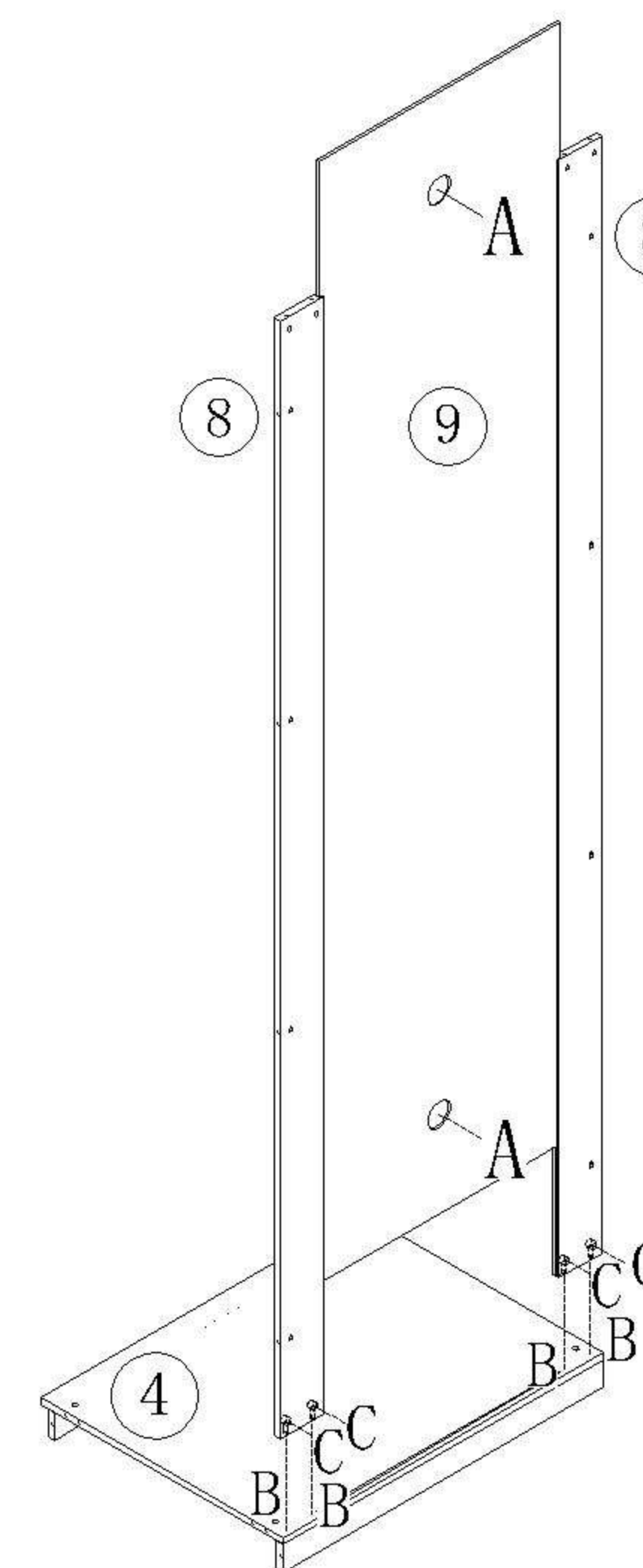
- (B)\*12
- (C)\*12
- (H)\*12



X3

5

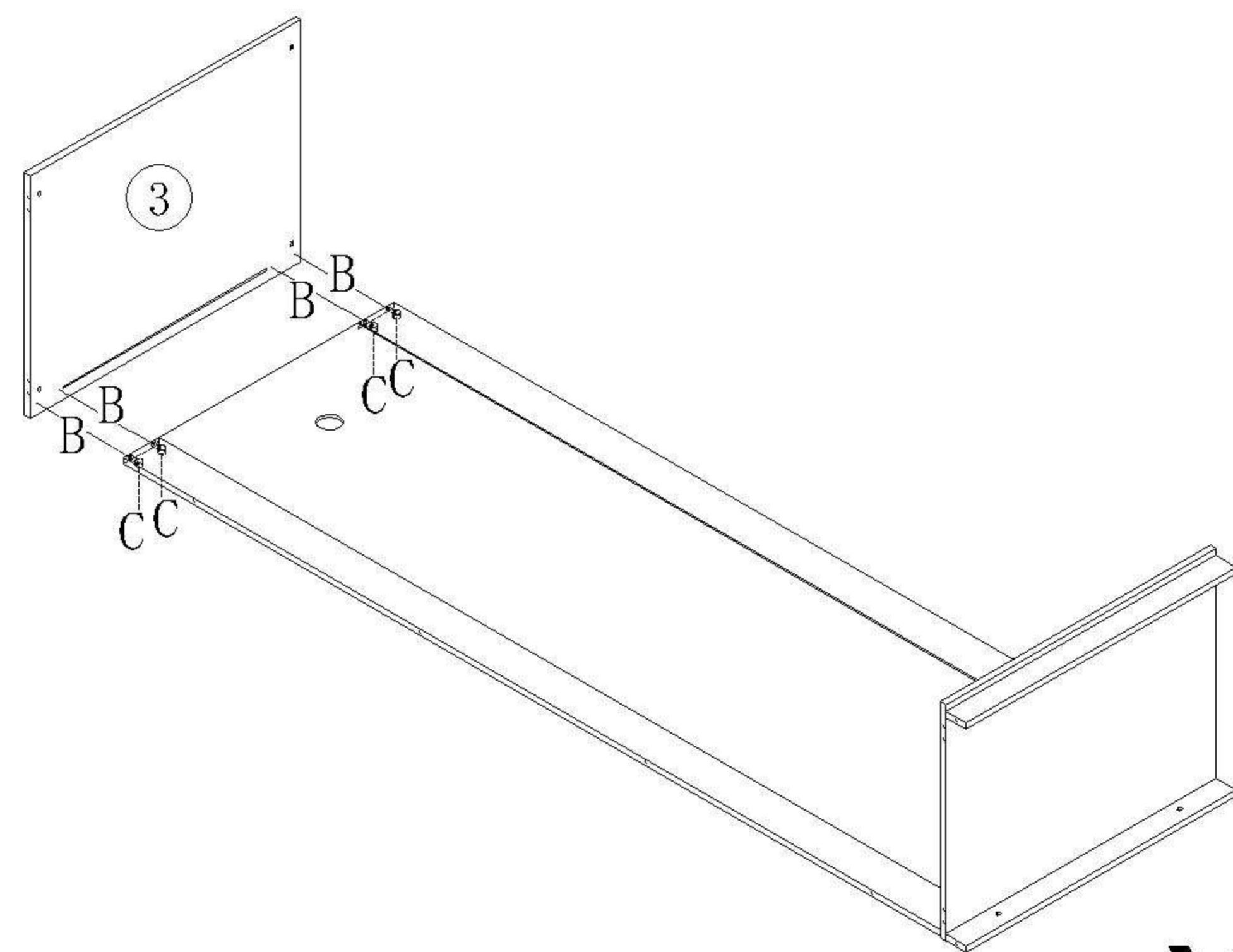
- (A)\*6
- (B)\*12
- (C)\*12



X3

6

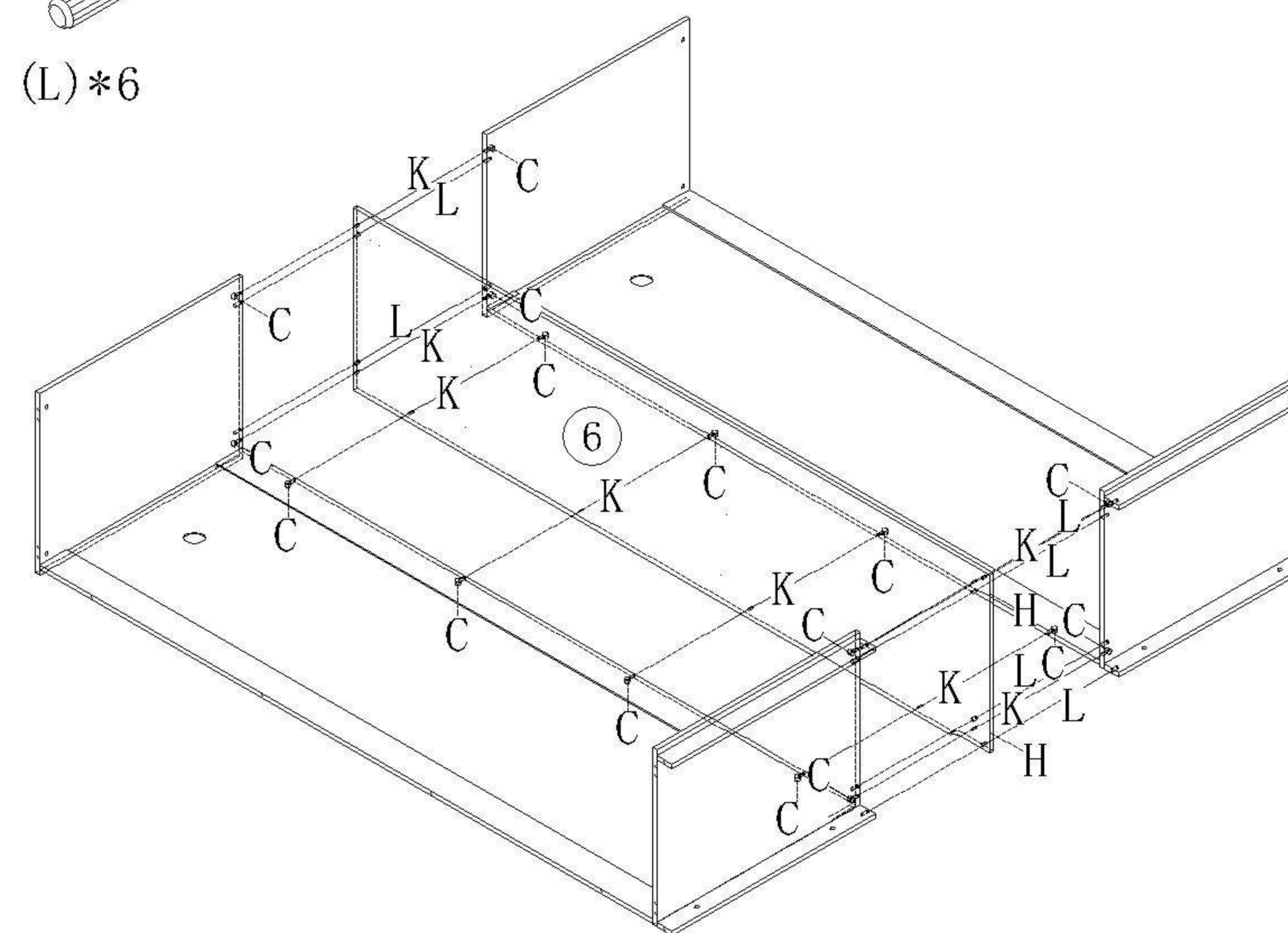
- (B)\*12
- (C)\*12



X3

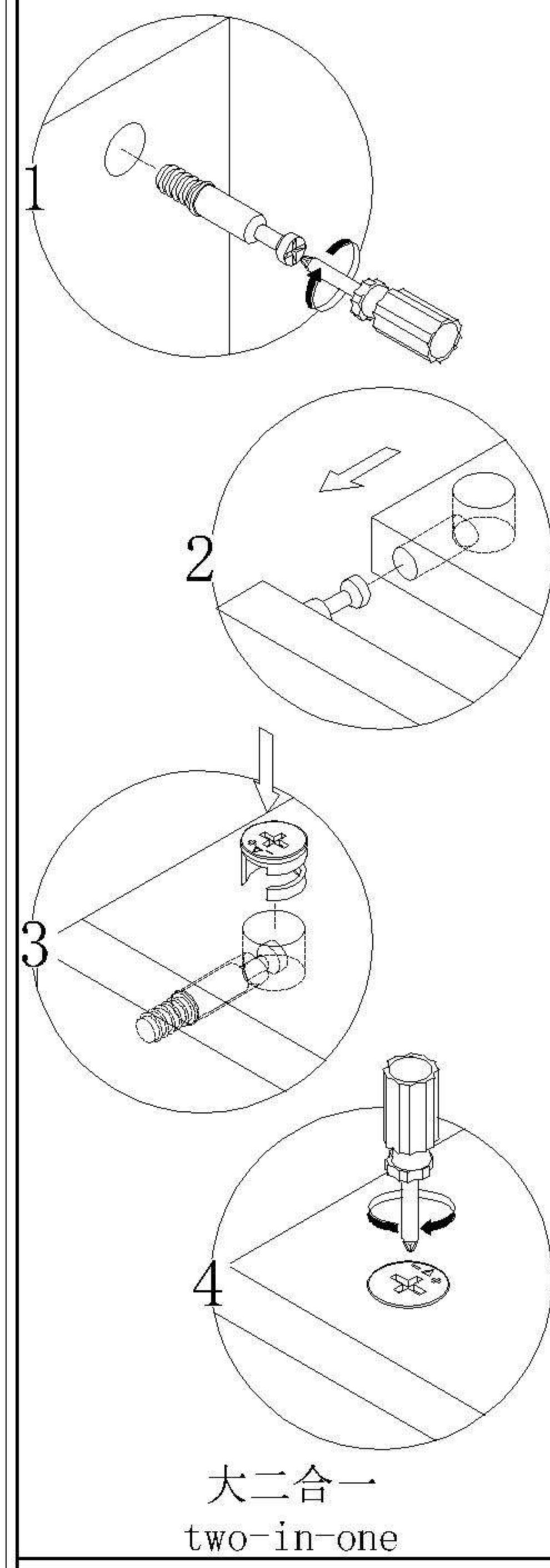
7

- (C)\*16 (K)\*8
- (H)\*2 (L)\*6

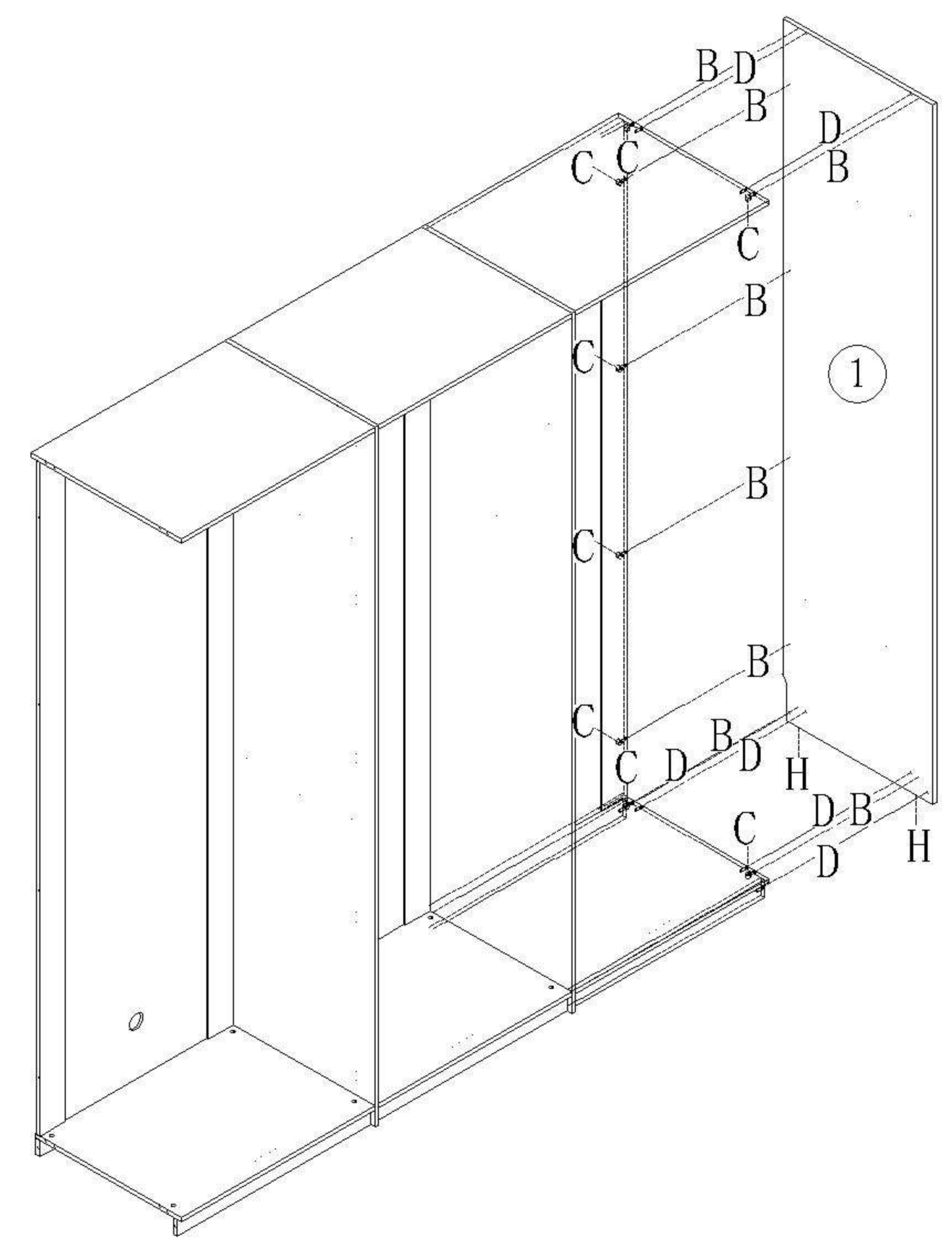
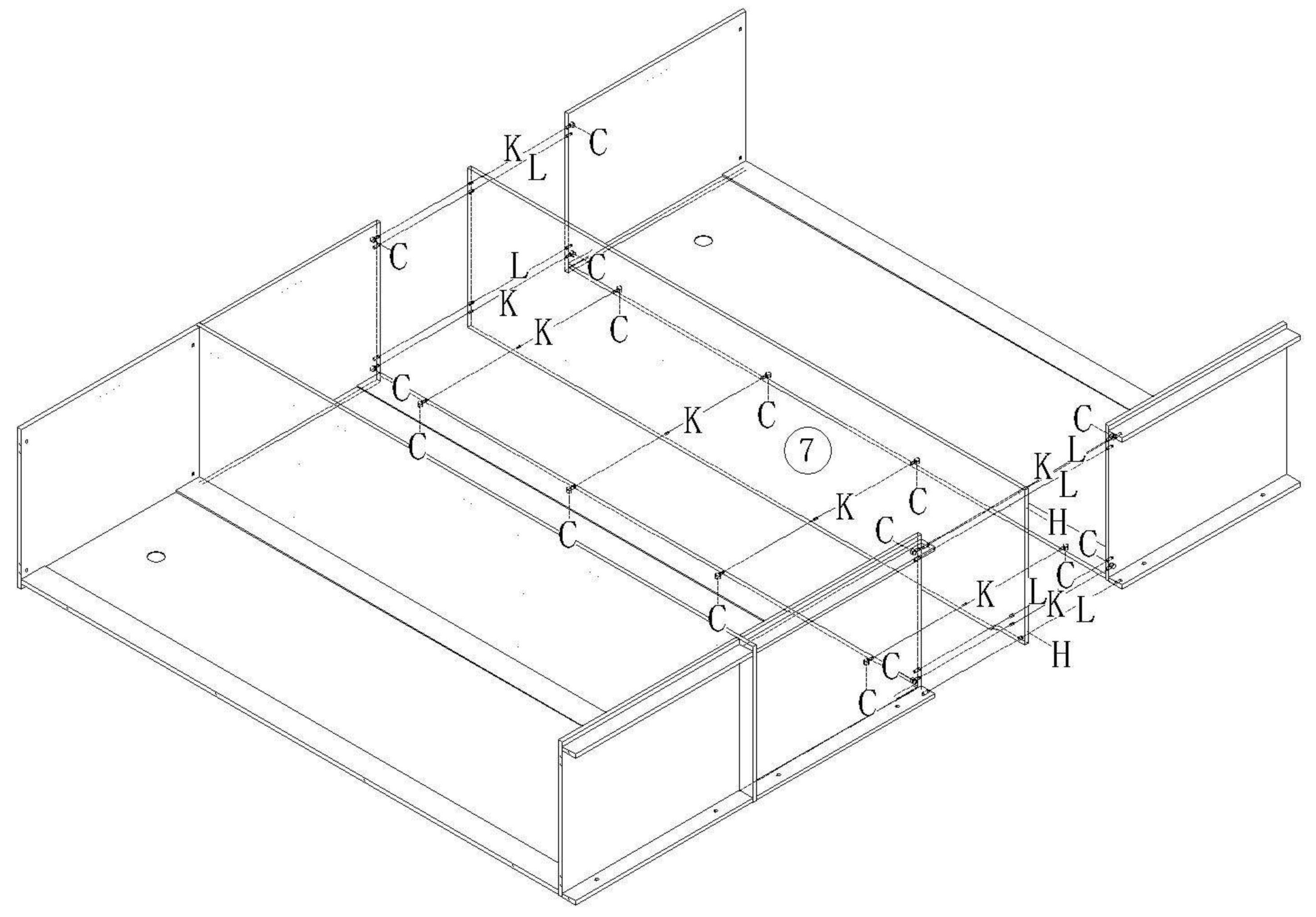


8

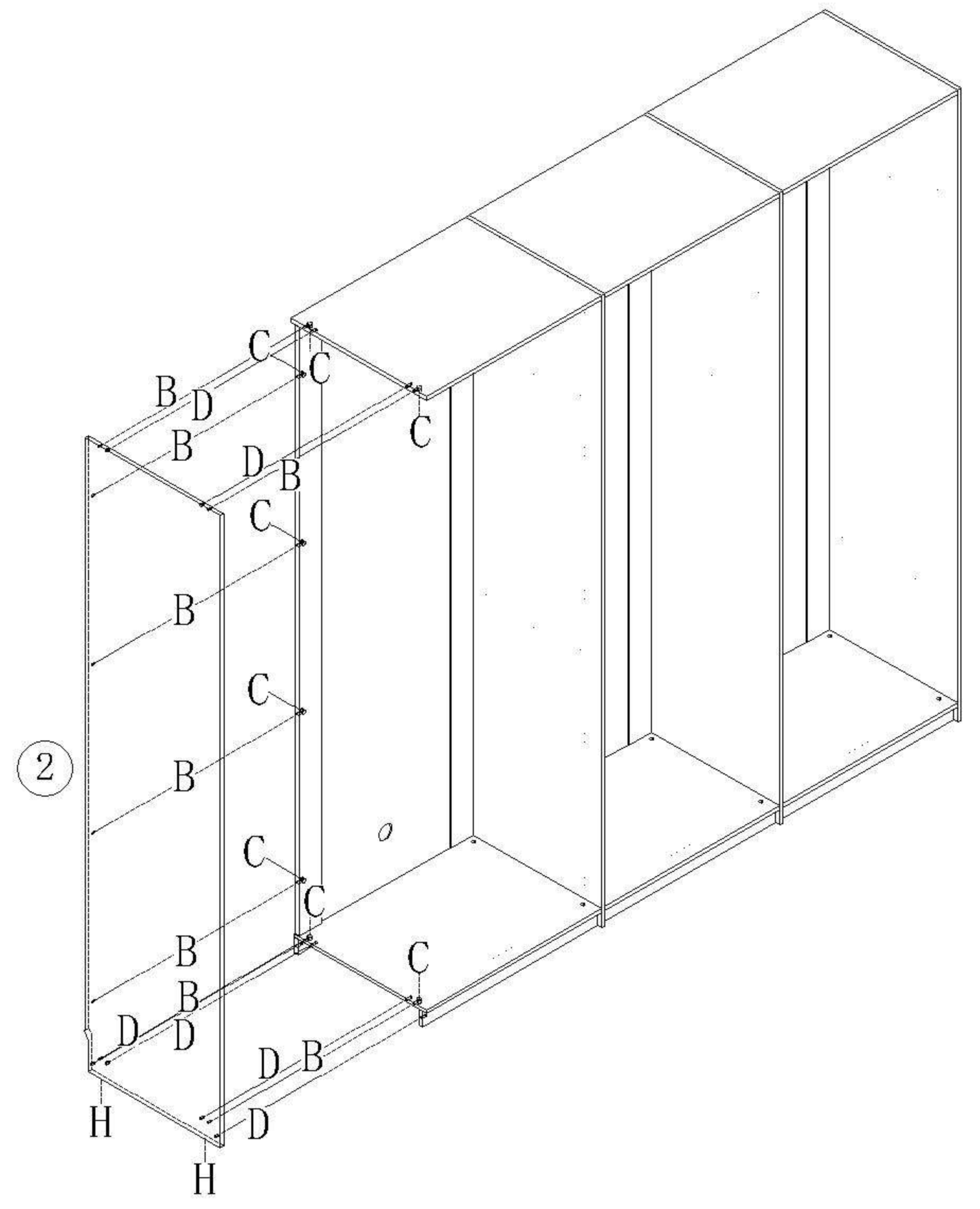
安装方法/  
Installation method



- (C)\*16
- (H)\*2
- (K)\*8
- (L)\*6
- (B)\*8
- (C)\*8
- (D)\*6
- (H)\*2



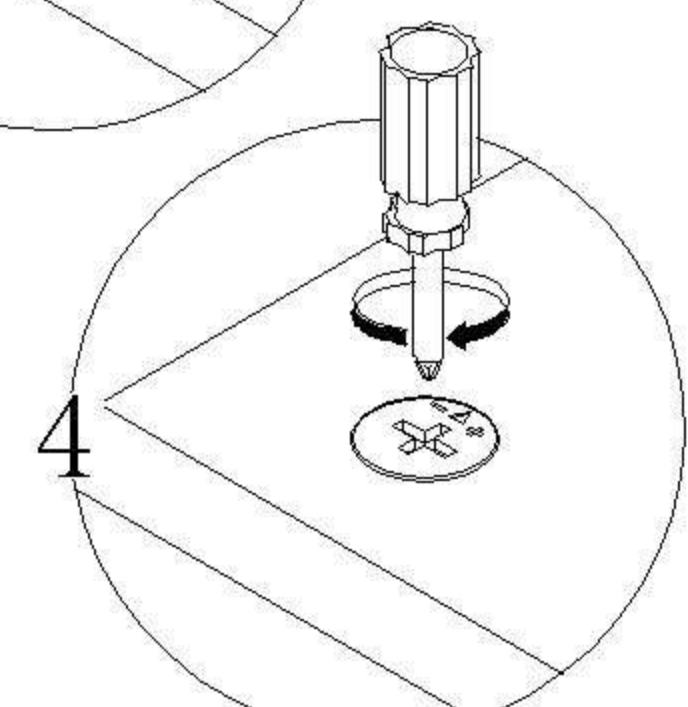
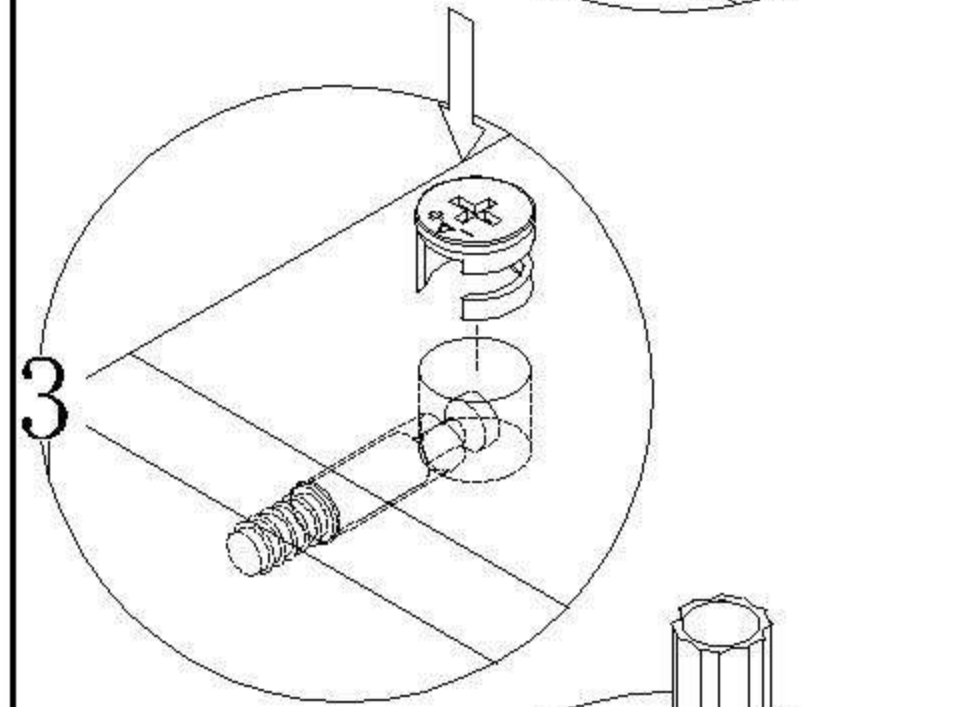
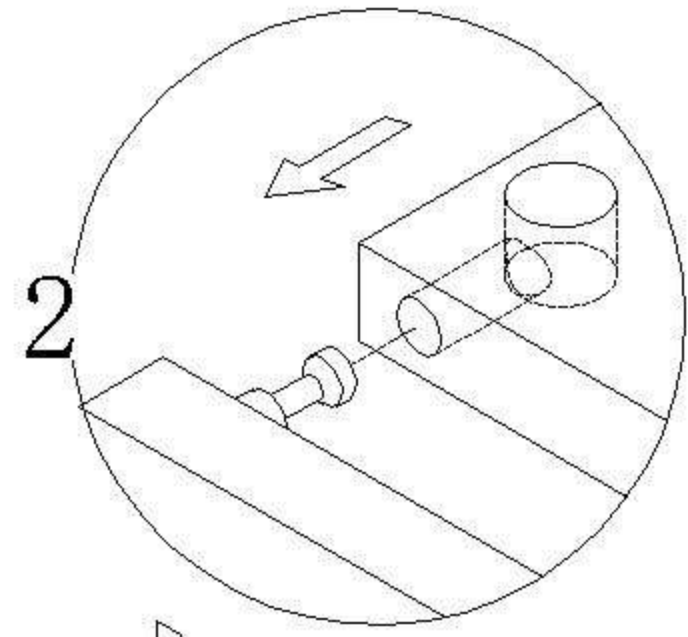
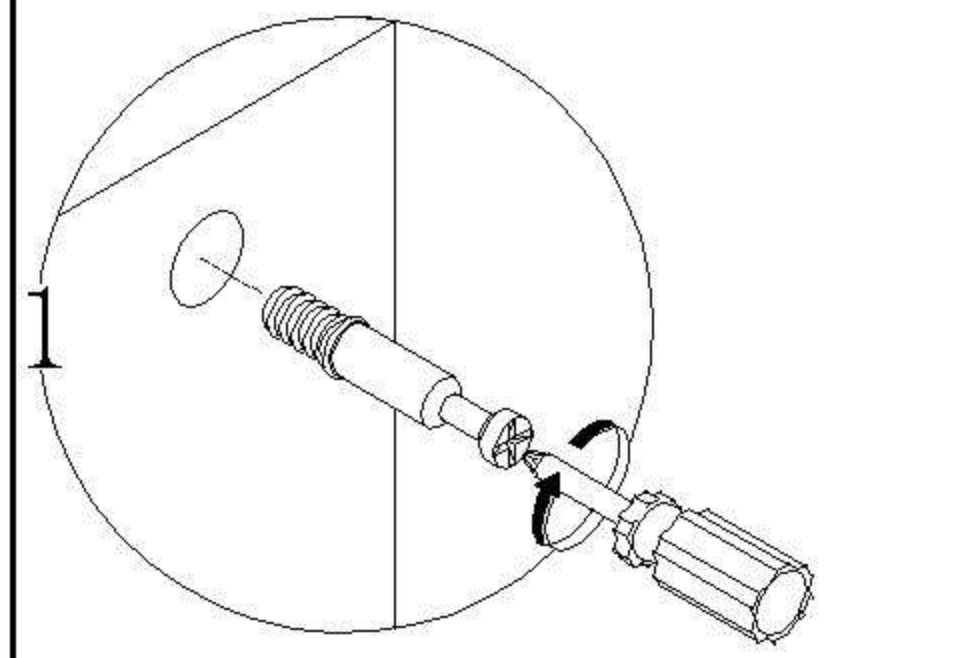
- 10 (B)\*8
- (C)\*8
- (D)\*6
- (H)\*2



11

YZ1D-A 六门衣柜2.4m

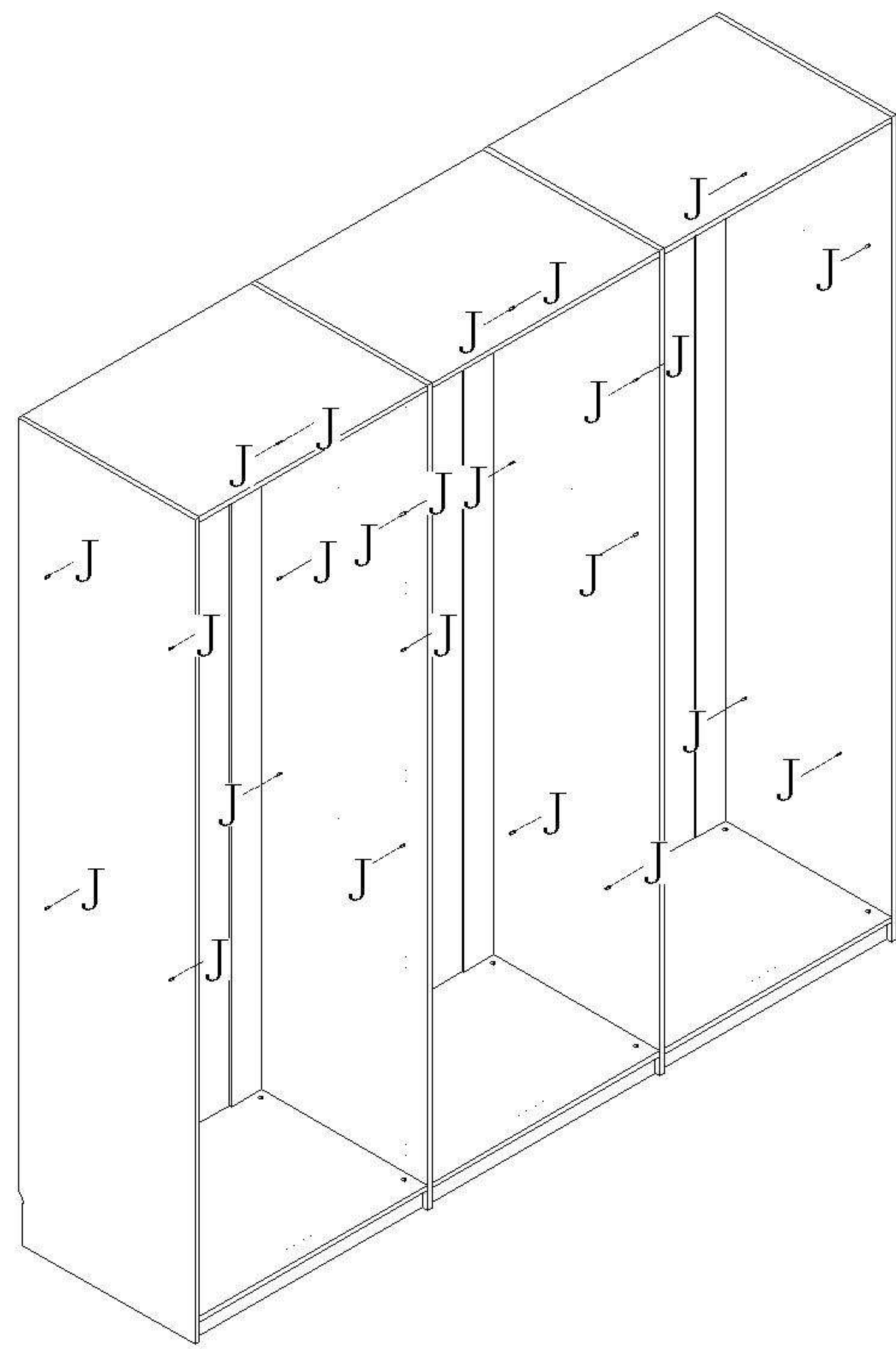
安装方法/  
Installation method



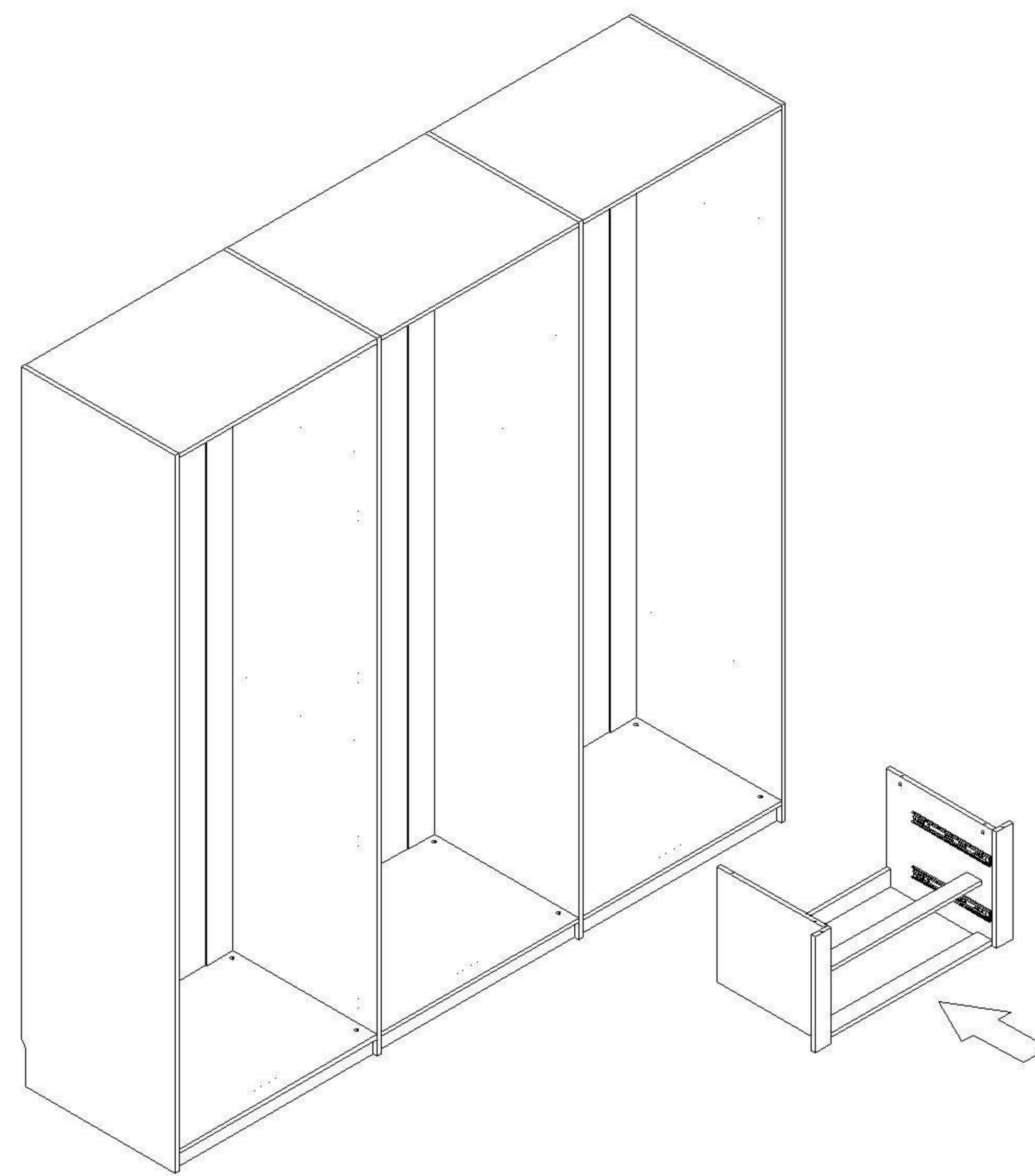
大二合一  
two-in-one

(J)\*24

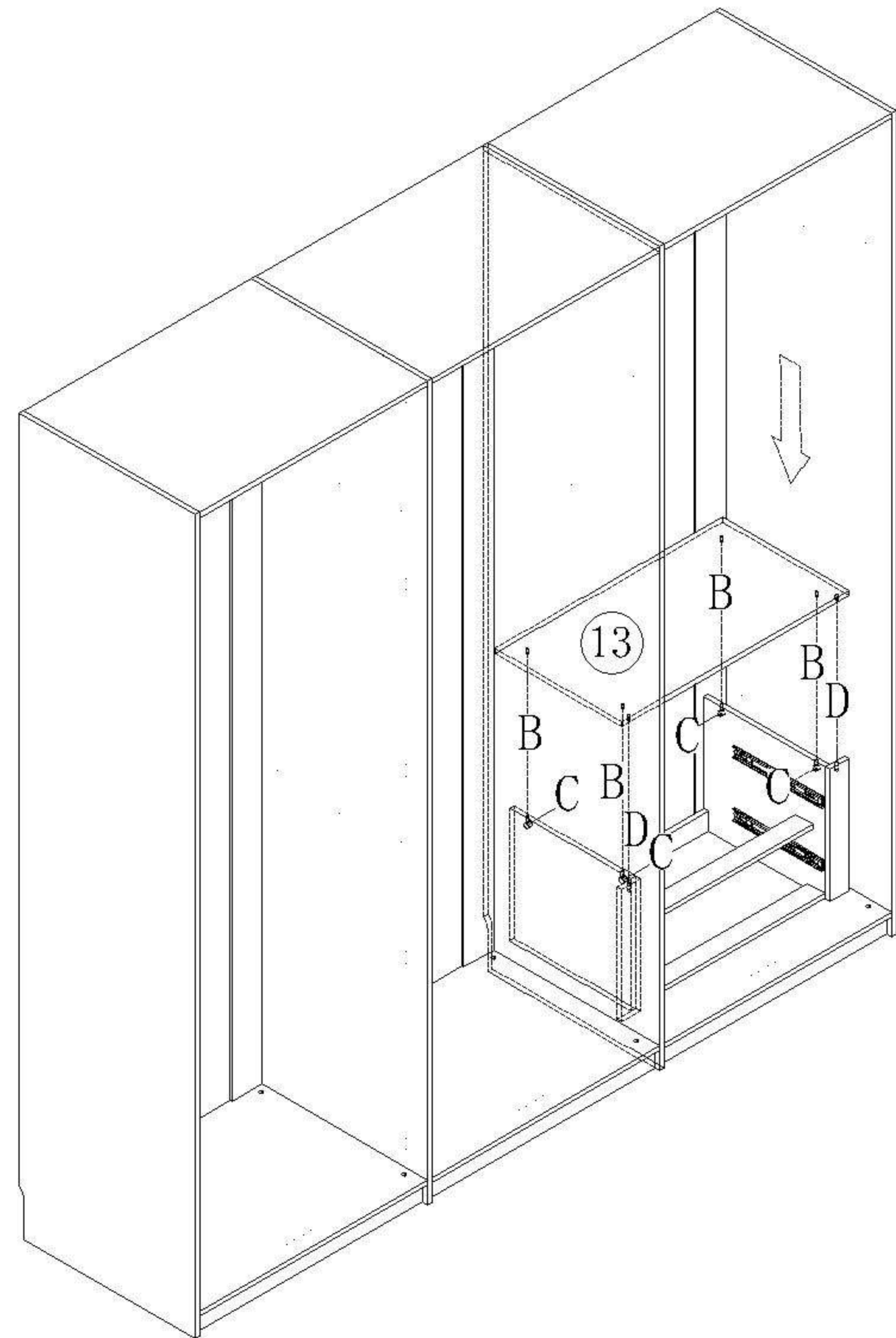
(B)\*4  
(C)\*4  
(D)\*2



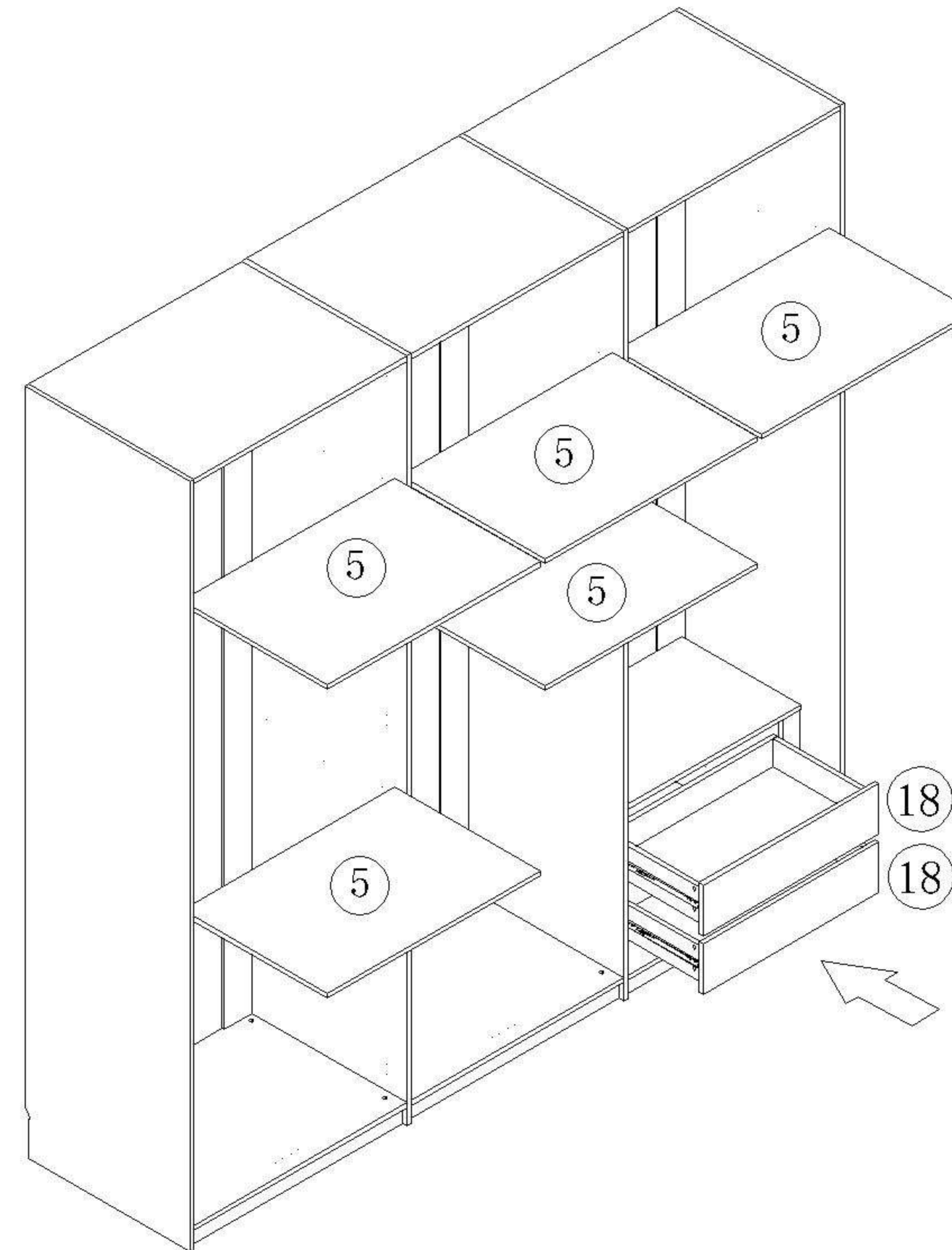
12



13

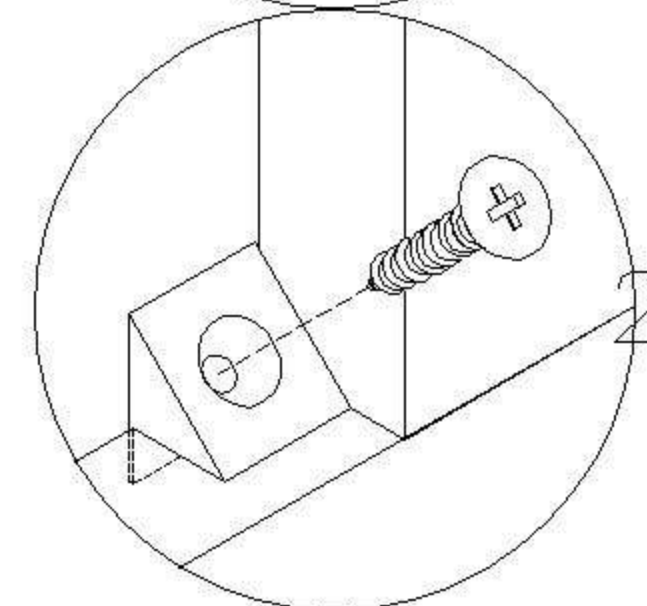
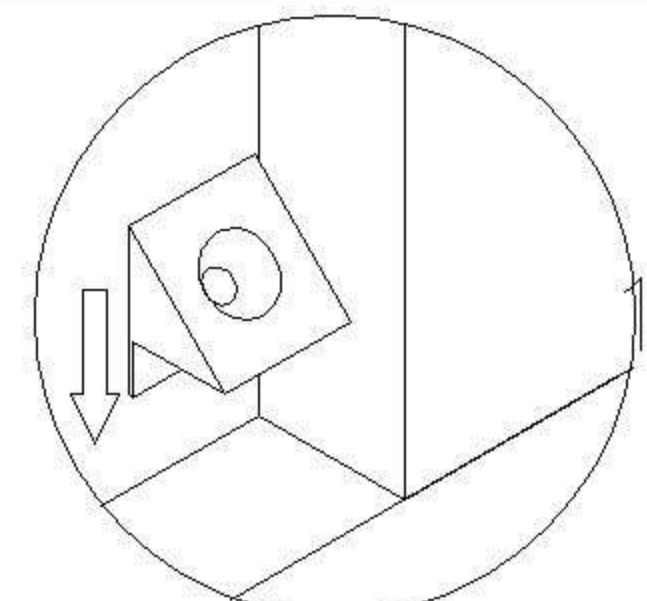


14



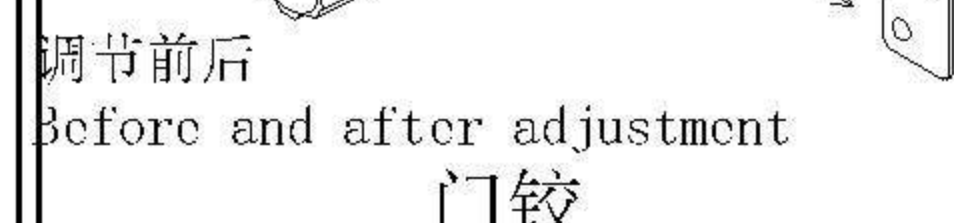
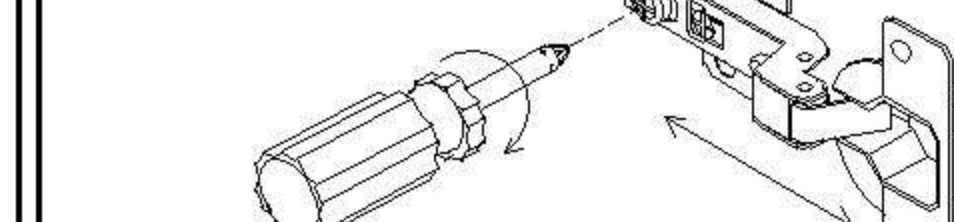
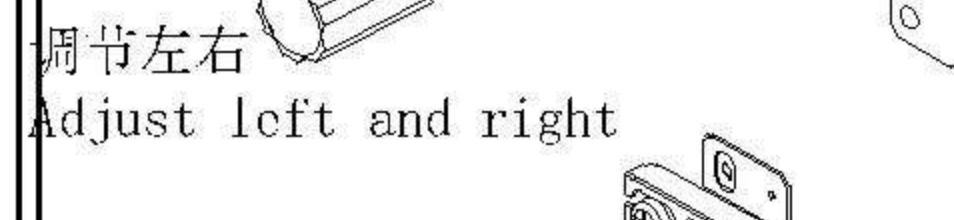
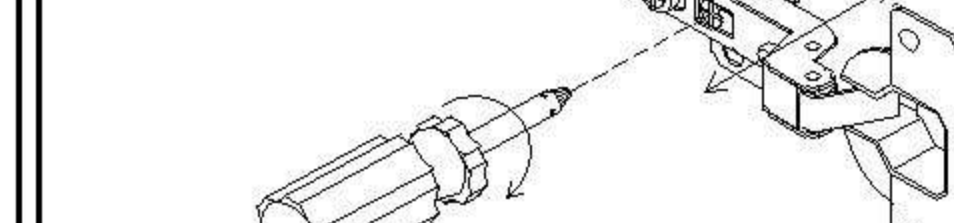
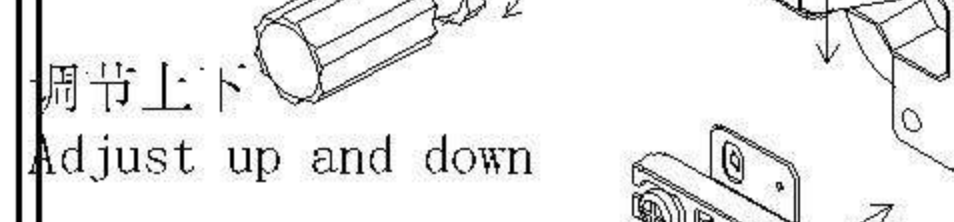
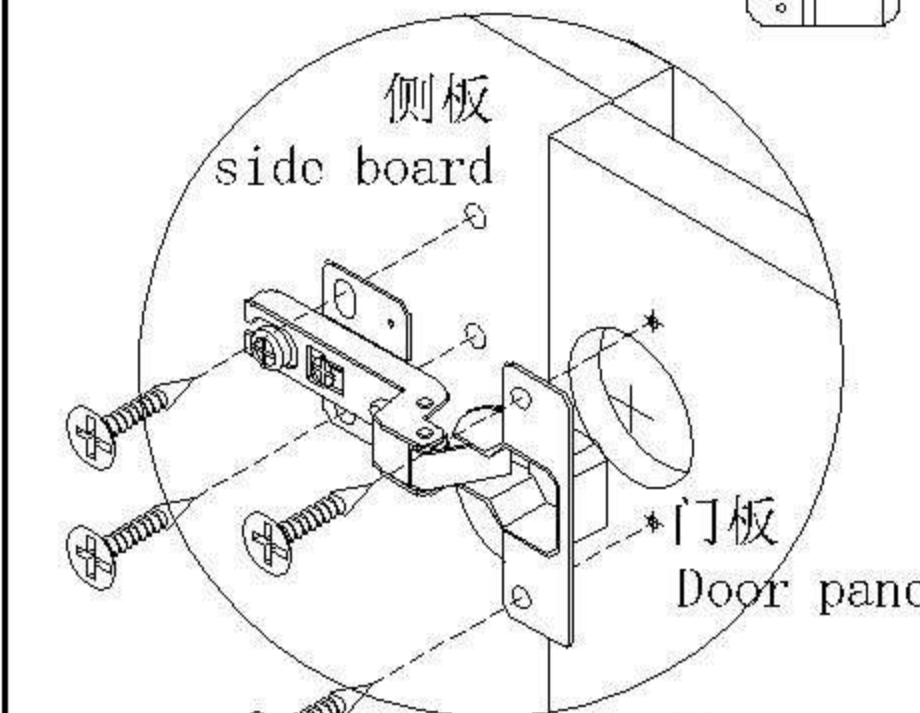
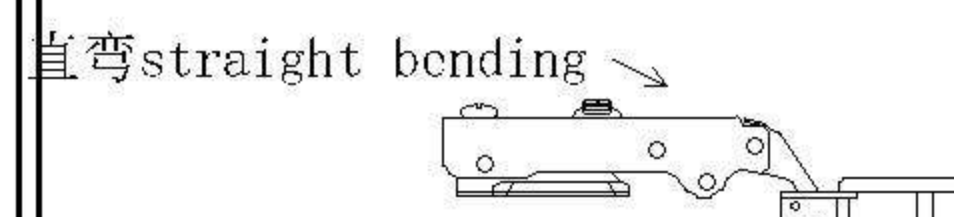
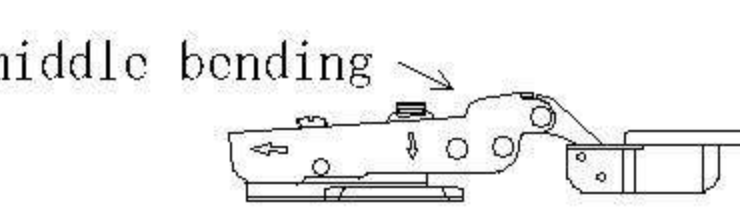
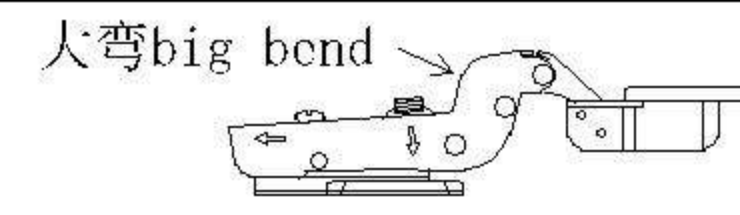
15

安装方法/  
Installation method



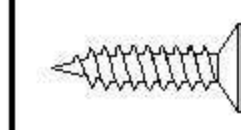
背板扣

Back Plate Buckle-White

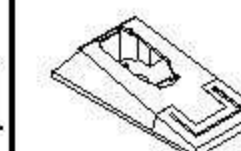


门铰

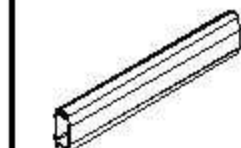
Hinge



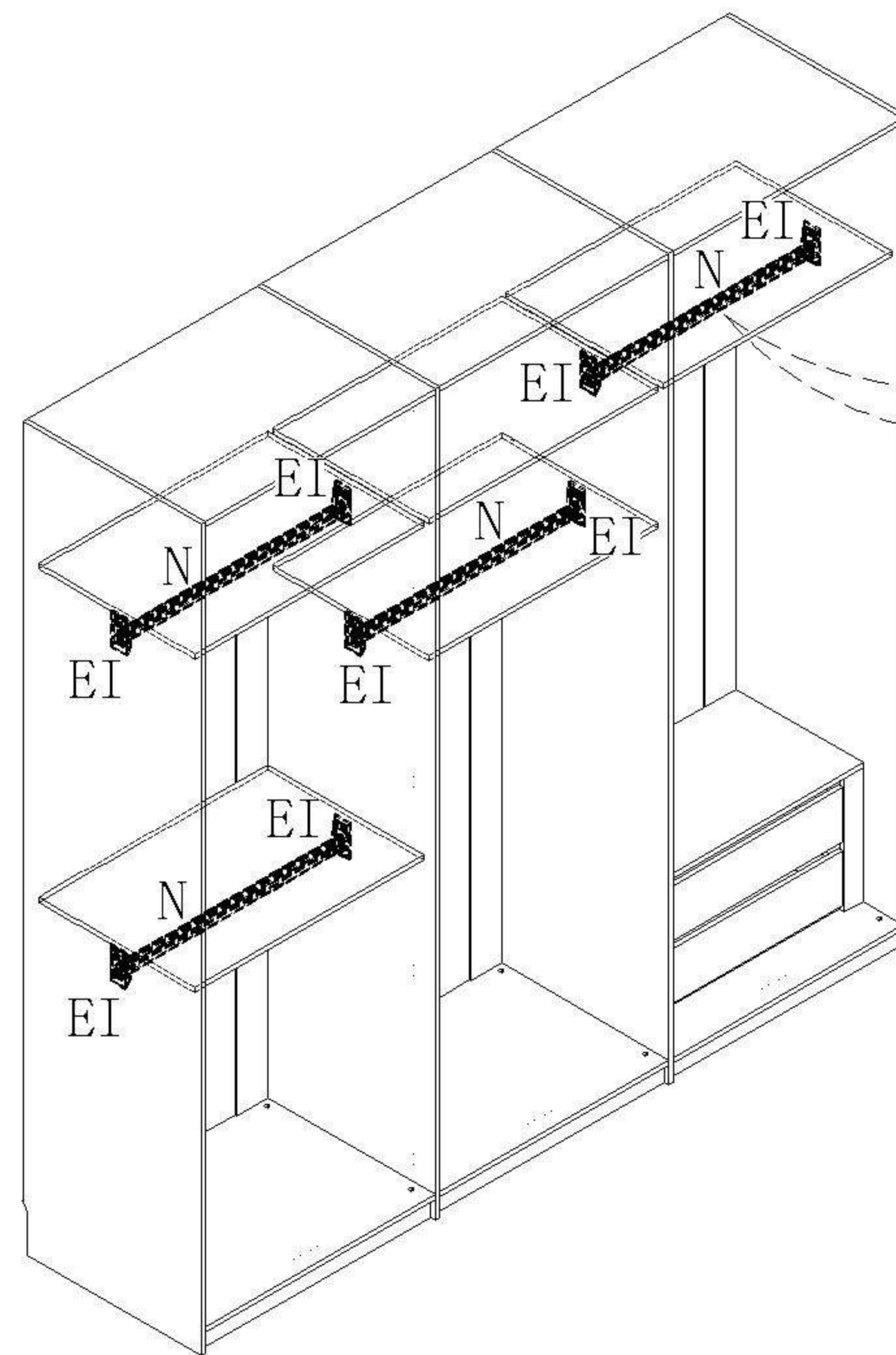
(E)\*16



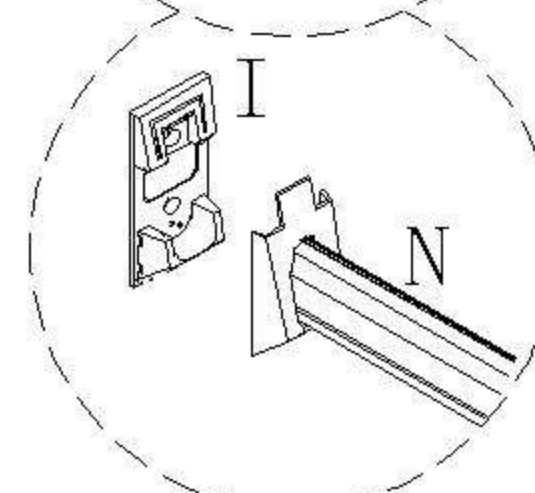
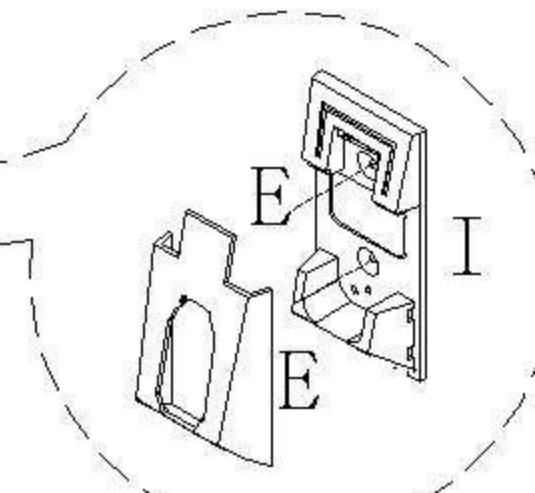
(I)\*8



(N)\*4

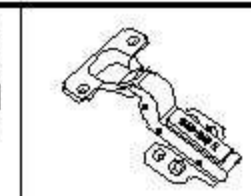


将五金I的盖子拆开再锁  
Remove the cover of hardware I and lock it



将五金 N 套进五金I的盖子  
再盖在五金I的底座上  
Put hardware N into the cover of hardware I and then cover the base of hardware I

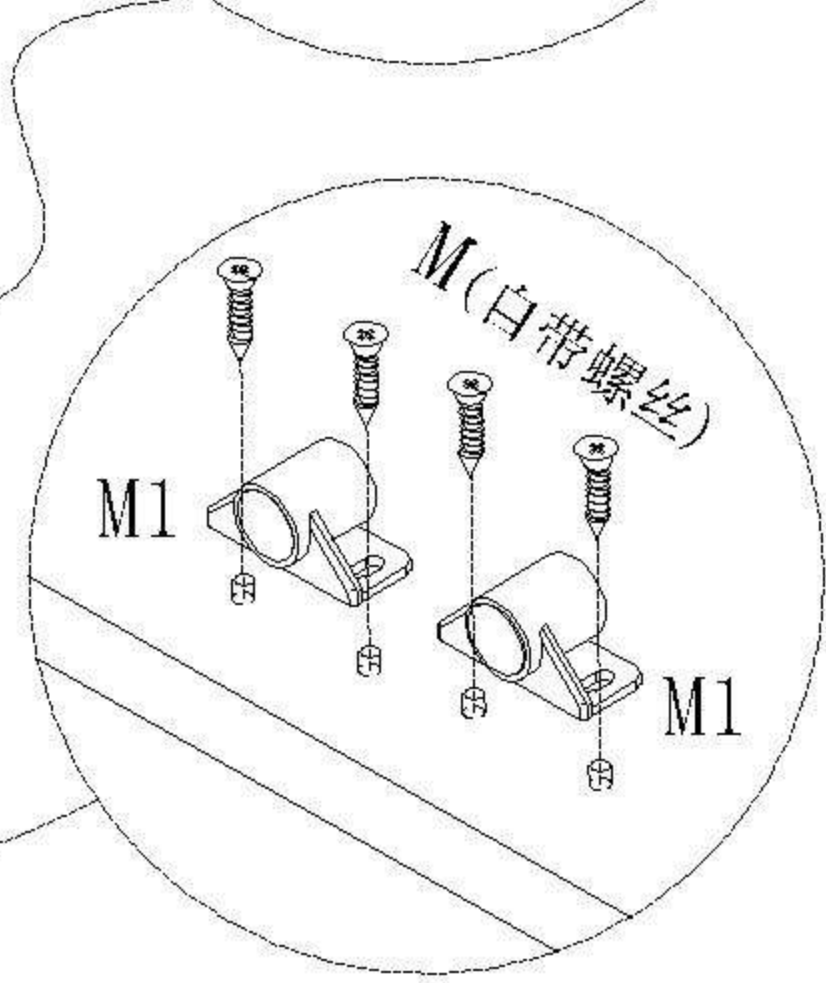
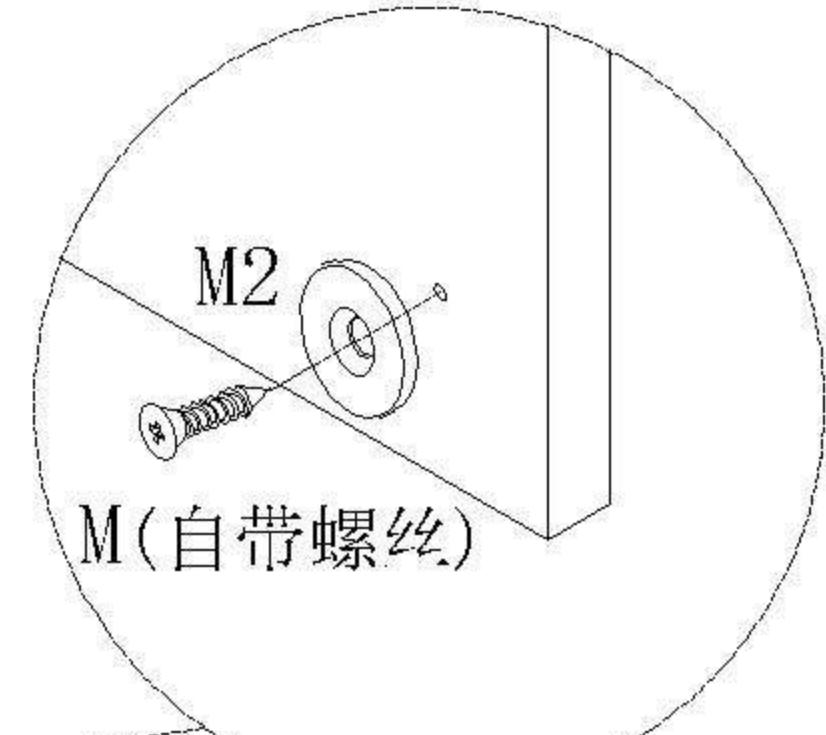
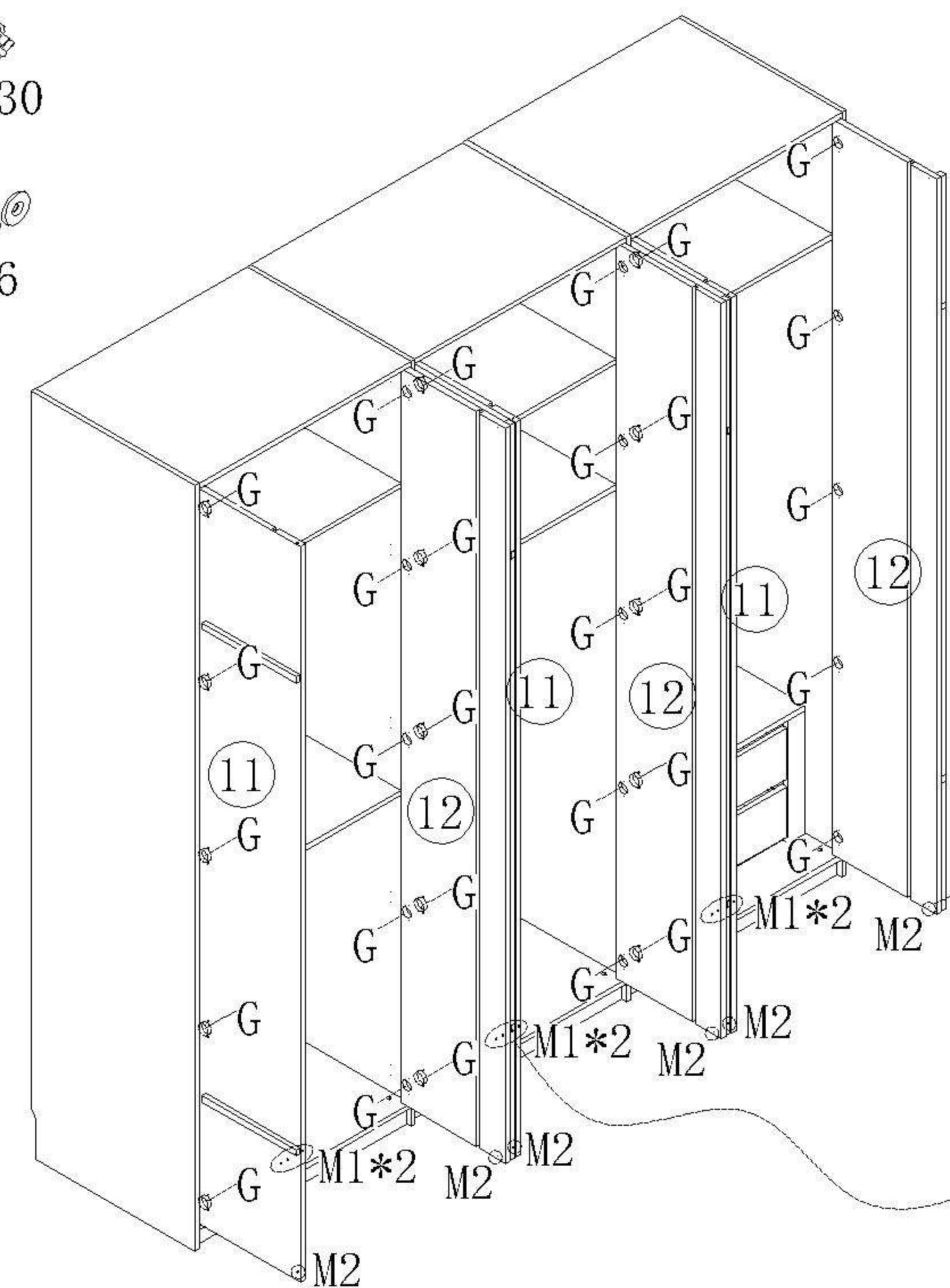
16



(G)\*30



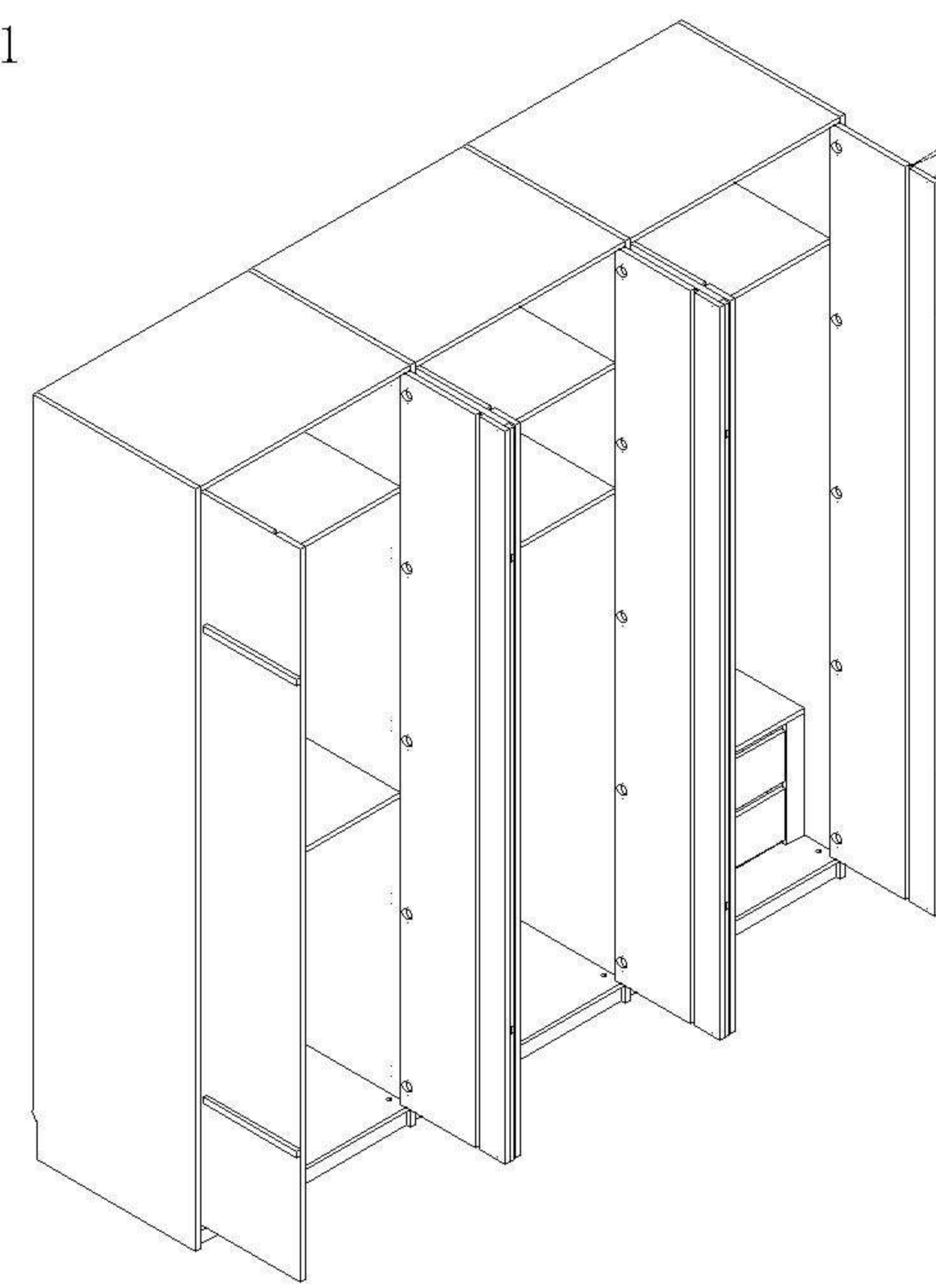
(M)\*6



17

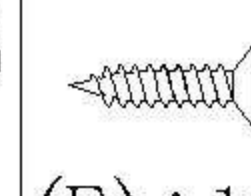


(P)\*1

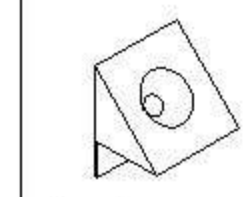


注意如门板弯曲可在此处用五金 (P) 调节  
Pay attention to installing upwards. If the door panel is bent, it can be adjusted here with hardware (P)

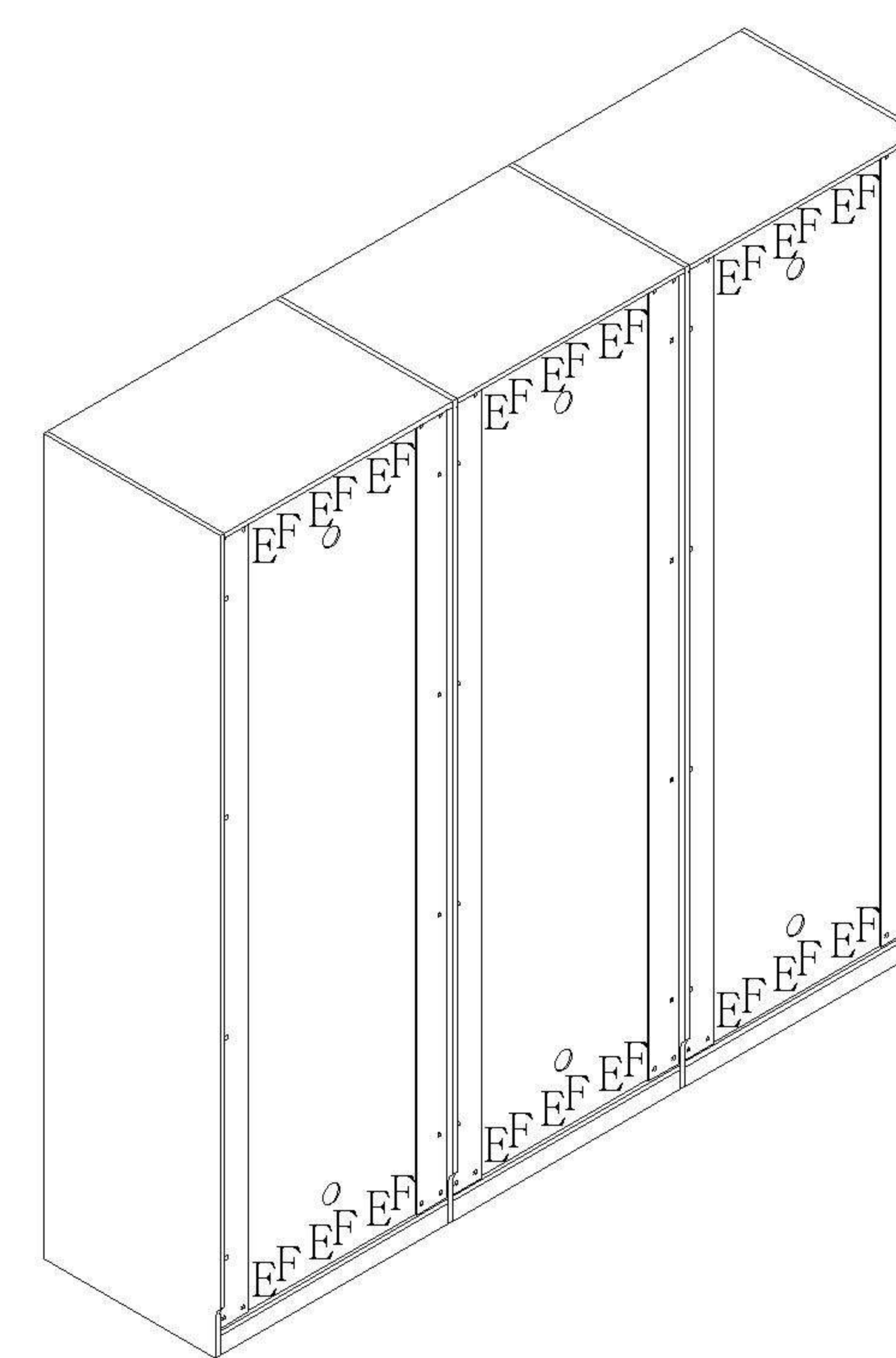
18



(E)\*18



(F)\*18



19