

# LINSY 林氏家居

## 五金表/Hardware list

## 部件表/Parts List

安装示意图/Assembly Instruction

产品名称 Model NO.

三门衣柜2.0m

产品型号 Product Model

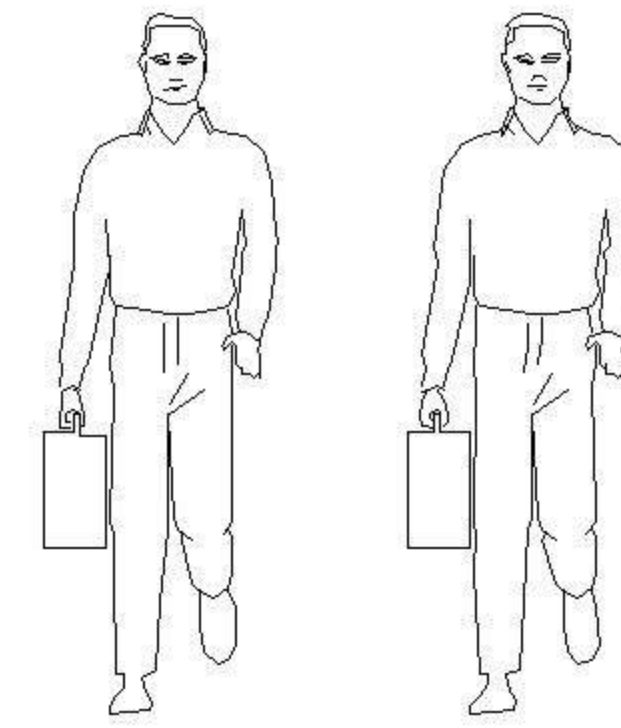
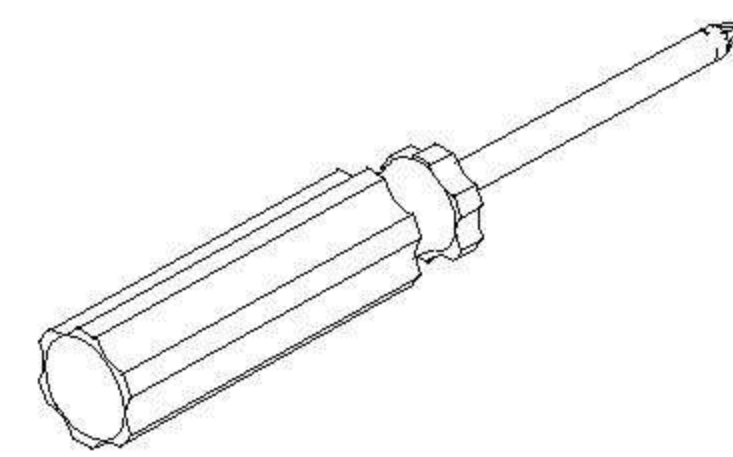
YZ1D-A

尺寸规格 Specification

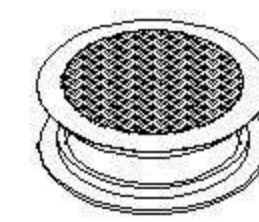
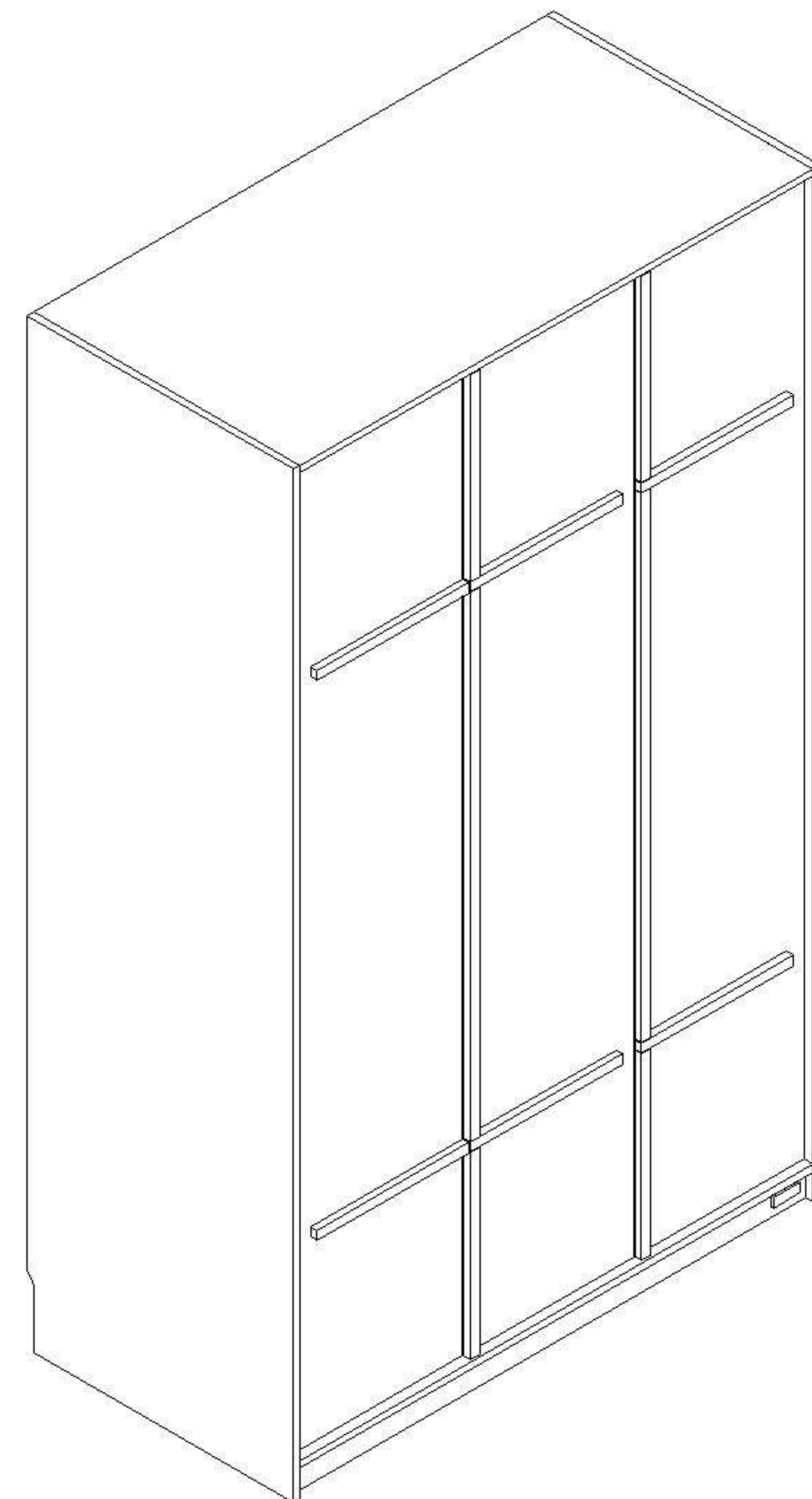
(1178\*594\*2003)mm

安装工具 Tool

安装人数 Installer



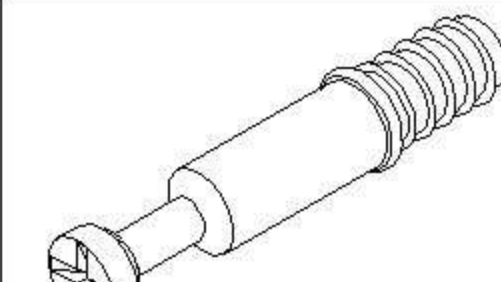
注：为保证设计效果，部分尺寸为定制尺寸，不影响使用。



(A)\* 4

透气孔盖

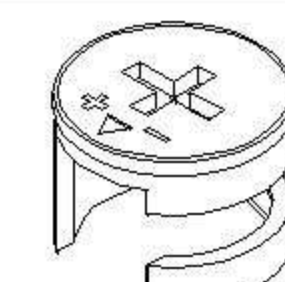
Vent cover white



(B)\* 44

二合一螺杆

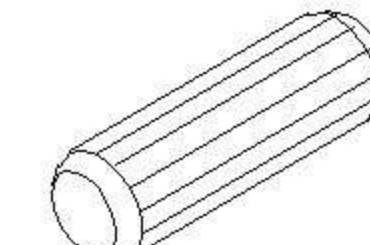
2 in 1 screw



(C)\* 44

大三合一锁饼

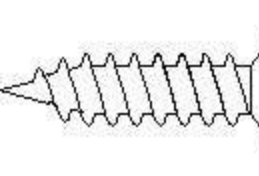
Three in one large lock



(D)\* 17

木榫Ø8x30mm

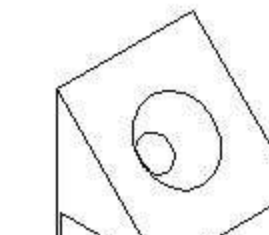
wood tenon



(E)\* 23

自攻螺丝M3.5x14mm

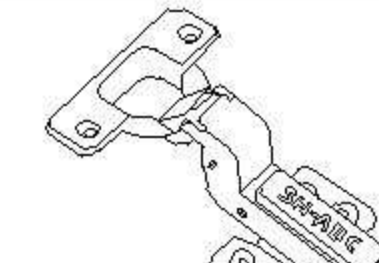
Self tapping screw



(F)\* 11

背板扣

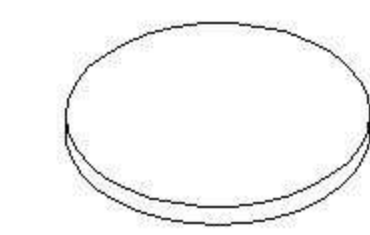
Back Plate Buckle White



(G)\* 12

缓冲门铰大弯-Ø35

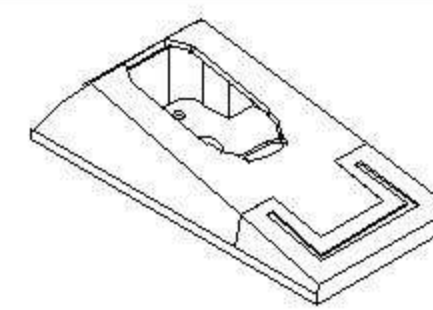
Hinge-big bends



(H)\* 12

脚垫

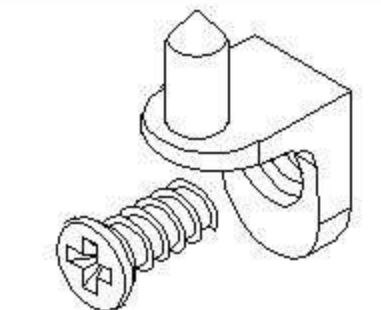
Footrest



(I)\* 6

挂衣杆托

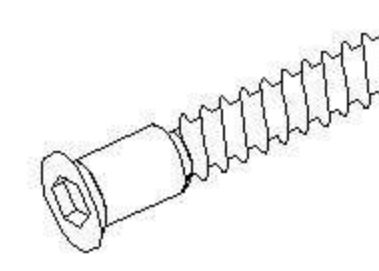
Clothes hanger



(J)\* 8

层板托

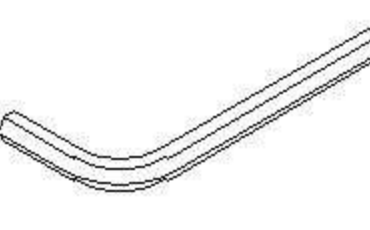
shelf support



(K)\* 2

过山丝-M7x38mm

Self-tapping screw galvanized



(L)\* 1

内六角扳手4mm

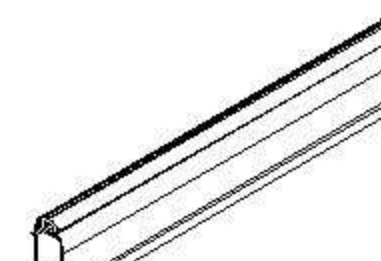
spanner-(4mm) hex



(M)\* 4

古铜色消音磁碰

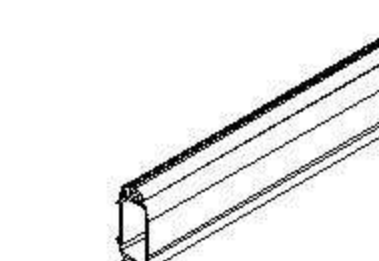
magnetic catch



(N)\* 2

挂衣杆-L=758mm

Clothes hanging rod



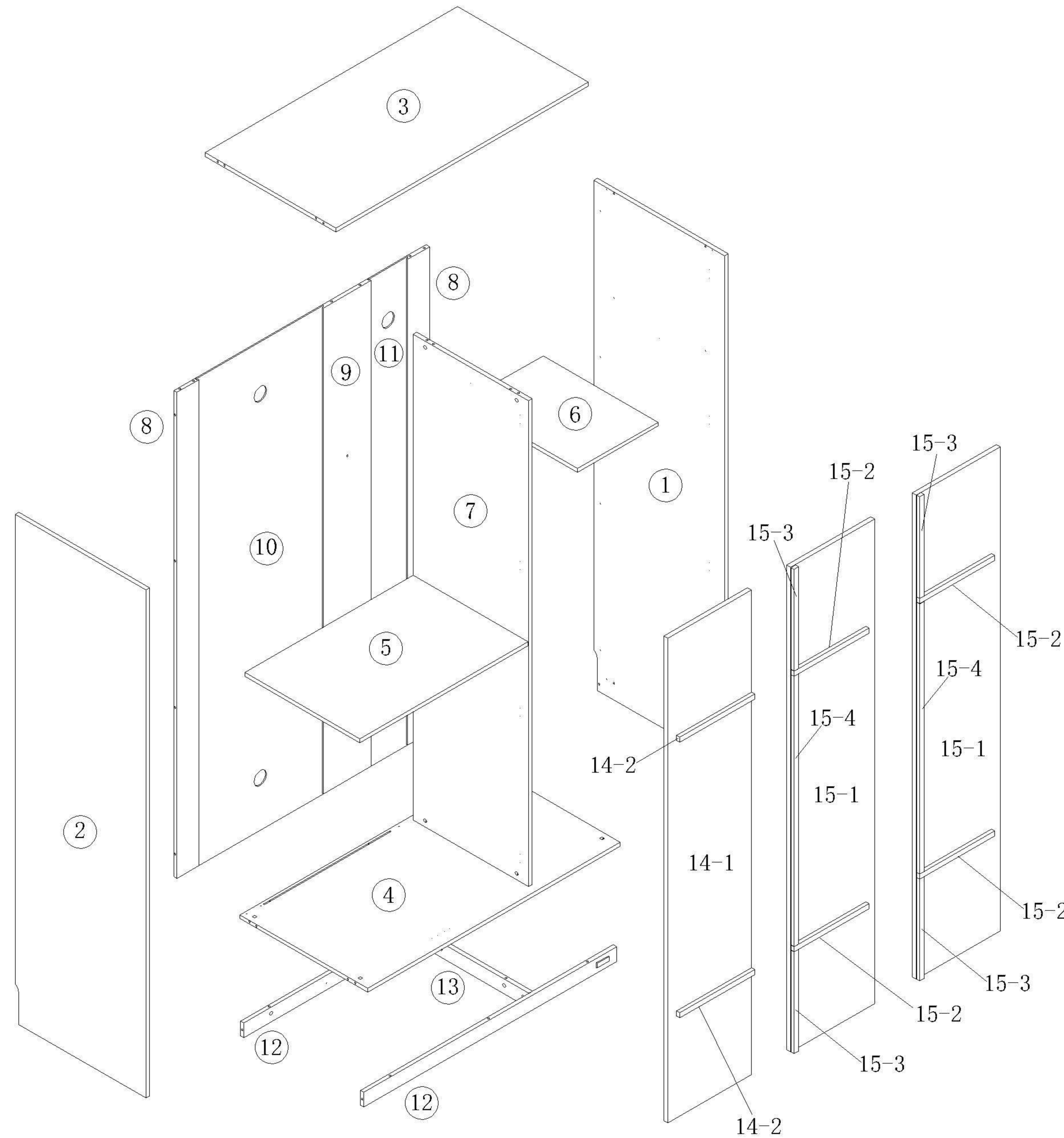
(O)\* 1

挂衣杆-L=359mm

Clothes hanging rod

编号NO.	名称Name	规格 (mm) Specification	数量QTY	材质Material
①	右侧板Side board (R)	2000*594*15	1	刨花板 Particle board
②	左侧板Side board (L)	2000*594*15	1	刨花板 Particle board
③	顶板Top board	1148*594*15	1	刨花板 Particle board
④	底板Bottom board	1148*579*15	1	刨花板 Particle board
⑤	长活动层板Long movable shelf	765*522*15	1	刨花板 Particle board
⑥	短活动层板Short movable shelf	366*522*15	1	刨花板 Particle board
⑦	中侧板Middle side board	1912*524*15	1	刨花板 Particle board
⑧	边背拉条Side back brace	1912*101*15	2	刨花板 Particle board
⑨	长拉条Long brace	1912*218*15	1	刨花板 Particle board
⑩	背板Back board	1922*575*5	1	纤维板 Fiberboard
⑪	小背板Small back board	1922*176*5	1	纤维板 Fiberboard
⑫	前脚条Front foot strip	1148*58*15	2	刨花板 Particle board
⑬	中脚条Middle foot strip	531*58*15	1	刨花板 Particle board
⑭	左门板组立Door board assembly (L)	1906*380*33	1	刨花板+白蜡木 Particle board+Ash
14-1	左门板Door board (L)	1906*380*18	1	刨花板 Particle board
14-2	门板装饰条1 Door panel decorative strip 1	340*15*20	2	白蜡木 Ash
⑮	右门板组立Door board assembly (R)	1906*380*33	2	刨花板+白蜡木 Particle board+Ash
15-1	右门板Door board (R)	1906*380*18	2	刨花板 Particle board
15-2	门板装饰条1 Door panel decorative strip 1	340*15*20	4	白蜡木 Ash
15-3	门板装饰条2 Door panel decorative strip 2	400*15*20	4	白蜡木 Ash
15-4	门板装饰条3 Door panel decorative strip 3	1063*15*20	2	白蜡木 Ash

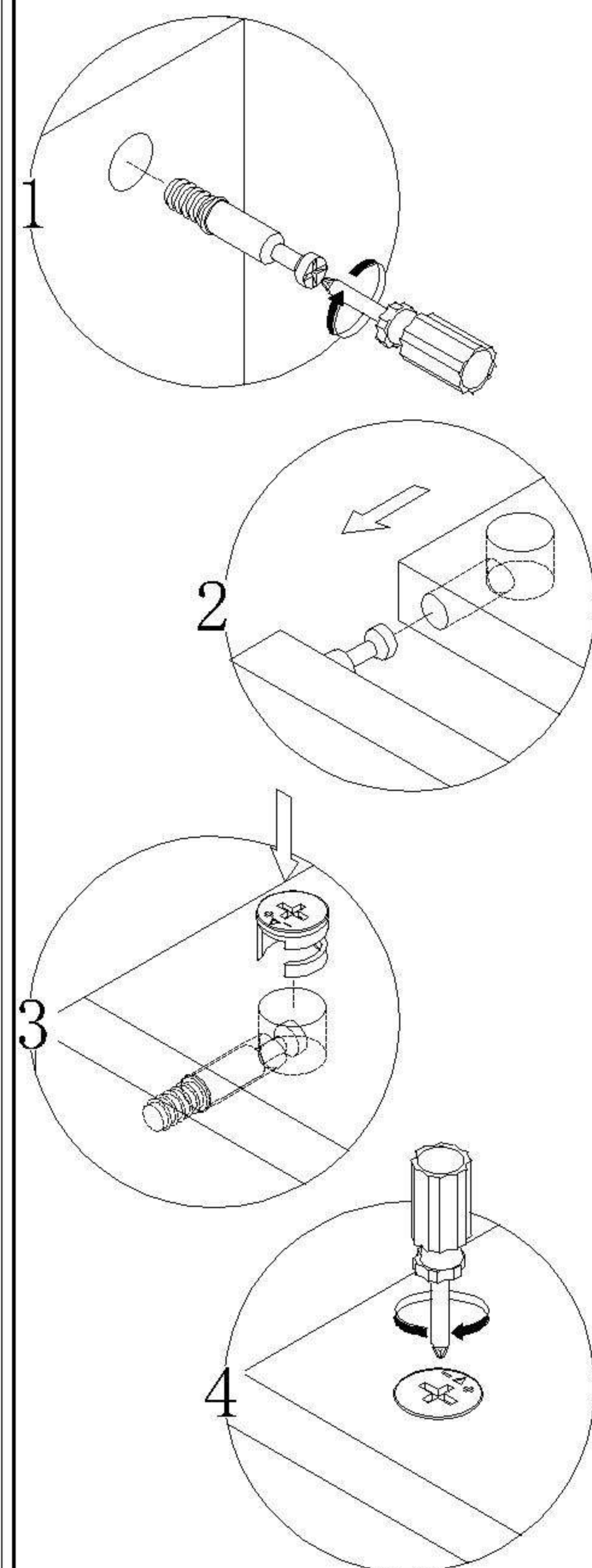
警告：门板与柜体有设计所需的开启间隙，小心夹伤  
Warning: The door panel and the cabinet have the opening gap required by the design, beware of clamping



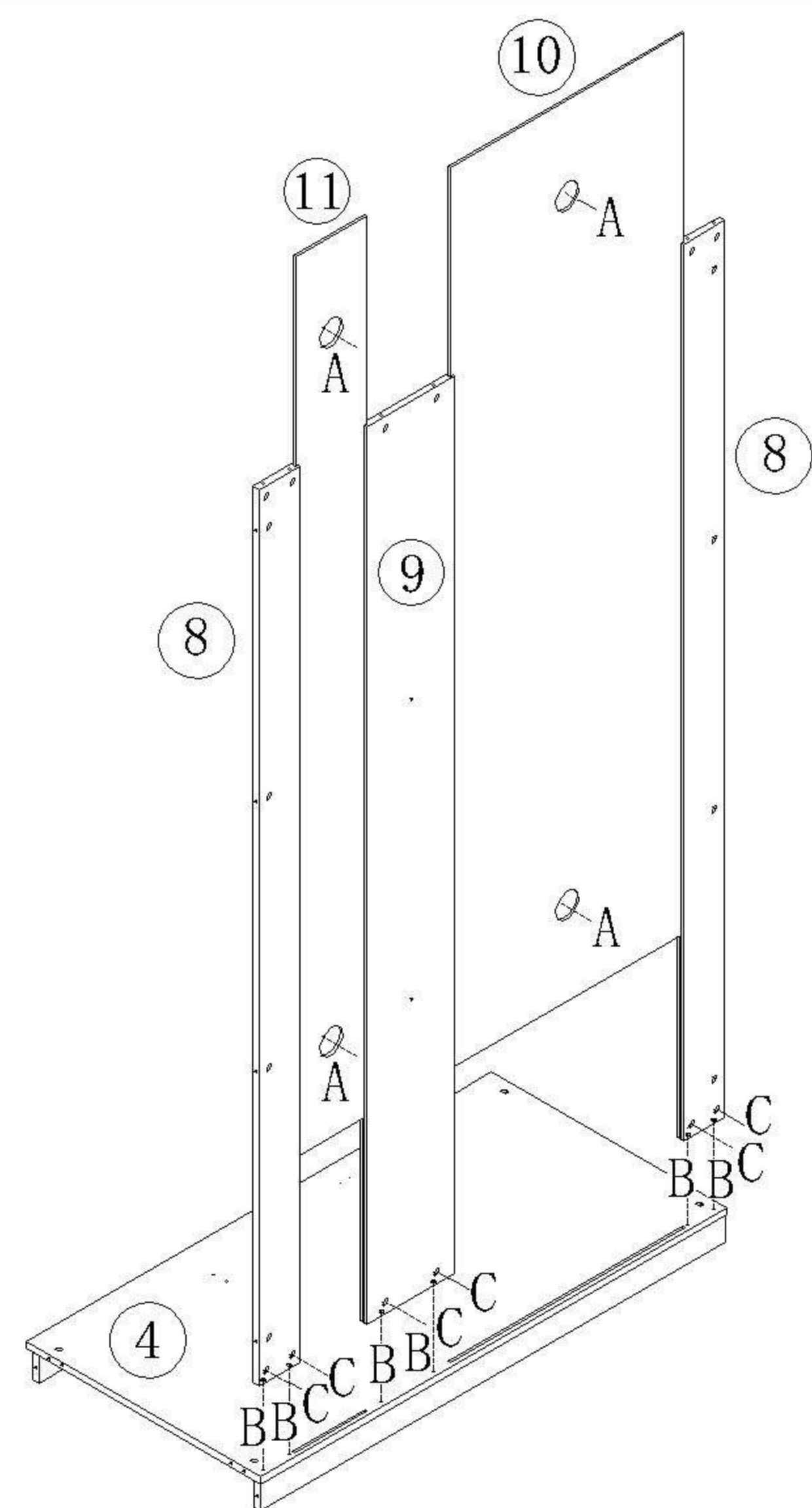
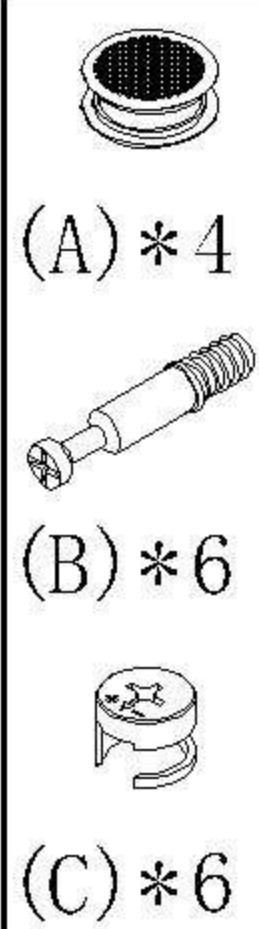
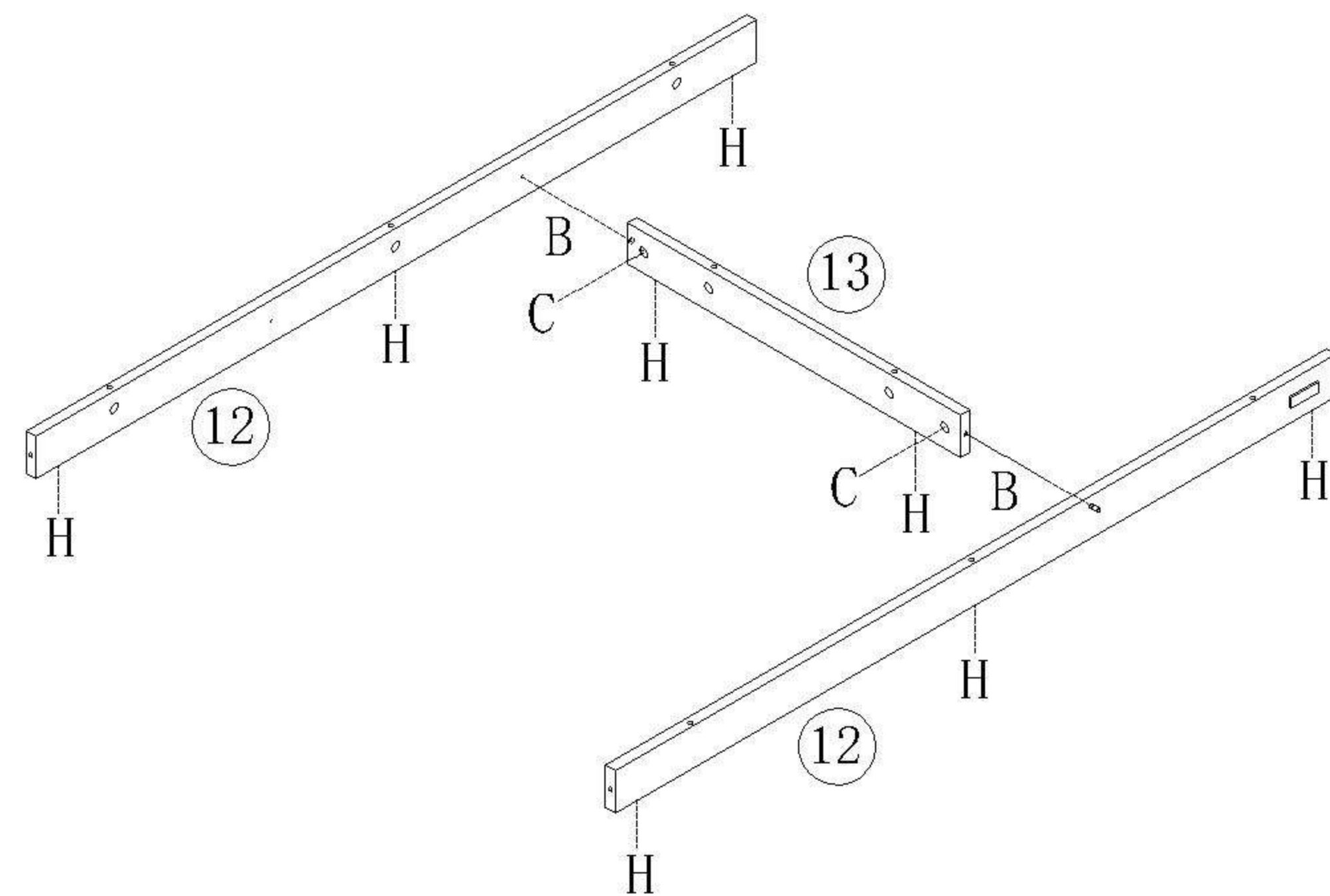
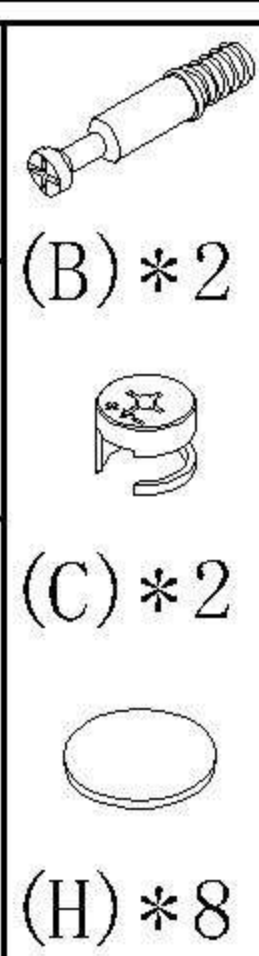
编号NO.	名称Name
①	右侧板Side board (R)
②	左侧板Side board (L)
③	顶板Top board
④	底板Bottom board
⑤	长活动层板Long movable shelf
⑥	短活动层板Short movable shelf
⑦	中侧板Middle side board
⑧	边背拉条Side back brace
⑨	长拉条Long brace
⑩	背板Back board
⑪	小背板Small back board
⑫	前脚条Front foot strip
⑬	中脚条Middle foot strip
⑭	左门板组立Door board assembly (L)
14-1	左门板Door board (L)
14-2	门板装饰条1 Door panel decorative strip 1
⑮	右门板组立Door board assembly (R)
15-1	右门板Door board (R)
15-2	门板装饰条1 Door panel decorative strip 1
15-3	门板装饰条2 Door panel decorative strip 2
15-4	门板装饰条3 Door panel decorative strip 3

YZ1D-A 三门衣柜2.0m

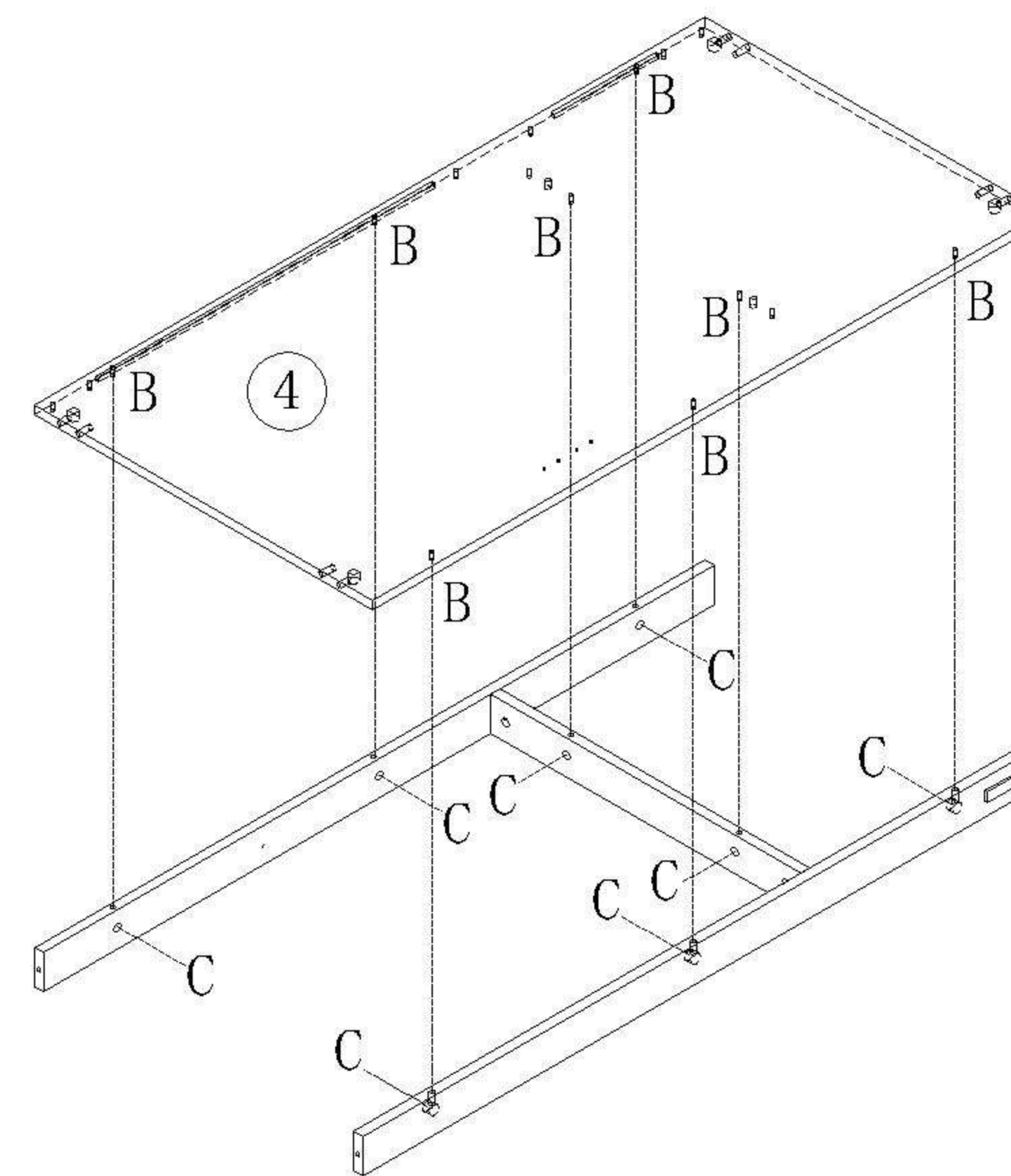
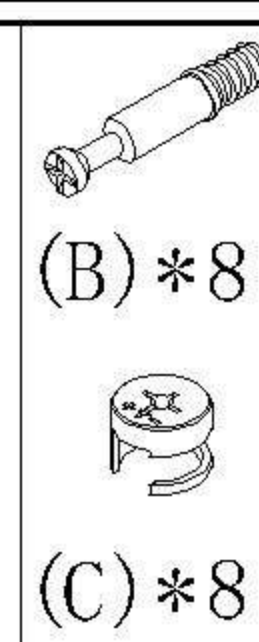
安装方法/  
Installation method



大二合一  
two-in-one

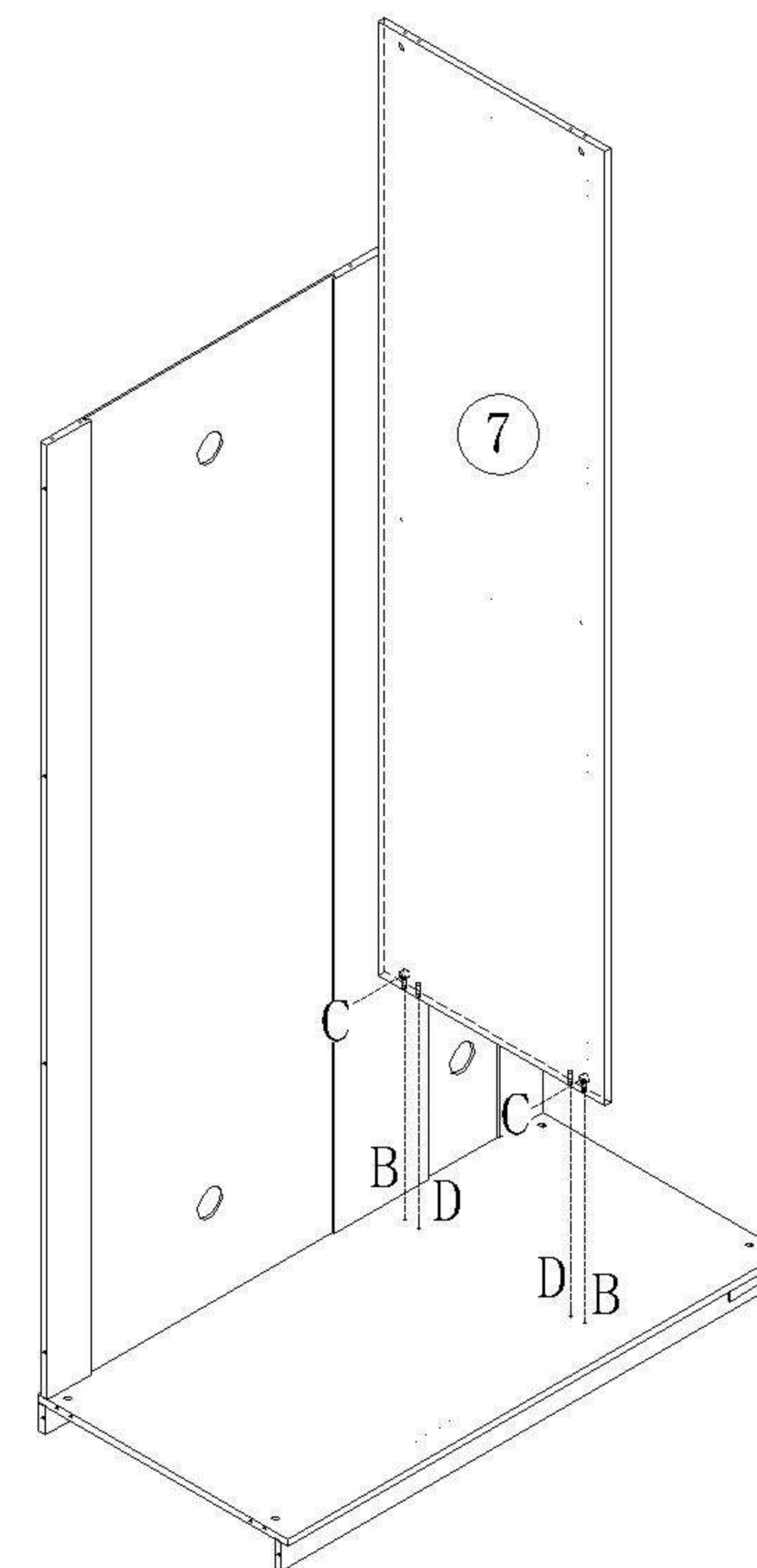
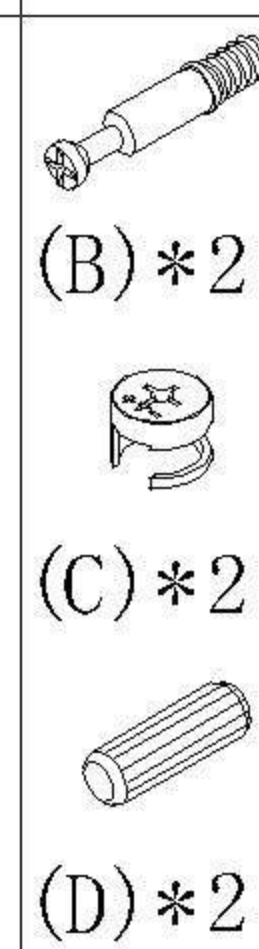


1



2

3



4

