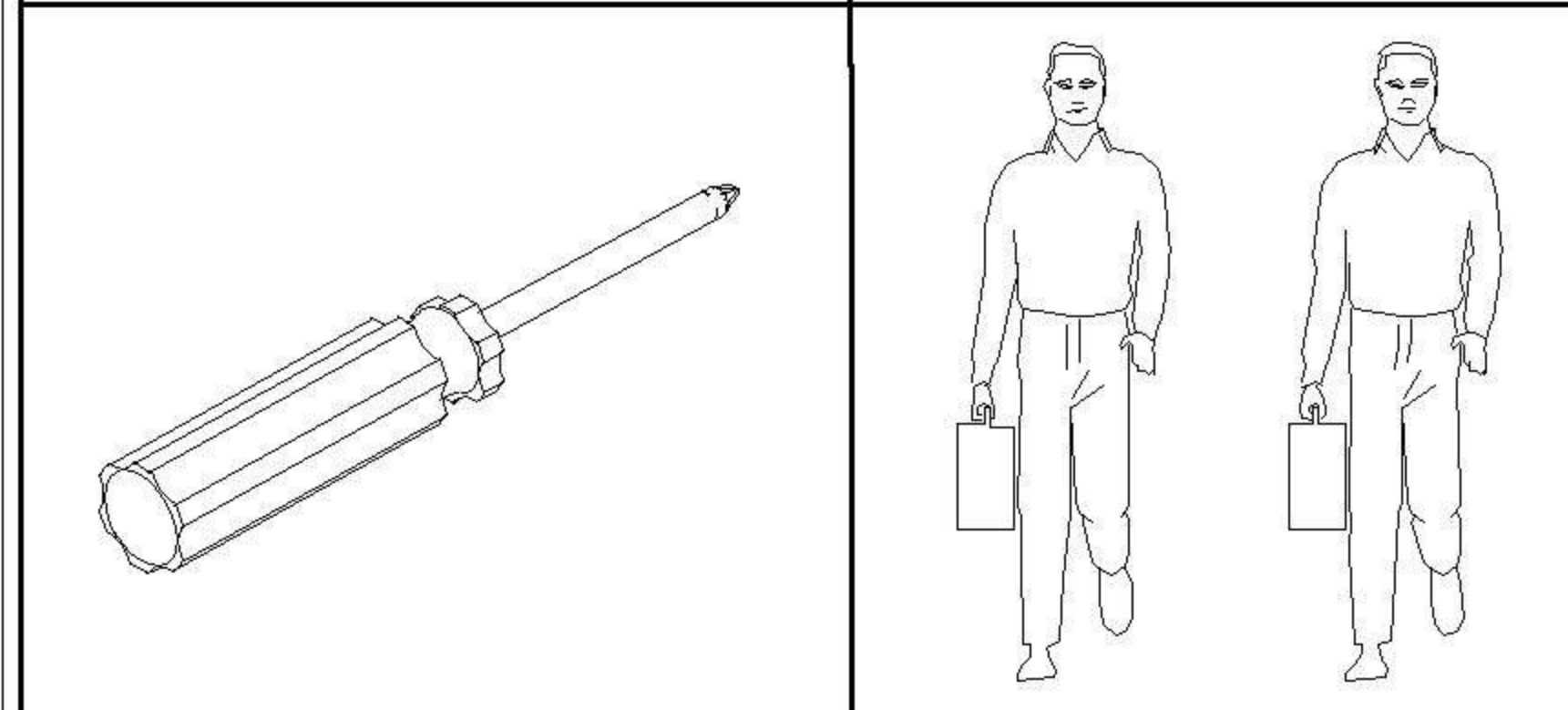


LINSY 林氏家居

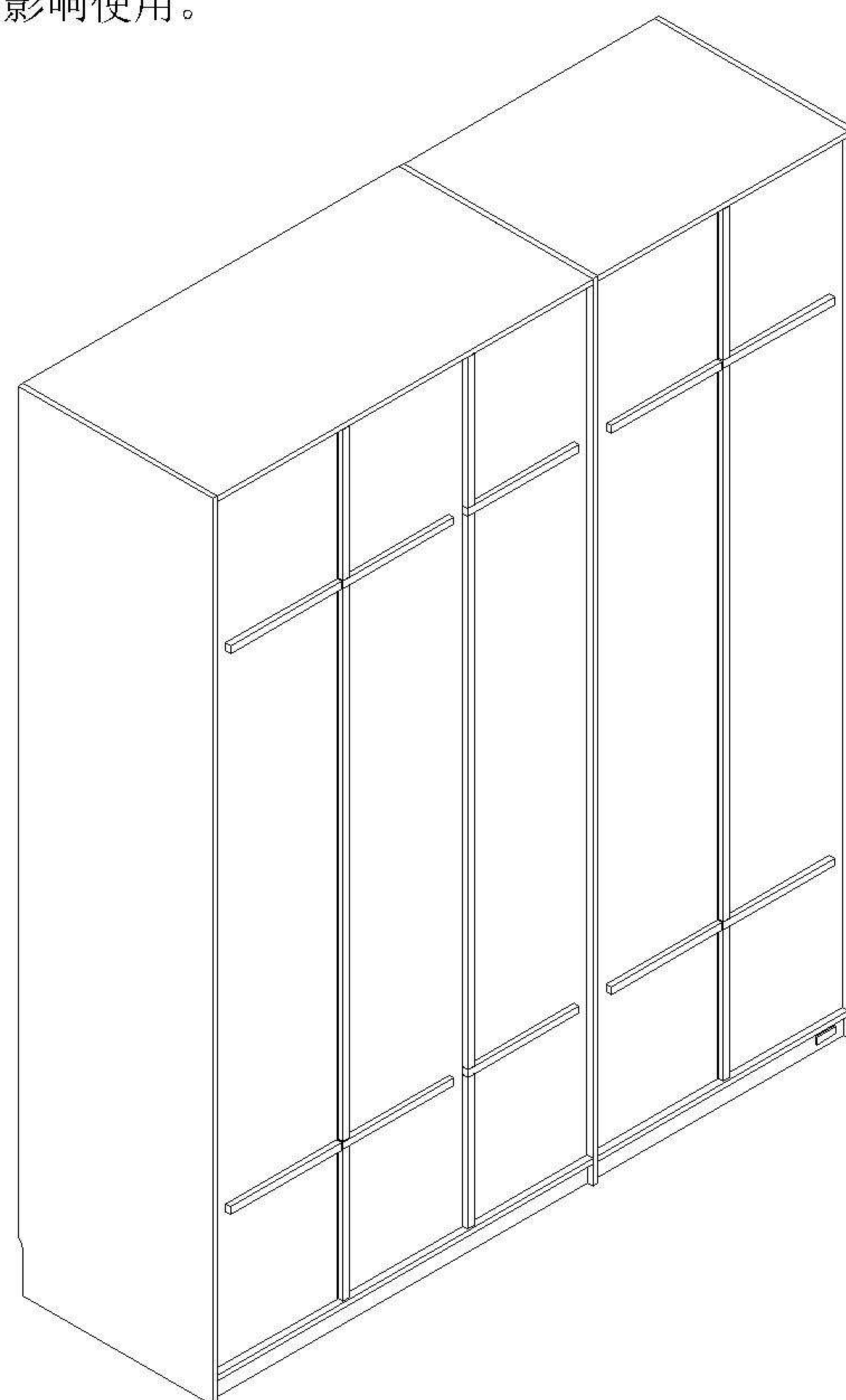
五金表/Hardware list

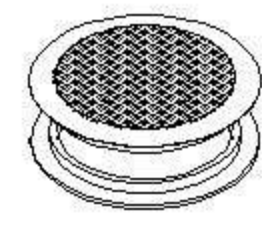
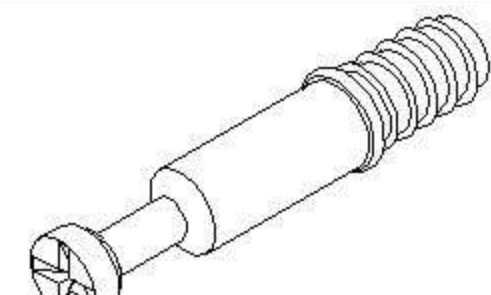
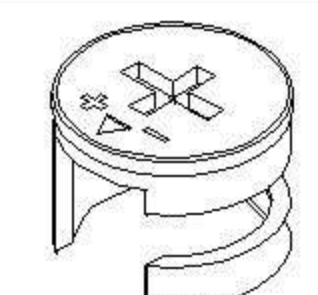
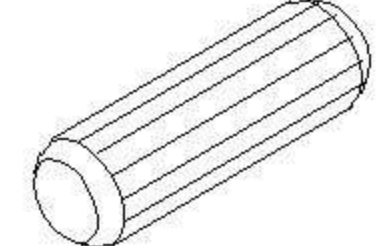
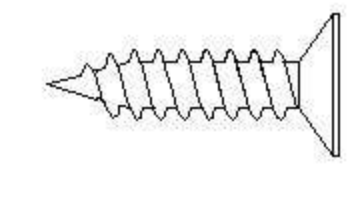
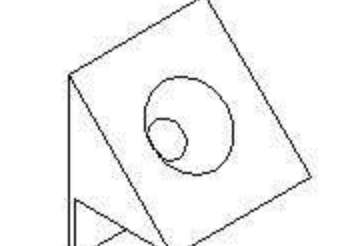
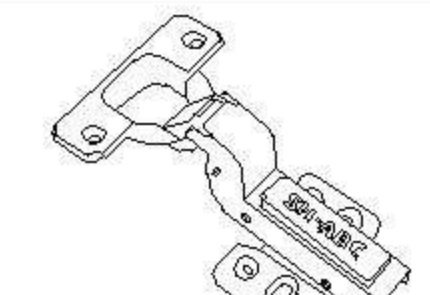
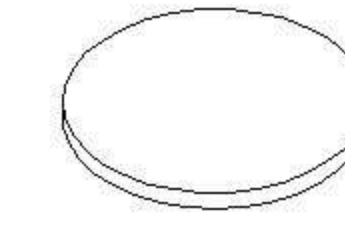
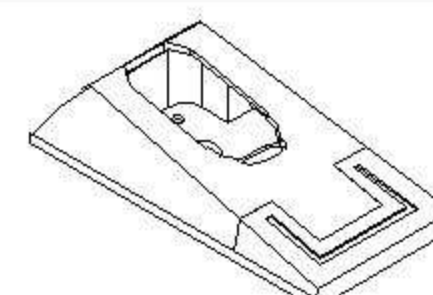
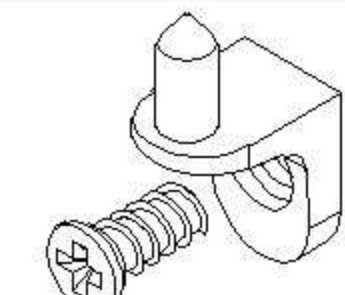
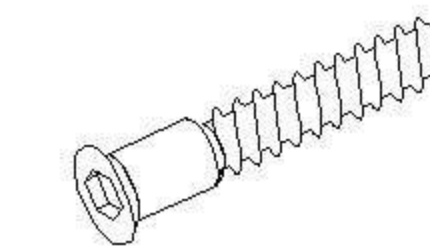
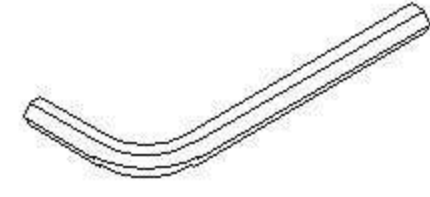
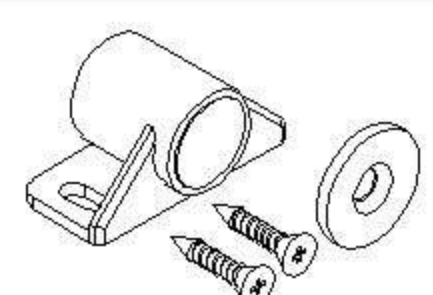
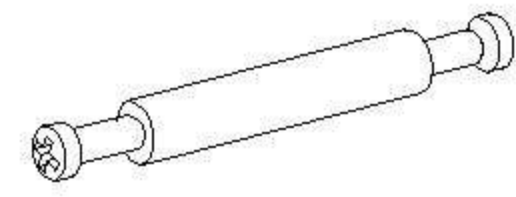
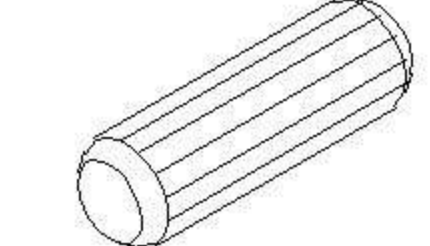
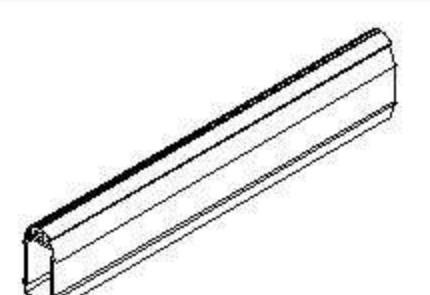
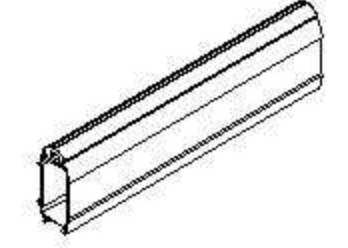
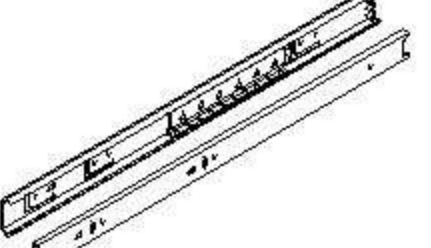
安装示意图/Assembly Instruction

产品名称 Model NO.	五门衣柜2.4m
产品型号 Product Model	YZ1D-A
尺寸规格 Specification	(1959*594*2403)mm
安装工具 Tool	安装人数 Installer



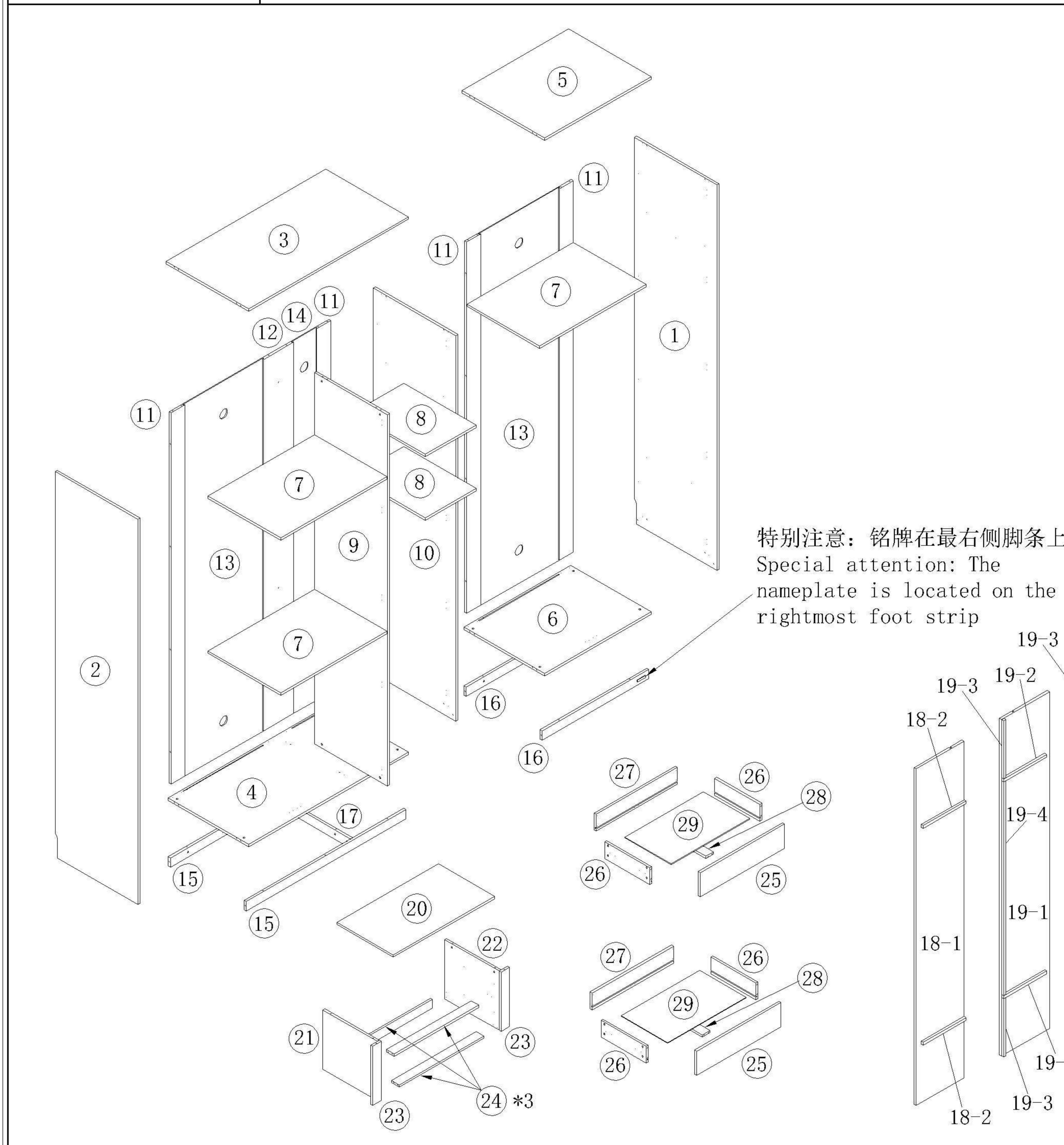
注：为保证设计效果，部分尺寸为定制尺寸，不影响使用。



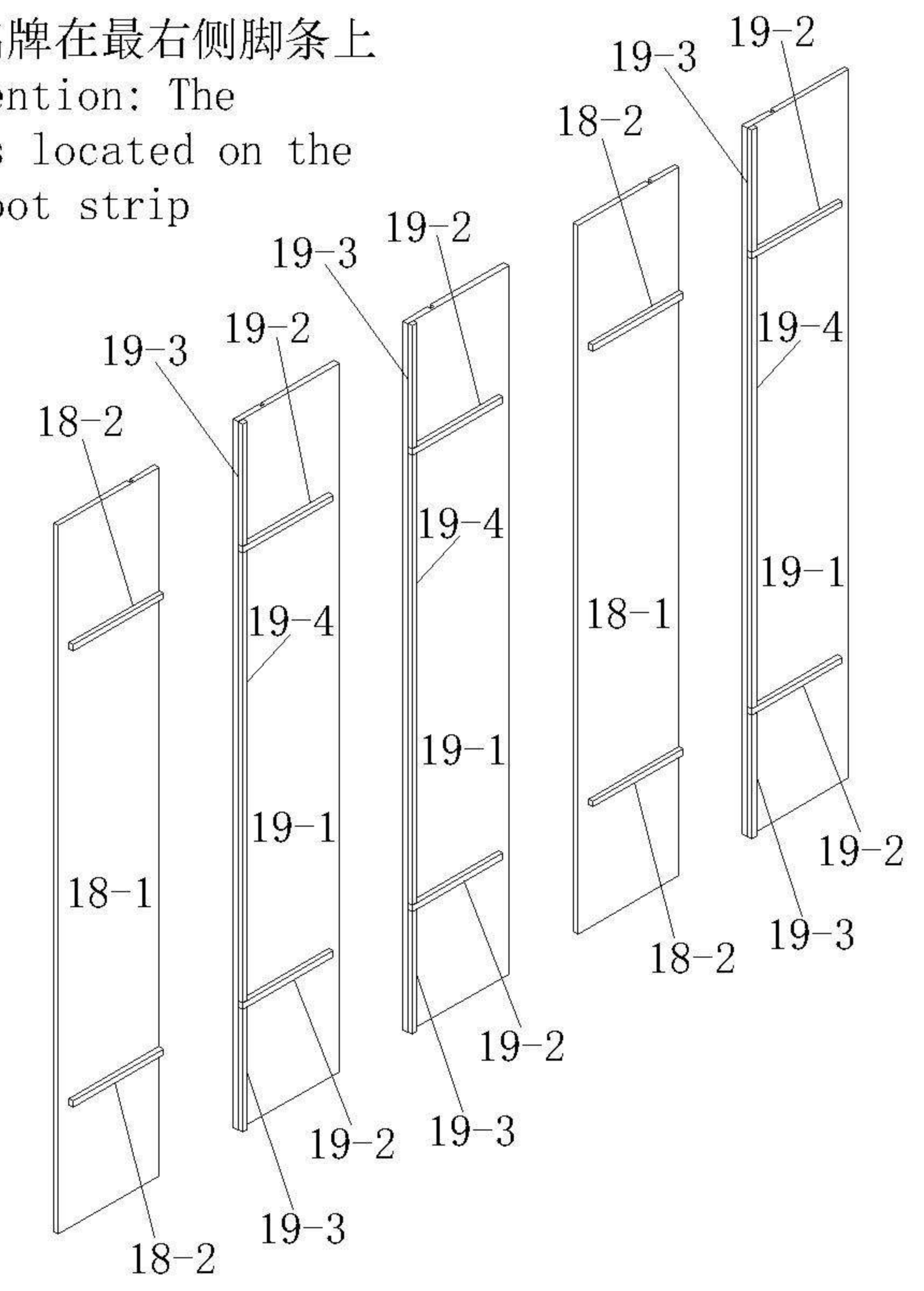
 (A)* 6 透气孔盖 Vent cover white	 (B)*103 二合一螺杆 2 in 1 screw	 (C)*120 大三合一锁饼 Three in one large lock	 (D)* 19 木榫Ø8x30mm wood tenon	 (E)* 59 自攻螺丝M3.5x14mm Self tapping screw	 (F)* 17 背板扣 Back Plate Buckle White	 (G)* 25 缓冲门铰大弯-Ø35 Hinge-big bends	 (H)* 18 脚垫 Footrest
 (I)* 8 挂衣杆托 Clothes hanger	 (J)* 24 层板托 shelf support	 (K)* 4 过山丝-M7x38mm Self-tapping screw galvanized	 (L)* 1 内六角扳手4mm spanner-(4mm) hex	 (M)* 4 古铜色消音磁碰 magnetic catch	 (N)*8 双头三合一螺杆 Double head 3-in-1 screw	 (O)* 6 木榫Ø8x50mm wood tenon	 (P)* 3 挂衣杆-L=758mm Clothes hanging rod
 (Q)* 1 挂衣杆-L=359mm Clothes hanging rod	 (R)* 2 三节滚珠导轨-12" three-section ball rail						

警告：门板与柜体有设计所需的开启间隙，小心夹伤
Warning: The door panel and the cabinet have the opening gap required by the design, beware of clamping

YZ1D-A 五门衣柜2.4m	部件表/Parts List					部件表/Parts List				
安装方法/ Installation method	编号NO.	名称Name	规格 (mm) Specification	数量 QTY	材质Material	编号NO.	名称Name	规格 (mm) Specification	数量 QTY	材质Material
	⑳	附柜上层板Upper panel of attached cabinet	765*126*15	1	刨花板 Particle board	①	右侧板Side board(R)	2400*594*15	1	刨花板 Particle board
	㉑	附柜左侧板Left side panel of the attached cabinet	410*386*15	1	刨花板 Particle board	②	左侧板Side board(L)	2400*594*15	1	刨花板 Particle board
	㉒	附柜右侧板Right side panel of the attached cabinet	410*386*15	1	刨花板 Particle board	③	左顶板Top board(L)	1148*594*15	1	刨花板 Particle board
	㉓	侧柱Jamb	386*63*15	2	刨花板 Particle board	④	左底板Bottom board(L)	1148*579*15	1	刨花板 Particle board
	㉔	拉条Brace	638*58*15	3	刨花板 Particle board	⑤	右顶板Top board(R)	766*594*15	1	刨花板 Particle board
	㉕	抽屉面板Drawer panel	634*158*15	2	刨花板 Particle board	⑥	右底板Bottom board(R)	766*579*15	1	刨花板 Particle board
	㉖	抽屉侧板Drawer side panel	340*110*15	4	刨花板 Particle board	⑦	长活动层板Long movable shelf	765*522*15	3	刨花板 Particle board
	㉗	抽屉后板Drawer back panel	612*110*15	2	刨花板 Particle board	⑧	短活动层板Short movable shelf	366*522*15	2	刨花板 Particle board
	㉘	抽屉底托条Drawer bottom support strip	340*58*15	2	刨花板 Particle board	⑨	左中侧板Middle side board(L)	2312*524*15	1	刨花板 Particle board
	㉙	抽屉底板Drawer bottom plate	592*350*5	2	纤维板 Fiberboard	⑩	右中侧板Middle side board(R)	2400*594*15	1	刨花板 Particle board
						⑪	边背拉条Side back brace	2312*101*15	4	刨花板 Particle board
						⑫	长拉条Long brace	2312*218*15	1	刨花板 Particle board
						⑬	背板Back board	2322*575*5	2	纤维板 Fiberboard
						⑭	小背板Small back board	2322*176*5	1	纤维板 Fiberboard
						⑮	长脚条Long foot strip	1148*58*15	2	刨花板 Particle board
						⑯	短脚条Short foot strip	766*58*15	2	刨花板 Particle board
						⑰	中脚条Middle foot strip	531*58*15	1	刨花板 Particle board
						⑱	左门板组立Door board assembly(L)	2306*380*33	2	刨花板+白蜡木 Particle board+Ash
						18-1	左门板Door board (L)	2306*380*18	2	刨花板 Particle board
						18-2	门板装饰条1 Door panel decorative strip 1	340*15*20	4	白蜡木 Ash
						⑲	右门板组立Door board assembly(R)	2306*380*33	3	刨花板+白蜡木 Particle board+Ash
						19-1	右门板Door board (R)	2306*380*18	3	刨花板 Particle board
						19-2	门板装饰条1 Door panel decorative strip 1	340*15*20	6	白蜡木 Ash
						19-3	门板装饰条2 Door panel decorative strip 2	400*15*20	6	白蜡木 Ash
						19-4	门板装饰条3 Door panel decorative strip 3	1463*15*20	3	白蜡木 Ash

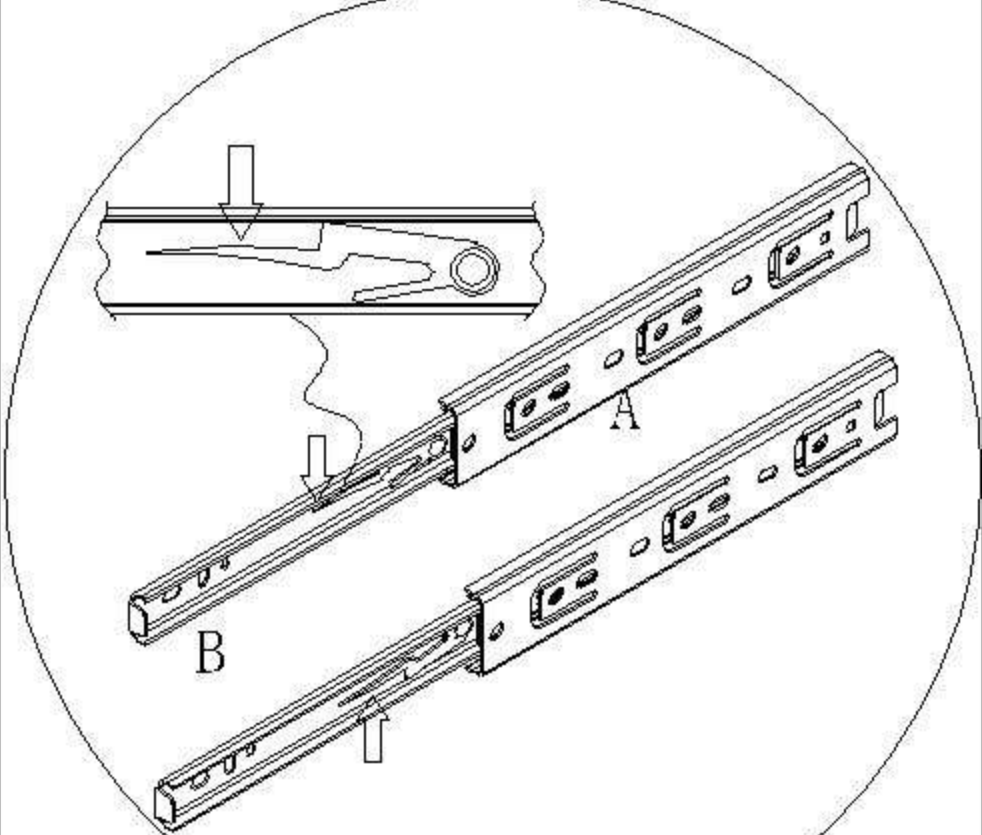


编号NO.	名称Name	编号NO.	
②⑩	附柜上层板Upper panel of attached cabinet	①	右侧板Side board (R)
②⑪	附柜左侧板Left side panel of the attached cabinet	②	左侧板Side board (L)
②⑫	附柜右侧板Right side panel of the attached cabinet	③	左顶板Top board (L)
②⑬	侧柱Jamb	④	左底板Bottom board (L)
②⑭	拉条Brace	⑤	右顶板Top board (R)
②⑮	抽屉面板Drawer panel	⑥	右底板Bottom board (R)
②⑯	抽屉侧板Drawer side panel	⑦	长活动层板Long movable shelf
②⑰	抽屉后板Drawer back panel	⑧	短活动层板Short movable shelf
②⑱	抽屉底托条Drawer bottom support strip	⑨	左中侧板Middle side board (L)
②⑲	抽屉底板Drawer bottom plate	⑩	右中侧板Middle side board (R)
		⑪	边背拉条Side back brace
		⑫	长拉条Long brace
		⑬	背板Back board
		⑭	小背板Small back board
		⑮	长脚条Long foot strip
		⑯	短脚条Short foot strip
		⑰	中脚条Middle foot strip
		⑱	左门板组立Door board assembly (L)
		18-1	左门板Door board (L)
		18-2	门板装饰条1 Door panel decorative strip 1
		⑲	右门板组立Door board assembly (R)
		19-1	右门板Door board (R)
		19-2	门板装饰条1 Door panel decorative strip 1
		19-3	门板装饰条2 Door panel decorative strip 2
		19-4	门板装饰条3 Door panel decorative strip 3

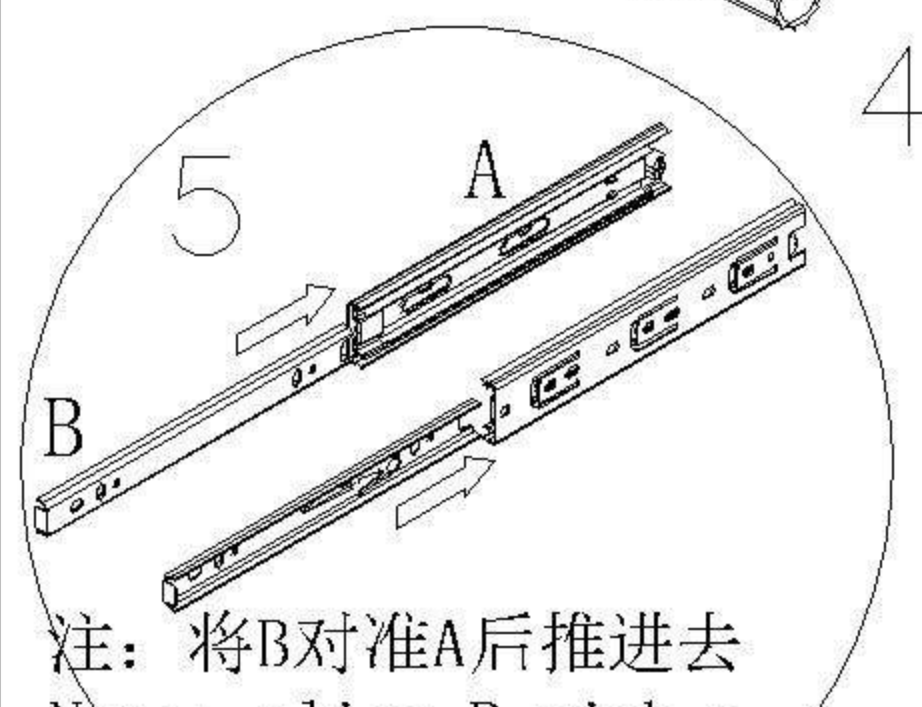
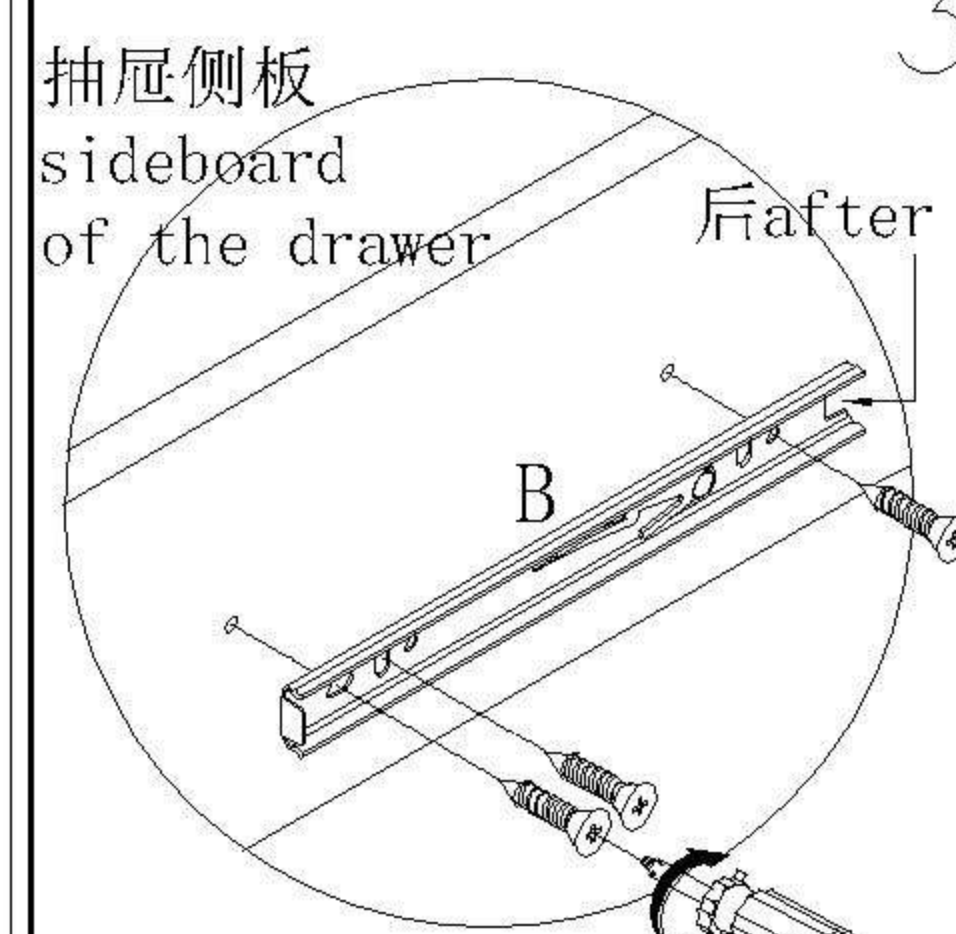
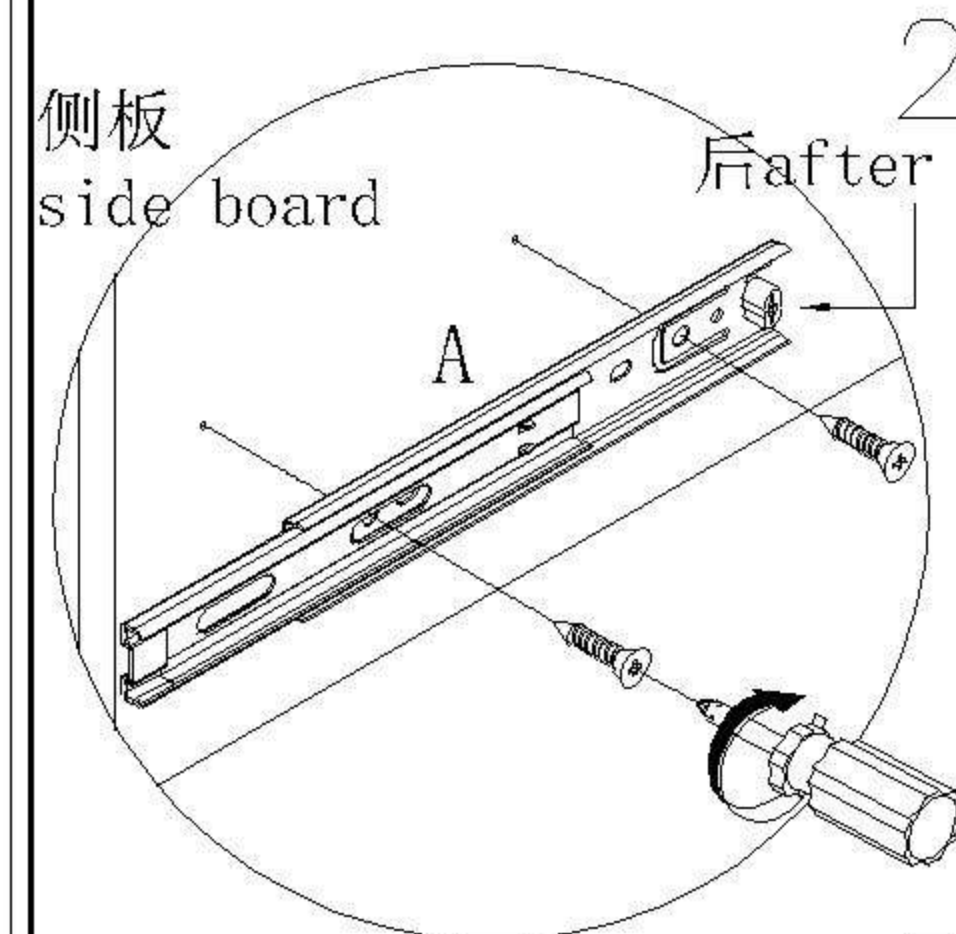


安装方法/
Installation method

阀门开关(下压为开)
Valve switch
(press down to open)

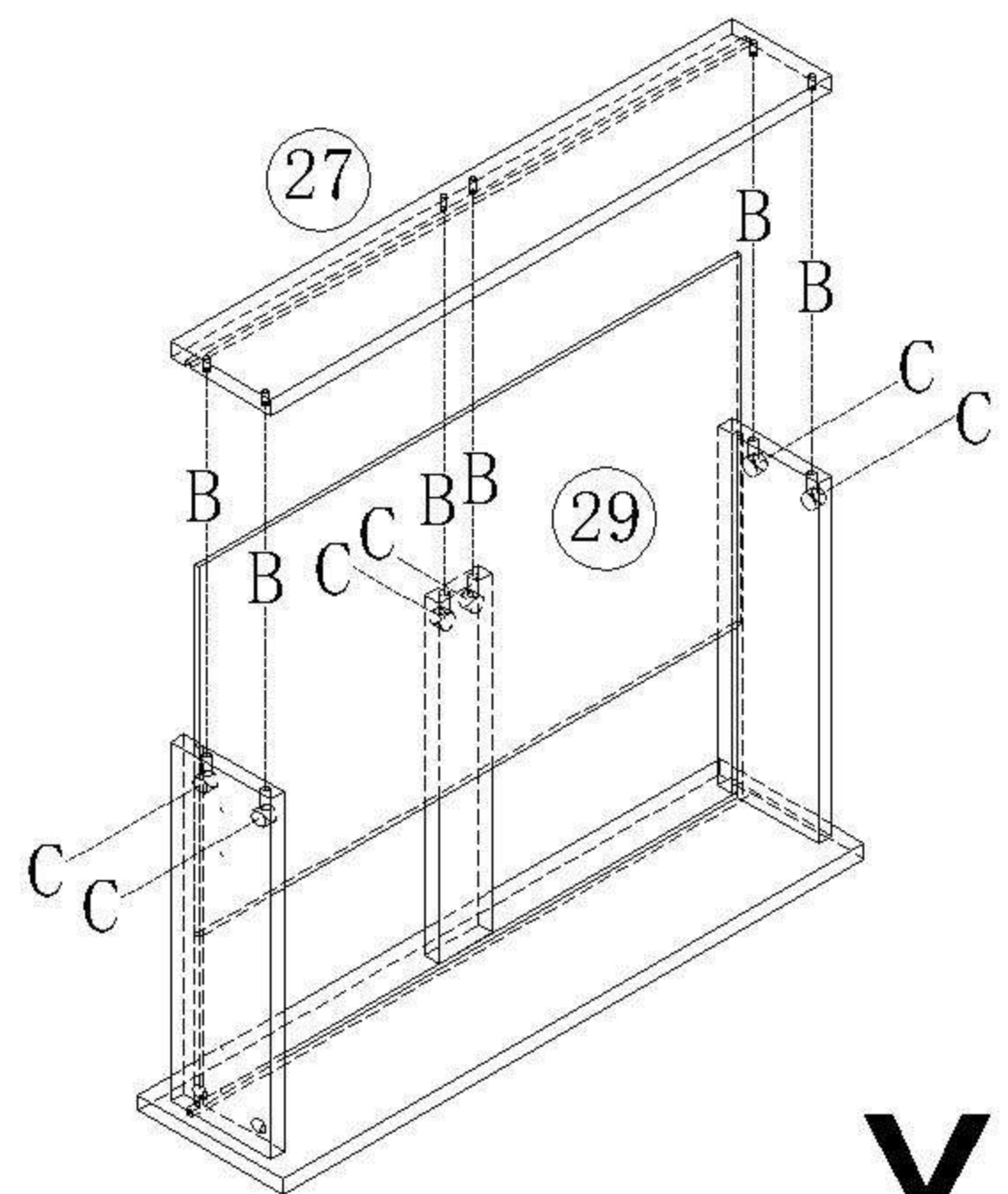
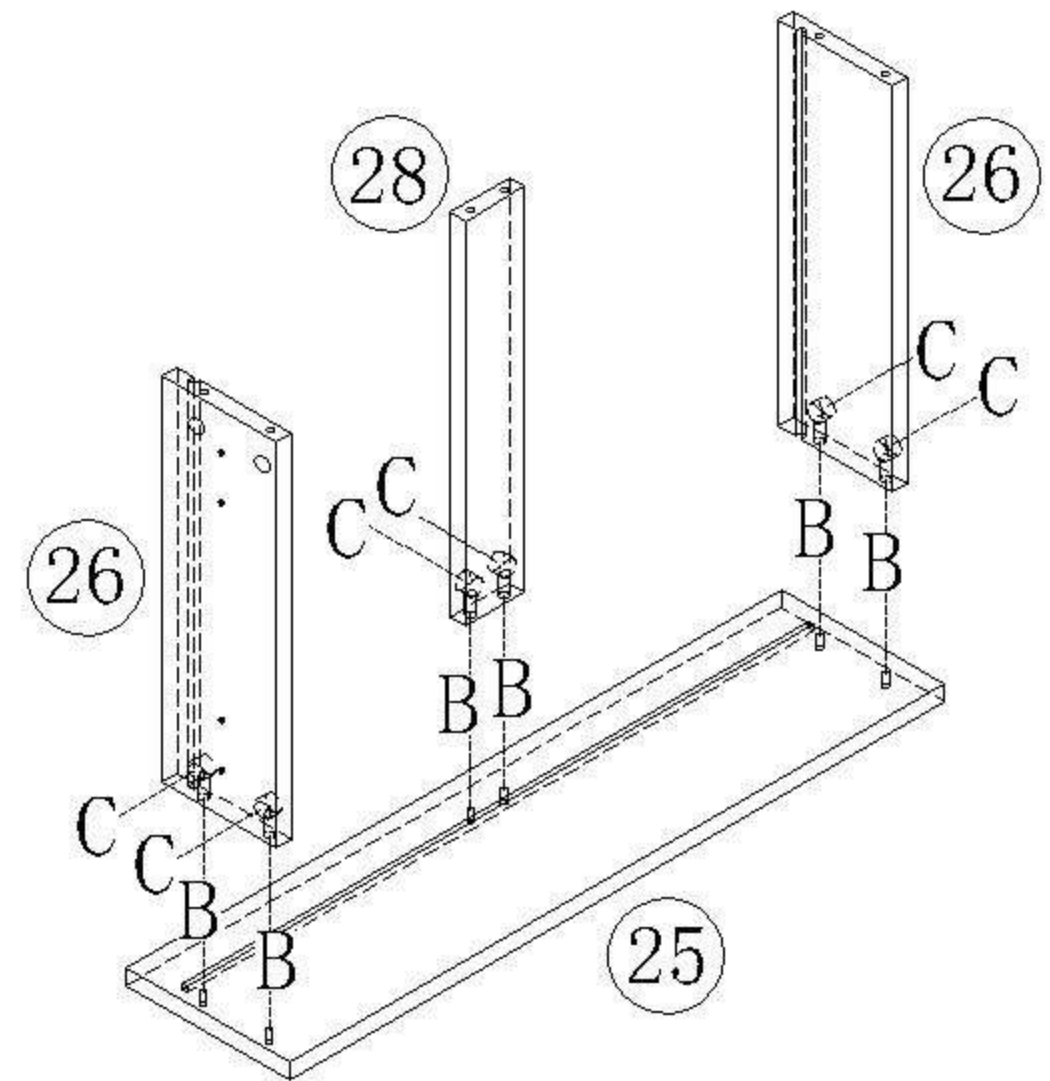


注: 先将A与B拆下来
Note: remove a and B first



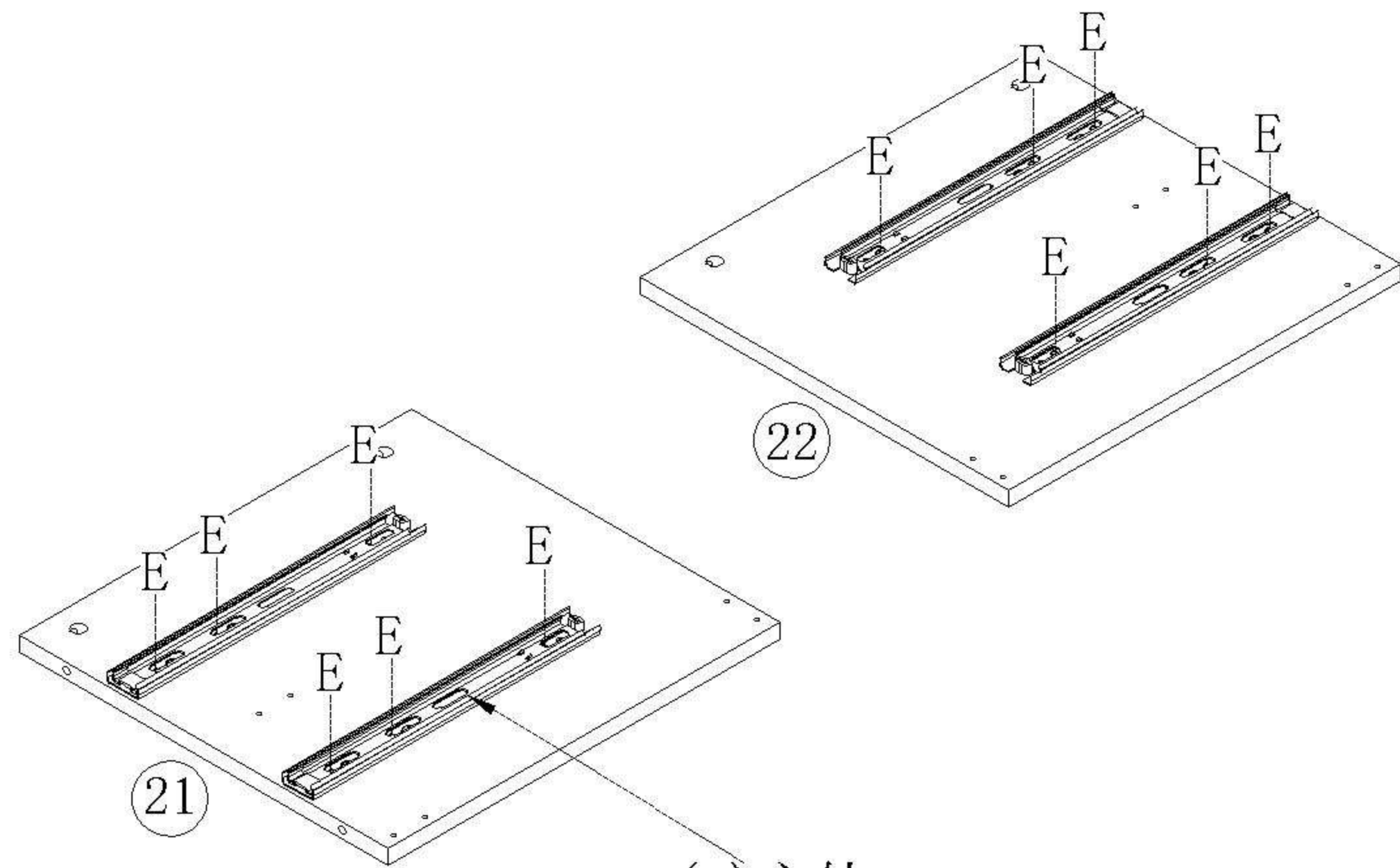
注: 将B对准A后推进去
Note: align B with a and push it in
三节滚珠导轨
three-section ball rail

- (B)*24
- (C)*24



X2

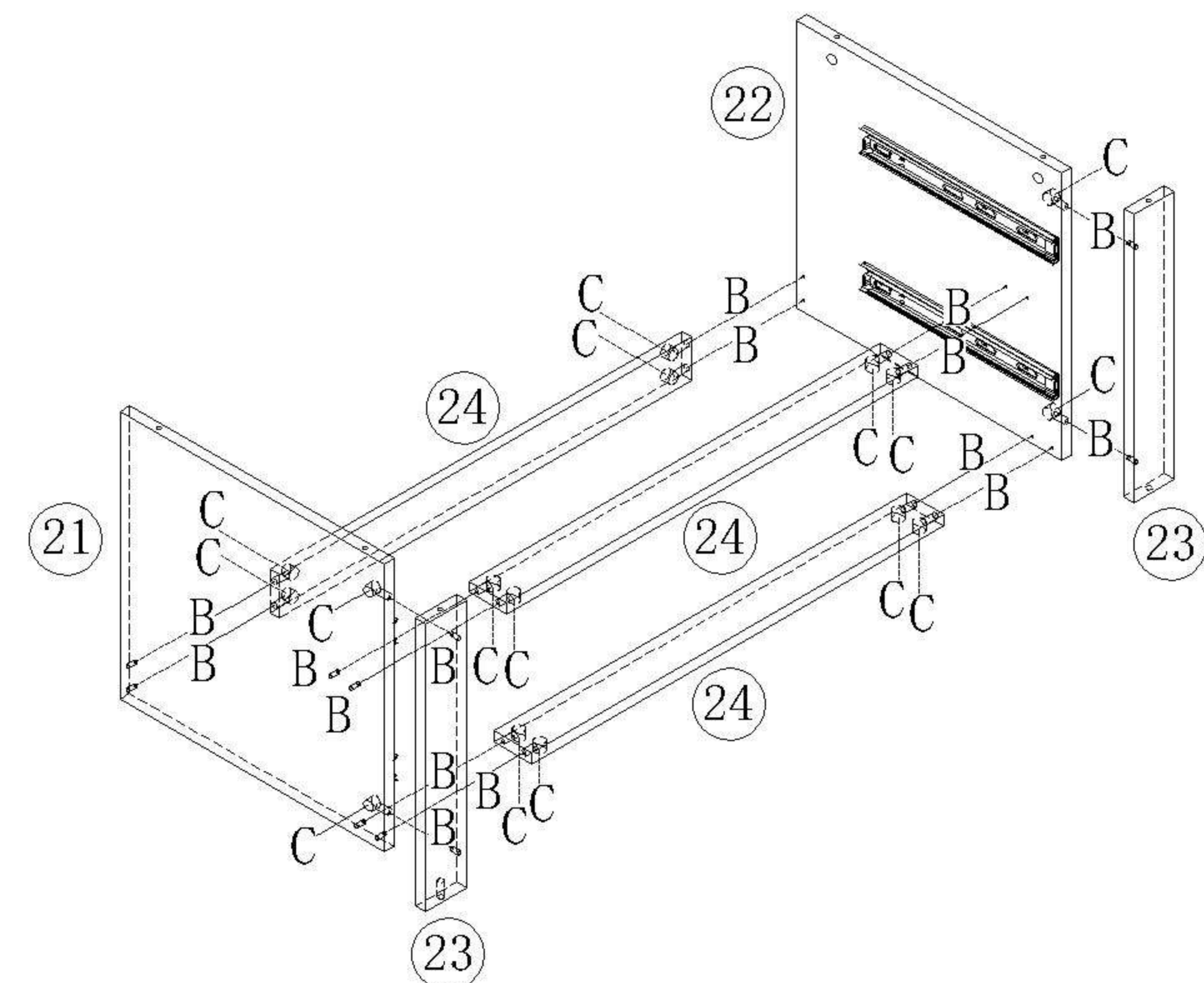
- (E)*12
- (R)*2



(R) 主轨
Main rail

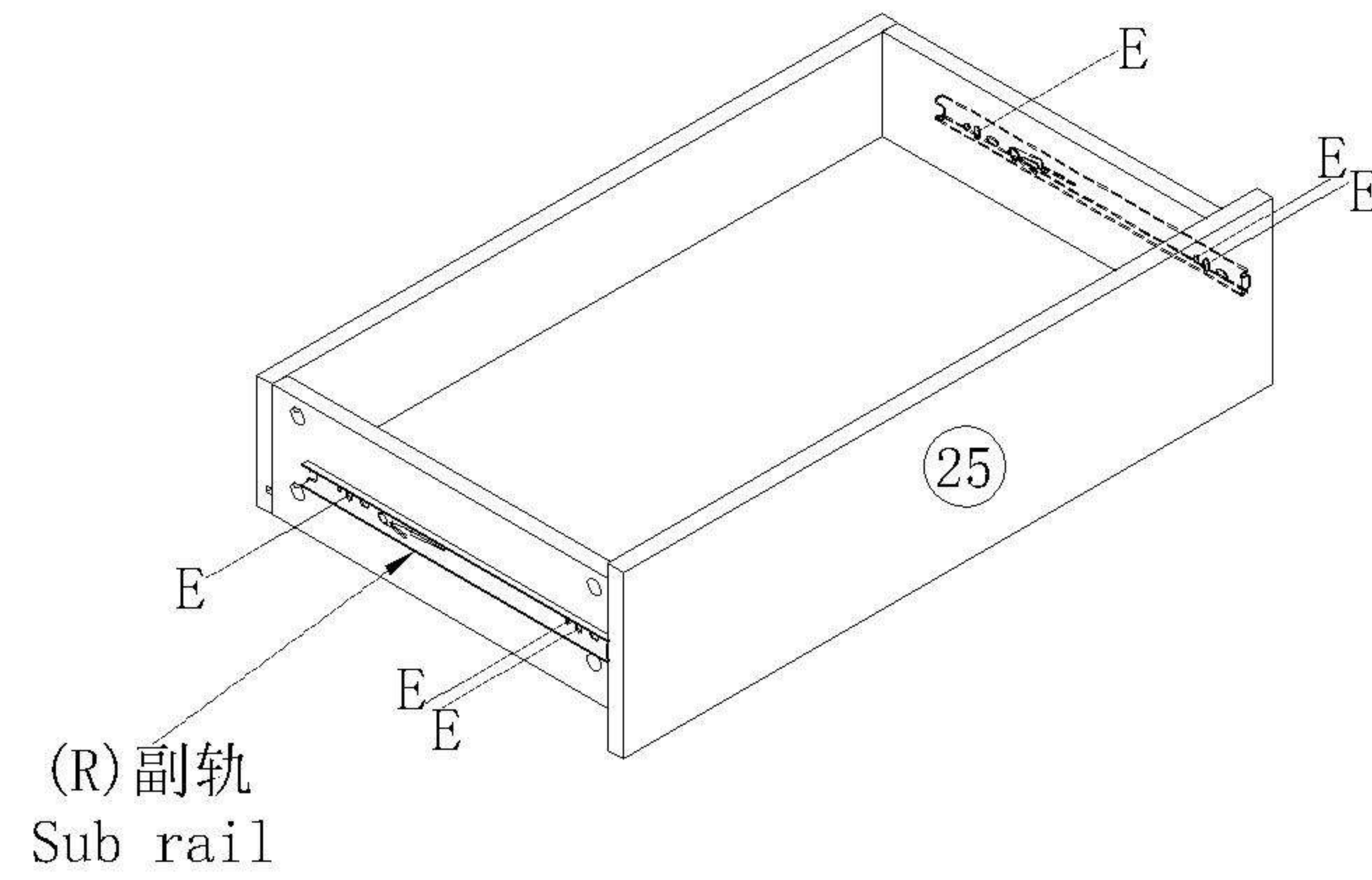
3

- (B)*16
- (C)*16



1

- (E)*12
- (R)*2



(R) 副轨
Sub rail

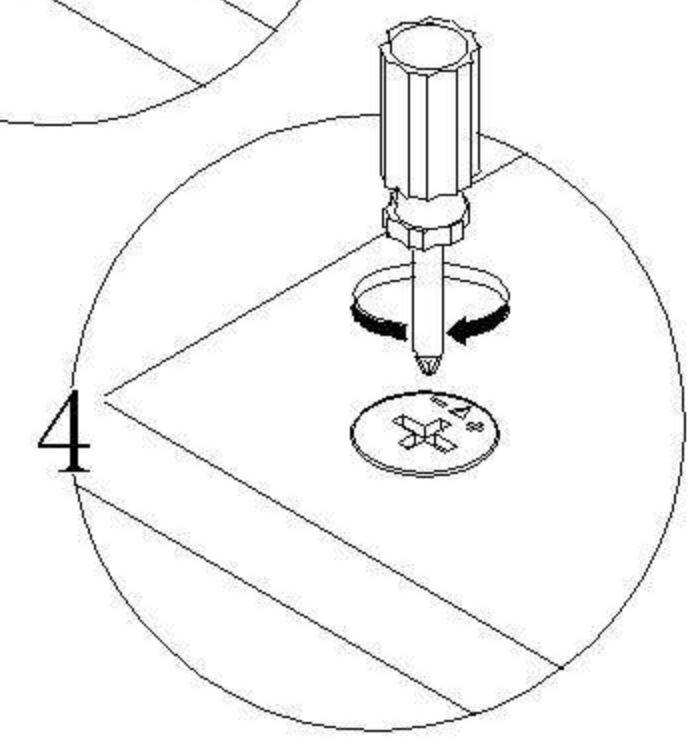
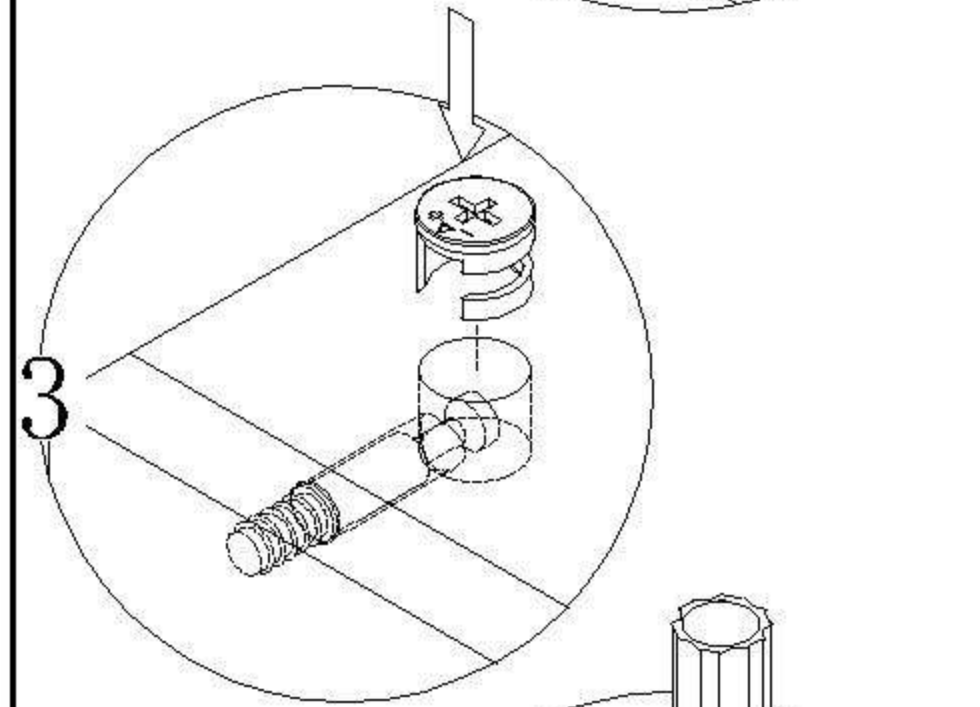
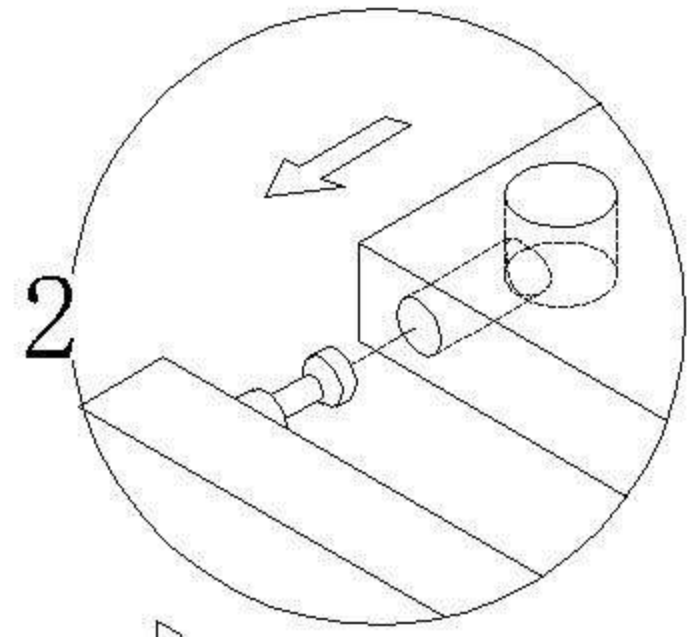
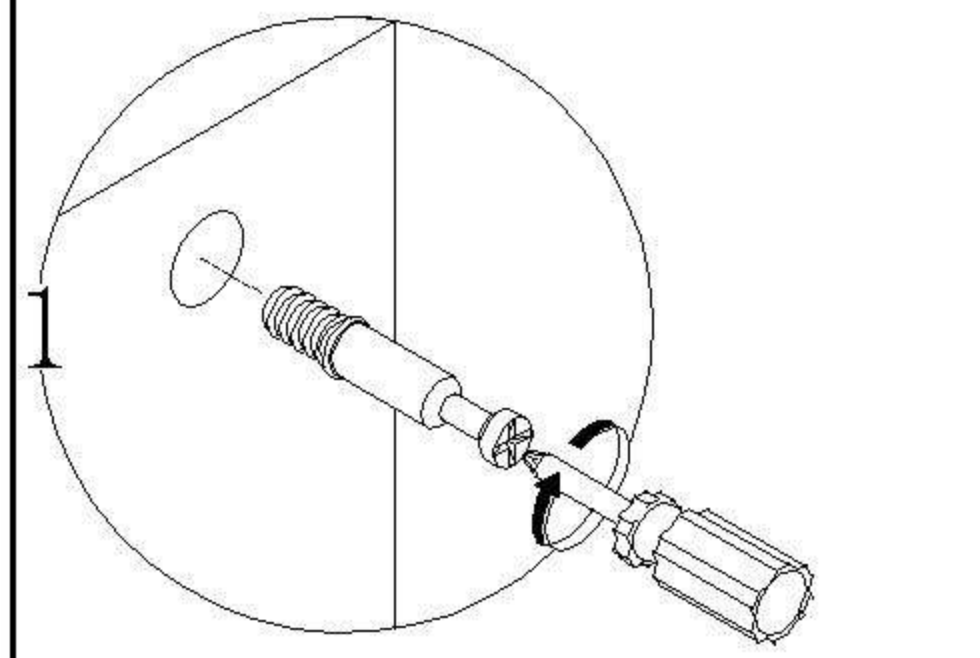
X2

4

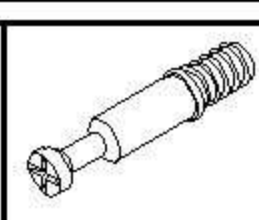
2

YZ1D-A 五门衣柜2.4m

安装方法/
Installation method



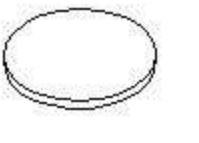
大二合一
two-in-one



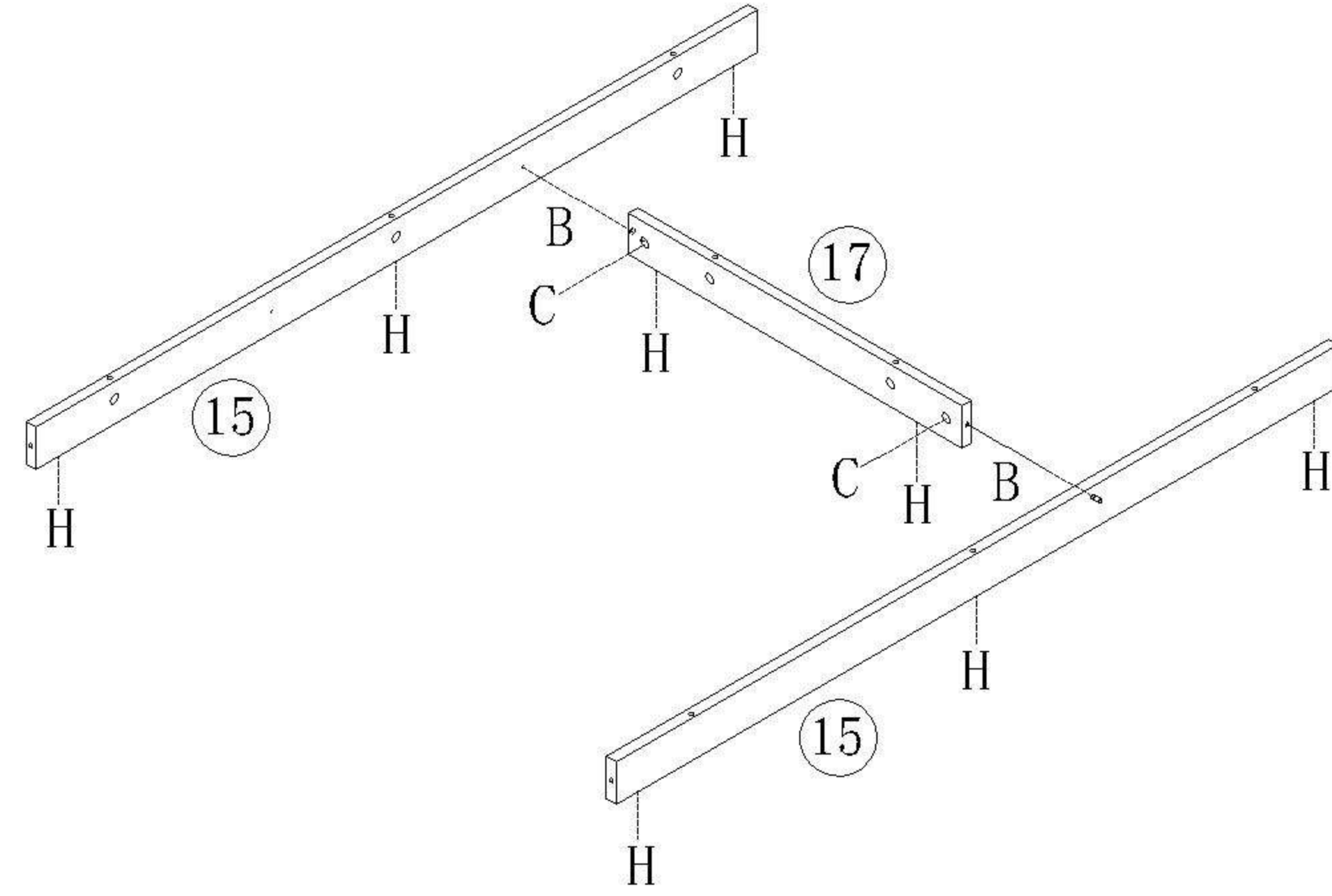
(B)*2



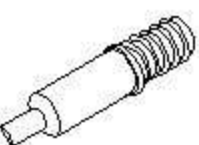
(C)*2



(H)*8



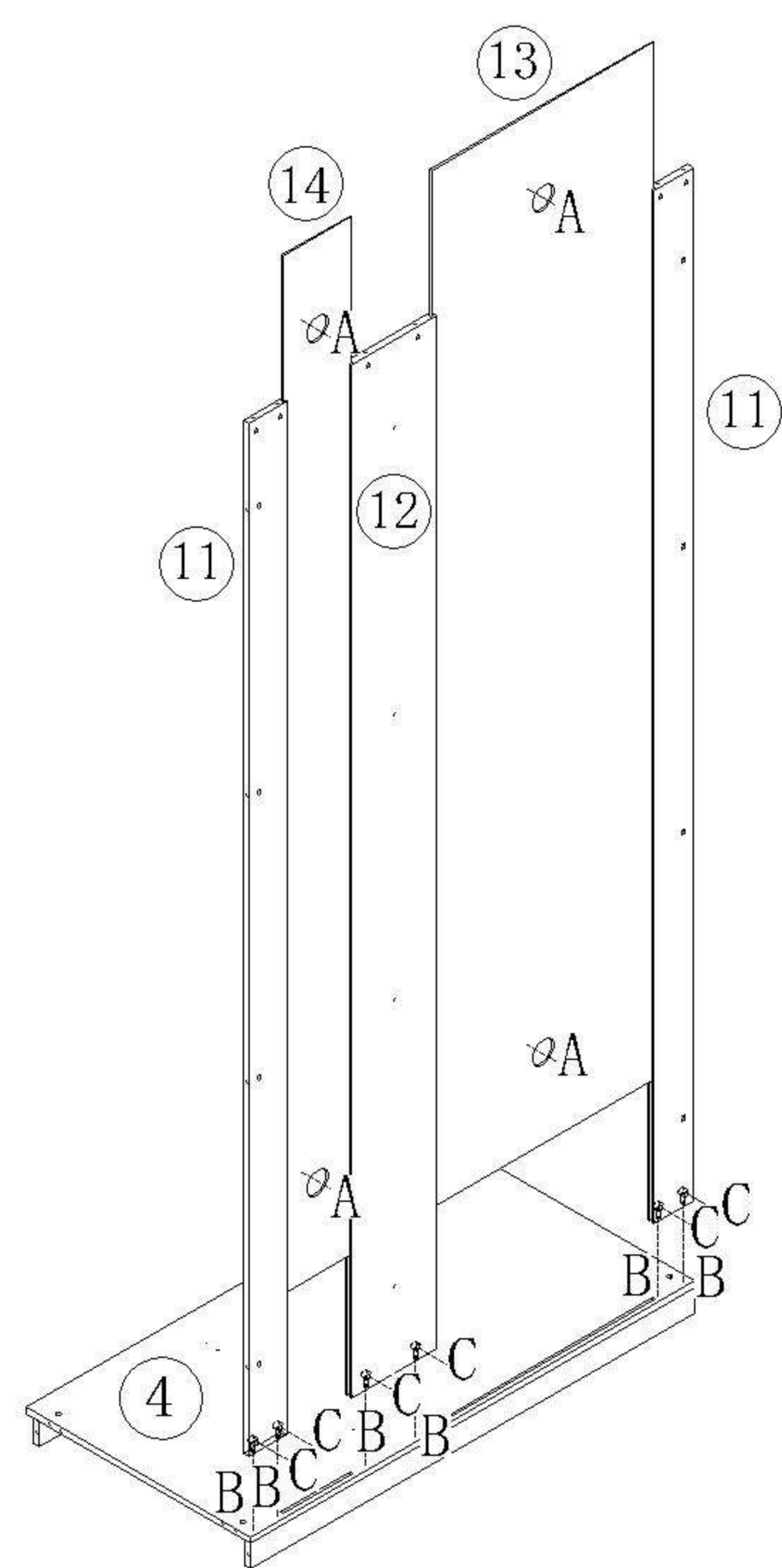
(A)*4



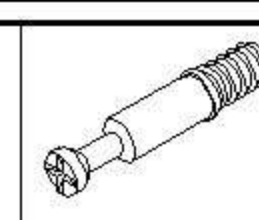
(B)*6



(C)*6



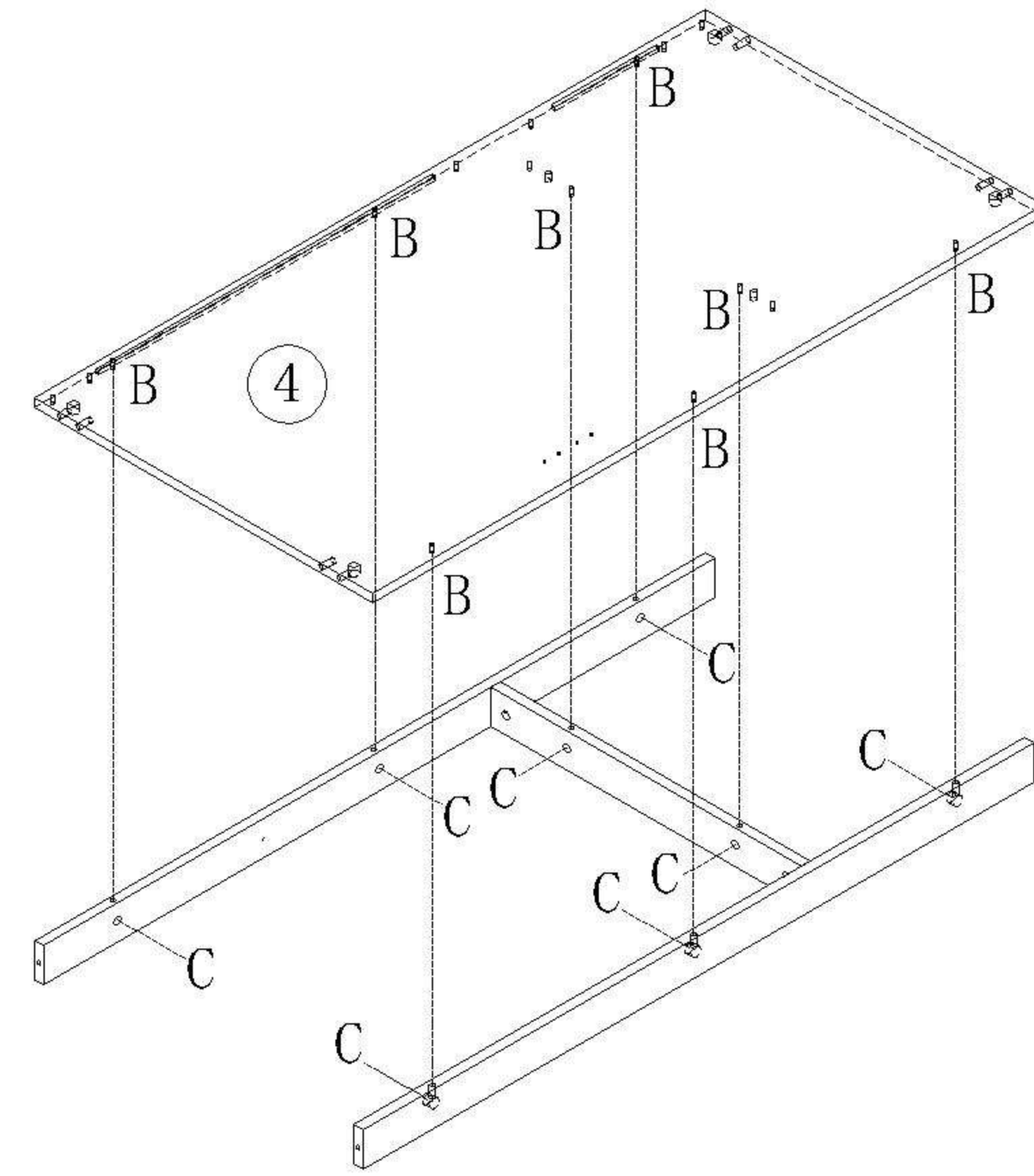
5



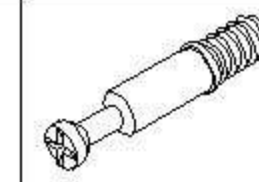
(B)*8



(C)*8



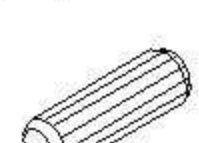
7



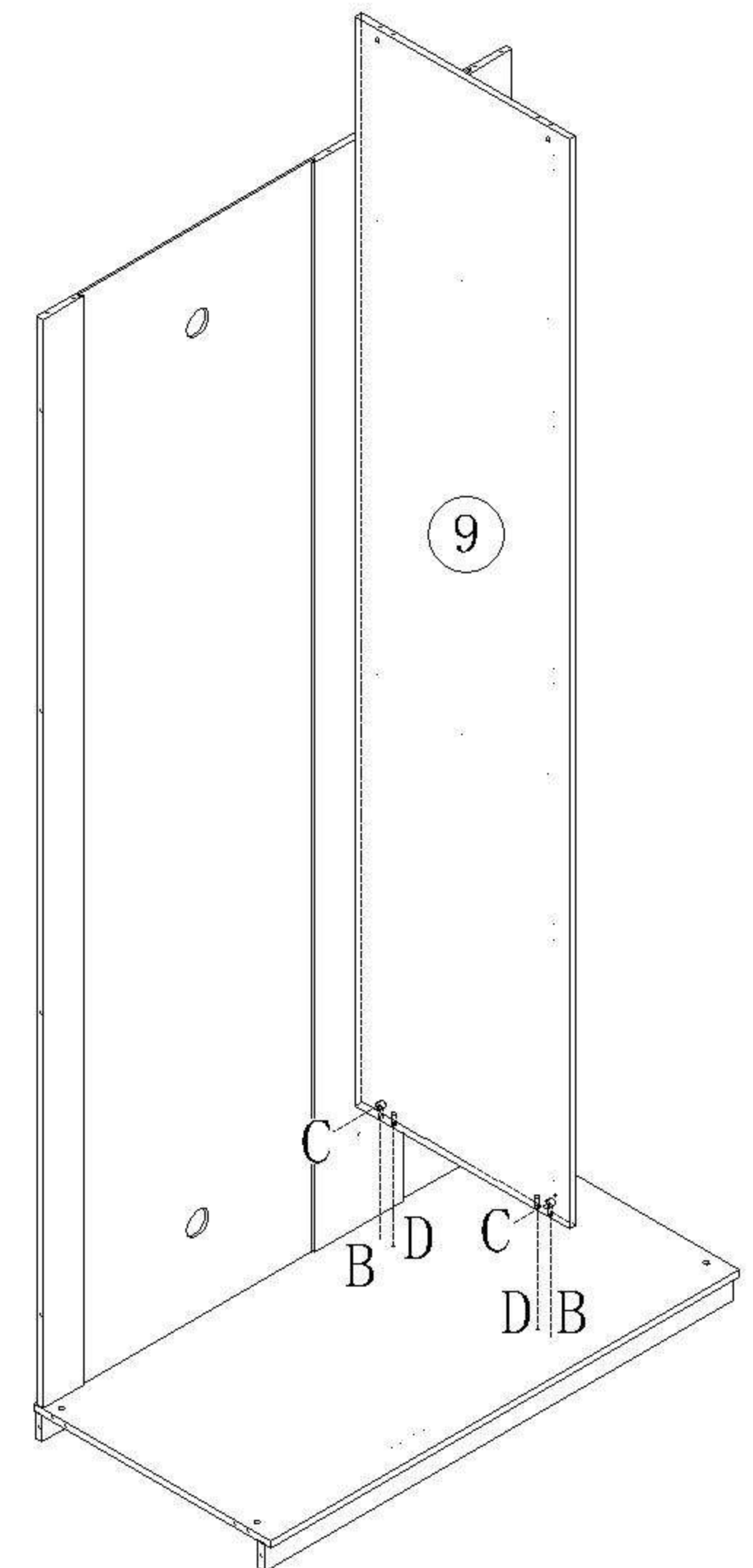
(B)*2



(C)*2



(D)*2

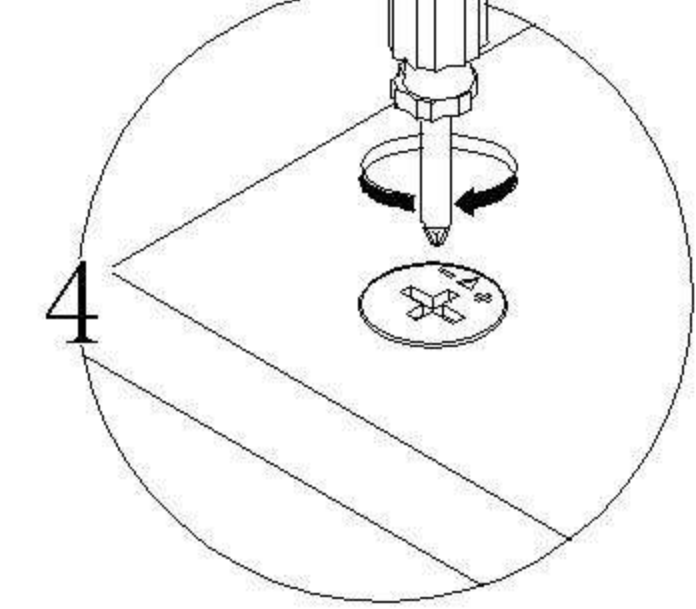
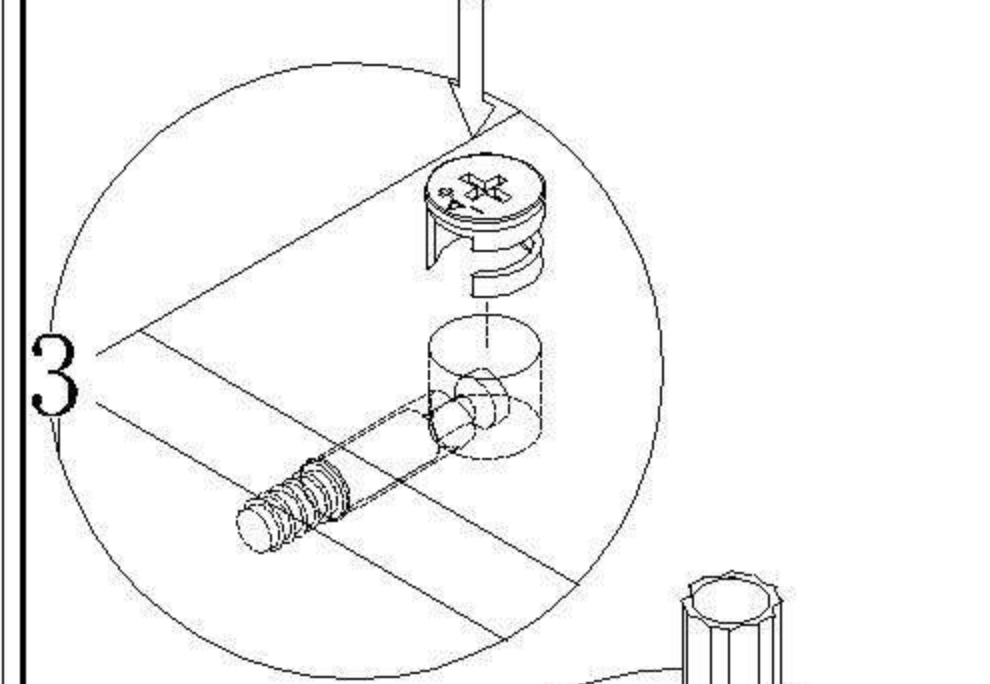
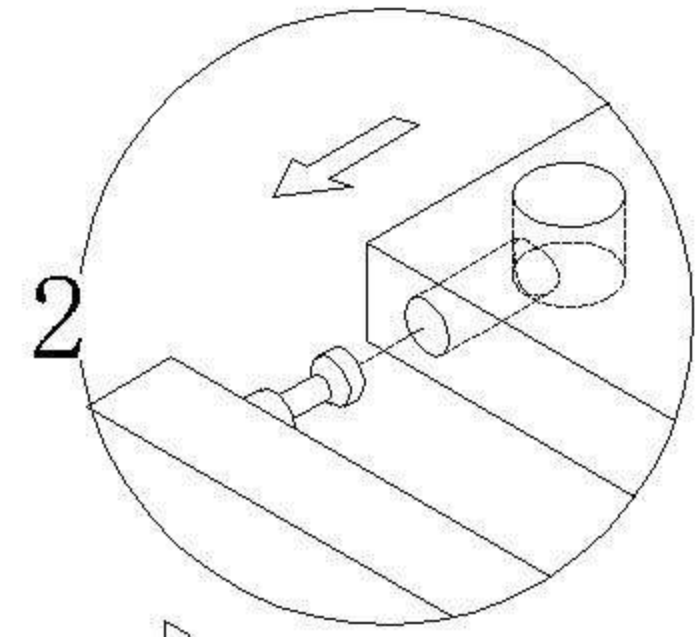
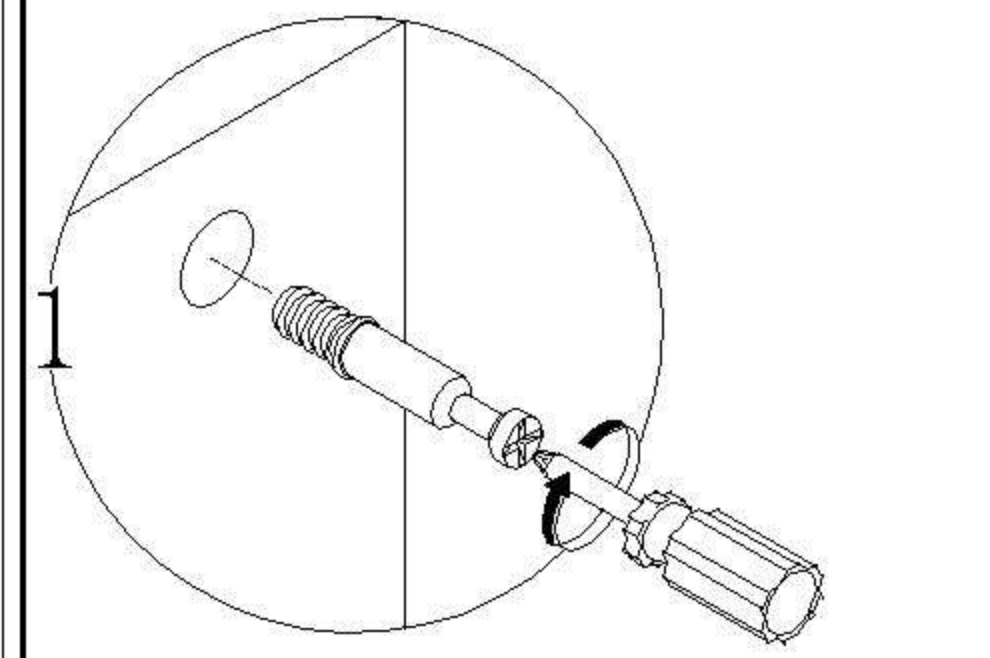


6

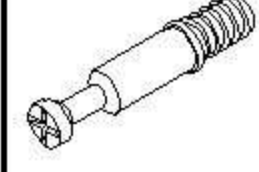
8

YZ1D-A 五门衣柜2.4m

安装方法/
Installation method



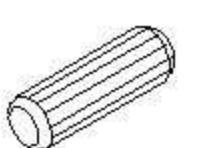
大二合一
two-in-one



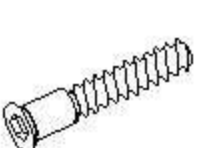
(B)*8



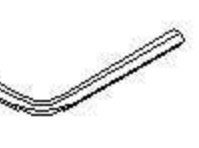
(C)*8



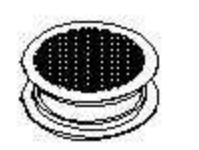
(D)*2



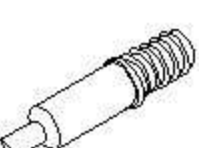
(K)*4



(L)*1



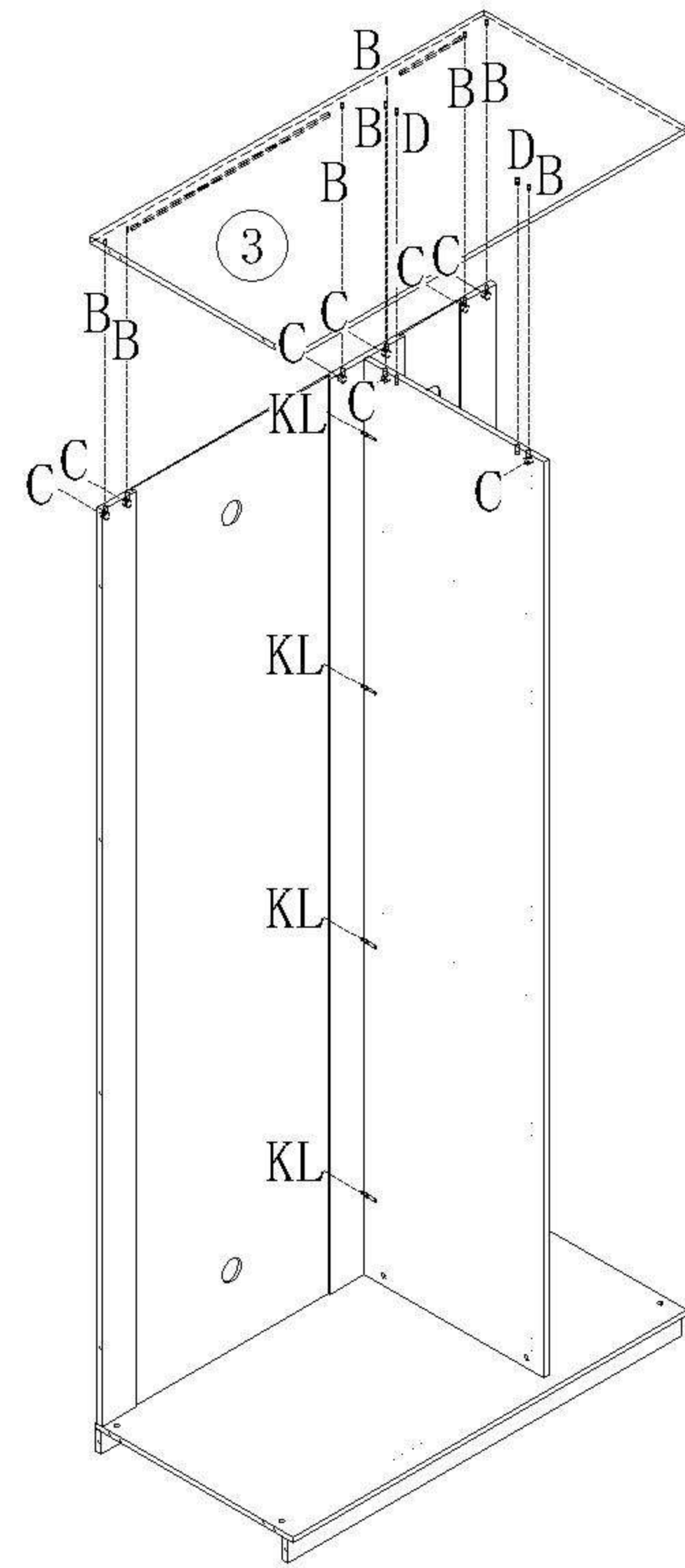
(A)*2



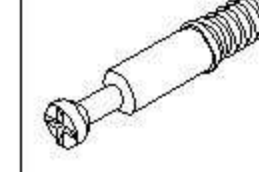
(B)*4



(C)*4



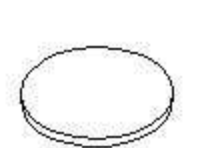
9



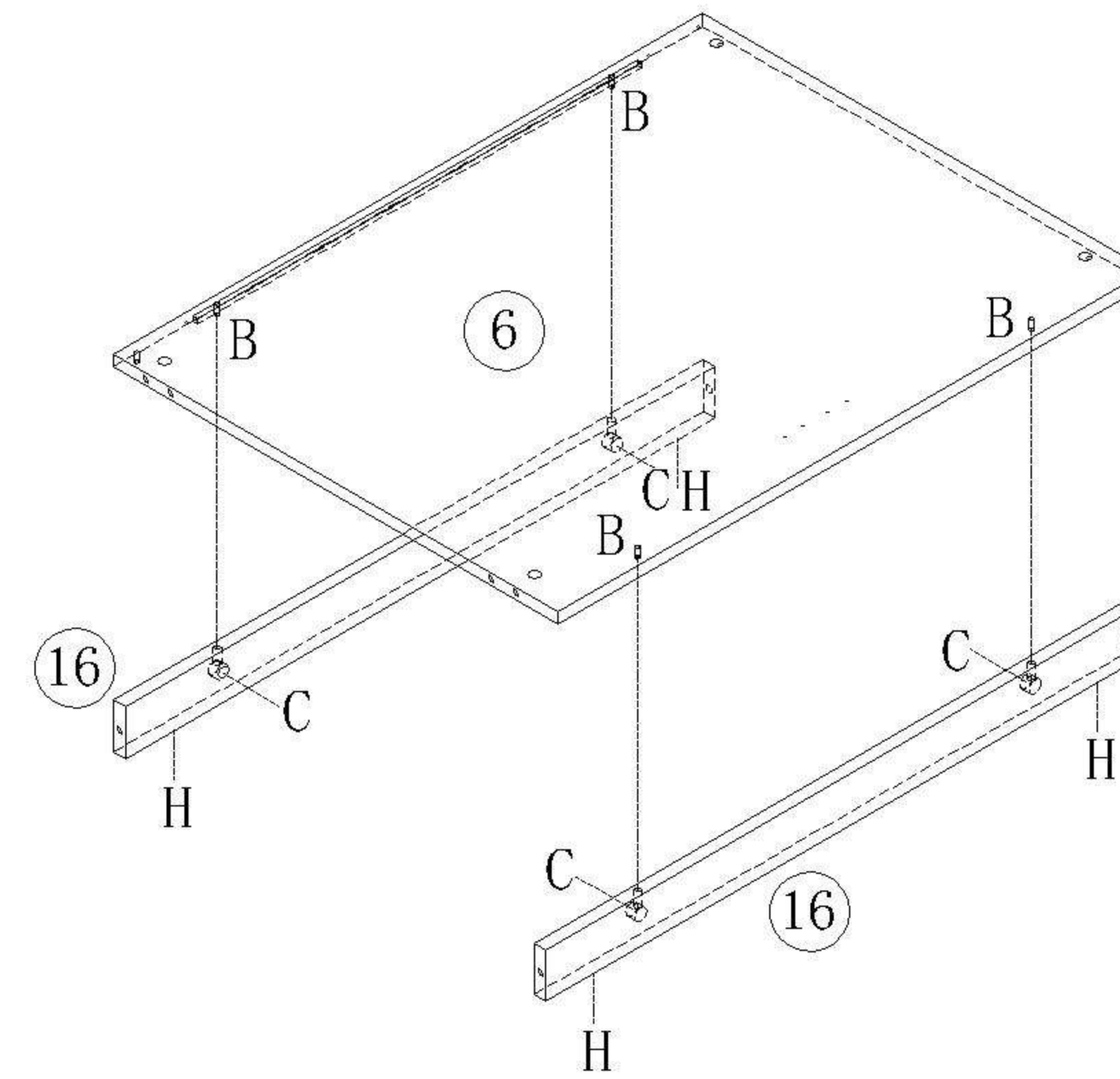
(B)*4



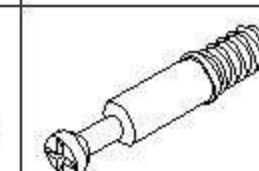
(C)*4



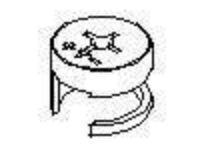
(H)*4



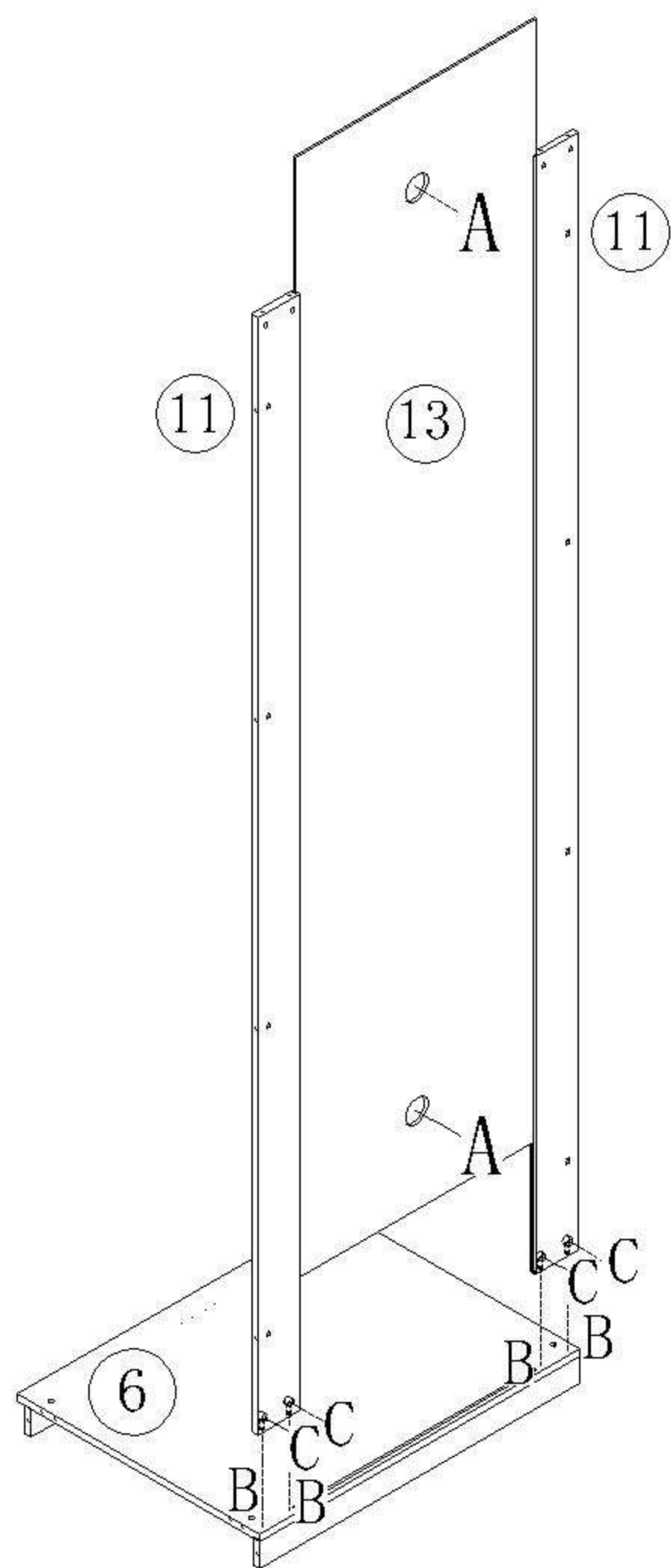
11



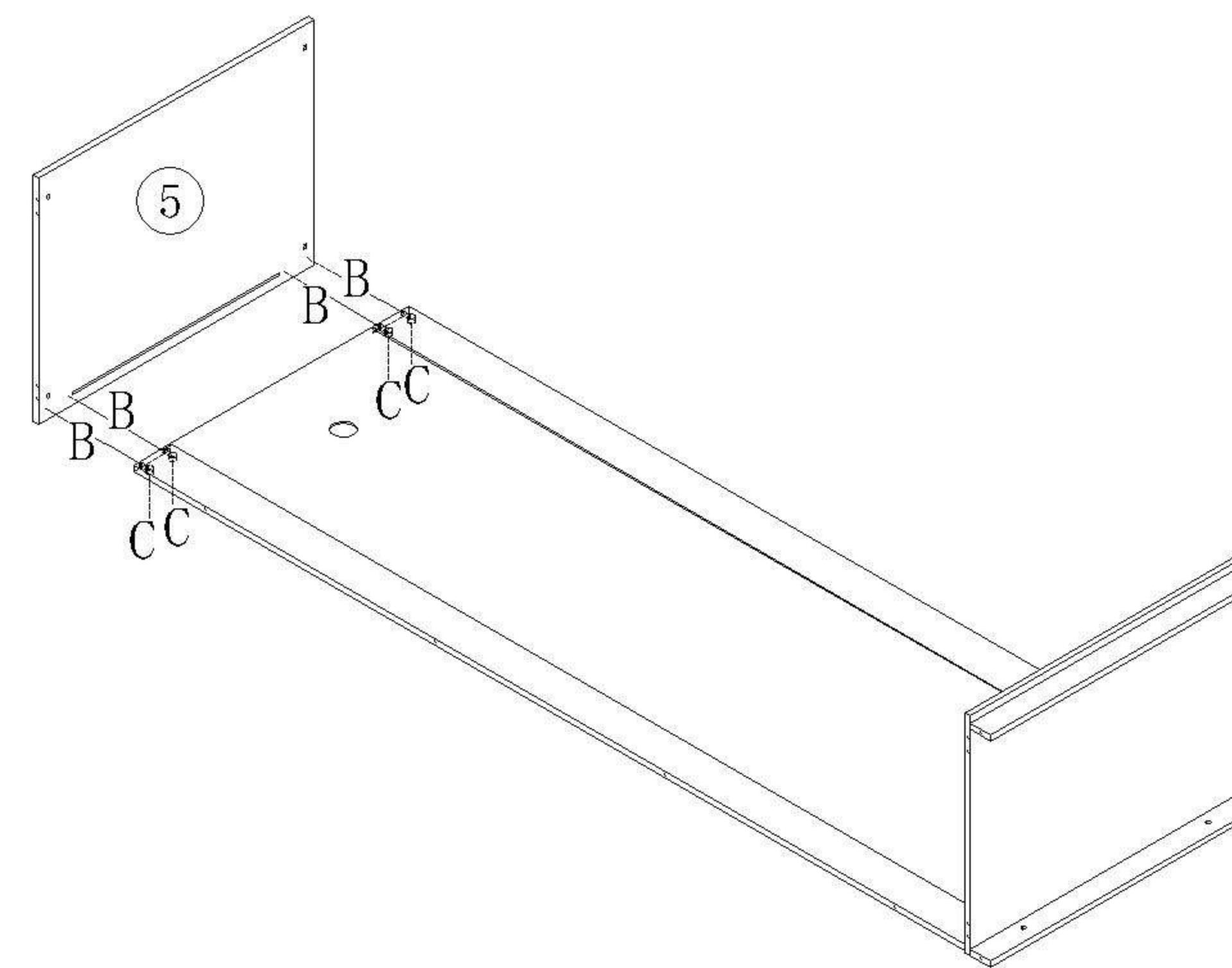
(B)*4



(C)*4

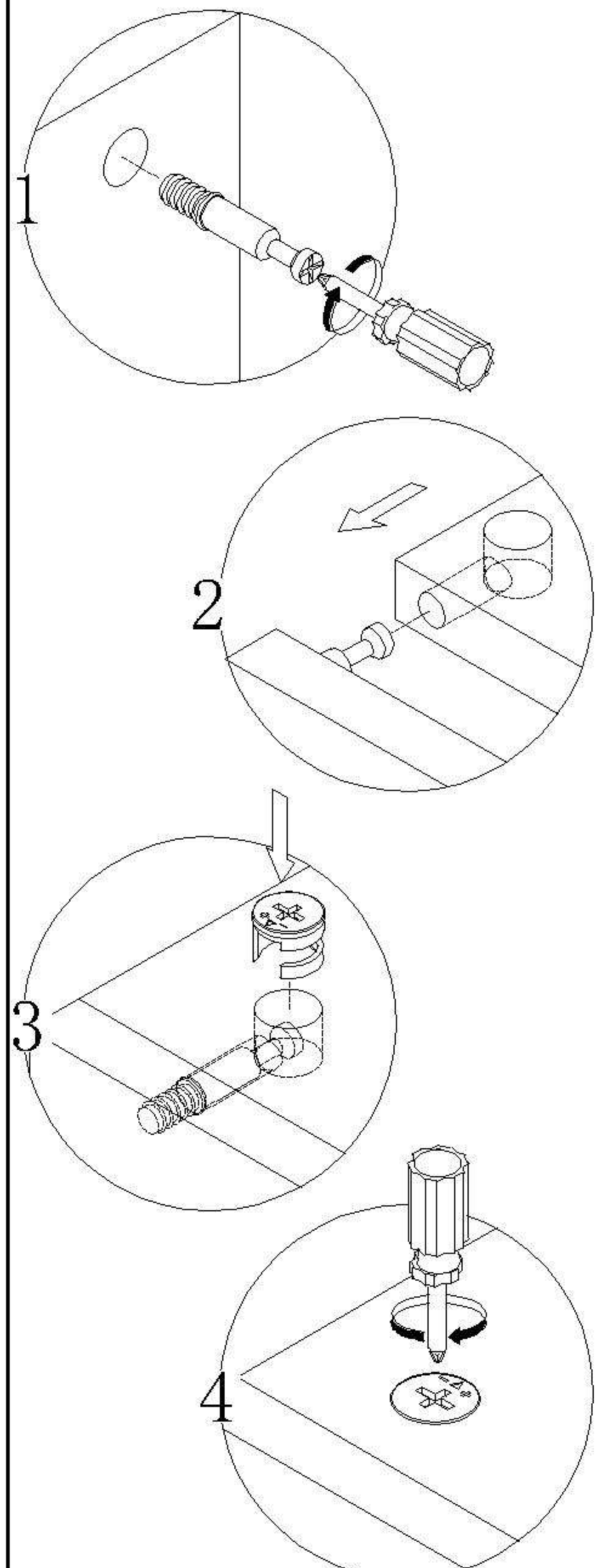


12



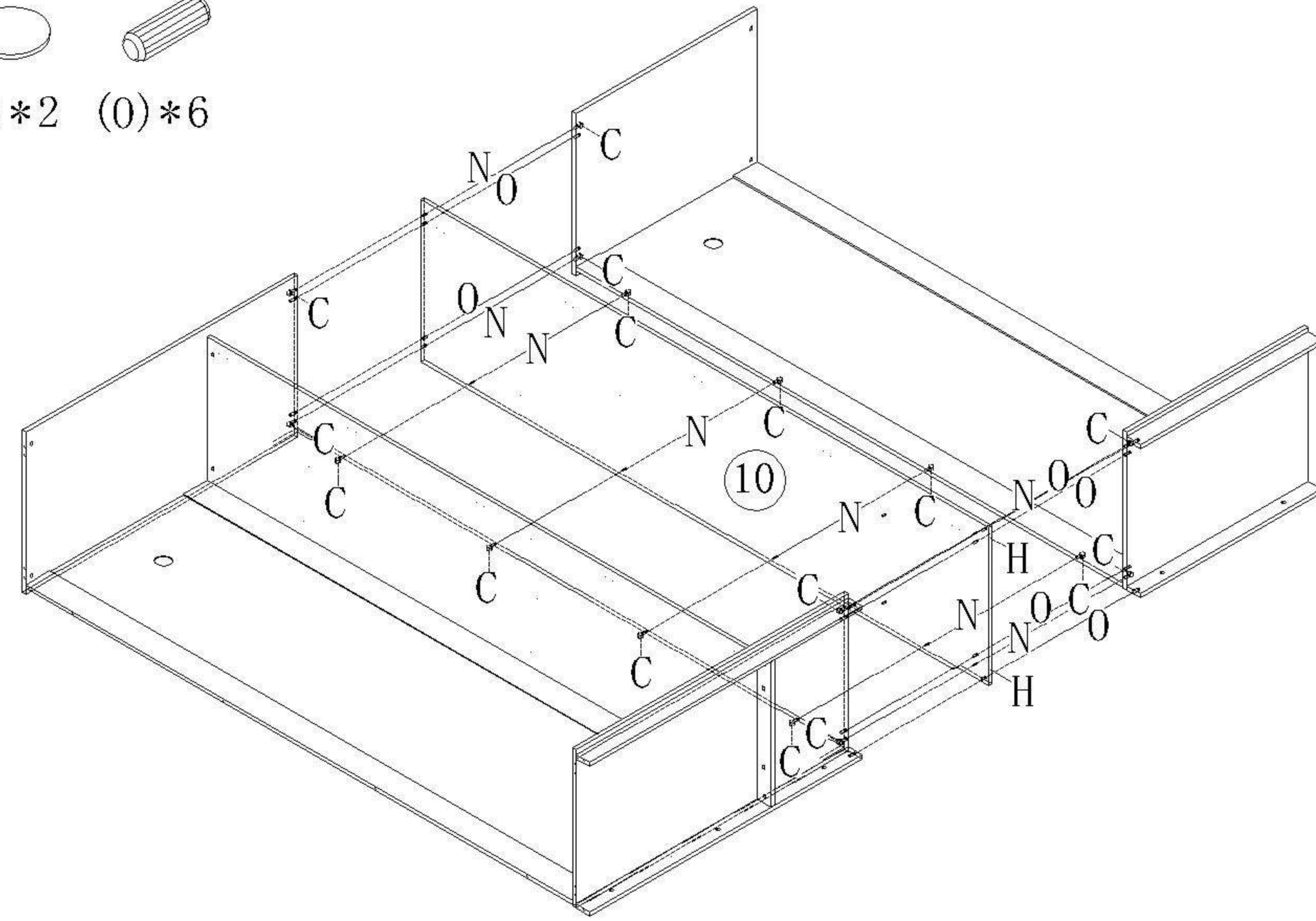
YZ1D-A 五门衣柜2.4m

安装方法/
Installation method



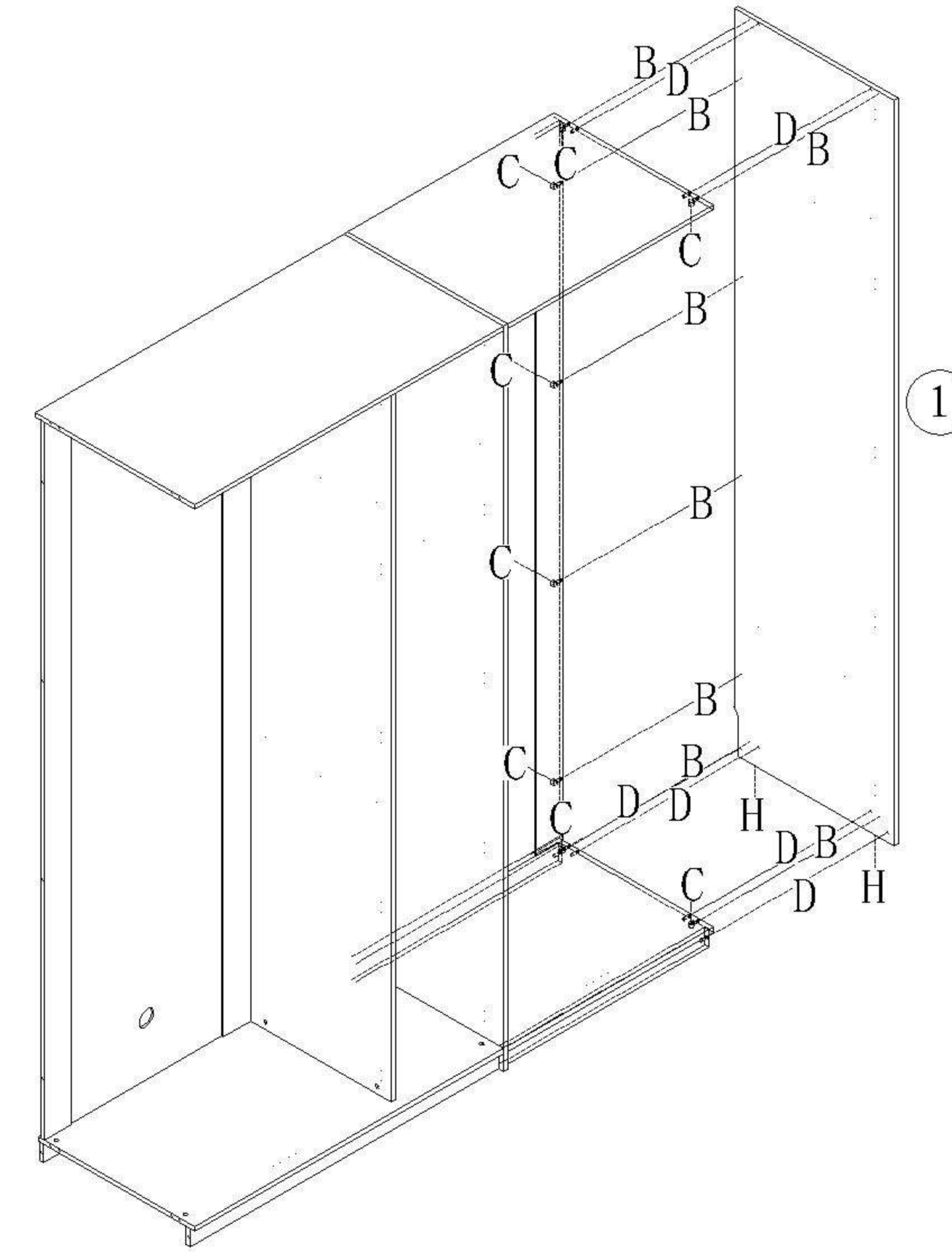
大二合一
two-in-one

- (C)*16 (N)*8
- (H)*2 (O)*6



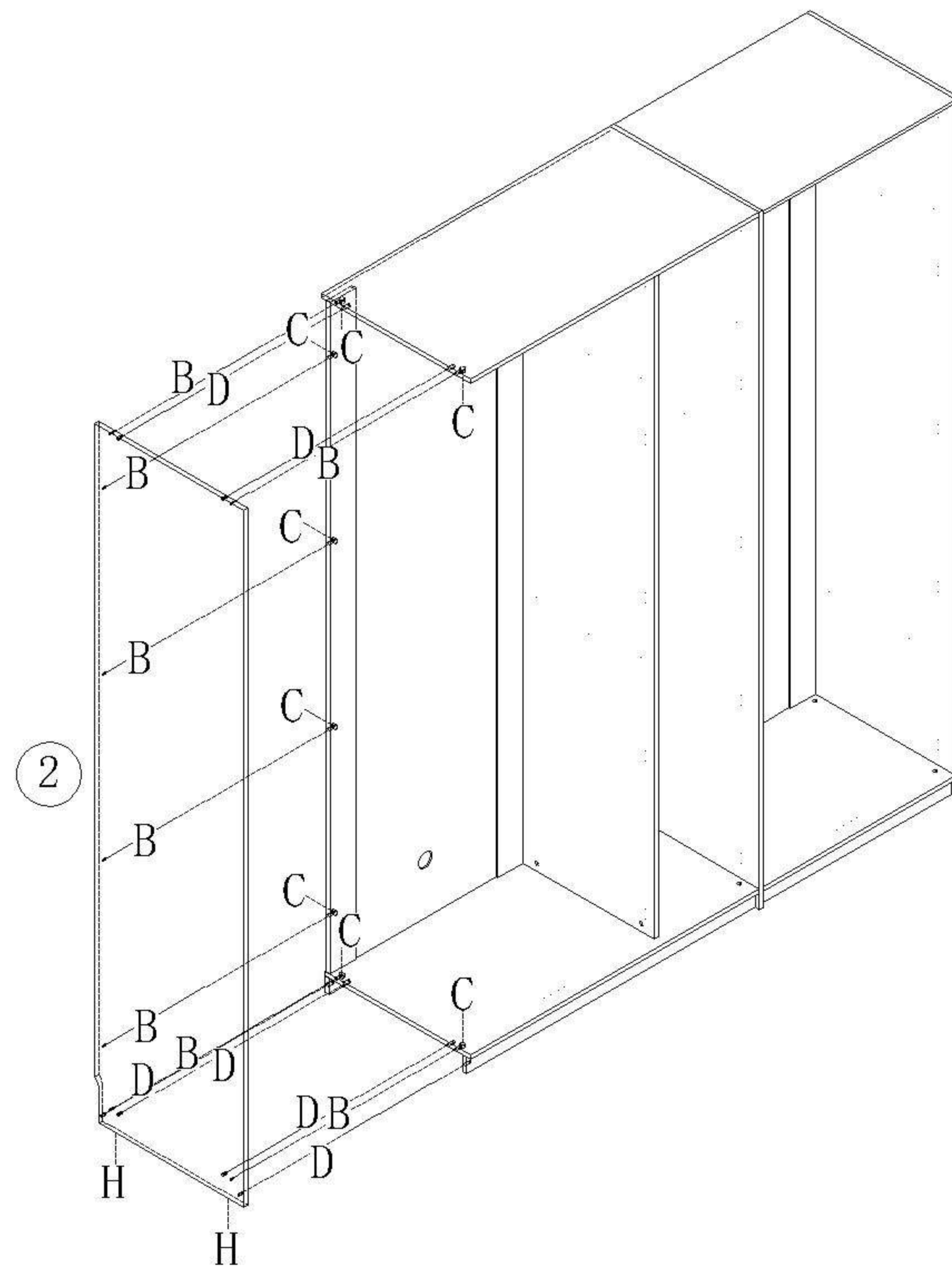
13

- (B)*8
- (C)*8
- (D)*6
- (H)*2



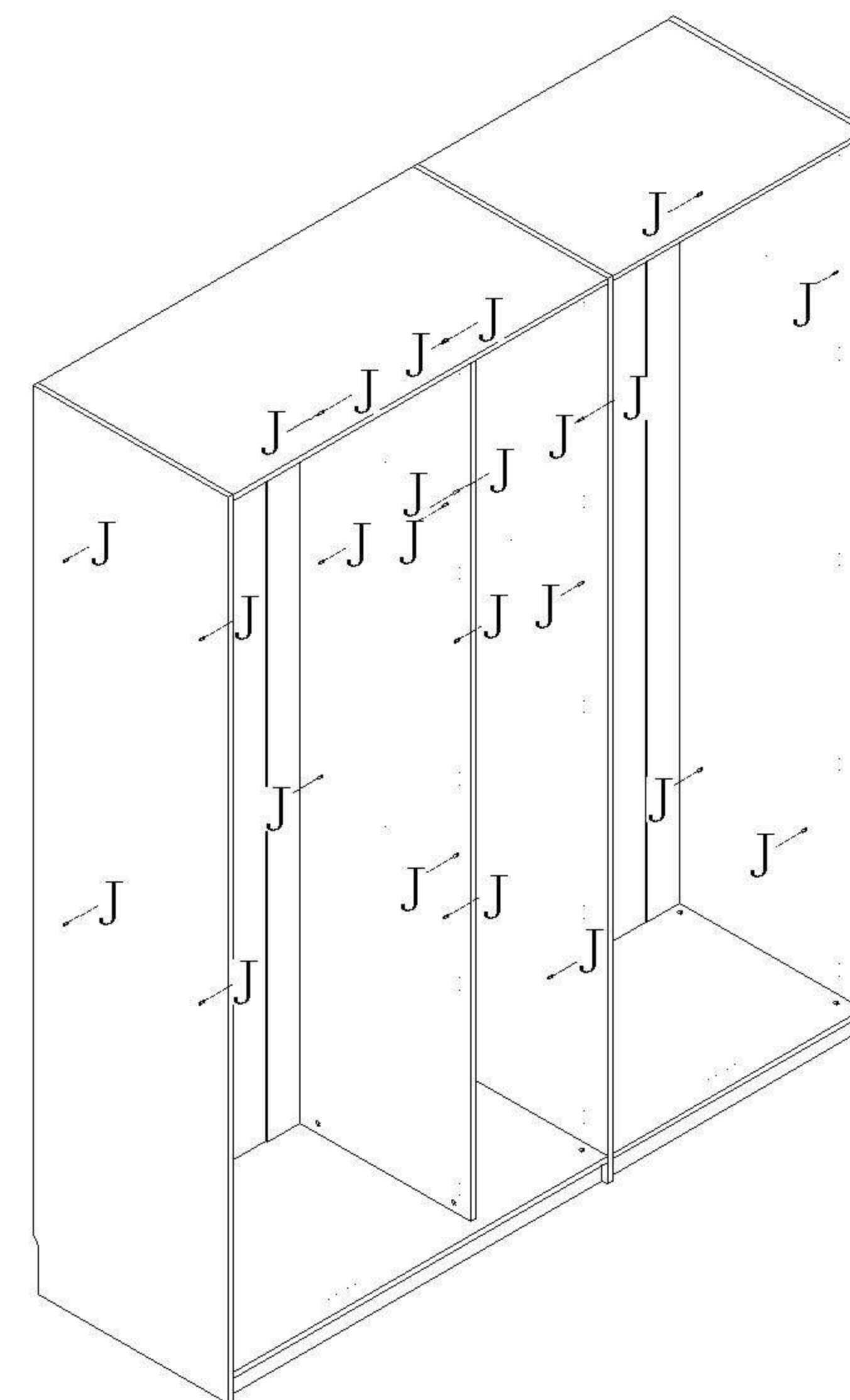
14

- (B)*8
- (C)*8
- (D)*6
- (H)*2



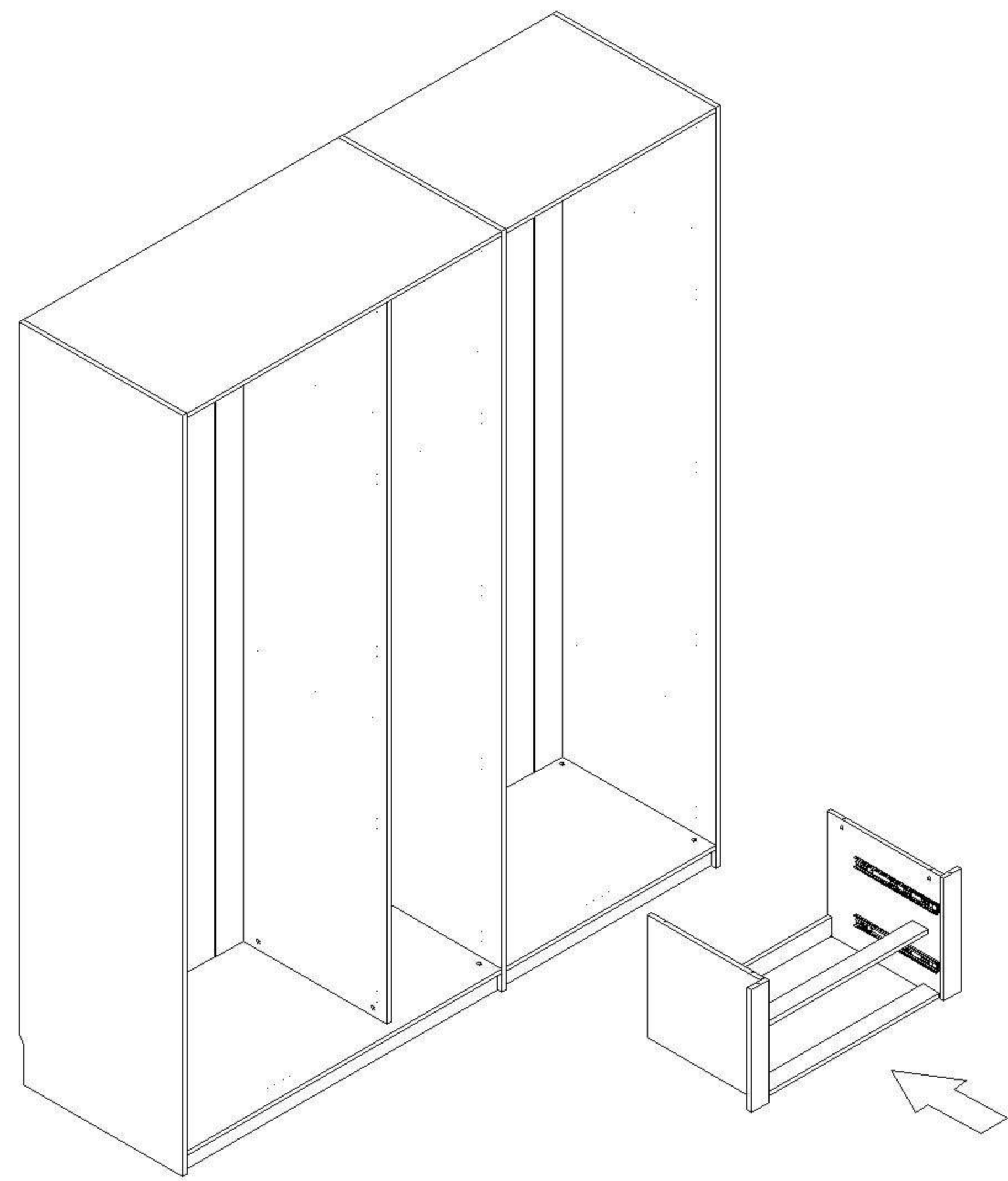
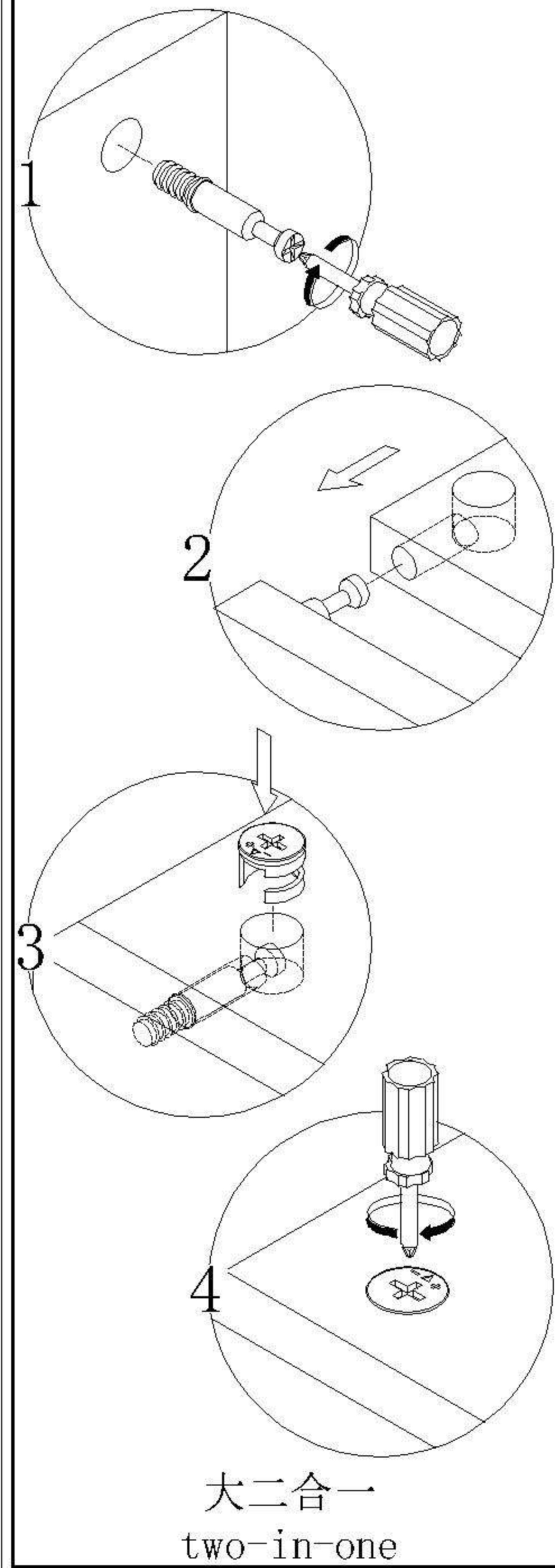
15

- (J)*24



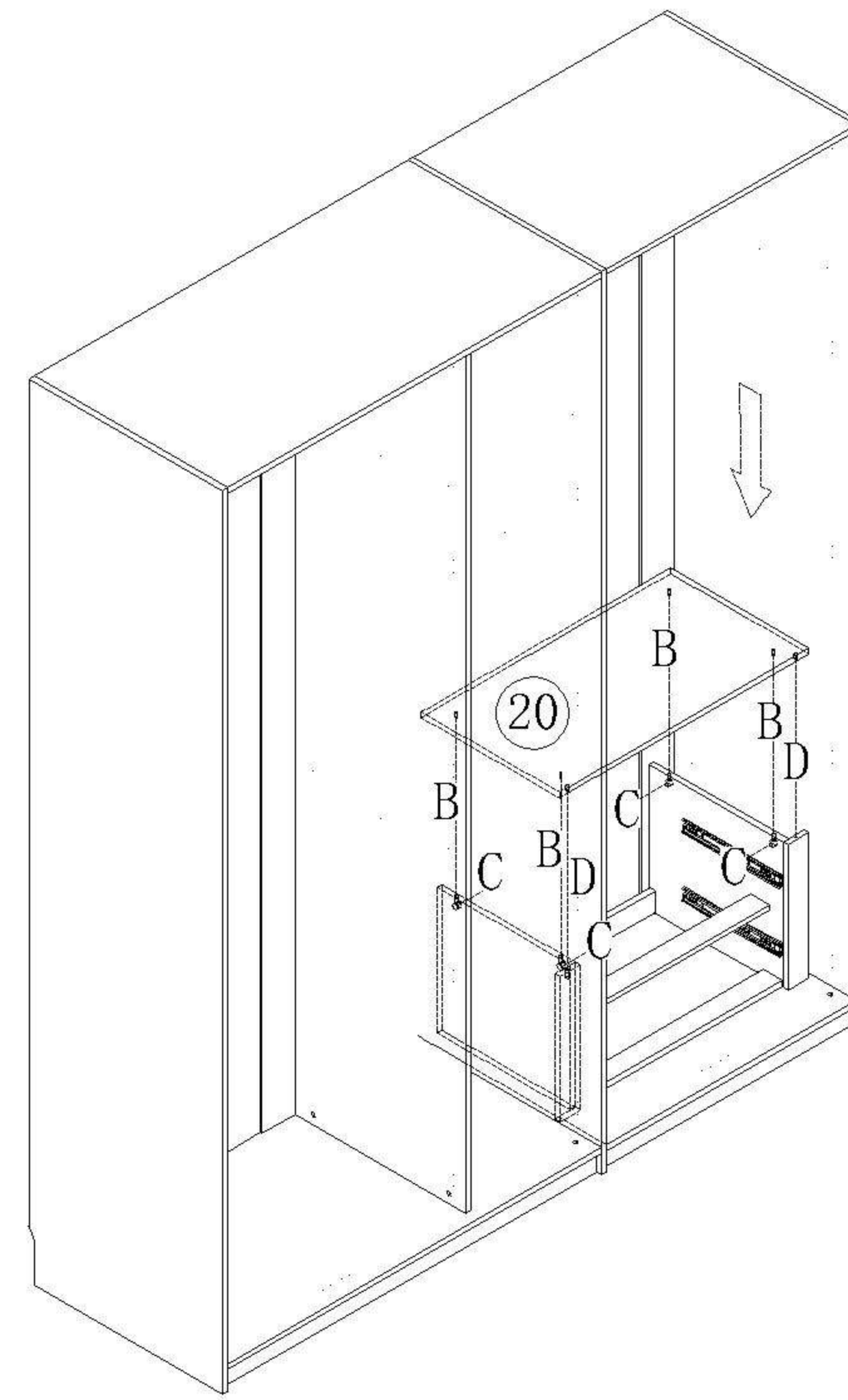
16

安装方法/
Installation method

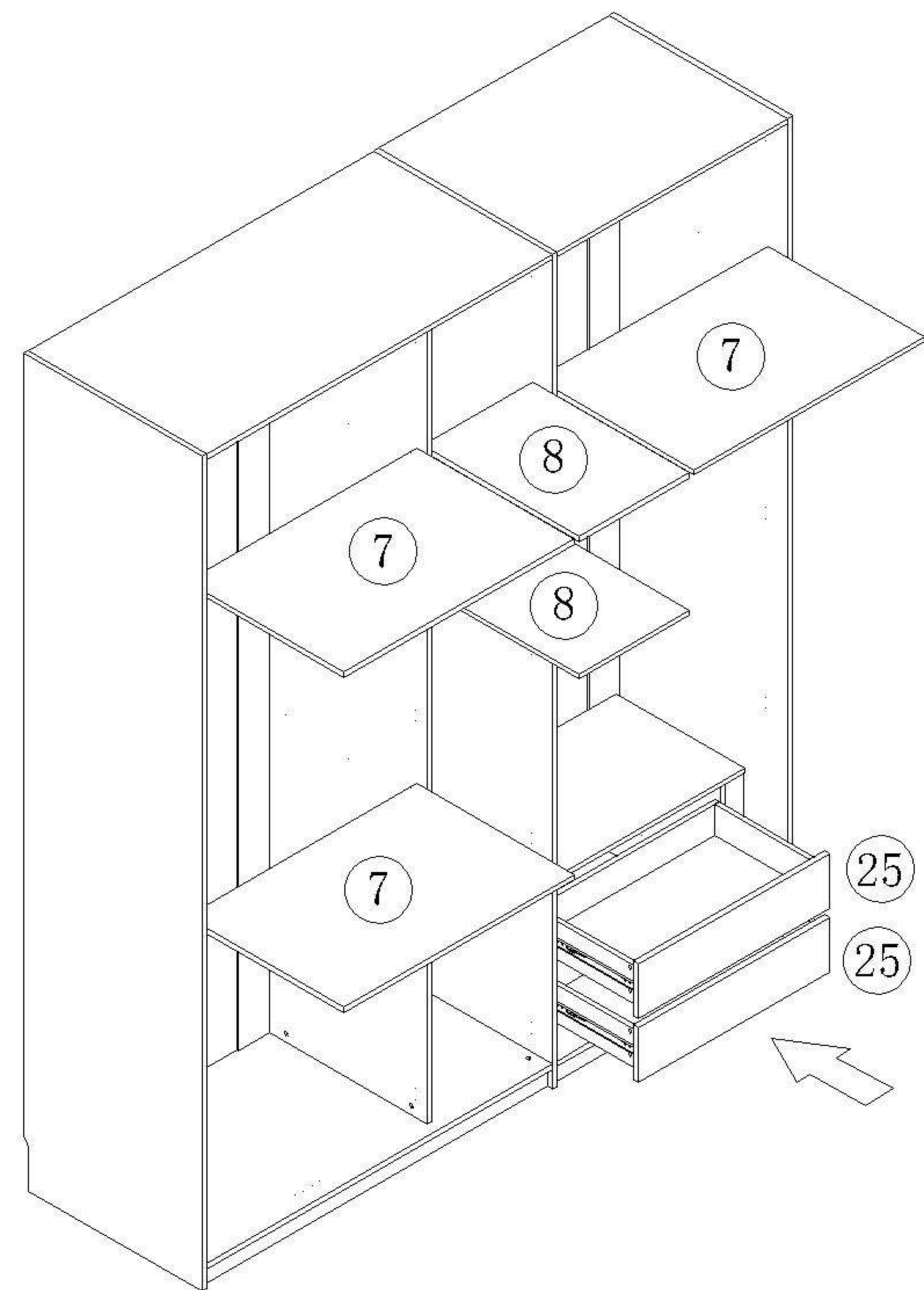


17

- (B)*4
- (C)*4
- (D)*2

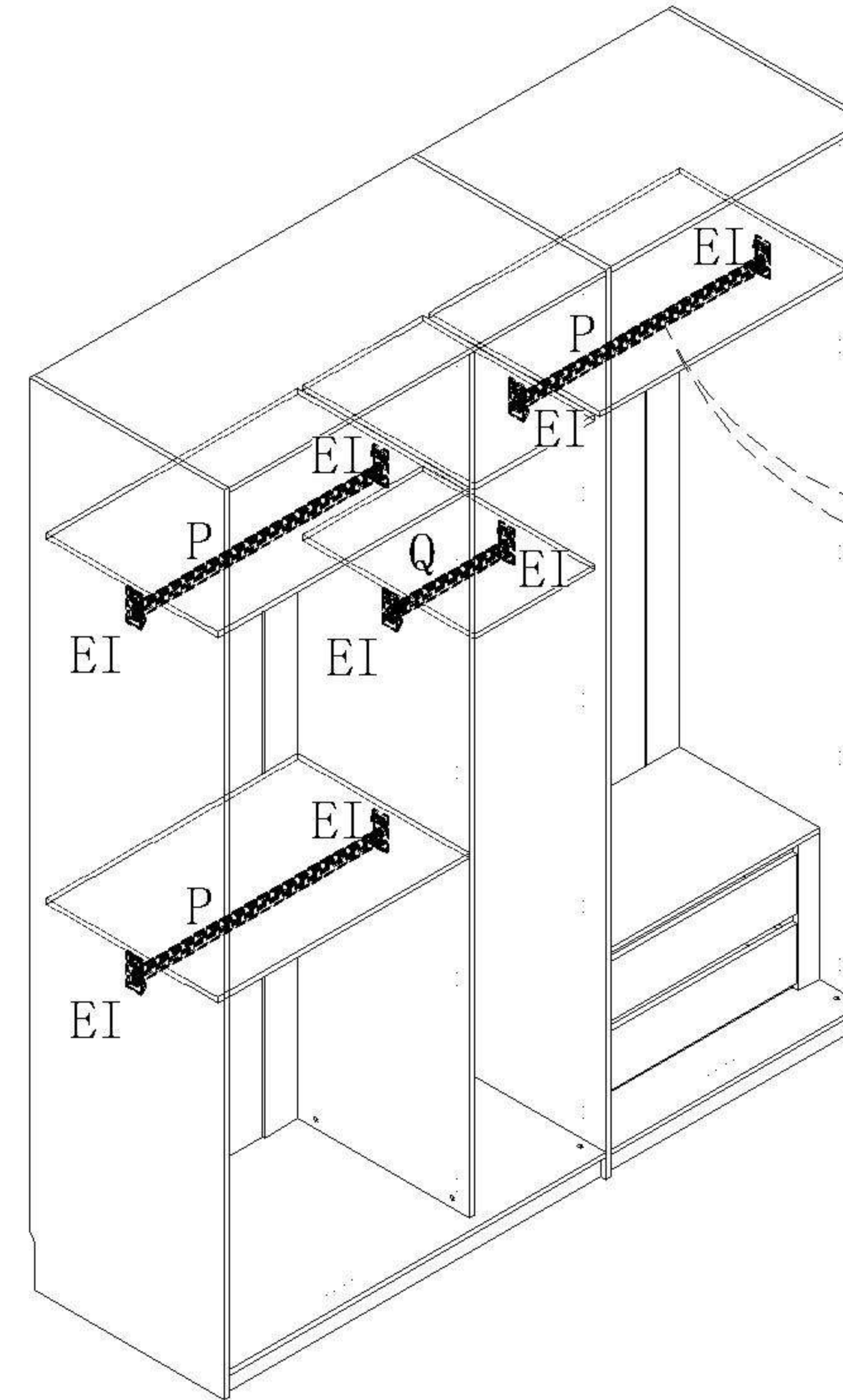


18



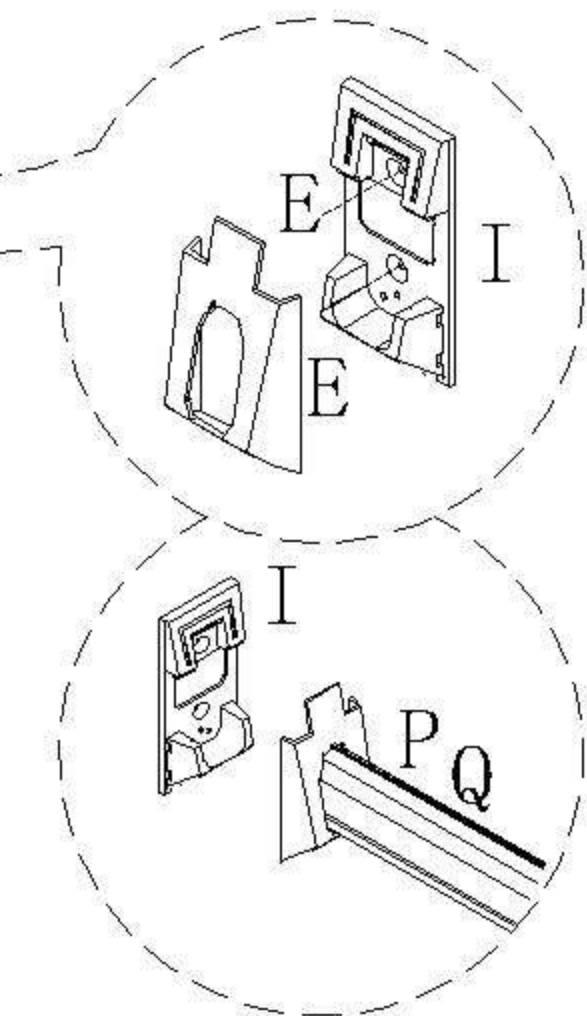
19

- (E)*16
- (I)*8
- (P)*3
- (Q)*1



20

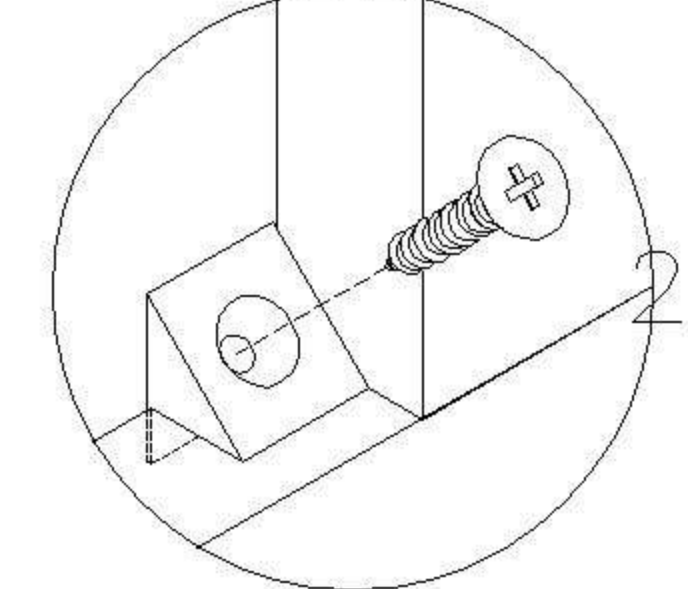
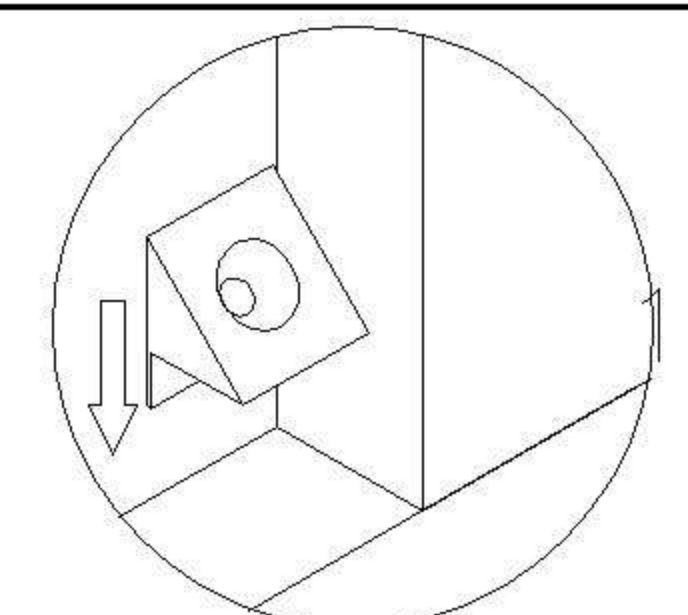
将五金I的盖子拆开再锁
Remove the cover of
hardware I and lock it



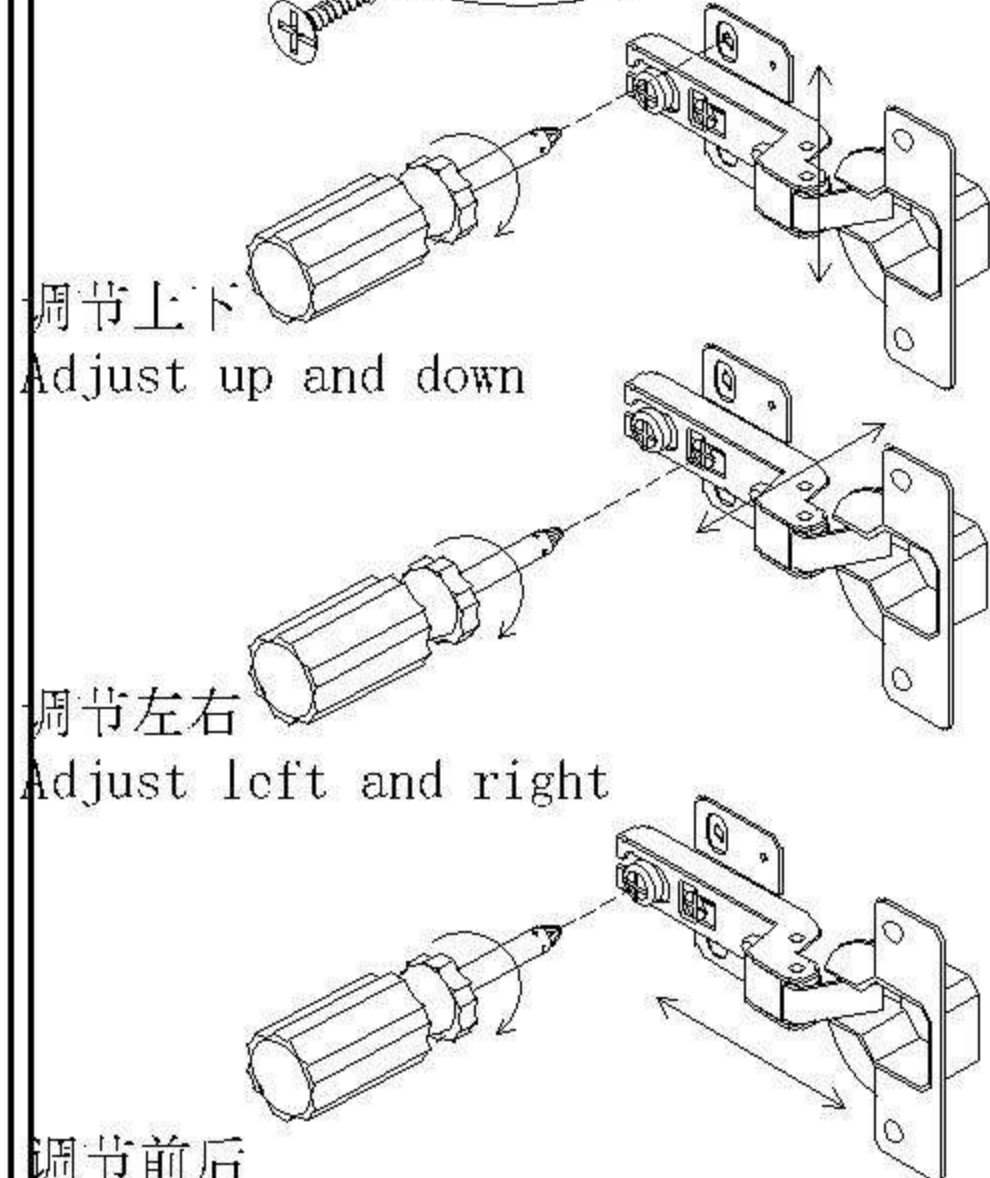
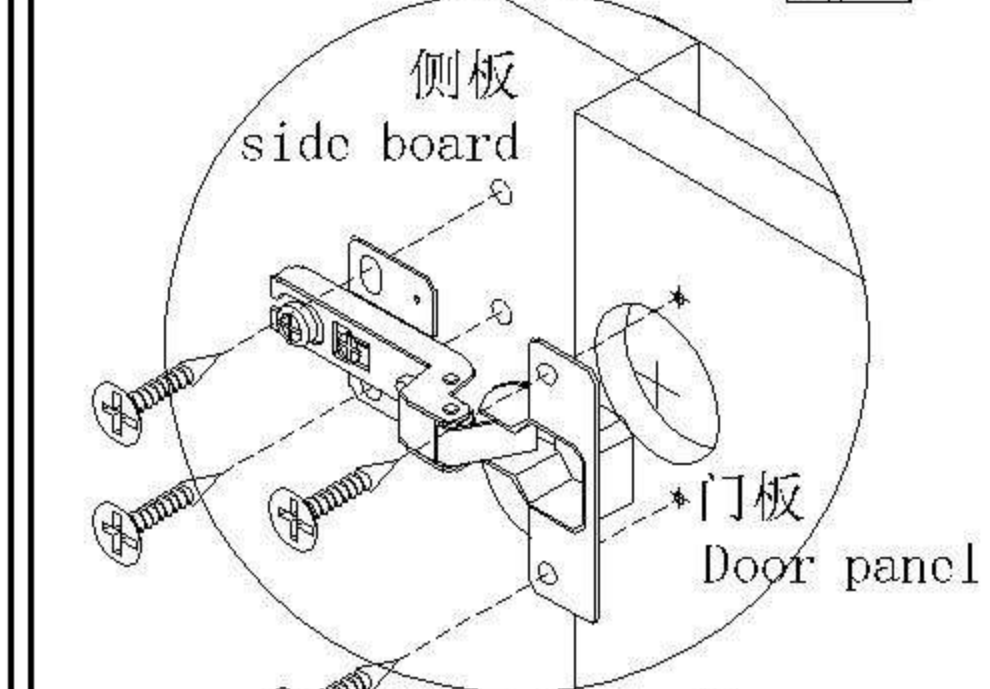
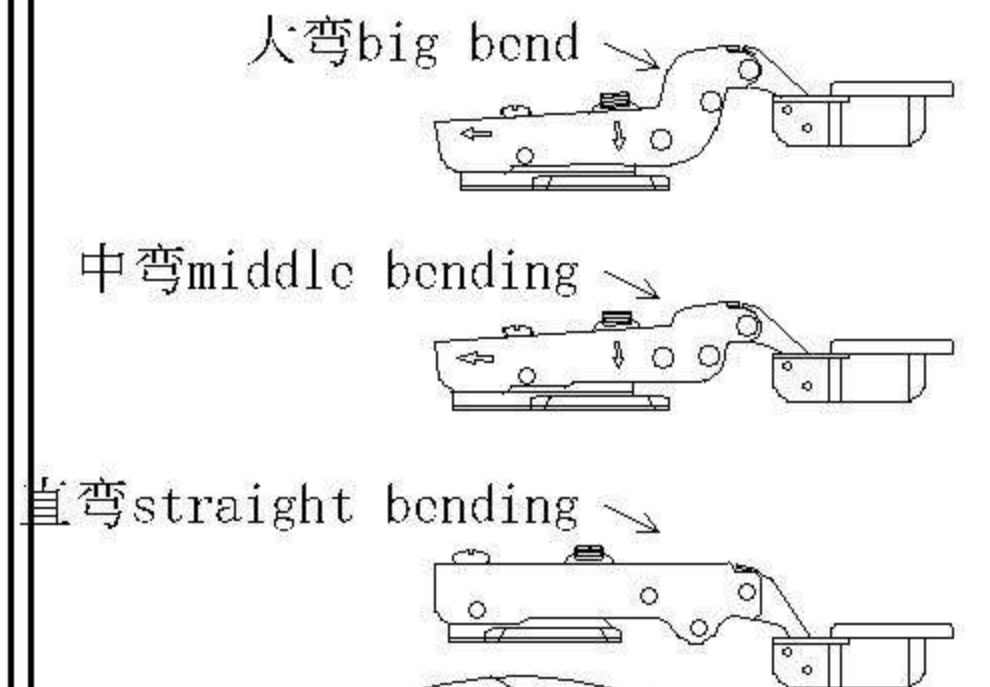
将五金 P Q 套进五金I的
盖子再盖在五金I的底座上
Put hardware P Q into
the cover of hardware I
and then cover the base
of hardware I

YZ1D-A 五门衣柜2.4m

安装方法/
Installation method

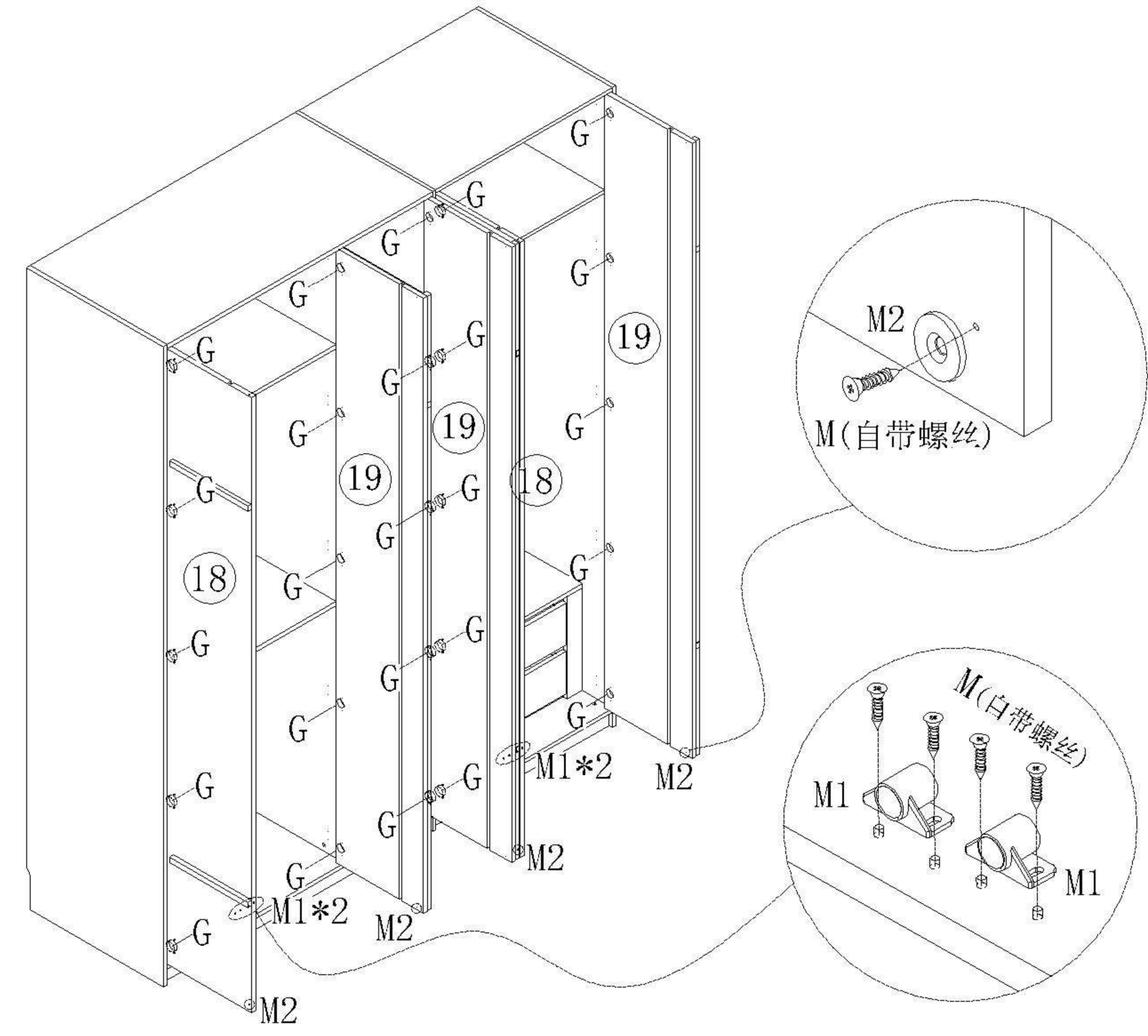


背板扣
Back Plate Buckle-White

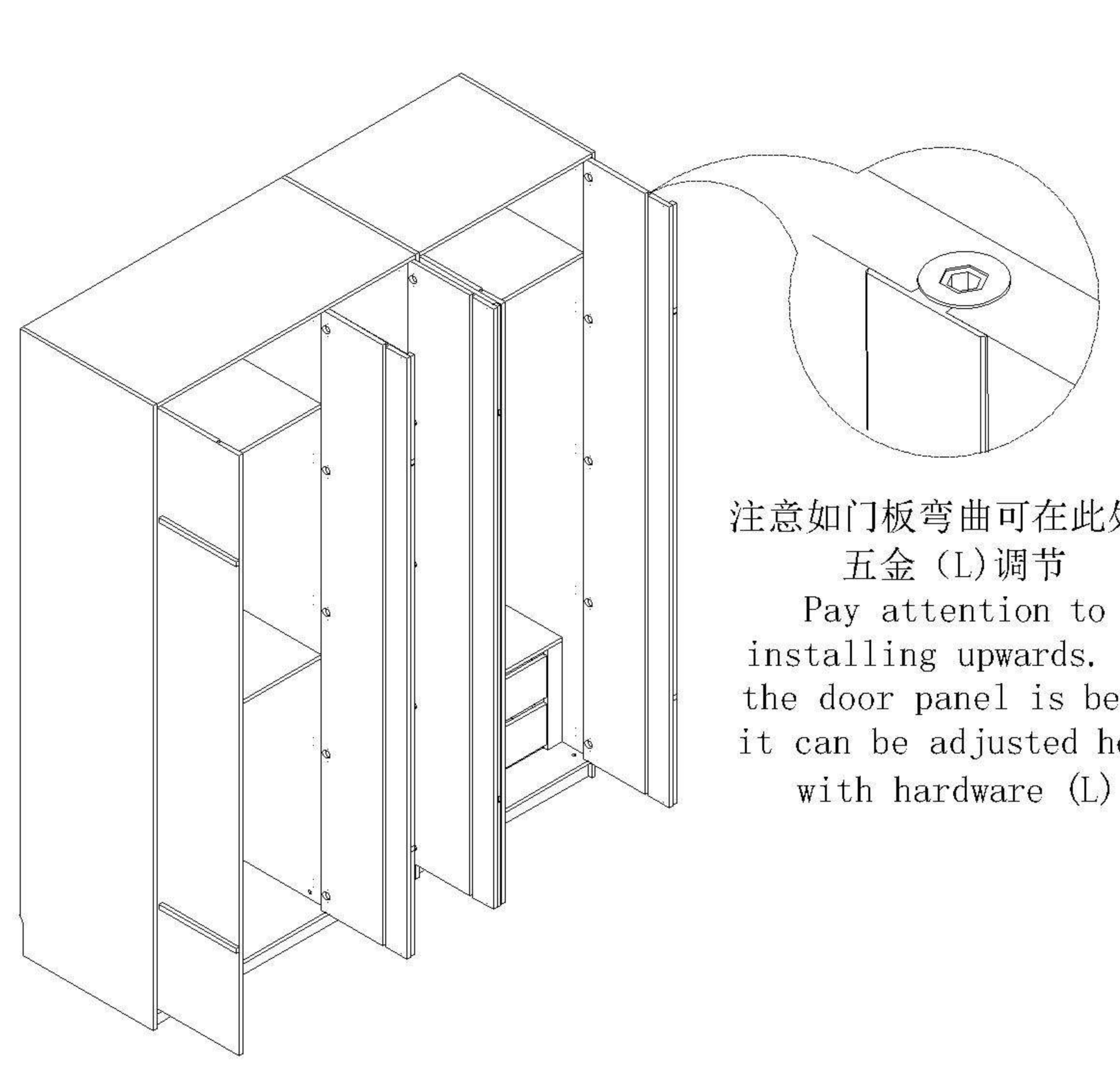


调节上下
Adjust up and down
调节左右
Adjust left and right
调节前后
Before and after adjustment
门铰
Hinge

- (G)*25
- (M)*4



- (L)*1



注意如门板弯曲可在此处用五金(L)调节
Pay attention to installing upwards. If the door panel is bent, it can be adjusted here with hardware (L)

- 22 (E)*16
- (F)*16

