

LINSY 林氏家居

五金表/Hardware list

部件表/Parts List

安装示意图/Assembly Instruction

产品名称 Model NO.

三门衣柜2.4m

产品型号 Product Model

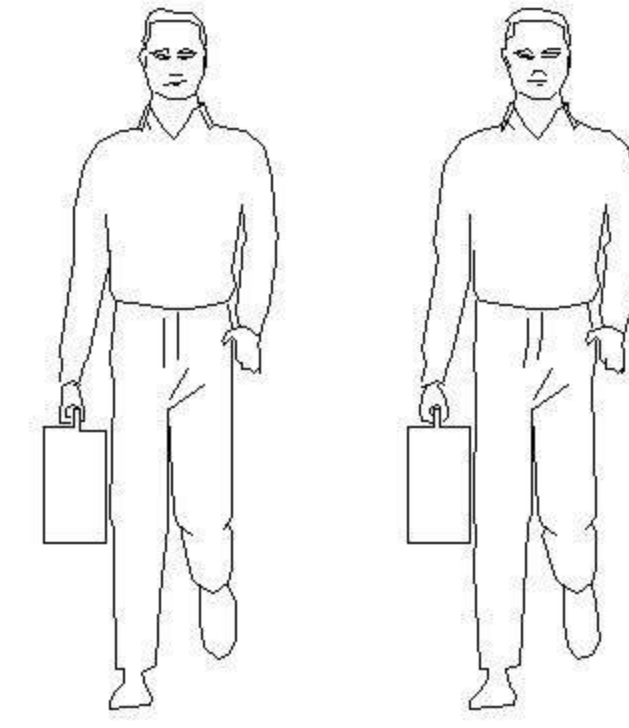
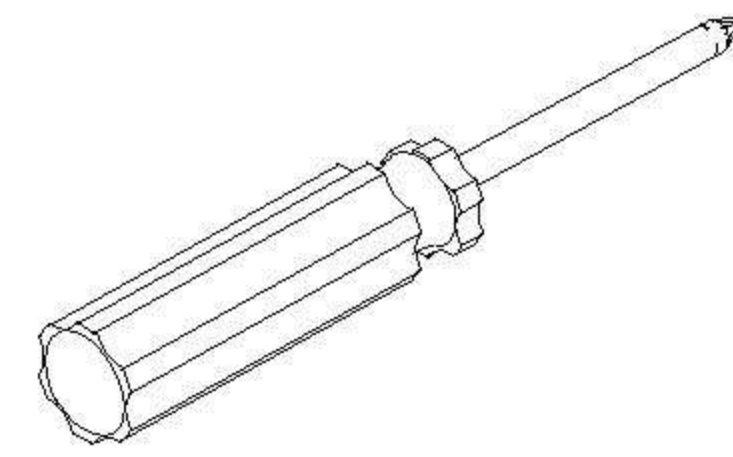
YZ1D-A

尺寸规格 Specification

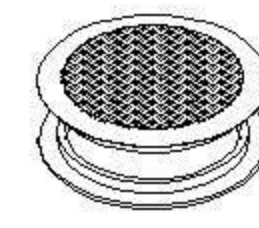
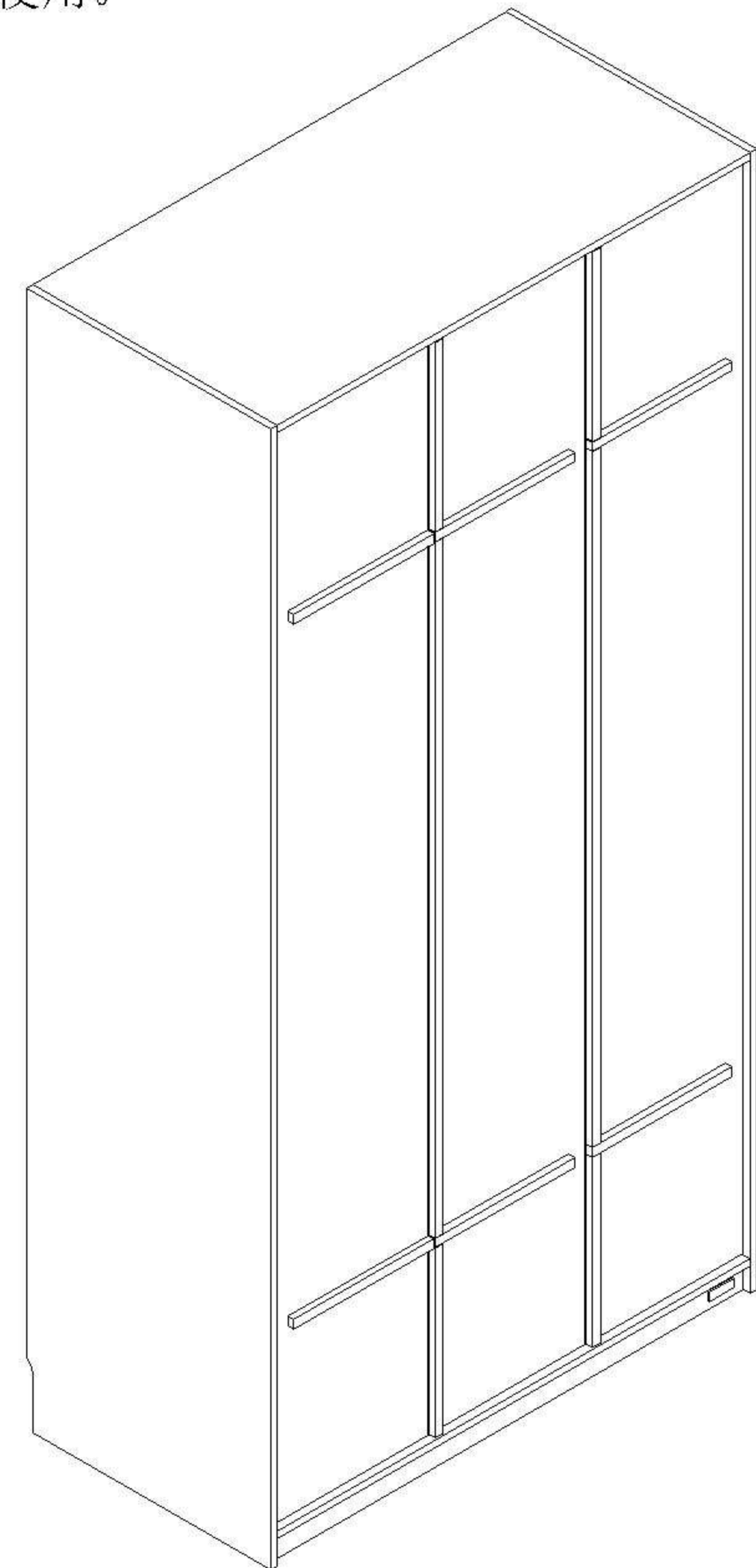
(1178*594*2403)mm

安装工具 Tool

安装人数 Installer



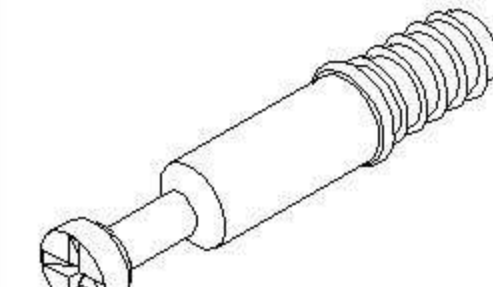
注：为保证设计效果，部分尺寸为定制尺寸，不影响使用。



(A)* 4

透气孔盖

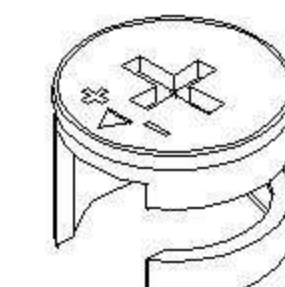
Vent cover white



(B)* 44

二合一螺杆

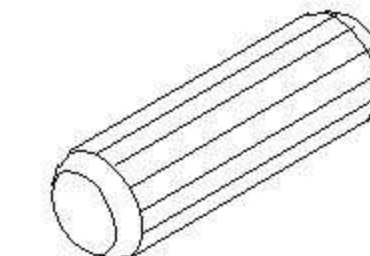
2 in 1 screw



(C)* 44

大三合一锁饼

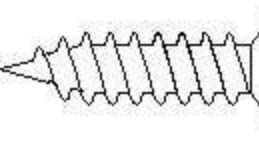
Three in one large lock



(D)* 17

木榫Ø8x30mm

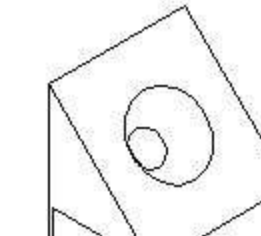
wood tenon



(E)* 23

自攻螺丝M3.5x14mm

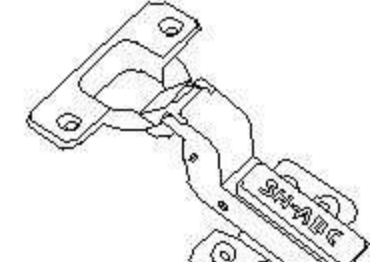
Self tapping screw



(F)* 11

背板扣

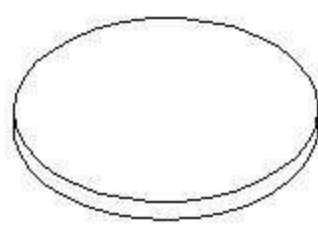
Back Plate Buckle White



(G)* 15

缓冲门铰大弯-Ø35

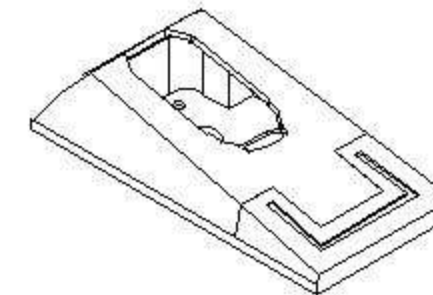
Hinge-big bends



(H)* 12

脚垫

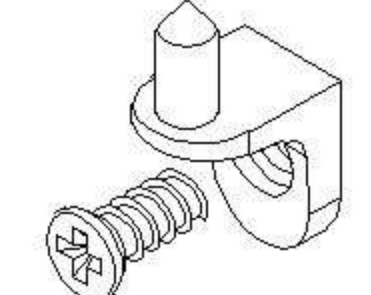
Footrest



(I)* 6

挂衣杆托

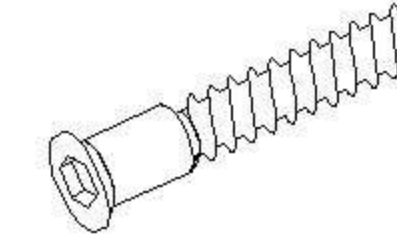
Clothes hanger



(J)* 16

层板托

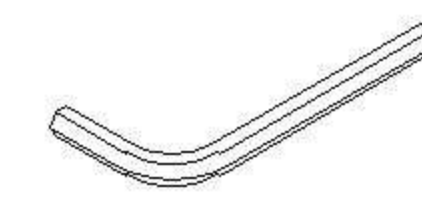
shelf support



(K)* 4

过山丝-M7x38mm

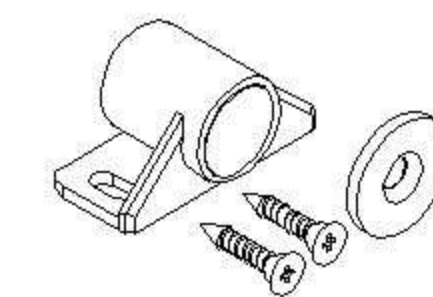
Self-tapping screw galvanized



(L)* 1

内六角扳手4mm

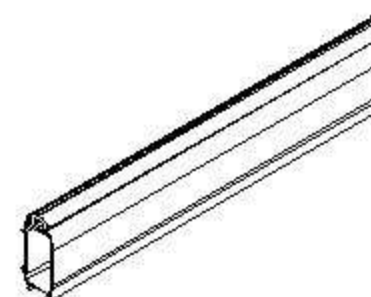
spanner-(4mm) hex



(M)* 2

古铜色消音磁碰

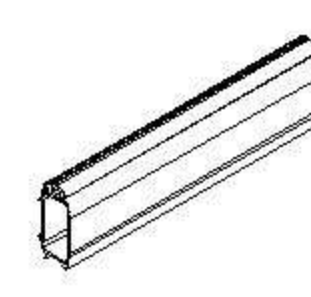
magnetic catch



(N)* 2

挂衣杆-L=758mm

Clothes hanging rod



(O)* 1

挂衣杆-L=359mm

Clothes hanging rod

编号NO.

名称Name

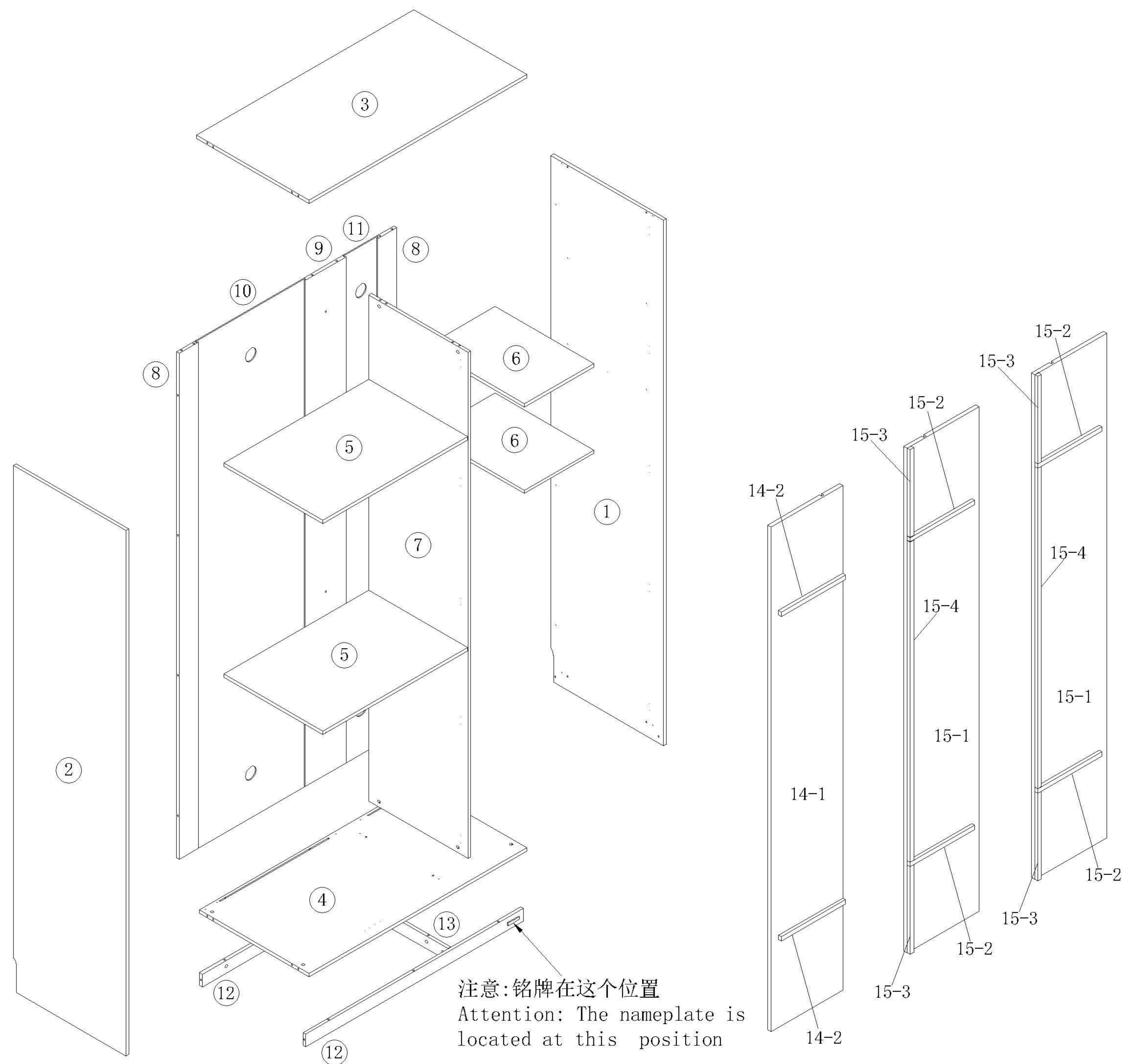
规格 (mm)
Specification

数量QTY

材质Material

①	右侧板Side board (R)	2400*594*15	1	刨花板 Particle board
②	左侧板Side board (L)	2400*594*15	1	刨花板 Particle board
③	顶板Top board	1148*594*15	1	刨花板 Particle board
④	底板Bottom board	1148*579*15	1	刨花板 Particle board
⑤	长活动层板Long movable shelf	765*522*15	2	刨花板 Particle board
⑥	短活动层板Short movable shelf	366*522*15	2	刨花板 Particle board
⑦	中侧板Middle side board	2312*524*15	1	刨花板 Particle board
⑧	边背拉条Side back brace	2312*101*15	2	刨花板 Particle board
⑨	长拉条Long brace	2312*218*15	1	刨花板 Particle board
⑩	背板Back board	2322*575*5	1	纤维板 Fiberboard
⑪	小背板Small back board	2322*176*5	1	纤维板 Fiberboard
⑫	前脚条Front foot strip	1148*58*15	2	刨花板 Particle board
⑬	中脚条Middle foot strip	531*58*15	1	刨花板 Particle board
⑭	左门板组立Door board assembly (L)	2306*380*33	1	刨花板+白蜡木 Particle board+Ash
14-1	左门板Door board (L)	2306*380*18	1	刨花板 Particle board
14-2	门板装饰条1 Door panel decorative strip 1	340*15*20	2	白蜡木 Ash
⑮	右门板组立Door board assembly (R)	2306*380*33	2	刨花板+白蜡木 Particle board+Ash
15-1	右门板Door board (R)	2306*380*18	2	刨花板 Particle board
15-2	门板装饰条1 Door panel decorative strip 1	340*15*20	4	白蜡木 Ash
15-3	门板装饰条2 Door panel decorative strip 2	400*15*20	4	白蜡木 Ash
15-4	门板装饰条3 Door panel decorative strip 3	1463*15*20	2	白蜡木 Ash

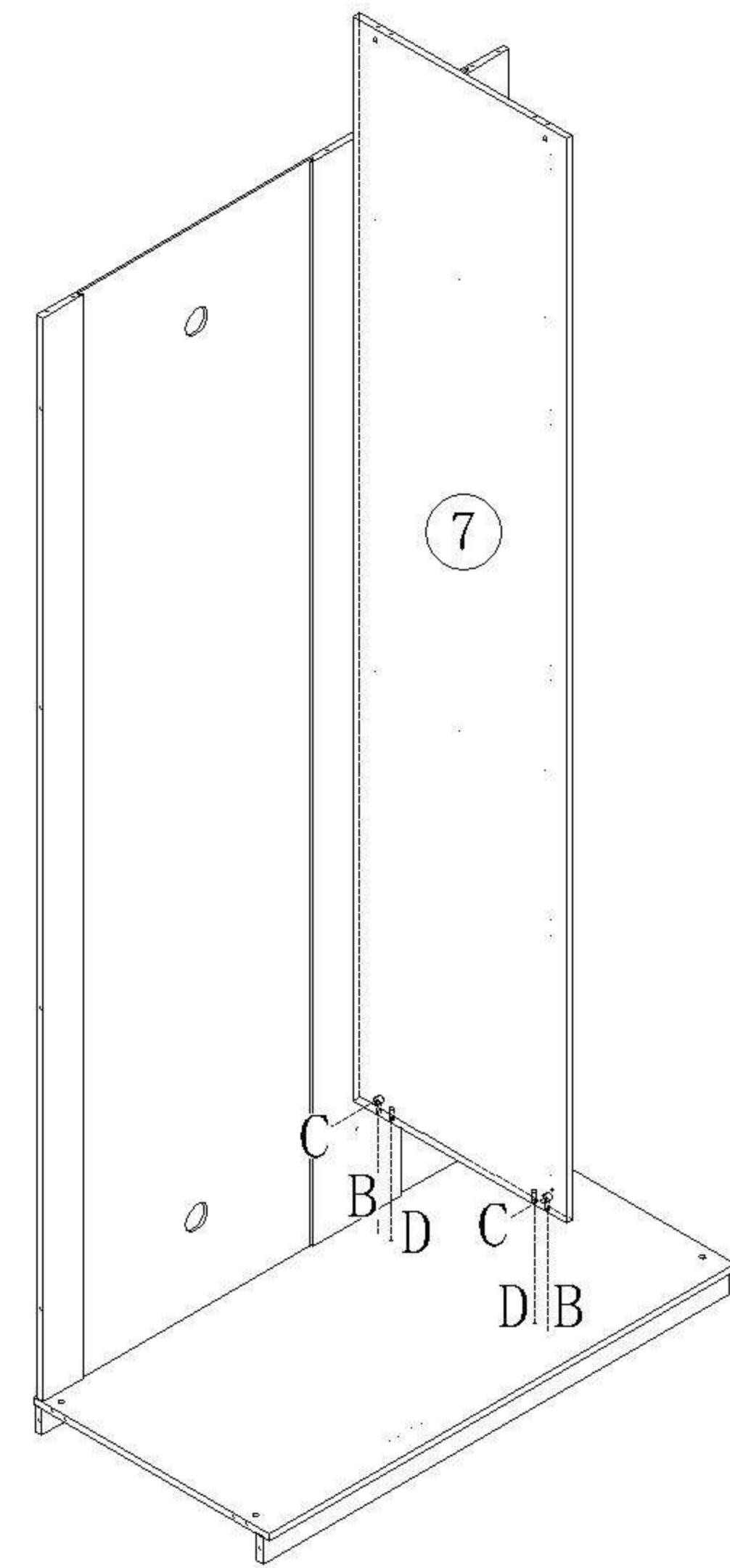
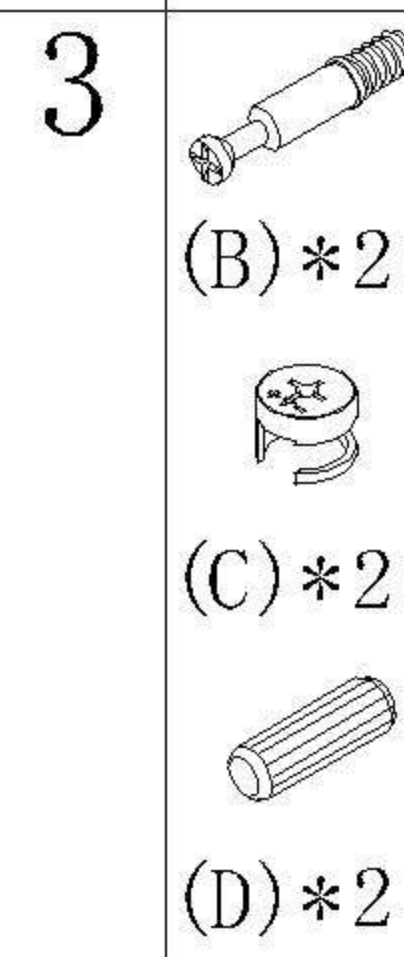
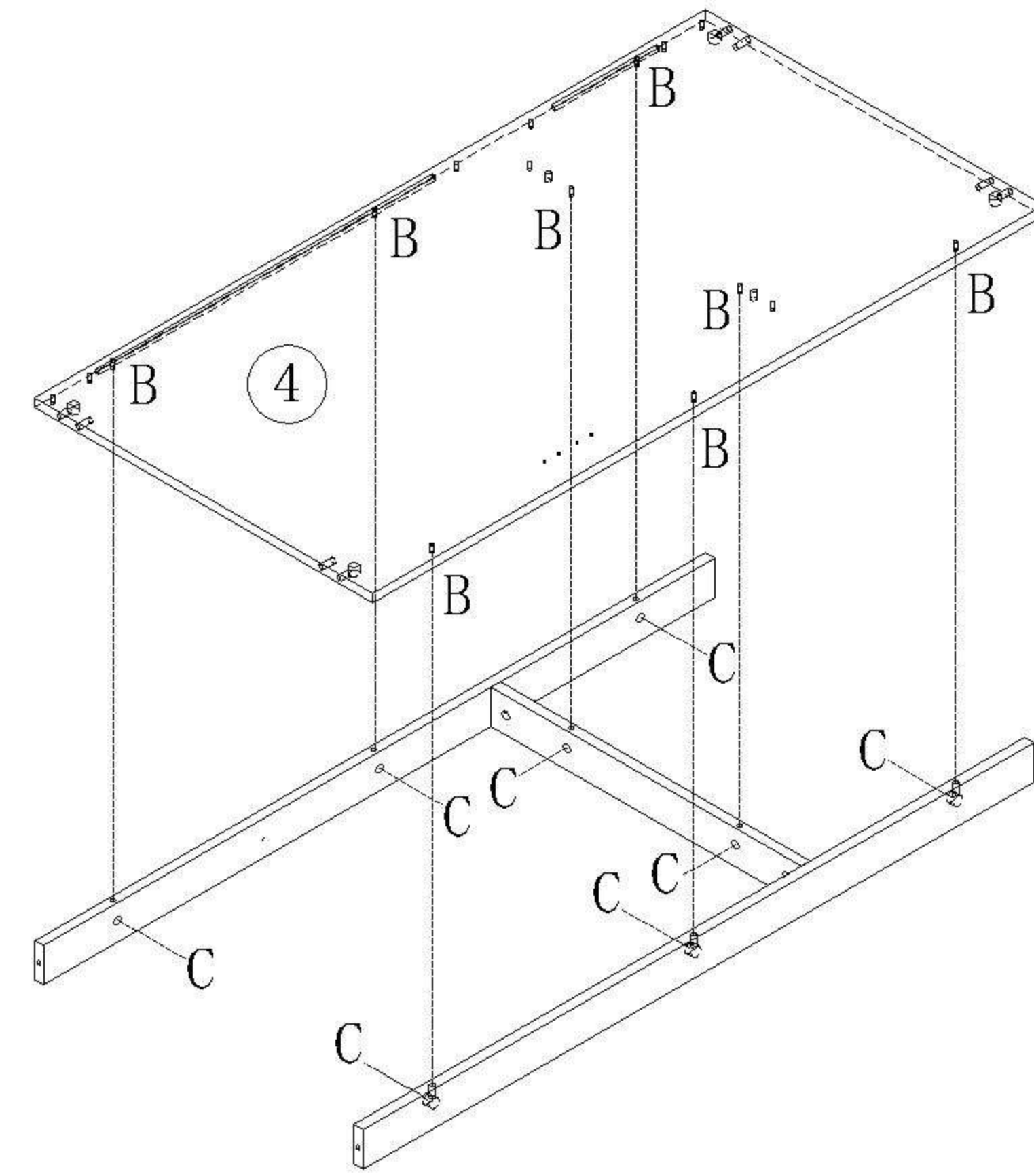
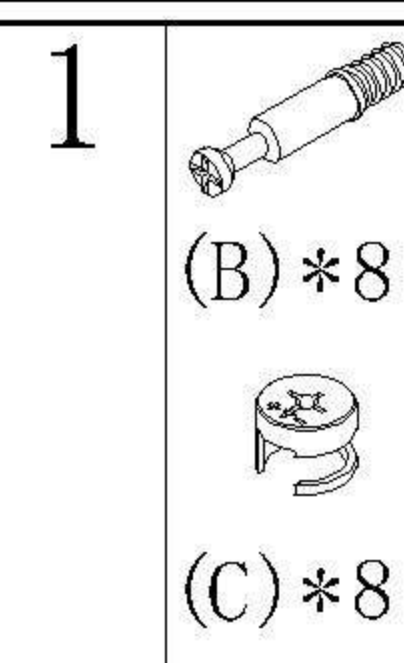
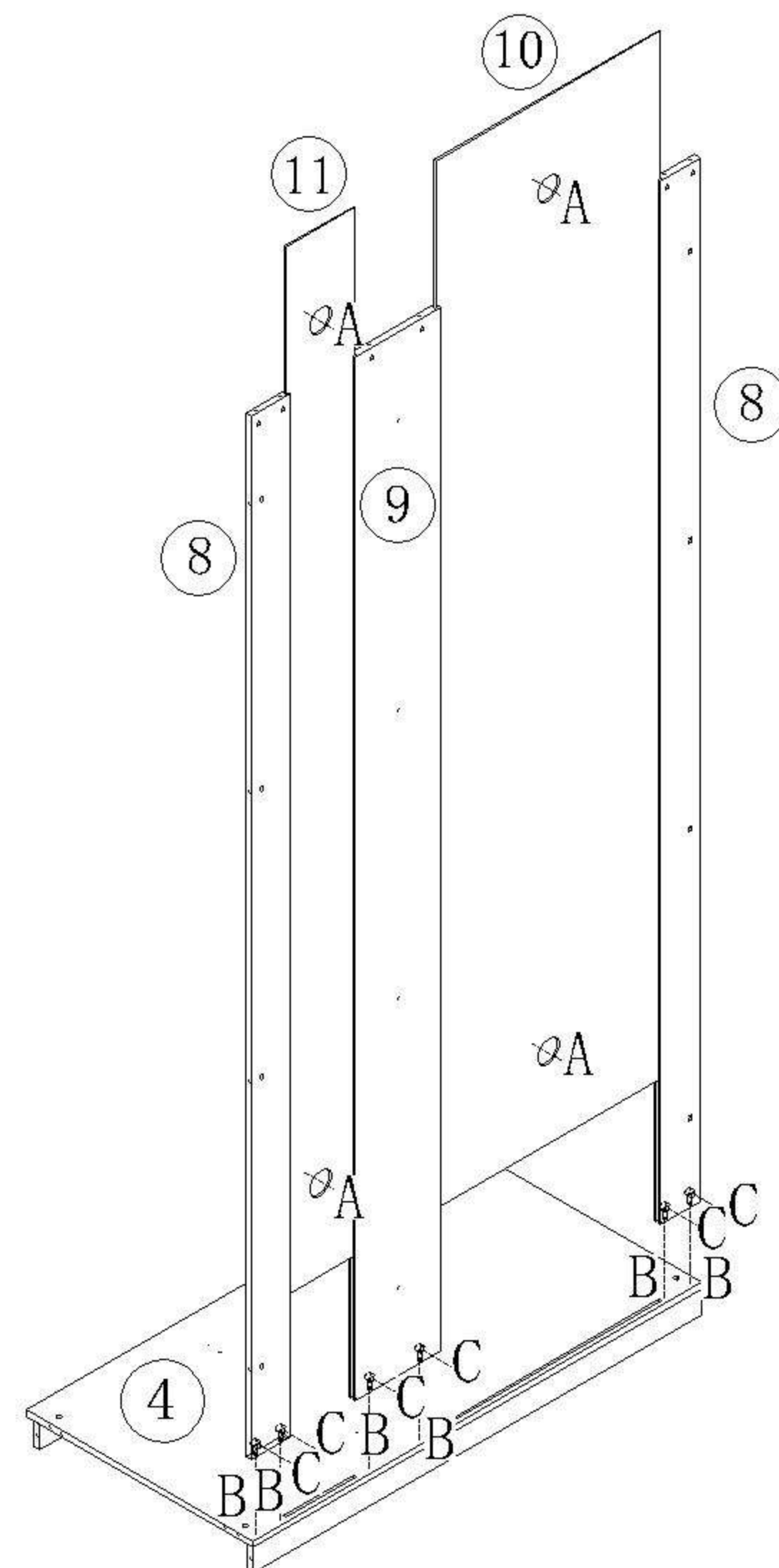
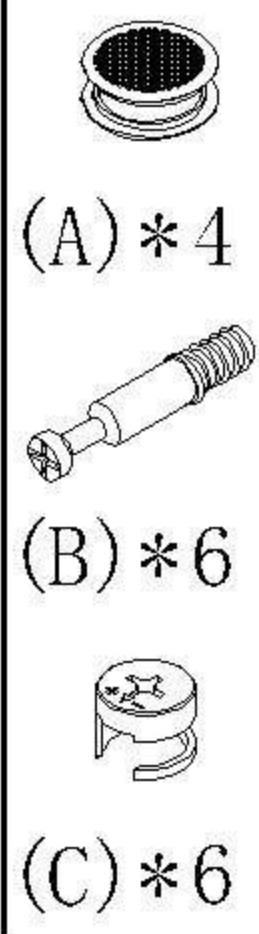
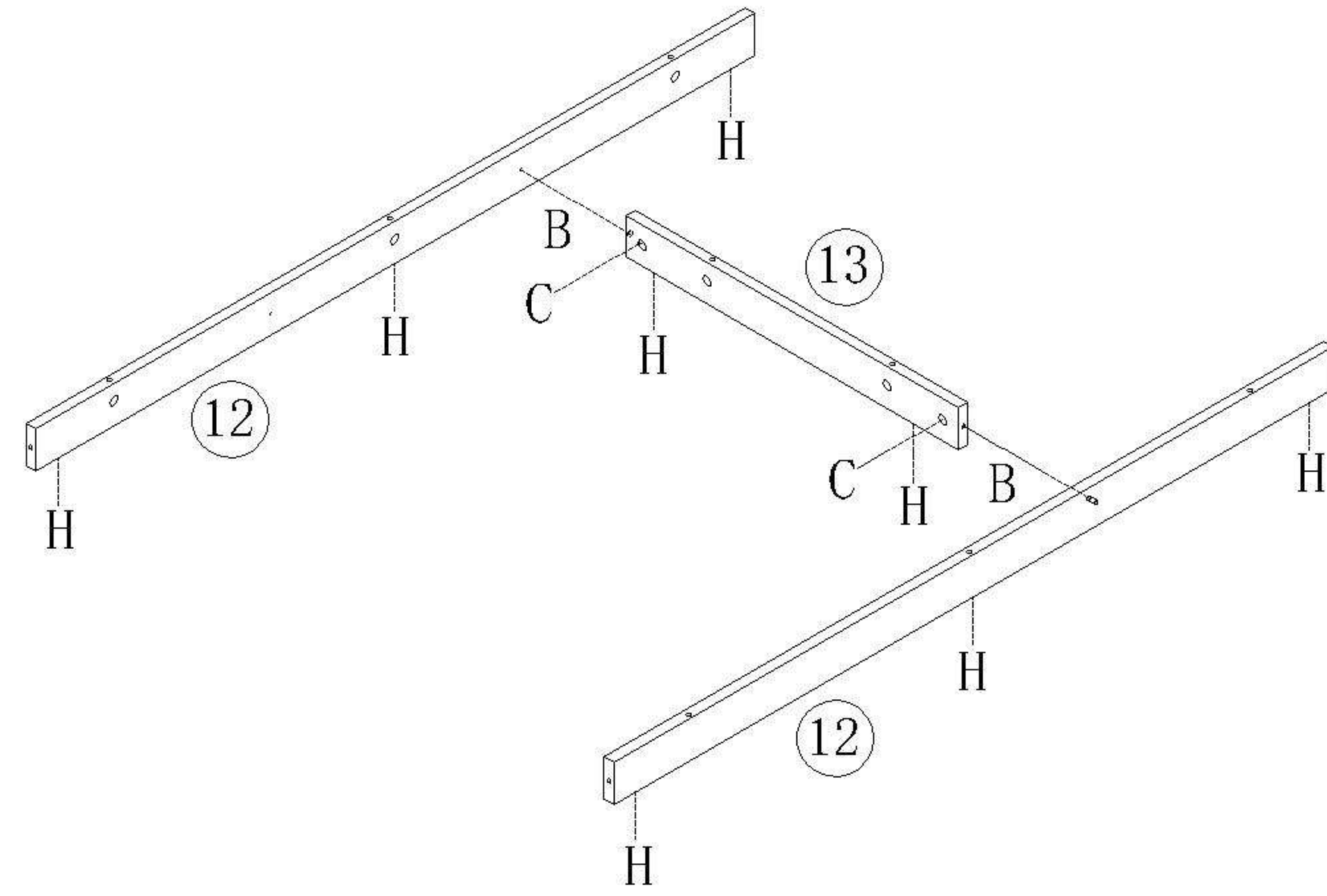
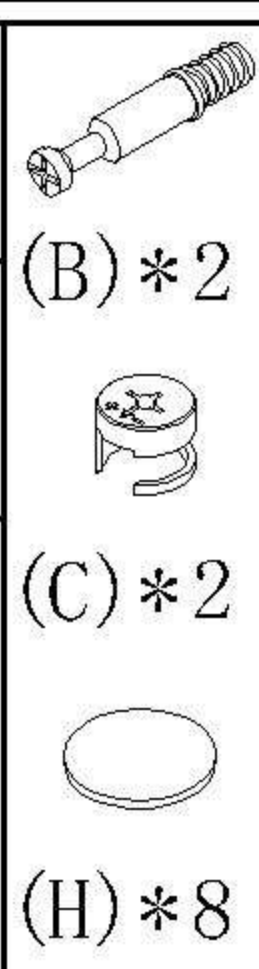
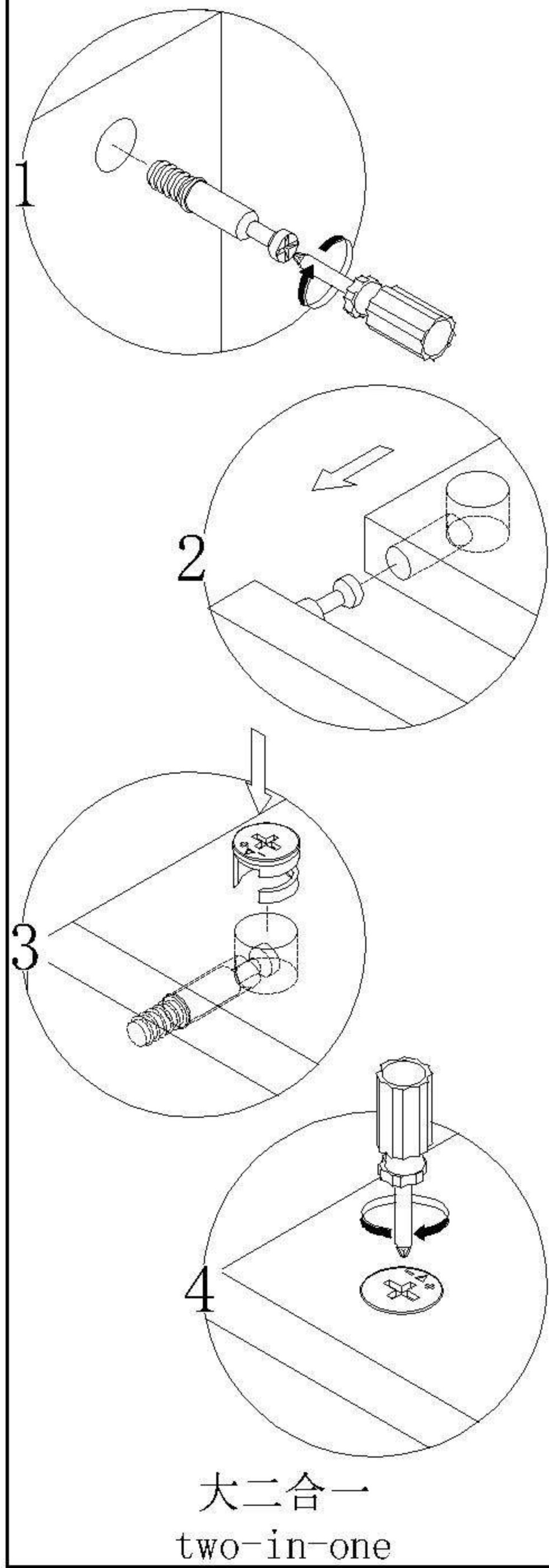
警告：门板与柜体有设计所需的开启间隙，小心夹伤
Warning: The door panel and the cabinet have the opening gap required by the design, beware of clamping



编号NO.	名称Name
①	右侧板Side board (R)
②	左侧板Side board (L)
③	顶板Top board
④	底板Bottom board
⑤	长活动层板Long movable shelf
⑥	短活动层板Short movable shelf
⑦	中侧板Middle side board
⑧	边背拉条Side back brace
⑨	长拉条Long brace
⑩	背板Back board
⑪	小背板Small back board
⑫	前脚条Front foot strip
⑬	中脚条Middle foot strip
⑭	左门板组立Door board assembly (L)
14-1	左门板Door board (L)
14-2	门板装饰条1 Door panel decorative strip 1
⑮	右门板组立Door board assembly (R)
15-1	右门板Door board (R)
15-2	门板装饰条1 Door panel decorative strip 1
15-3	门板装饰条2 Door panel decorative strip 2
15-4	门板装饰条3 Door panel decorative strip 3

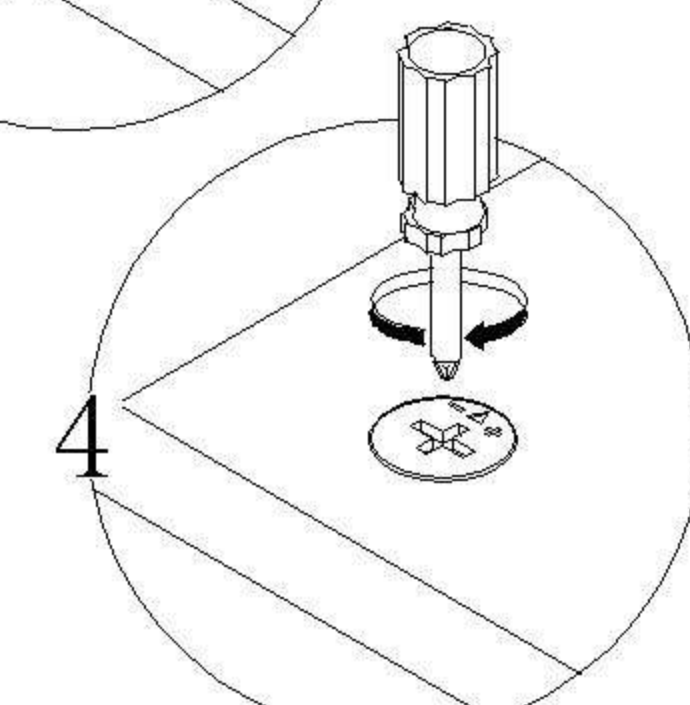
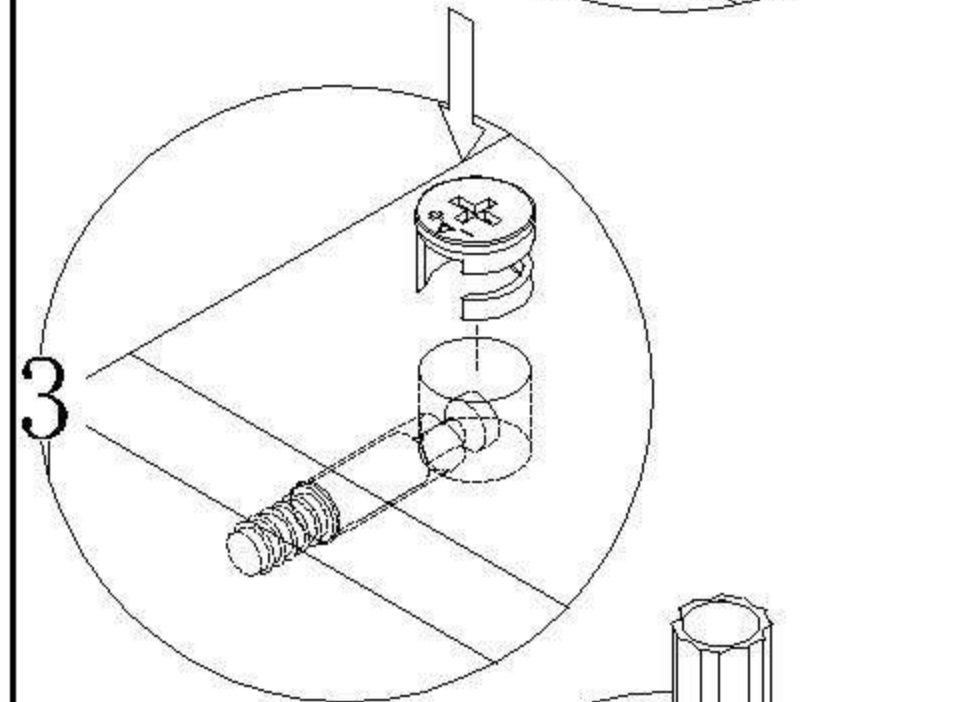
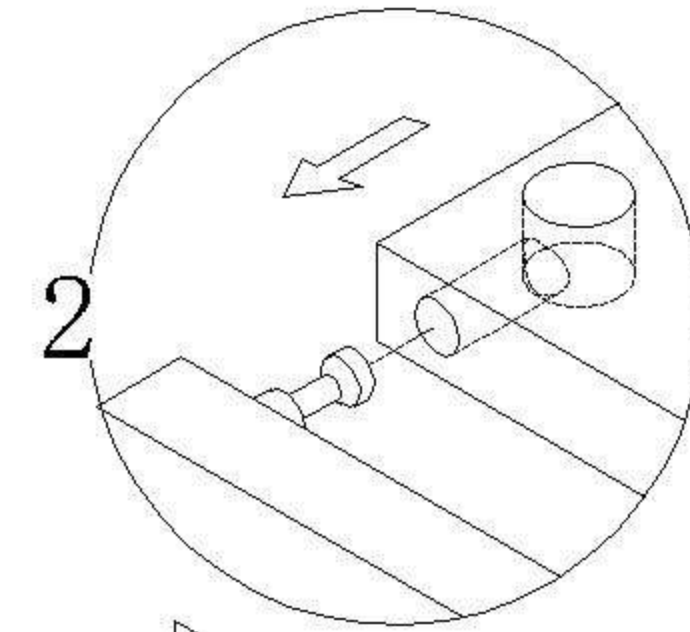
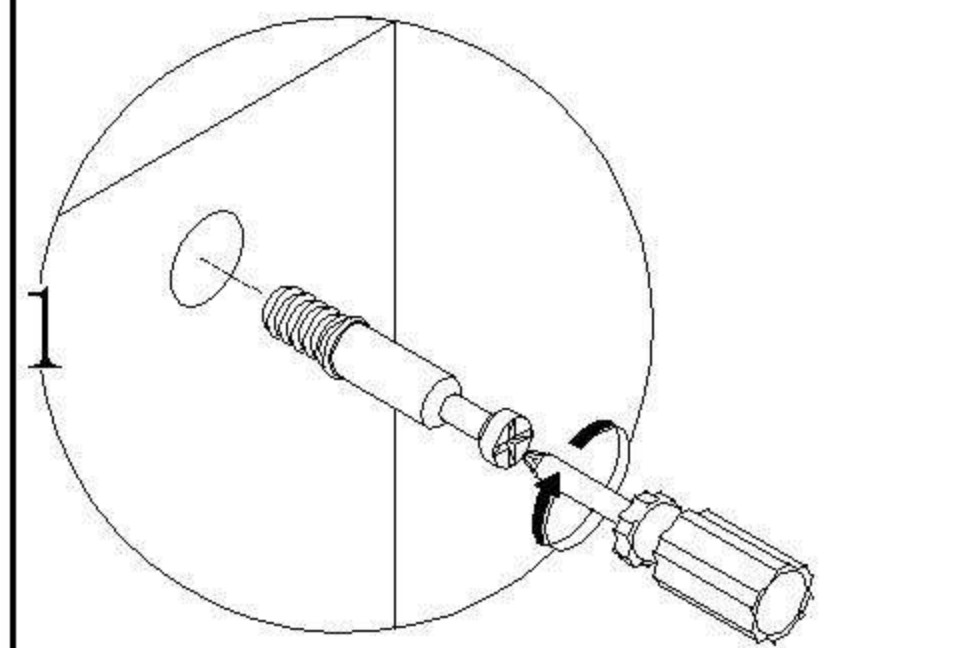
YZ1D-A 三门衣柜2.4m

安装方法/
Installation method

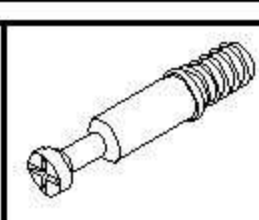


YZ1D-A 三门衣柜2.4m

安装方法/
Installation method



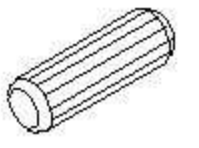
大二合一
two-in-one



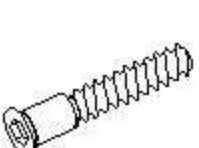
(B)*8



(C)*8



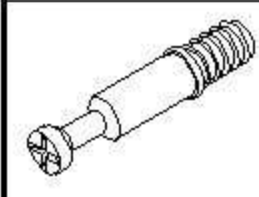
(D)*2



(K)*4



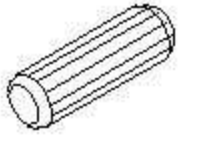
(L)*1



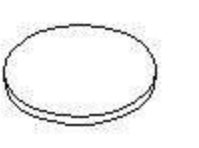
(B)*8



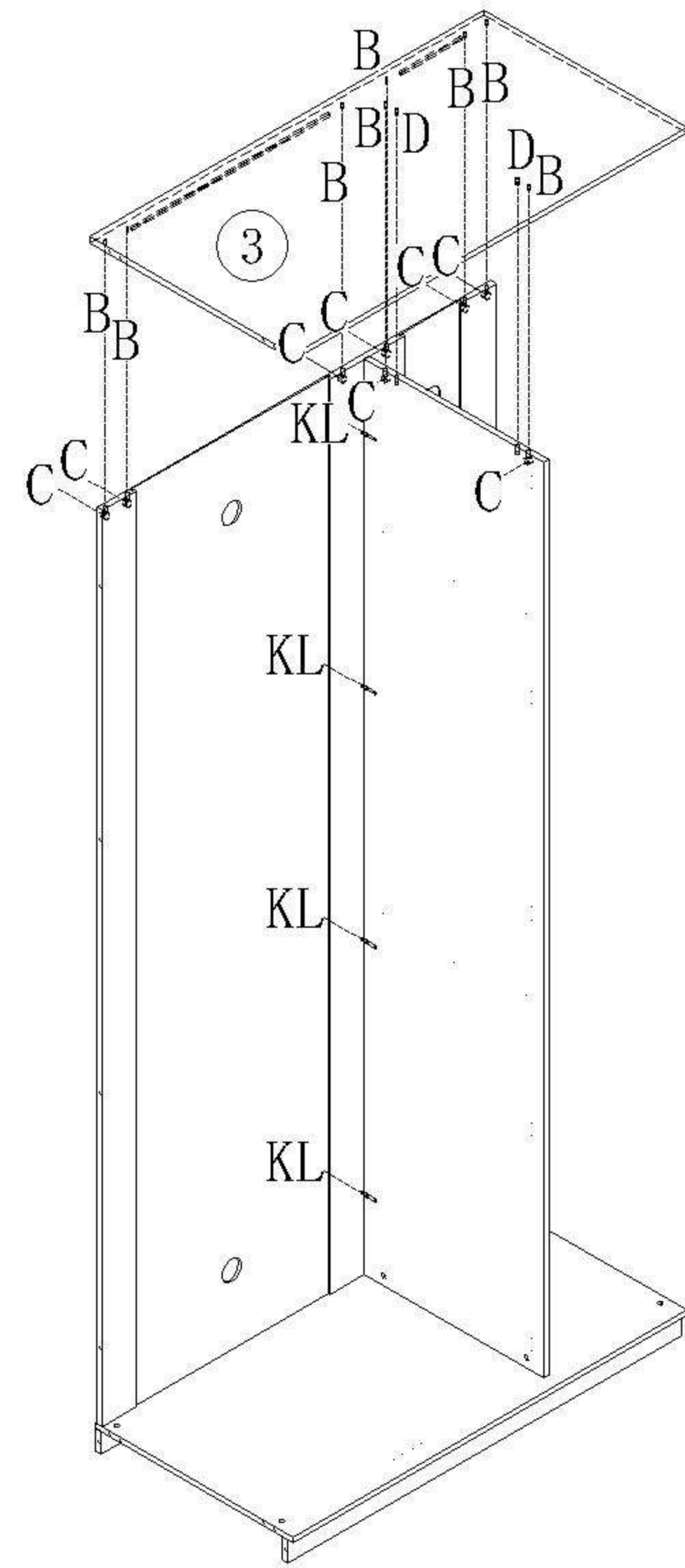
(C)*8



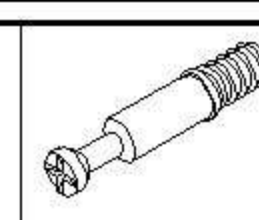
(D)*6



(H)*2



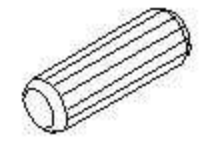
5



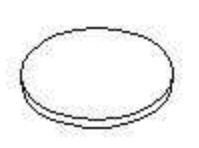
(B)*8



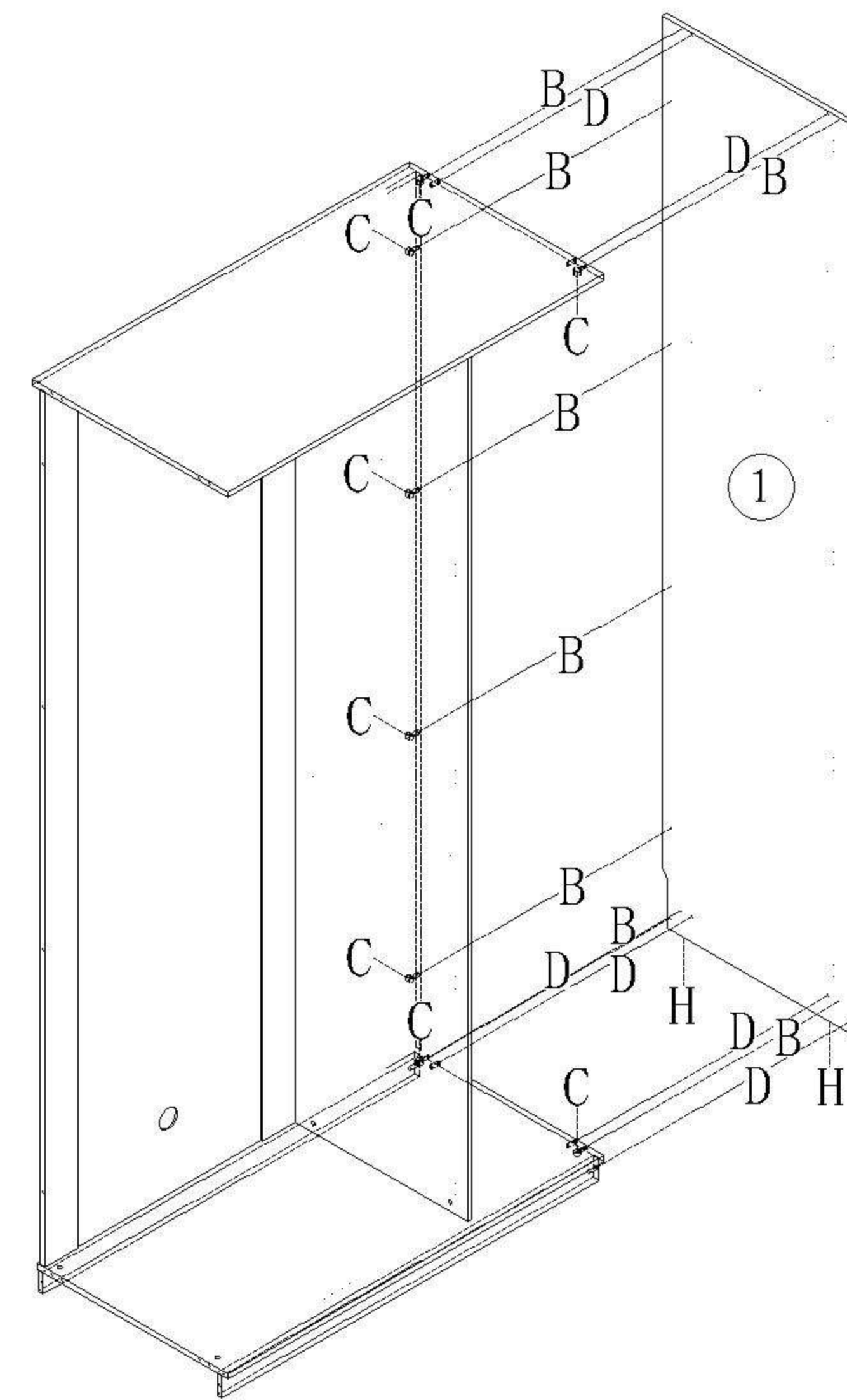
(C)*8



(D)*6

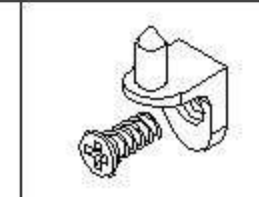


(H)*2

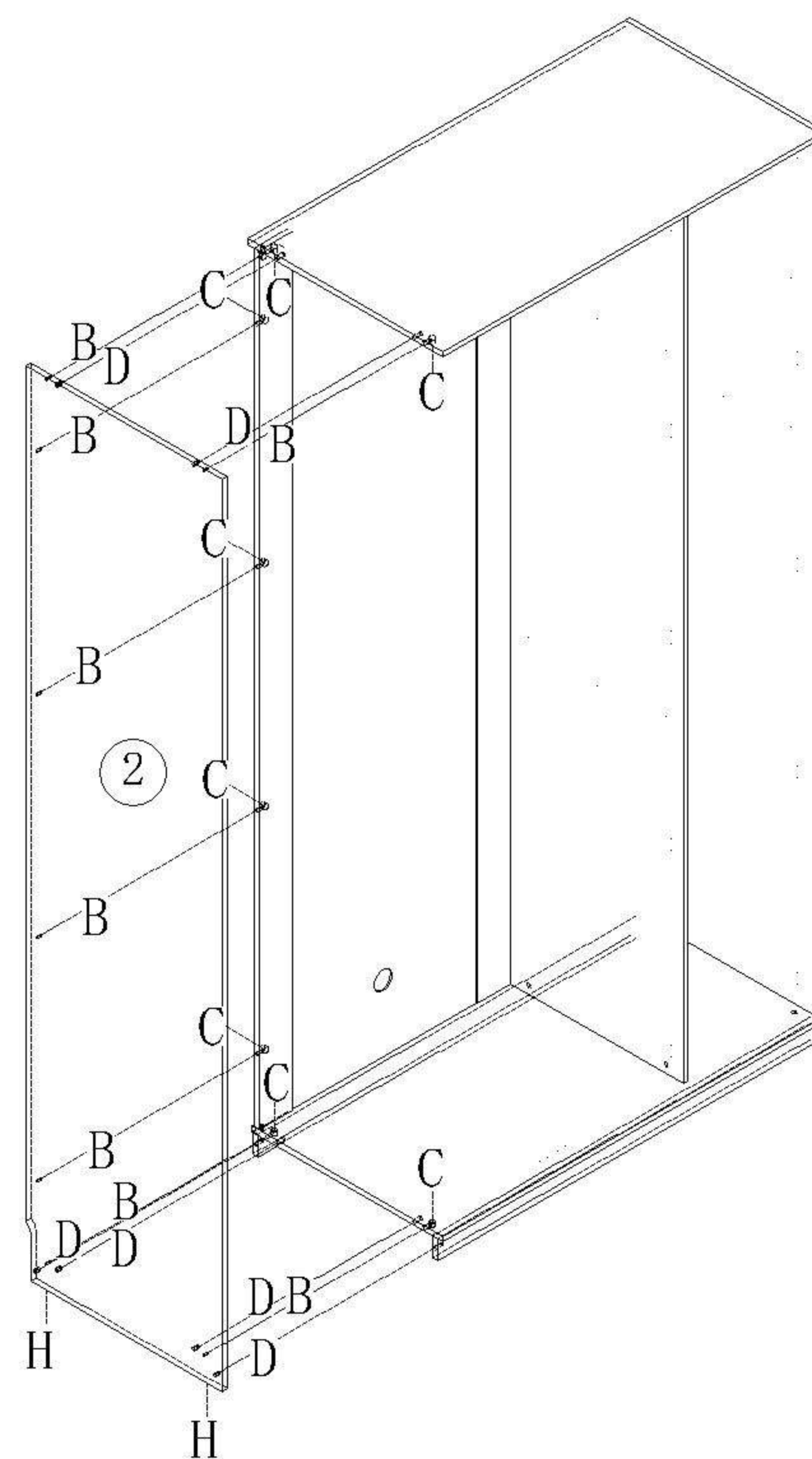


6

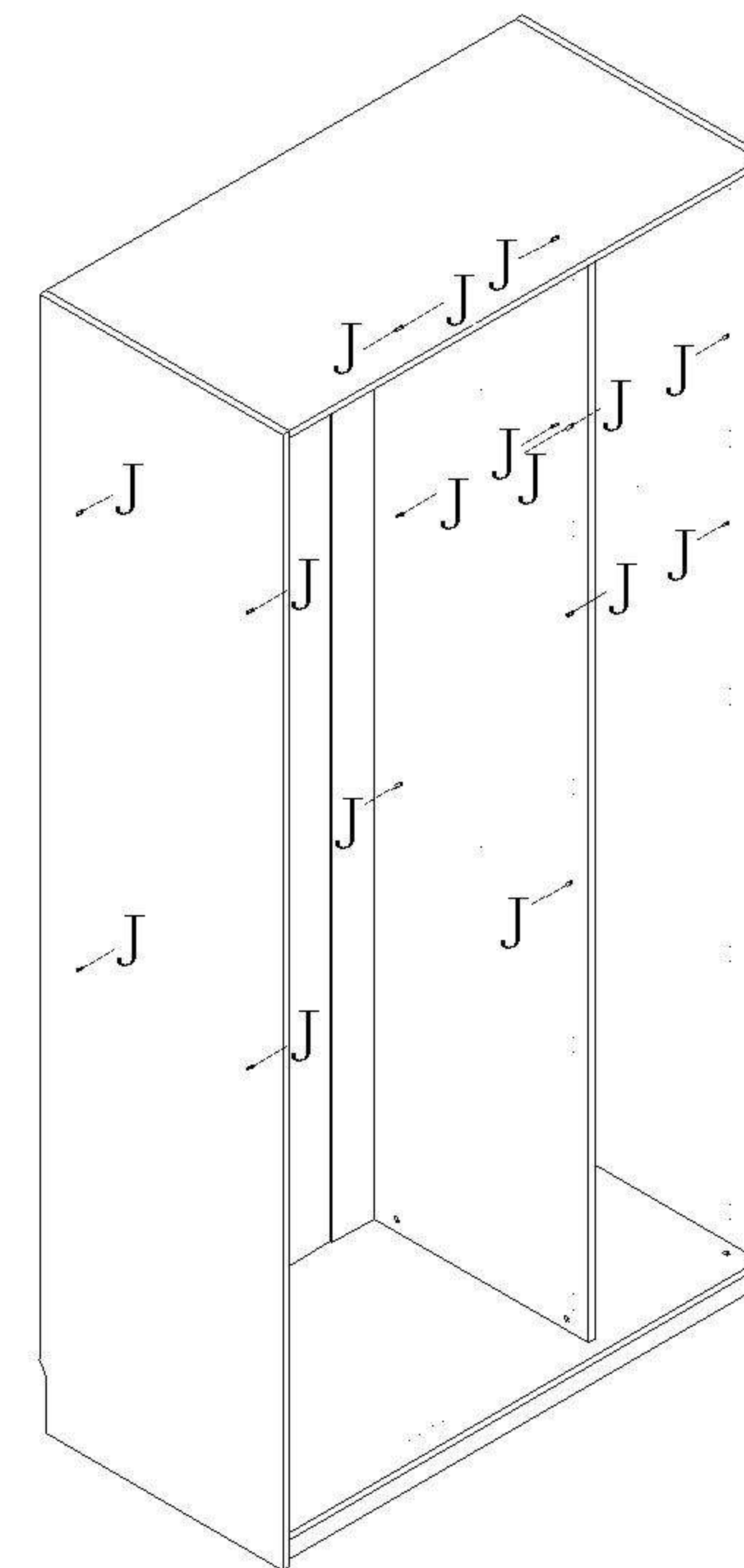
7



(J)*16



8



安装方法/
Installation method

大弯big bend

中弯middle bending

直弯straight bending

侧板 side board

门板 Door panel

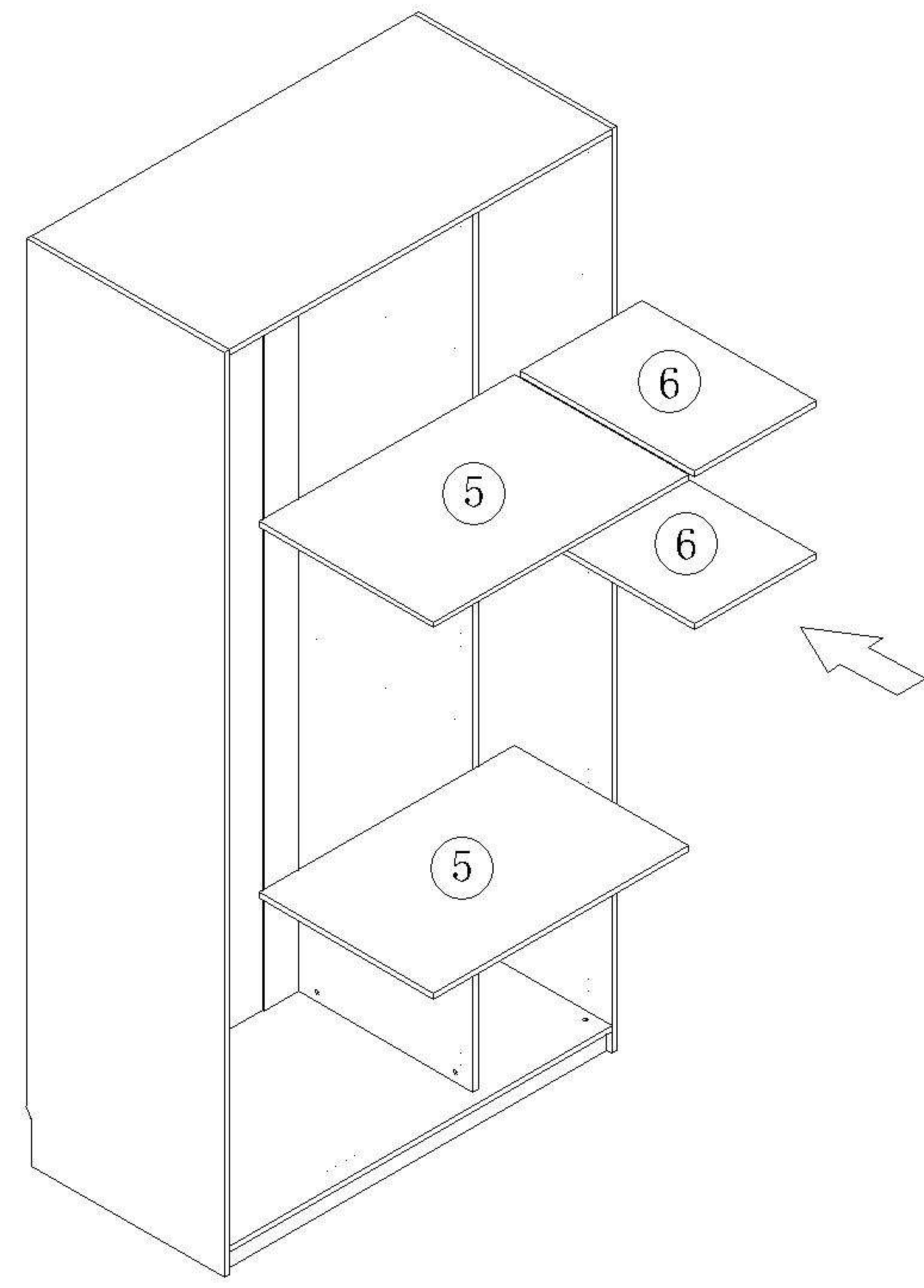
调节上下 Adjust up and down

调节左右 Adjust left and right

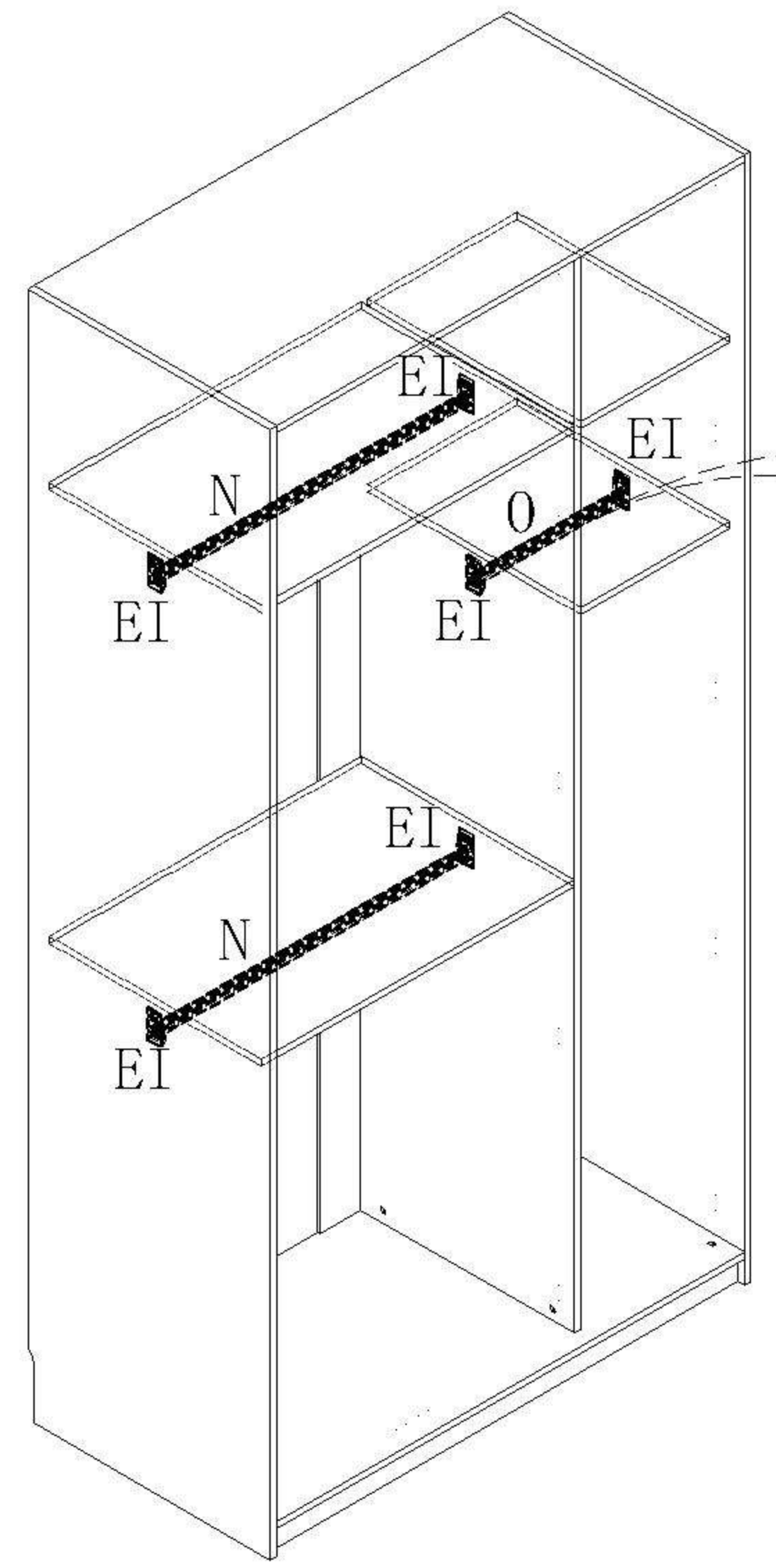
调节前后 Before and after adjustment

门铰 Hinge

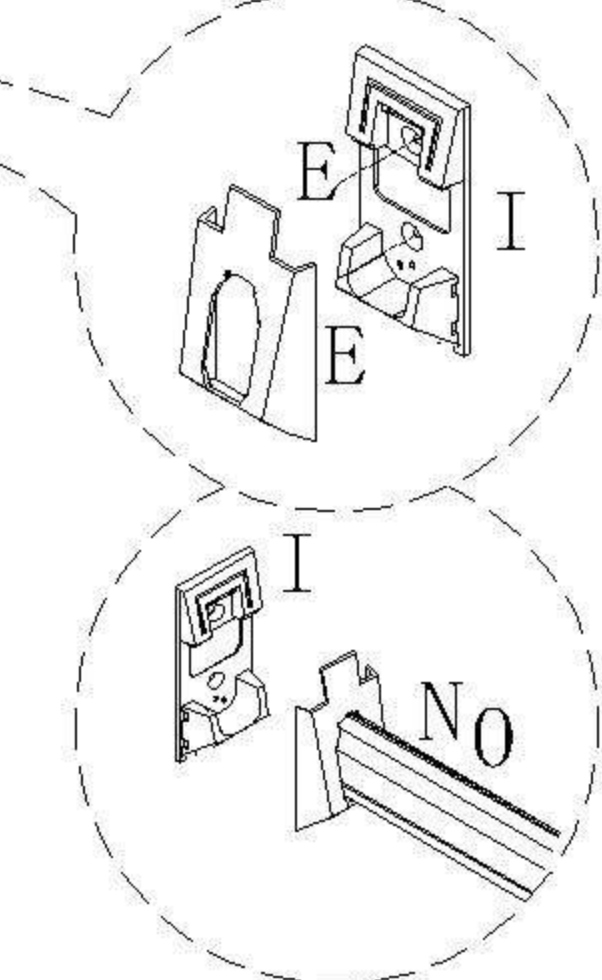
- (G)*15
- (M)*2



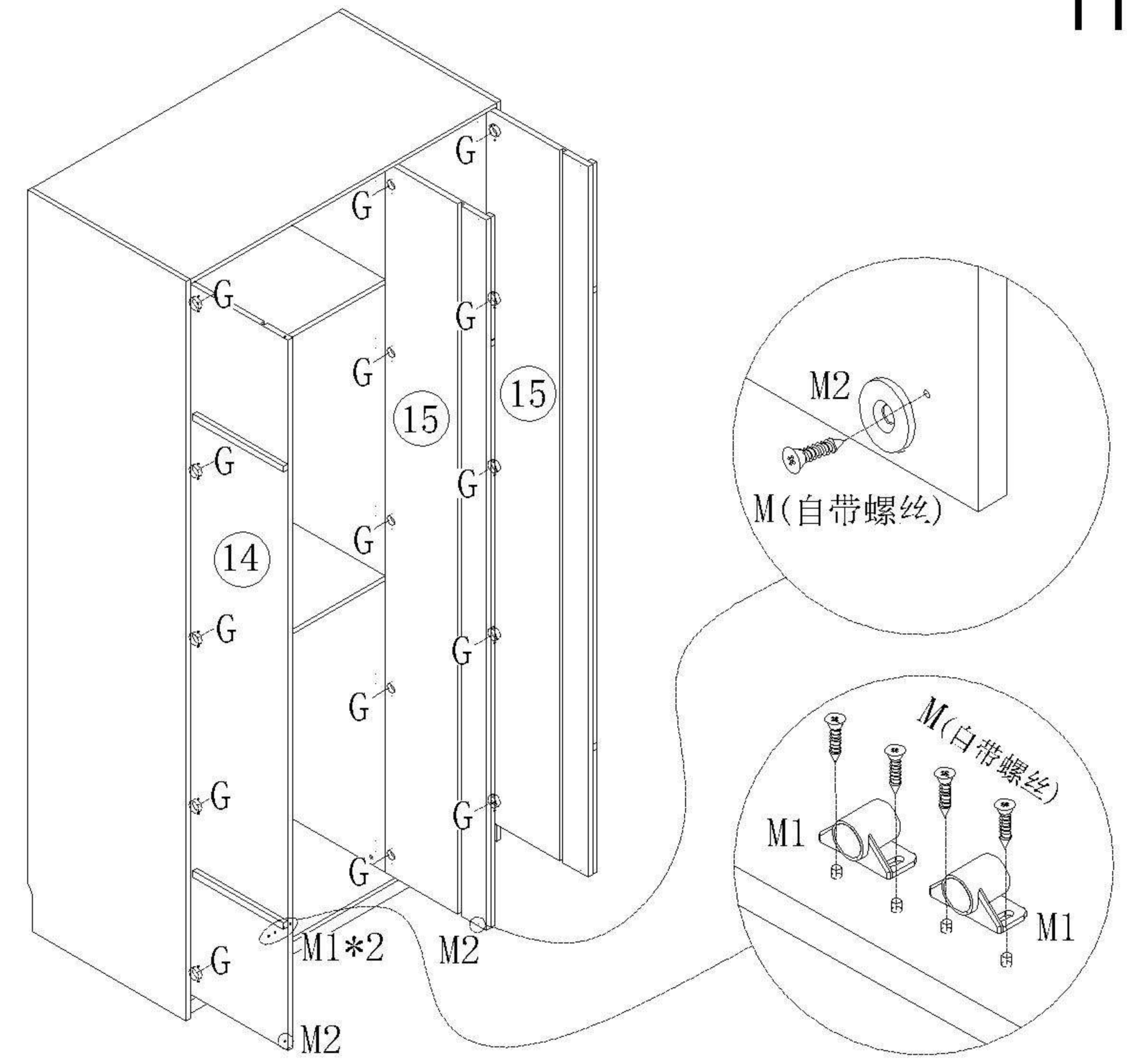
- 9
- (E)*12
 - (I)*6
 - (N)*2
 - (O)*1



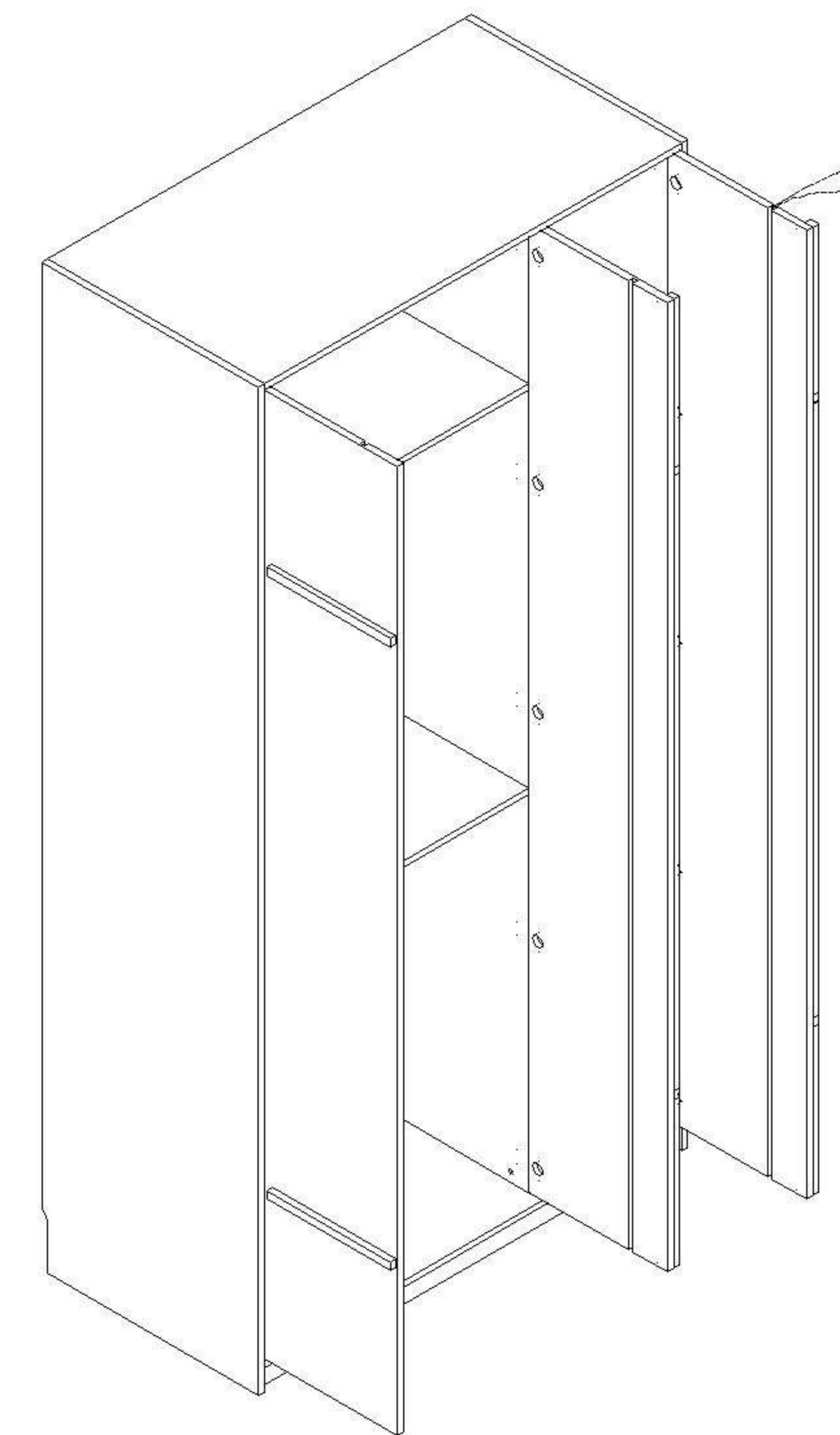
将五金I的盖子拆开再锁
Remove the cover of hardware I and lock it



将五金N、O套进五金I的盖子再盖在五金I的底座上
Put hardware N, O into the cover of hardware I and then cover the base of hardware I



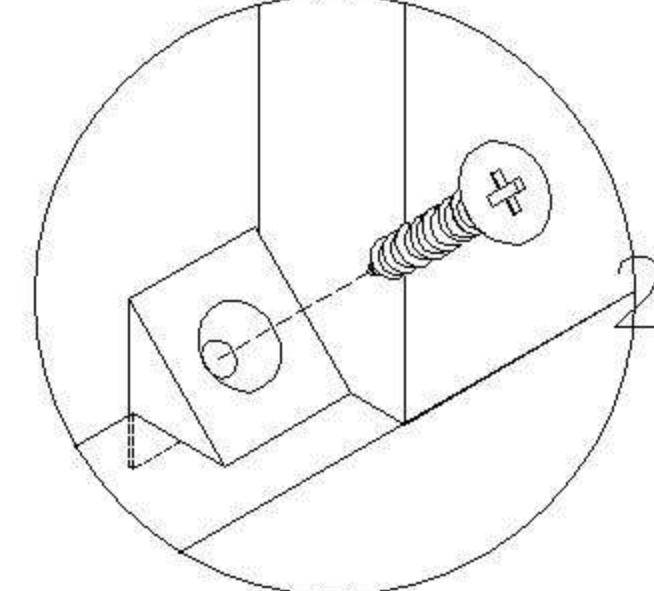
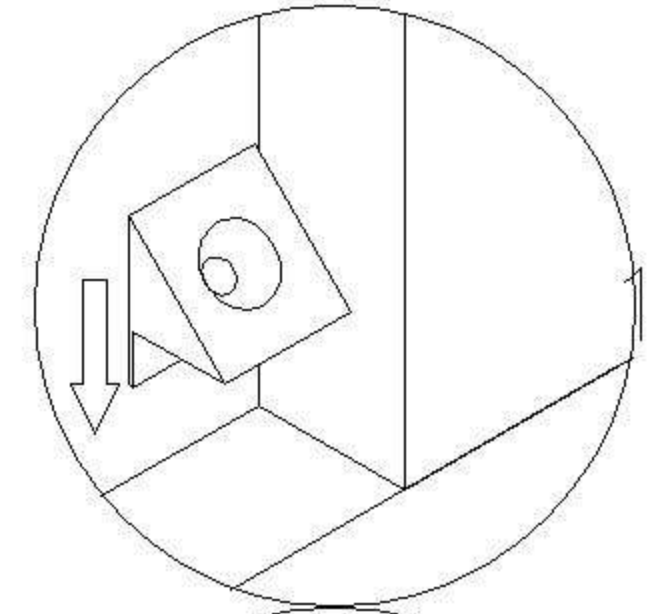
- 11
- (L)*1



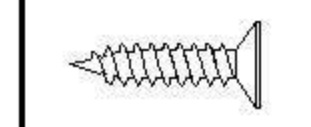
注意如门板弯曲可在此处用五金(L)调节
Pay attention to installing upwards. If the door panel is bent, it can be adjusted here with hardware (L)

YZ1D-A 三门衣柜2.4m

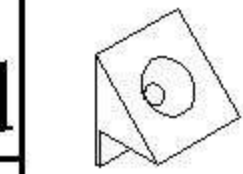
安装方法/
Installation method



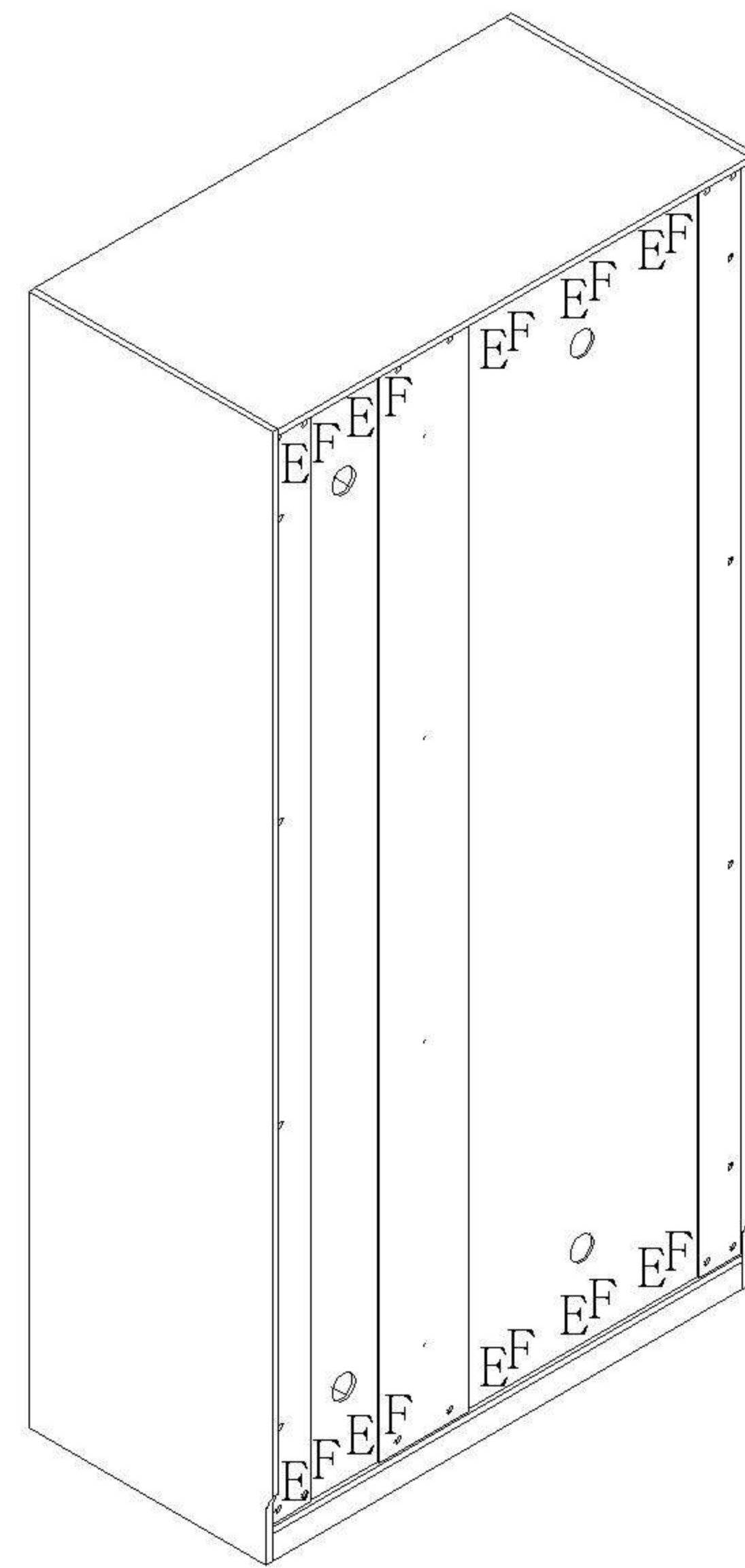
背板扣
Back Plate Buckle-White



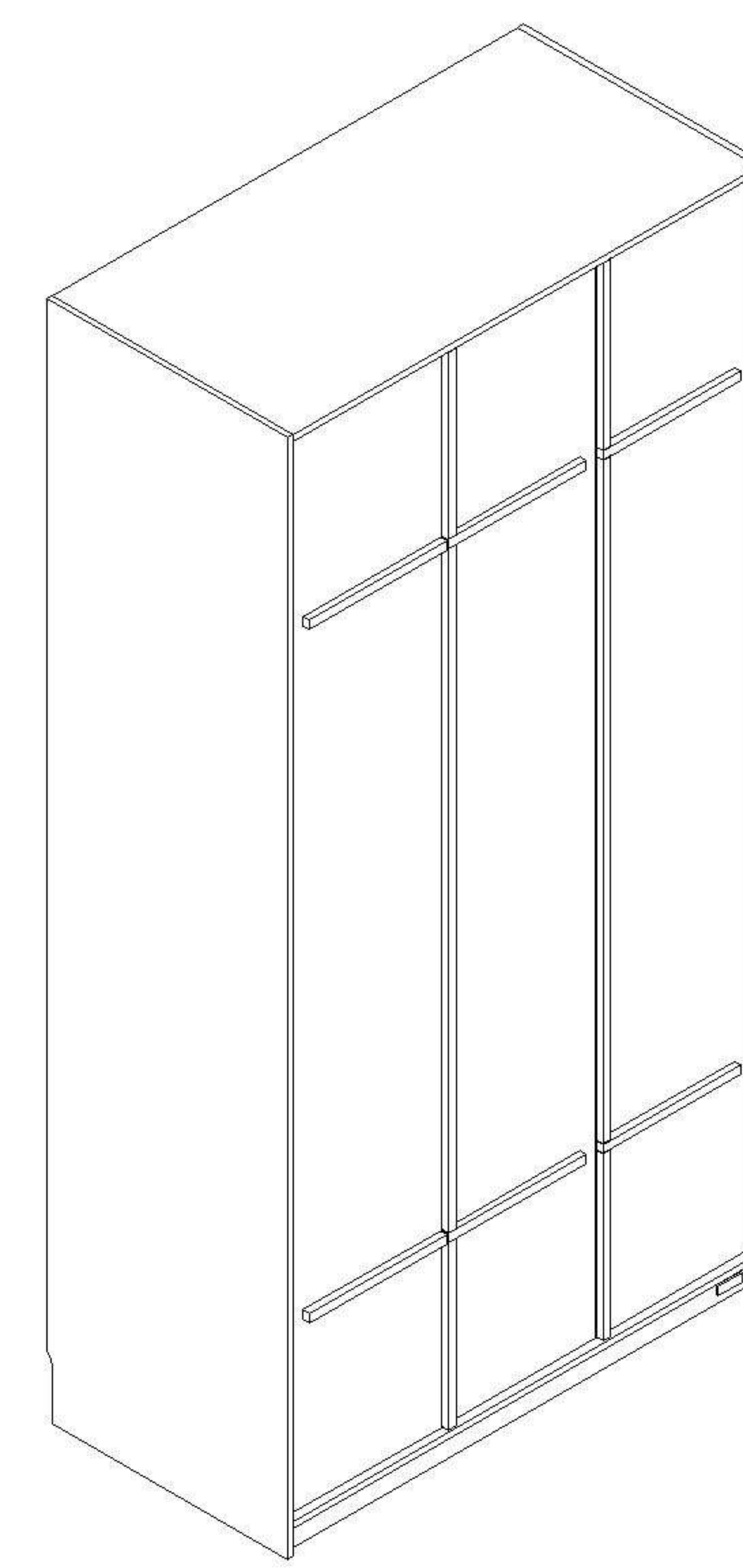
(E)*10



(F)*10



13



14