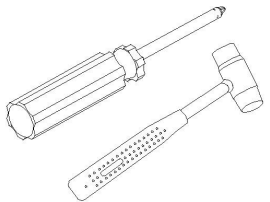
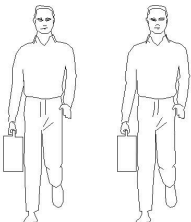


LINSY 林氏家居

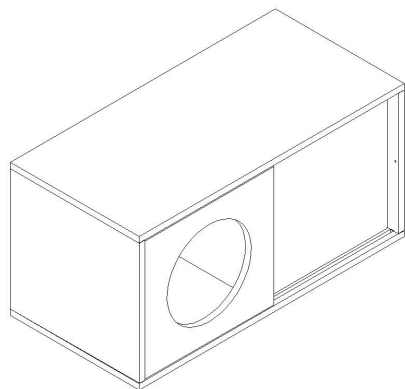
五金表/Hardware list

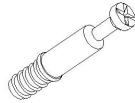

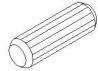


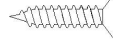

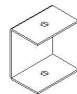
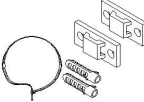
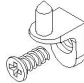
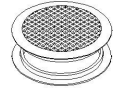
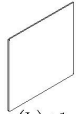


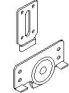

部件表/Parts List

安装示意图/Assembly Instruction

产品名称 Model NO.	KQ9E-C
产品规格 Specification	720*350*363mm
安装工具 Tool	安装人数 Installer
	

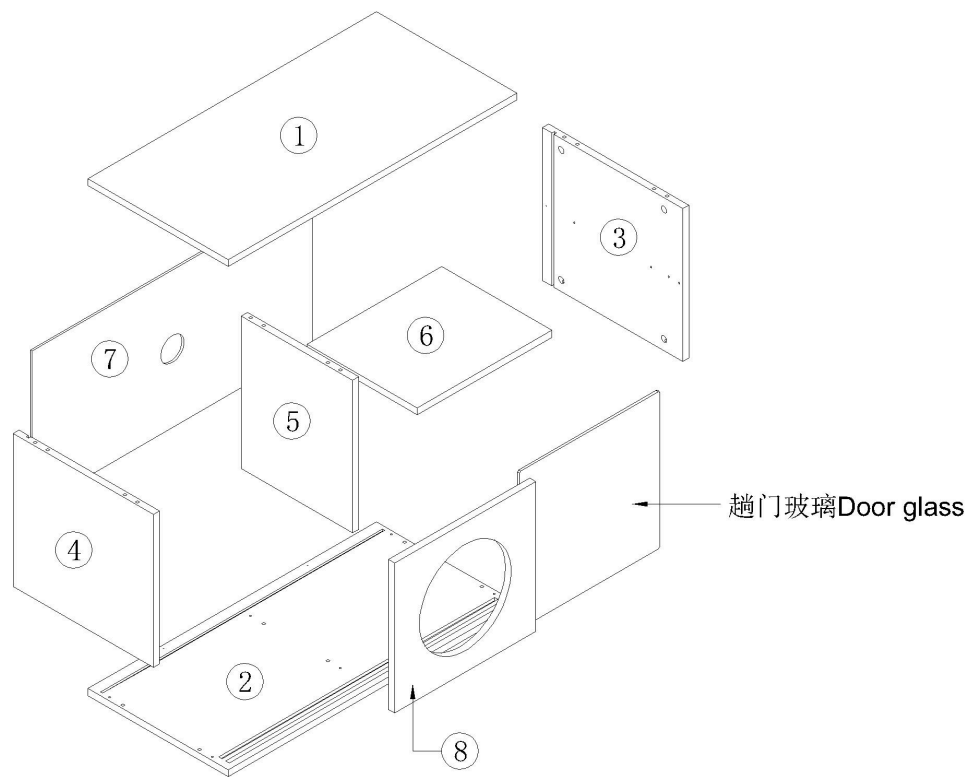
注：为保证设计效果，部分尺寸为定制尺寸，不影响使用。



 (A)*13 二合一螺杆 2-in-1-screw	 (B)*13 大三合一锁饼 3-in-1 large lock	 (C)*13 木榫Ø8x30mm Wood tenon	 (D)*4 灰色毛毡垫 Foot pad
 (E)*23 自攻螺丝M3.5*12mm Tapping screw	 (F)*6 自攻螺丝M3.5*16mm Tapping screw	 (G)*6 背板扣 White buckle	 (H)*2 U型卡扣 U-shaped buckle
 (I)*1 家具防倒器-白色 Anti-fall device	 (J)*4 层板托5mm shelf support	 (K)*1 透气孔盖-白色 Breathable cover	 (L)*1 趟门玻璃Door glass
 (M)*2 垫片M5 Gasket	 (N)4 防撞孔塞 Anti-collision plug	 (O)*2 趟门轮 Gate wheel	 (P)*13 PVC孔贴 PVC hole sticker

编号NO.	名称Name	规格(mm) Specification	数量QTY	材质Material
①	面板 Top panel	720*350*15	1	刨花板 Particle board
②	底板 Bottom board	720*350*15	1	刨花板 Particle board
③	右侧板 Side board (R)	330*350*15	1	刨花板 Particle board
④	左侧板 Side board (L)	330*350*15	1	刨花板 Particle board
⑤	中侧板 Middle side board	330*277*15	1	刨花板 Particle board
⑥	活动层板 Movable shelf	335.5*275*15	1	刨花板 Particle board
⑦	背板 Back board	698*340*5	1	纤维板 Fiberboard
⑧	趟门板 Door plank	352*324*15	1	纤维板 Fiberboard

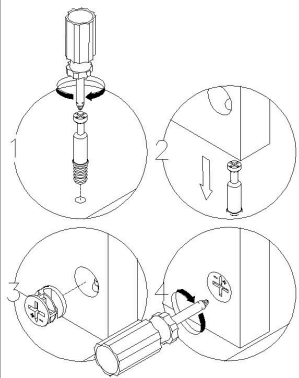
编号NO.	名称Name
①	面板 Top panel
②	底板 Bottom board
③	右侧板 Side board(R)
④	左侧板 Side board(L)
⑤	中侧板 Middle side board
⑥	活动层板 Movable shelf
⑦	背板 Back board
⑧	趟门板 Door plank



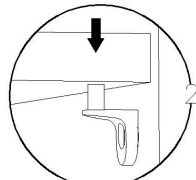
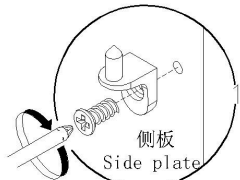
KQ9E-C

安装方法

Installation method

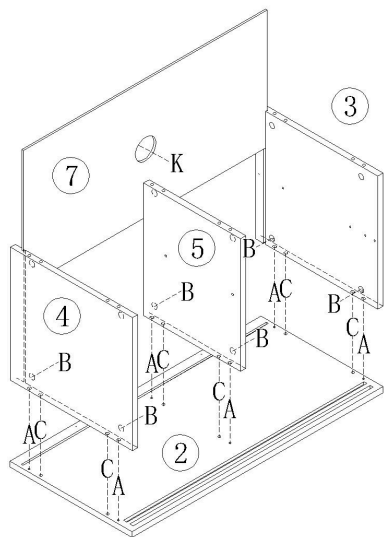


二合一 two-in-one

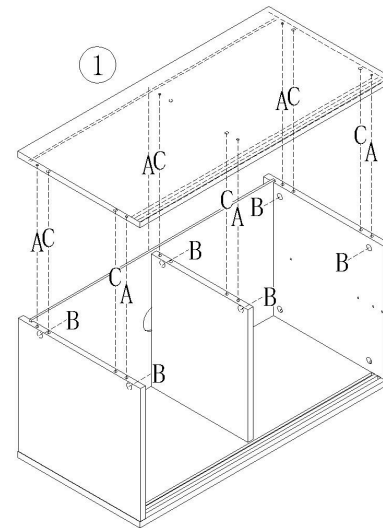


层板托5mm shelf support

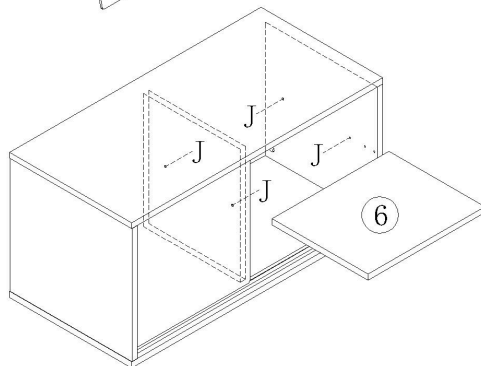
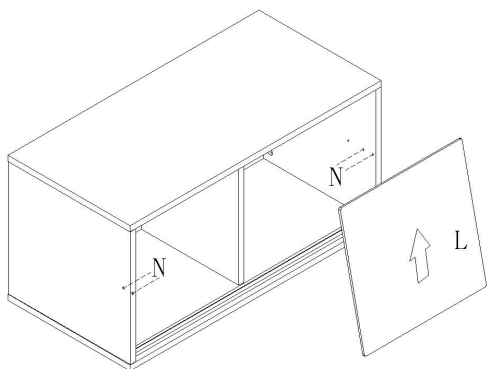
- (A)*6
- (B)*6
- (C)*6
- (K)*1



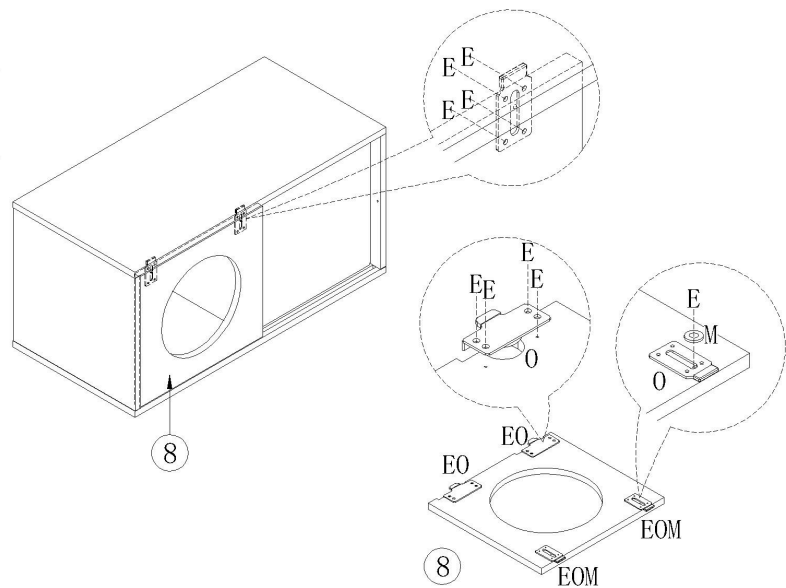
- (A)*6
- (B)*6
- (C)*6



- (L)*1
- (N)*4
- (J)*4



- (E)*18
- (O)*2
- (M)*2



KQ9E-C



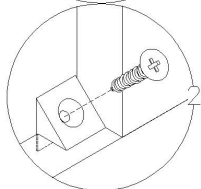
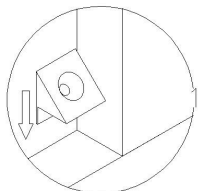
(F)*6



(G)*6

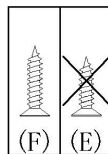
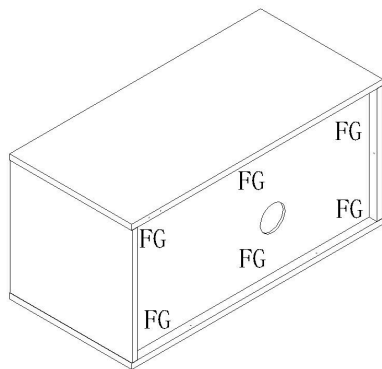
安装方法

Installation method



背板扣

Back Plate Buckle



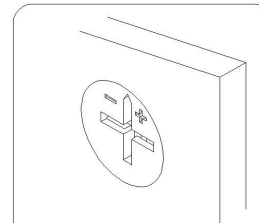
5

孔位贴使用小贴士

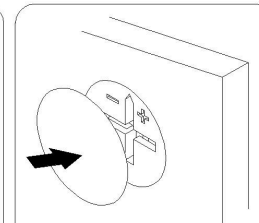
产品安装完成后请贴上孔贴，多出的孔贴请保管好

Tips for using hole stickers:

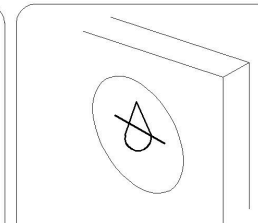
After the product installation is completed, please attach the hole stickers. Please keep any extra hole stickers safe



1、擦干净孔位
1, Clean the hole position thoroughly



2、贴上孔贴
2, Attach hole stickers

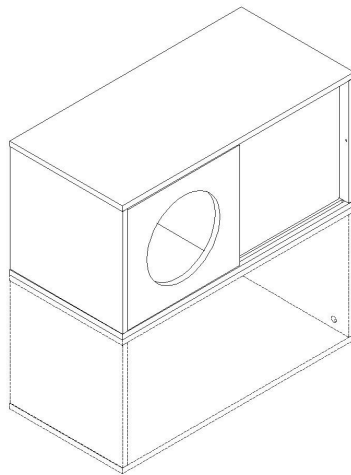


3、24小时内勿碰水
3, Do not touch water within 24 hours

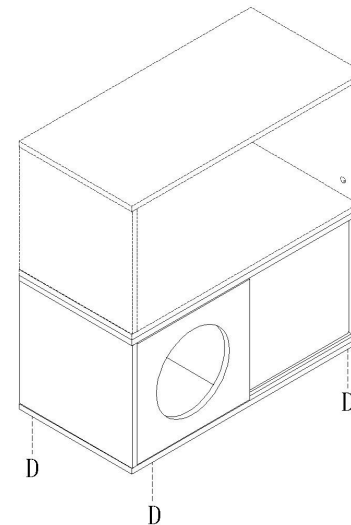
6



(D)*4



无接触地面不需安装五金(D)
No need to install hardware without touching the ground (D)





接触地面需安装五金(D)
Hardware installation required for contact with the ground (D)

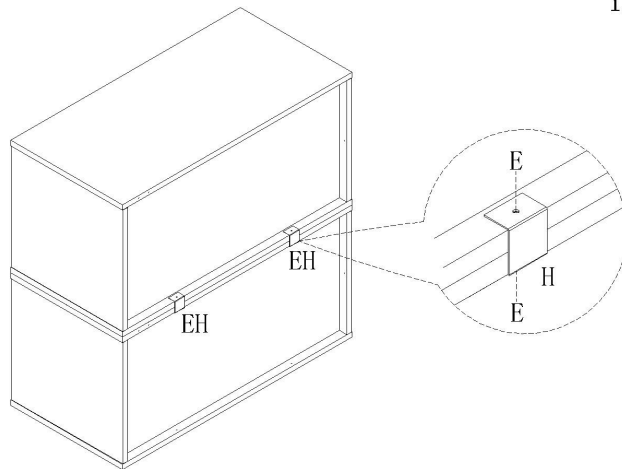
7

安装方法

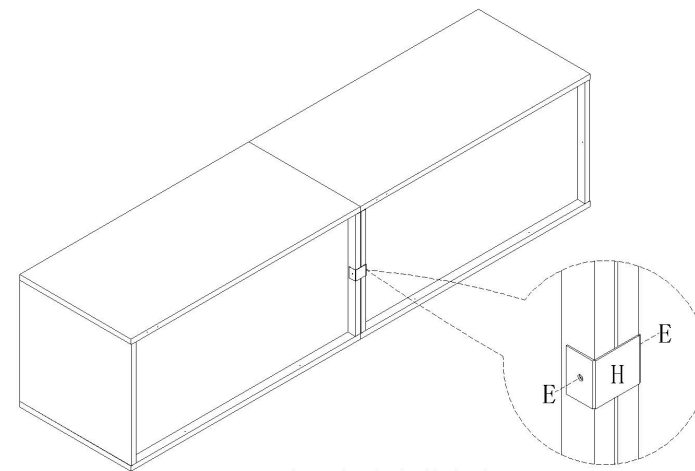
Installation method

-  (E)*4
-  (H)*2

组合连接方式, 如只购买单个柜体无需安装
 Combination connection method, such as purchasing only a single cabinet without installation

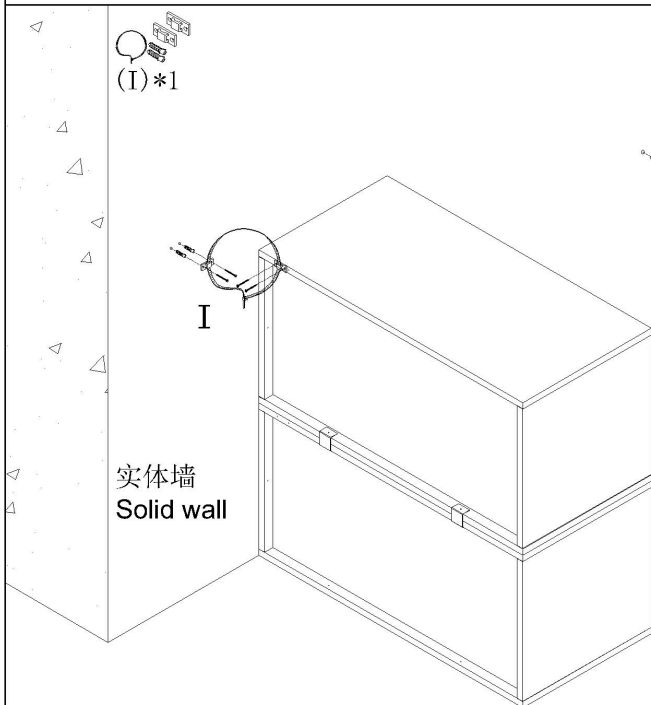


上下组合安装方式
 Upper and lower combination installation method

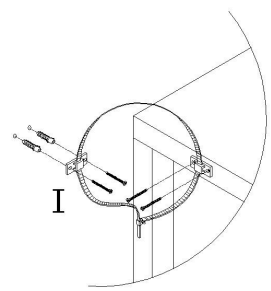


左右组合安装方式
 Left and right combination installation method

-  (I)*1



实体墙
 Solid wall



柜子组合高度超600mm
 需安装上防倒器
 Cabinet combination height exceeding 600mm requires installation of an anti fall device

