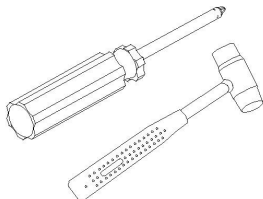
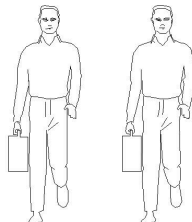


# LINSY 林氏家居

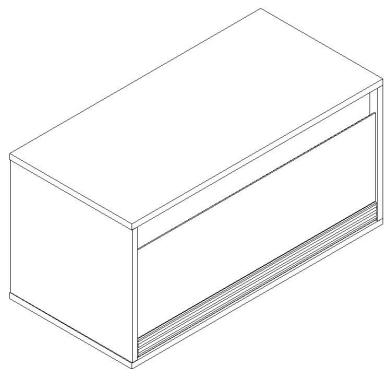
## 五金表/Hardware list

## 部件表/Parts List

### 安装示意图/Assembly Instruction

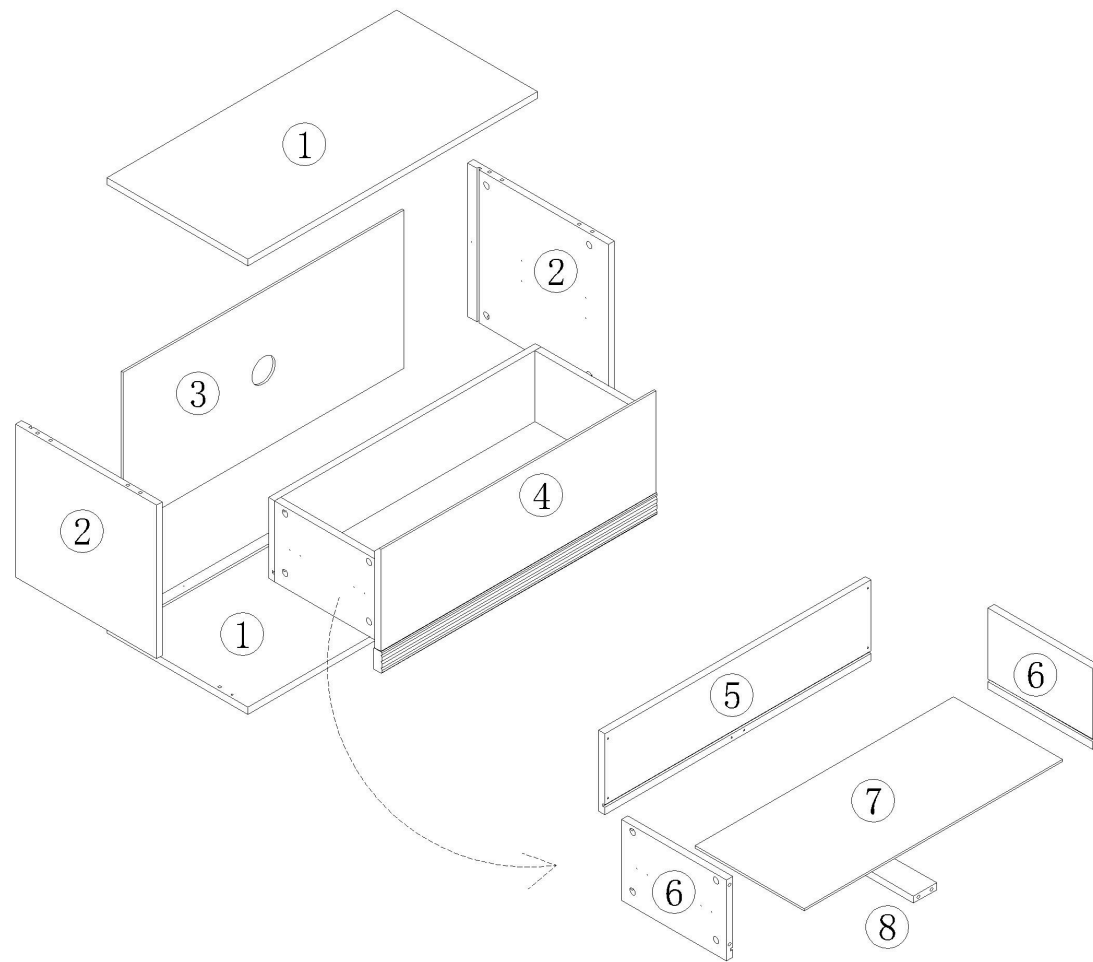
产品名称 Model NO.	KQ7E-C
产品规格 Specification	720*350*363mm
安装工具 Tool	安装人数 Installer
	

注：为保证设计效果，部分尺寸为定制尺寸，不影响使用。



 (A)*21 二合一螺杆 2-in-1-screw	 (B)*21 大三合一锁饼 3-in-1 large lock	 (C)*8 木榫Ø8x30mm Wood tenon	 (D)*4 灰色毛毡垫 Foot pad
 (E)*17 自攻螺丝M3.5*12mm Tapping screw	 (F)*9 自攻螺丝M3.5*16mm Tapping screw	 (G)*6 背板扣 White buckle	 (H)*2 U型卡扣 U-shaped buckle
 (I)*1 家具防倒器-白色 Anti-fall device	 (J)*1 三节滚珠导轨10" Three-section rail	 (K)*1 透气孔盖-白色 Breathable cover	 (L)*1 亚克力 Acrylic
 (M)*3 镜钉 Mirror nail	 (N)*21 PVC孔贴 PVC hole sticker		

编号NO.	名称Name	规格(mm) Specification	数量QTY	材质Material
①	顶底板Top base board	720*350*15	2	刨花板 Particle board
②	侧板Side board	330*350*15	2	刨花板 Particle board
③	背板Back board	698*340*5	1	纤维板 Fiberboard
④	抽屉面板组立 Drawer panels assembly	684*265*20	1	橡胶木+刨花板 Rubber wood+Particle board
⑤	抽屉后板 Drawer's Back board	662*174*15	1	刨花板 Particle board
⑥	抽屉侧板 Drawer's side board	260*174*15	2	刨花板 Particle board
⑦	抽屉底板 Drawer's Bottom board	642*270*5	1	纤维板 Fiberboard
⑧	抽屉底托条 Drawer's bottom bracket	260*58*15	1	刨花板 Particle board

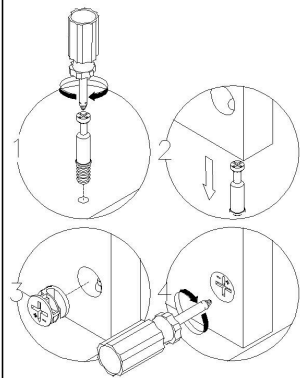


编号NO.	名称Name
①	顶底板Top base board
②	侧板Side board
③	背板Back board
④	抽屉面板组立 Drawer panels assembly
⑤	抽屉后板 Drawer's Back board
⑥	抽屉侧板 Drawer's side board
⑦	抽屉底板 Drawer's Bottom board
⑧	抽屉底托条 Drawer's bottom bracket

KQ7E-C

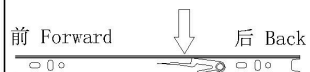
# 安装方法

## Installation method

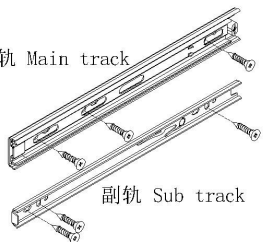


二合一 two-in-one

阀门开关(下压为开)  
Valve switch (press down to open)

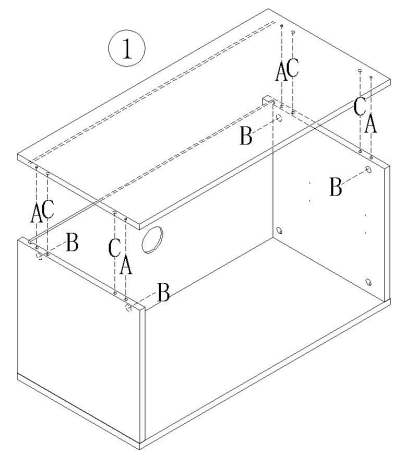
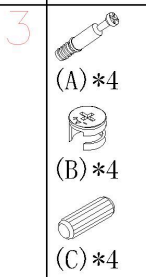
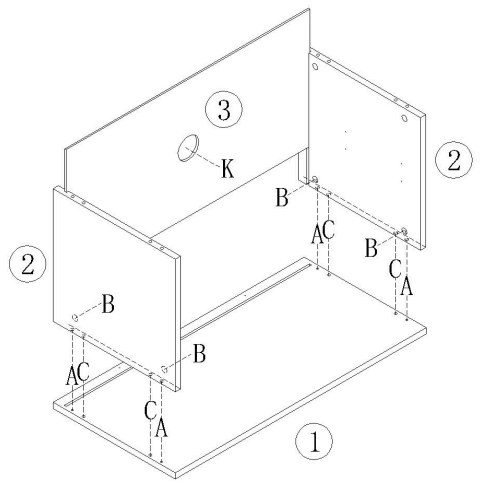
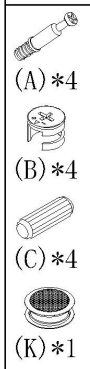
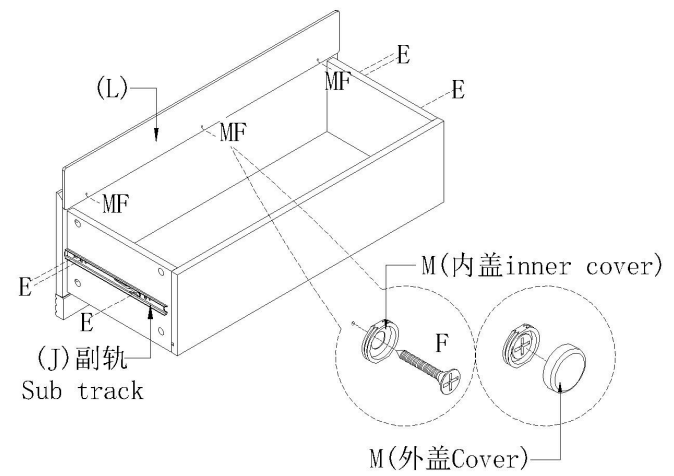
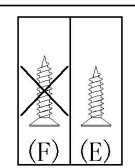
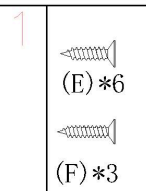
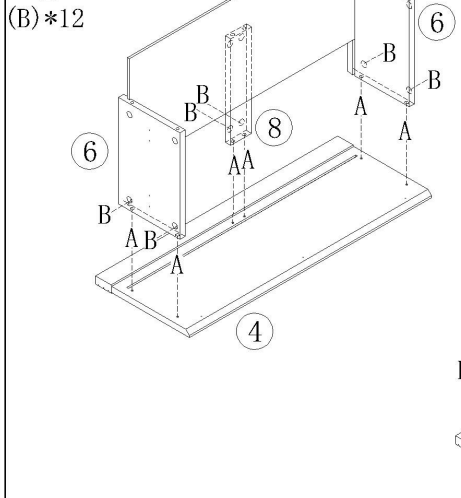
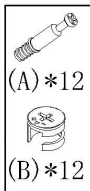


主轨 Main track



副轨 Sub track

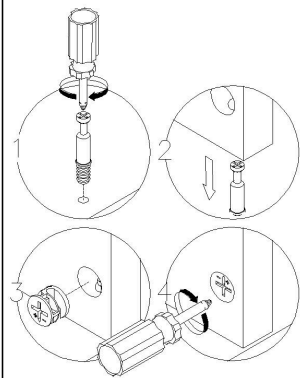
三节滚珠导轨-10"  
Three-section rail



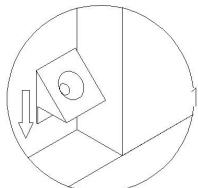
KQ7E-C

# 安装方法

## Installation method



二合一 two-in-one



背板扣

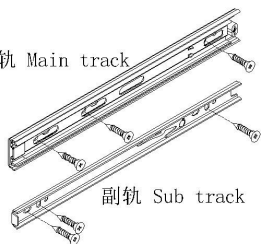
Back Plate Buckle

阀门开关(下压为开)  
Valve switch (press down to open)

前 Forward      后 Back



主轨 Main track

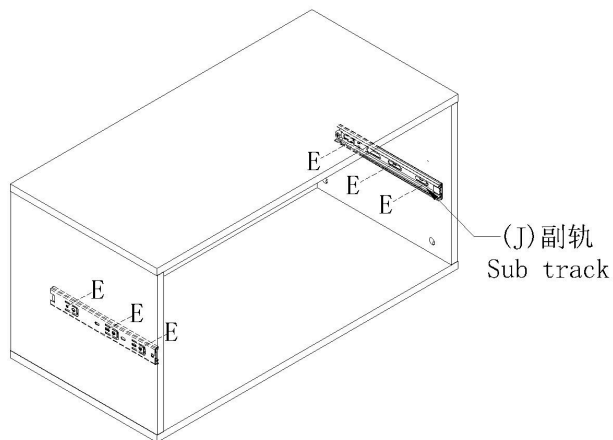


副轨 Sub track

三节滚珠导轨-10"  
Three-section rail

(E)\*6

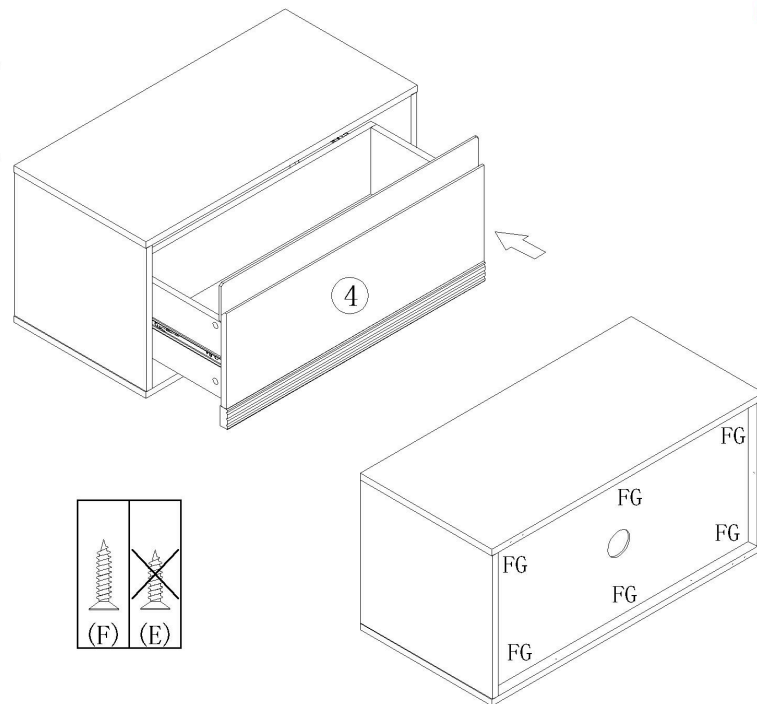
(J)\*1



5

(F)\*6

(G)\*6



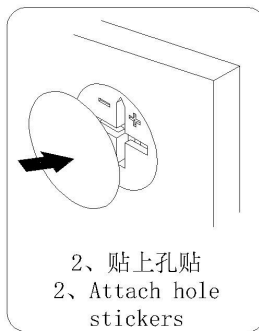
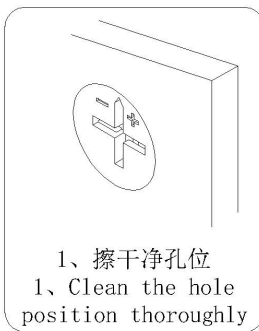
7

### 孔位贴使用小贴士

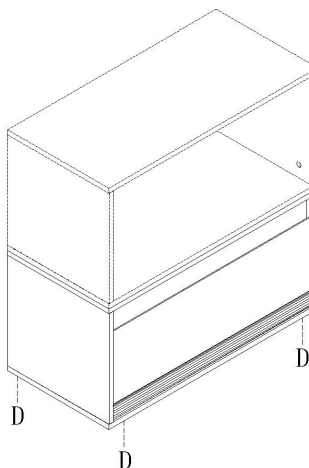
产品安装完成后请贴上孔贴，多出的孔贴请保管好

Tips for using hole stickers:

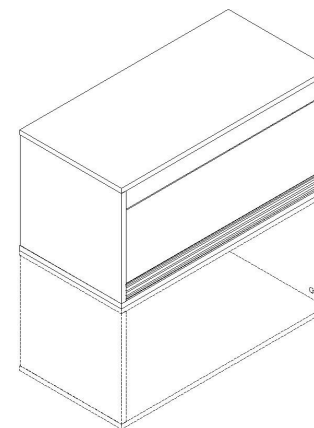
After the product installation is completed, please attach the hole stickers. Please keep any extra hole stickers safe



(D)\*4



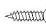

接触地面需安装五金(D)  
Hardware installation required for contact with the ground (D)



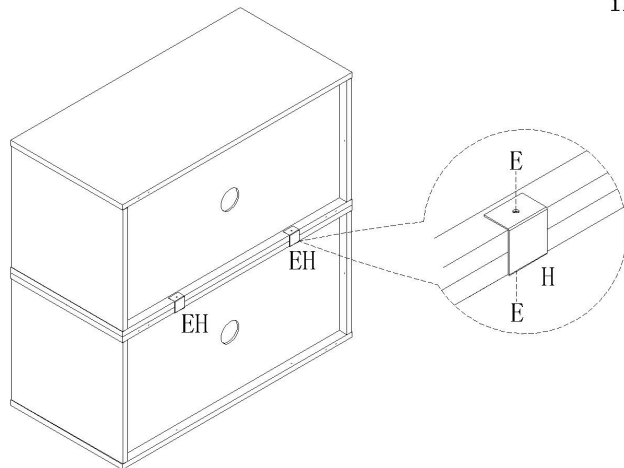
无接触地面不需安装五金(D)  
No need to install hardware without touching the ground (D)

# 安装方法

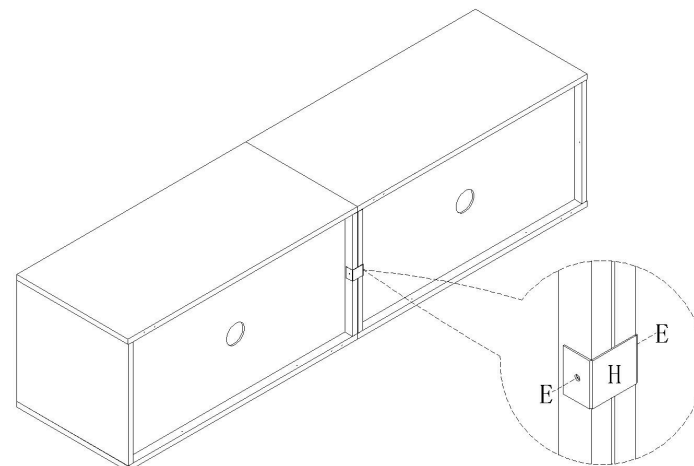
## Installation method

-  (E)\*4
-  (H)\*2

组合连接方式, 如只购买单个柜体无需安装  
 Combination connection method, such as purchasing only a single cabinet without installation

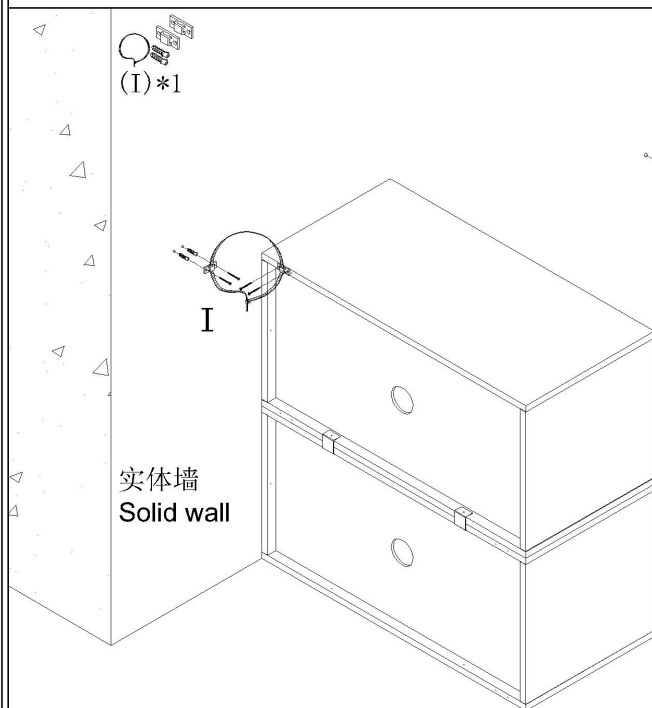


上下组合安装方式  
 Upper and lower combination installation method



左右组合安装方式  
 Left and right combination installation method

-  (I)\*1



实体墙  
 Solid wall

柜子组合高度超600mm  
 需安装上防倒器  
 Cabinet combination height exceeding 600mm requires installation of an anti fall device

