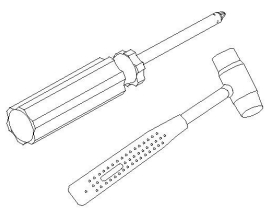
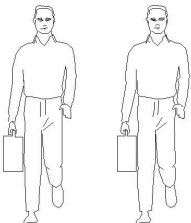


LINSY 林氏家居

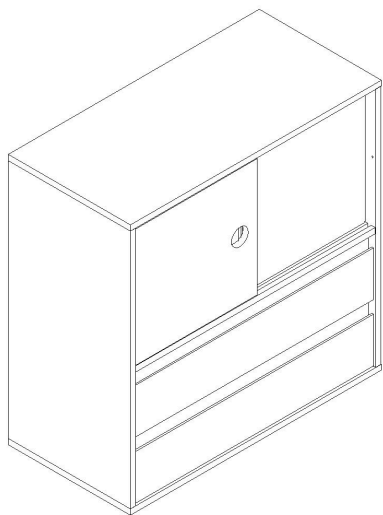
五金表/Hardware list

部件表/Parts List

安装示意图/Assembly Instruction

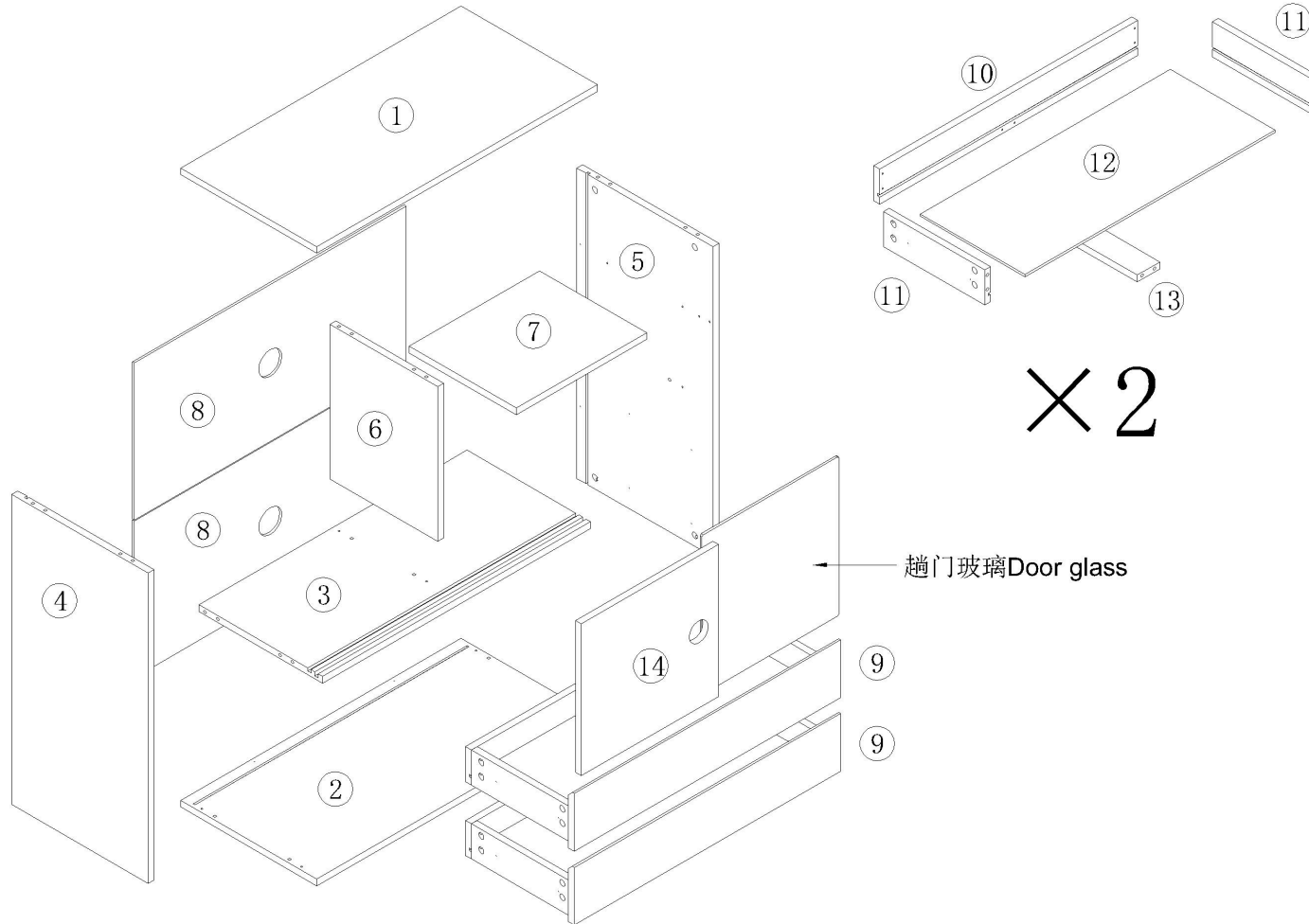
产品名称 Model NO.	KQ10E-C
产品规格 Specification	720*350*723mm
安装工具 Tool	安装人数 Installer
	

注：为保证设计效果，部分尺寸为定制尺寸，不影响使用。



 (A)*42 二合一螺杆 2-in-1-screw	 (B)*42 大三合一锁饼 3-in-1 large lock	 (C)*17 木榫Ø8x30mm Wood tenon	 (D)*4 灰色毛毡垫 Foot pad
 (E)*48 自攻螺丝M3.5*12mm Tapping screw	 (F)*17 自攻螺丝M3.5*16mm Tapping screw	 (G)*11 背板扣 White buckle	 (H)*2 U型卡扣 U-shaped buckle
 (I)*1 家具防倒器-白色 Anti-fall device	 (J)*2 三节滚珠导轨10" Three-section rail	 (K)*2 透气孔盖-白色 Breathable cover	 (L)*2 亚克力 Acrylic
 (M)*6 镜钉 Mirror nail	 (N)4 防撞孔塞 Anti-collision plug	 (O)*2 趟门轮 Gate wheel	 (P)*2 垫片M5 Gasket
 (Q)*1 夹板条 Splint strip	 (R)*1 趟门玻璃Door glass	 (S)*4 层板托5mm shelf support	 (T)*42 PVC孔贴 PVC hole sticker

编号NO.	名称Name	规格(mm) Specification	数量QTY	材质Material
①	面板Top panel	720*350*15	1	刨花板 Particle board
②	底板Bottom board	720*350*15	1	刨花板 Particle board
③	层板Shelf	688*318*15	1	刨花板 Particle board
④	左侧板Side board(L)	690*350*15	1	刨花板 Particle board
⑤	右侧板Side board(R)	690*350*15	1	刨花板 Particle board
⑥	中侧板Middle side board	344*277*15	1	刨花板 Particle board
⑦	活动层板Movable shelf	335.5*275*15	1	刨花板 Particle board
⑧	背板Back board	698*349*5	2	纤维板 Fiberboard
⑨	抽屉面板 Drawer's top panel	684*128*15	2	刨花板 Particle board
⑩	抽屉后板 Drawer's Back board	662*78*15	2	刨花板 Particle board
⑪	抽屉侧板 Drawer's sideboard	260*78*15	4	刨花板 Particle board
⑫	抽屉底板 Drawer's Bottom board	642*270*5	2	纤维板 Fiberboard
⑬	抽屉底托条 Drawer's bottom bracket	260*58*15	2	刨花板 Particle board
⑭	趟门板Door plank	352*338*15	1	纤维板 Fiberboard

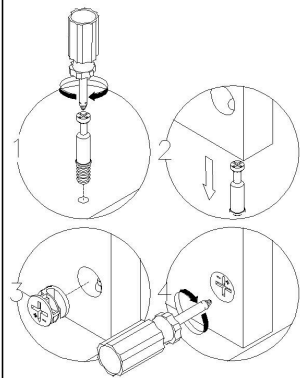


编号NO.	名称Name
①	面板Top panel
②	底板Bottom board
③	层板Shelf
④	左侧板Side board(L)
⑤	右侧板Side board(R)
⑥	中侧板Middle side board
⑦	活动层板Movable shelf
⑧	背板Back board
⑨	抽屉面板 Drawer's top panel
⑩	抽屉后板 Drawer's Back board
⑪	抽屉侧板 Drawer's sideboard
⑫	抽屉底板 Drawer's Bottom board
⑬	抽屉底托条 Drawer's bottom bracket
⑭	趟门板Door plank

KQ10E-C

安装方法

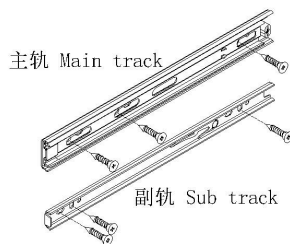
Installation method



二合一 two-in-one

阀门开关 (下压为开)
Valve switch (press down to open)

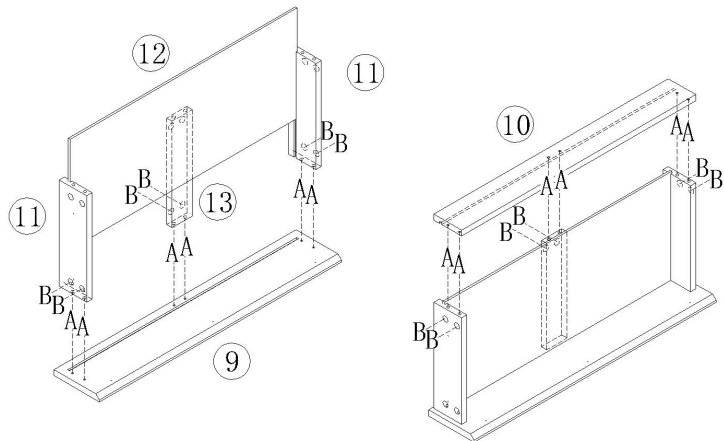
前 Forward 后 Back



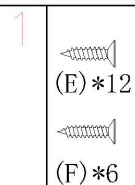
主轨 Main track
副轨 Sub track
三节滚珠导轨-10"
Three-section rail



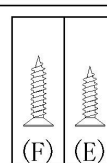
(A)*24
(B)*24



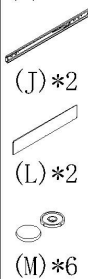
× 2



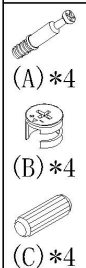
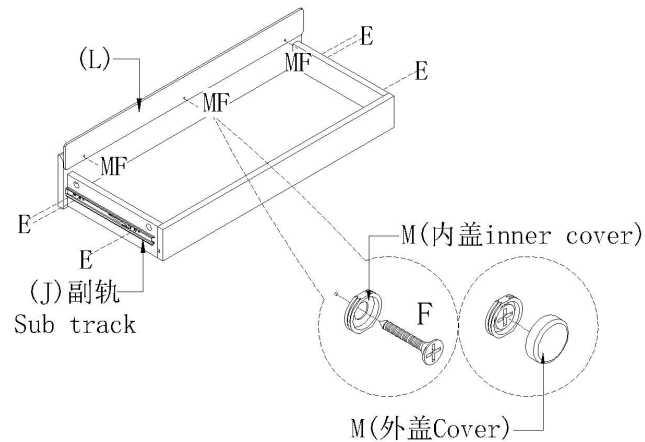
(E)*12
(F)*6



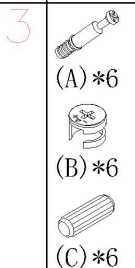
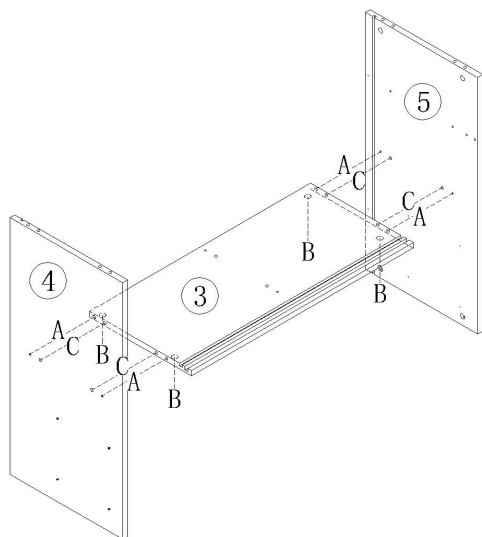
× 2



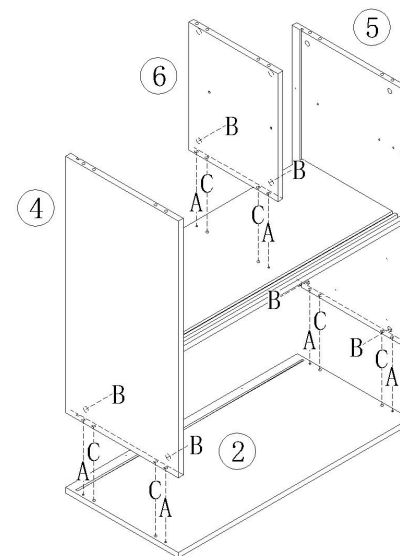
(J)*2
(L)*2
(M)*6



(A)*4
(B)*4
(C)*4



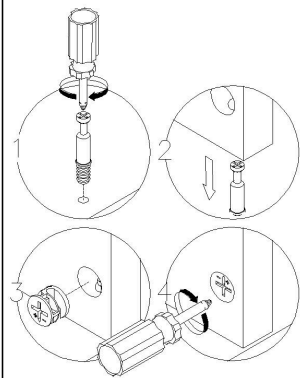
(A)*6
(B)*6
(C)*6



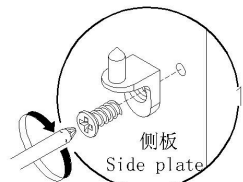
KQ10E-C

安装方法

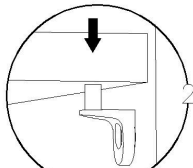
Installation method



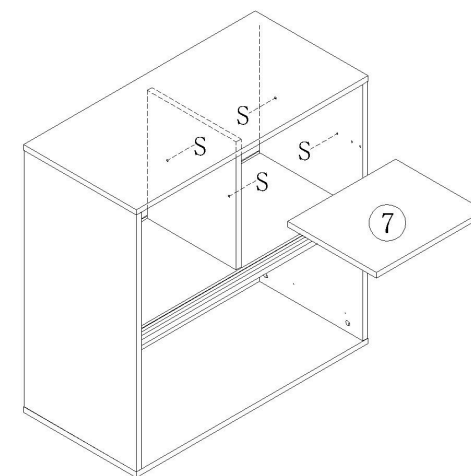
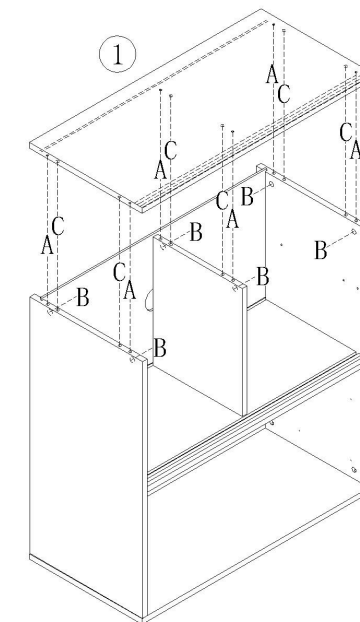
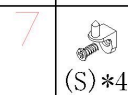
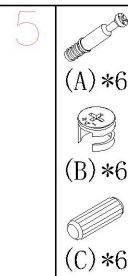
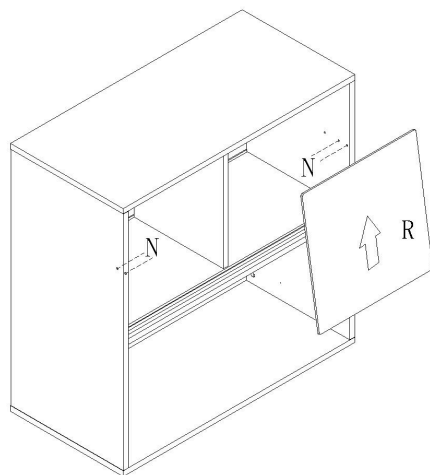
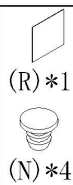
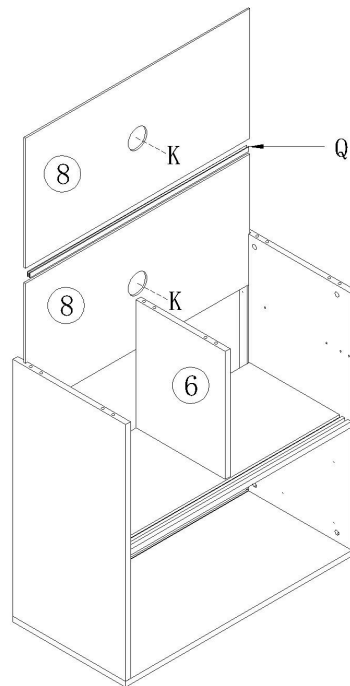
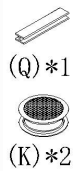
二合一 two-in-one



侧板
Side plate

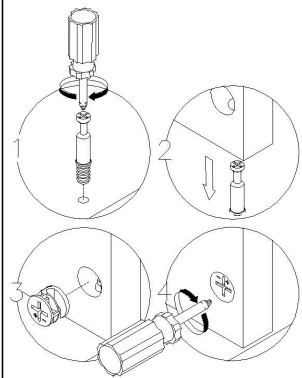


层板托5mm
shelf support

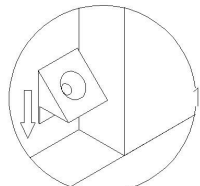


安装方法

Installation method



二合一 two-in-one



背板扣

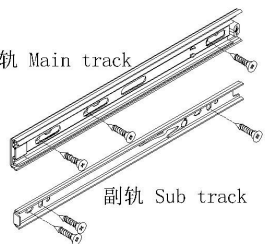
Back Plate Buckle

阀门开关(下压为开)
Valve switch (press down to open)

前 Forward 后 Back



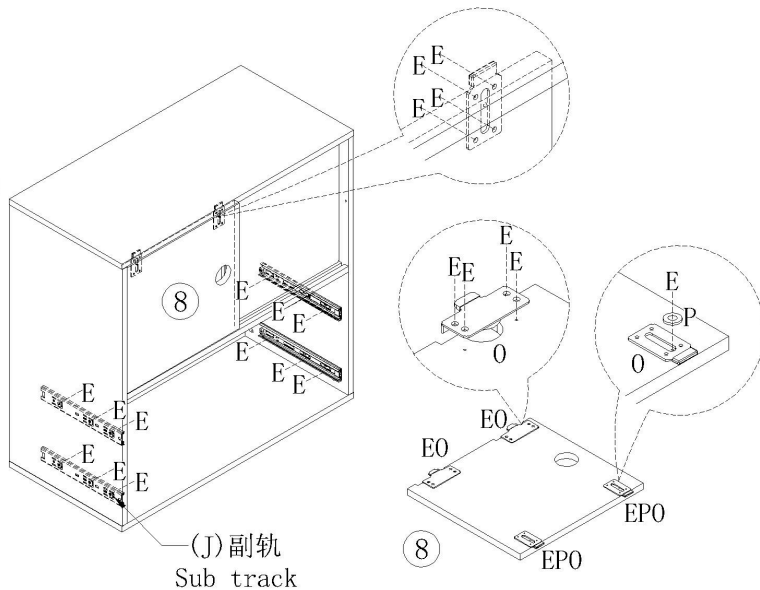
主轨 Main track



副轨 Sub track

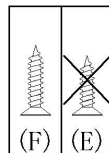
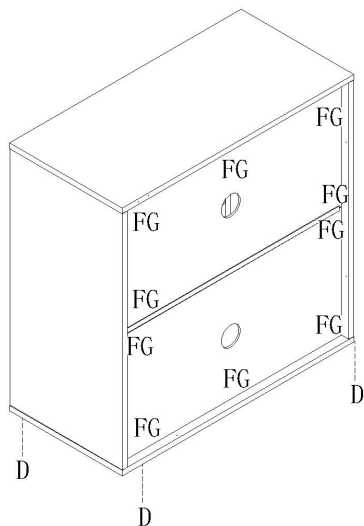
三节滚珠导轨-10"
Three-section rail

- (E)*30
- (O)*2
- (P)*2
- (J)*2



(J) 副轨
Sub track

- (D)*4
- (F)*10
- (G)*10



11

孔位贴使用小贴士

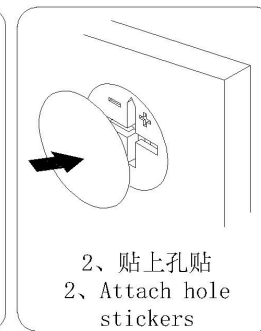
产品安装完成后请贴上孔贴，多出的孔贴请保管好

Tips for using hole stickers:

After the product installation is completed, please attach the hole stickers. Please keep any extra hole stickers safe



1、擦干净孔位
1、Clean the hole position thoroughly



2、贴上孔贴
2、Attach hole stickers




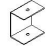
3、24小时内勿碰水
3、Do not touch water within 24 hours

12

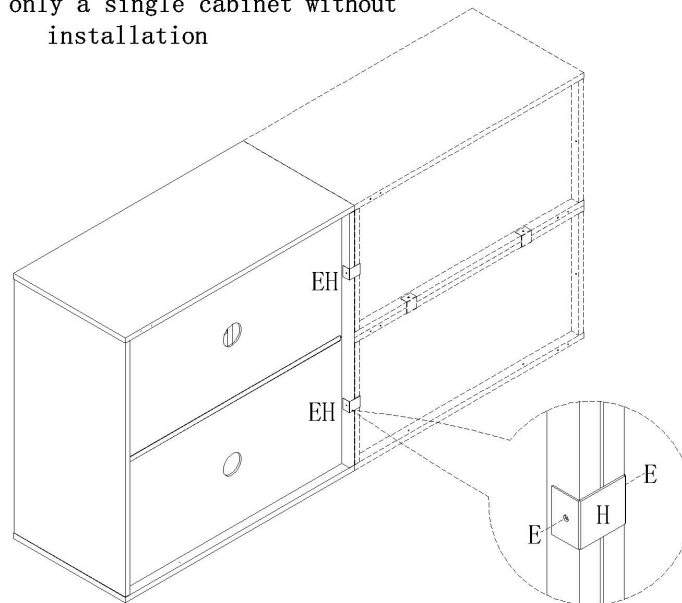
KQ10E-C

安装方法

Installation method

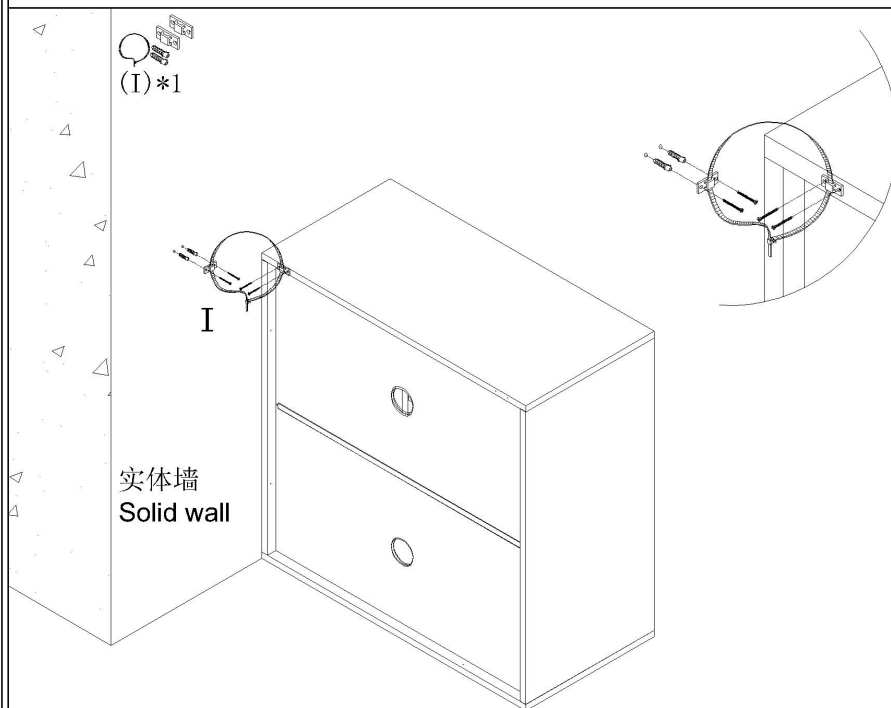
-  (E)*4
-  (H)*2

组合连接方式, 如只购买单个柜体无需安装
Combination connection method, such as
purchasing only a single cabinet without
installation

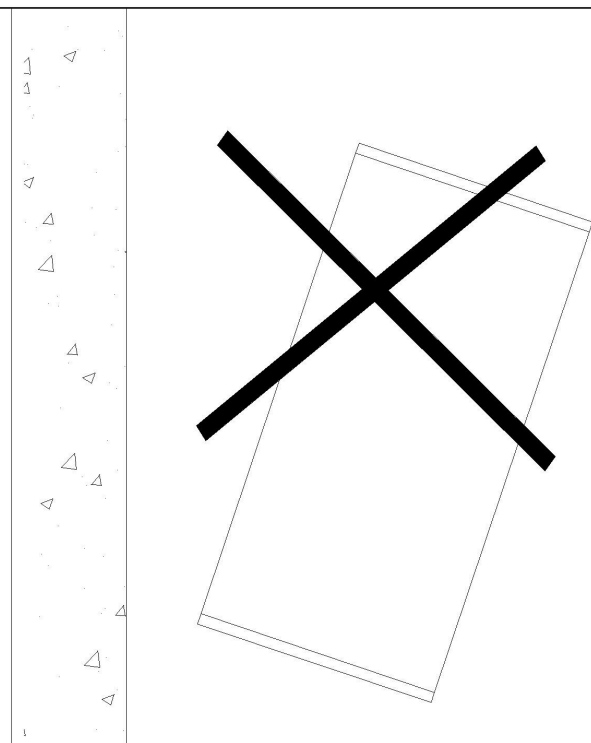


13

-  (I)*1



实体墙
Solid wall



14