

LINSY 林氏家居

安装示意图/Assembly Instruction

产品名称 Model NO.	沙发				
产品型号 Product model	TBS311-A1#				
产品组合 Product portfolio	①三人 3seat				
尺寸规格 Specification	①(1810*760*770)mm				
成品部件明细 Product Parts Details	编号 NO.	名称 Name	规格 Specification	数量 QTY	材质 Material
	1	三人 3seat	1810*760*770	1	松木+胶合板+海绵+布料 Pine wood + Plywood + Sponge + Cloth

制图 Draw

C16

如何区分沙发的左右方向?
How to zone the left and right direction of the sofa?

(图示仅供分辨方向用/Picture are for orientation only)



安装人数 Installer



充电式手电钻 Cordless hand drill

或者 Or



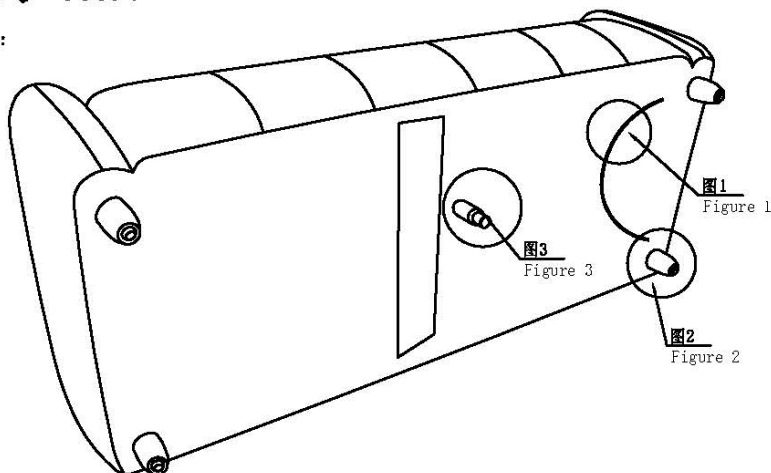
十字螺丝刀 Phillips screwdriver

客户安装前须知:
Customers need to know before installation:
此安装图为“三人”的位置关系。
This installation picture is "3seat"

1-1

三人 3seat

STEP 1:



配件表 Accessories list

编号 NO.	名称 Name	图示 Icon	数量 QTY	三人 3seat
A	说明书(含安装图) Mounting Instruction (with drawing)		1	1
B	木脚-(60*85mm)橡胶木沙褐色实木脚 (60*85mm) Sand Brown color		4	4
C	脚-(直径38*100-150mm)可调一字五金脚 Foot - (Diameter 38*100-150mm) Adjustable single-head hardware foot		1	1

组合图 Combination

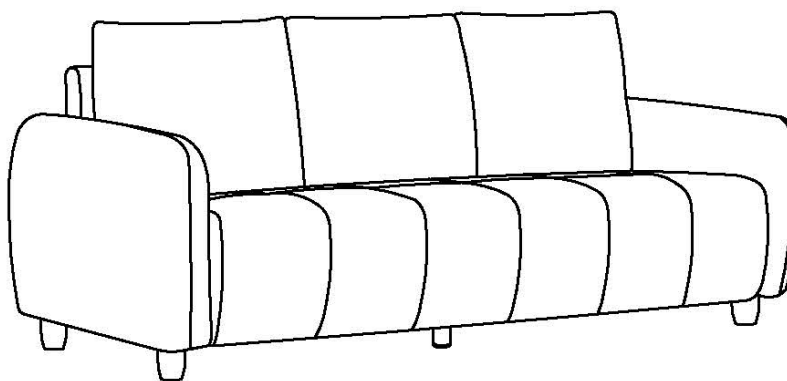


图2: 边角脚安装示意图②
Figure 2: Corner foot installation diagram②

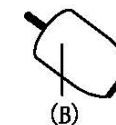


图1: 拉开拉链, 取出配件箱
Figure 1: Unzip the accessory case

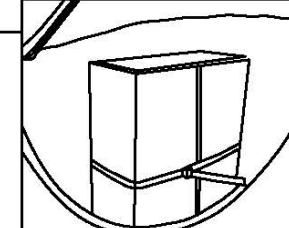


图3: 中脚安装示意图
Figure 3: Installation Diagram of Middle Foot

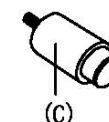


图2: 边角脚安装示意图①
Figure 2: Corner foot installation diagram①

*安装原装脚时, 必须把带钉小胶脚拆除!
*When installing the original feet, the small rubber feet with nails must be removed!