

LNSY 林氏家居

五金表/Hardware list

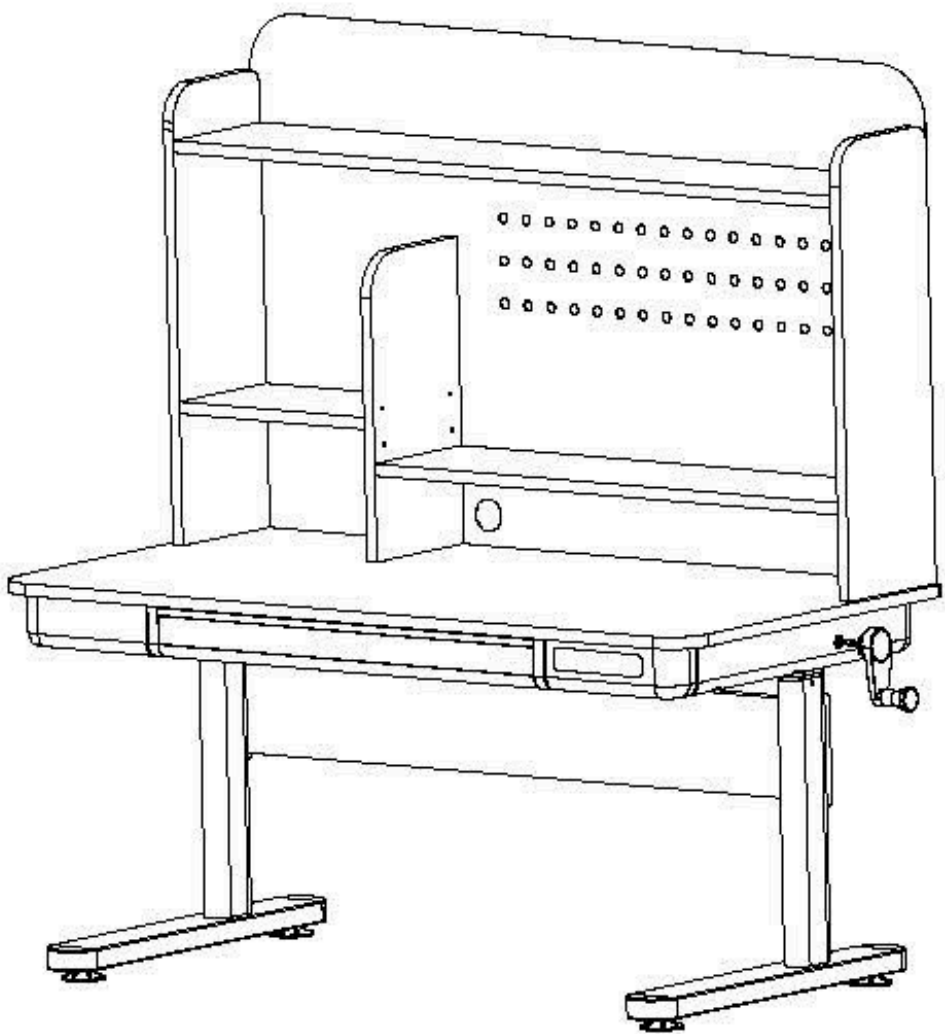
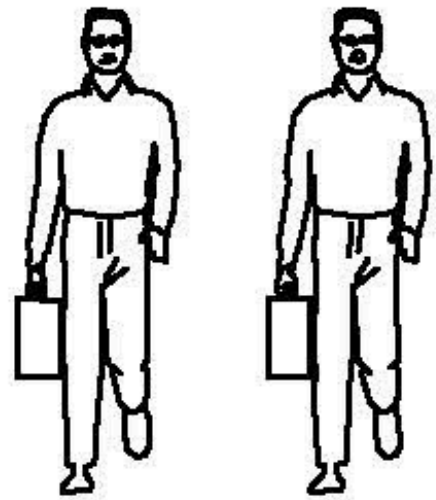
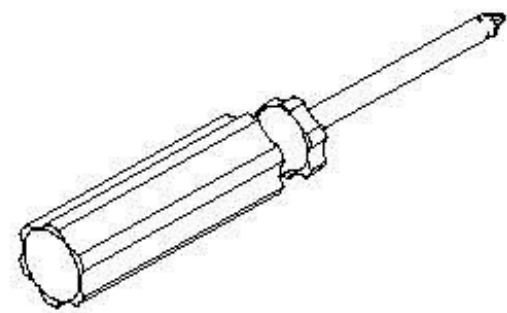
部件表/Parts List

安装示意图/Assembly Instruction

产品名称 Model NO. LH818V1-A-1.0M儿童学习桌

产品规格 Specification 1063*601*1282-1512mm

安装工具 Tool 安装人数 Installer



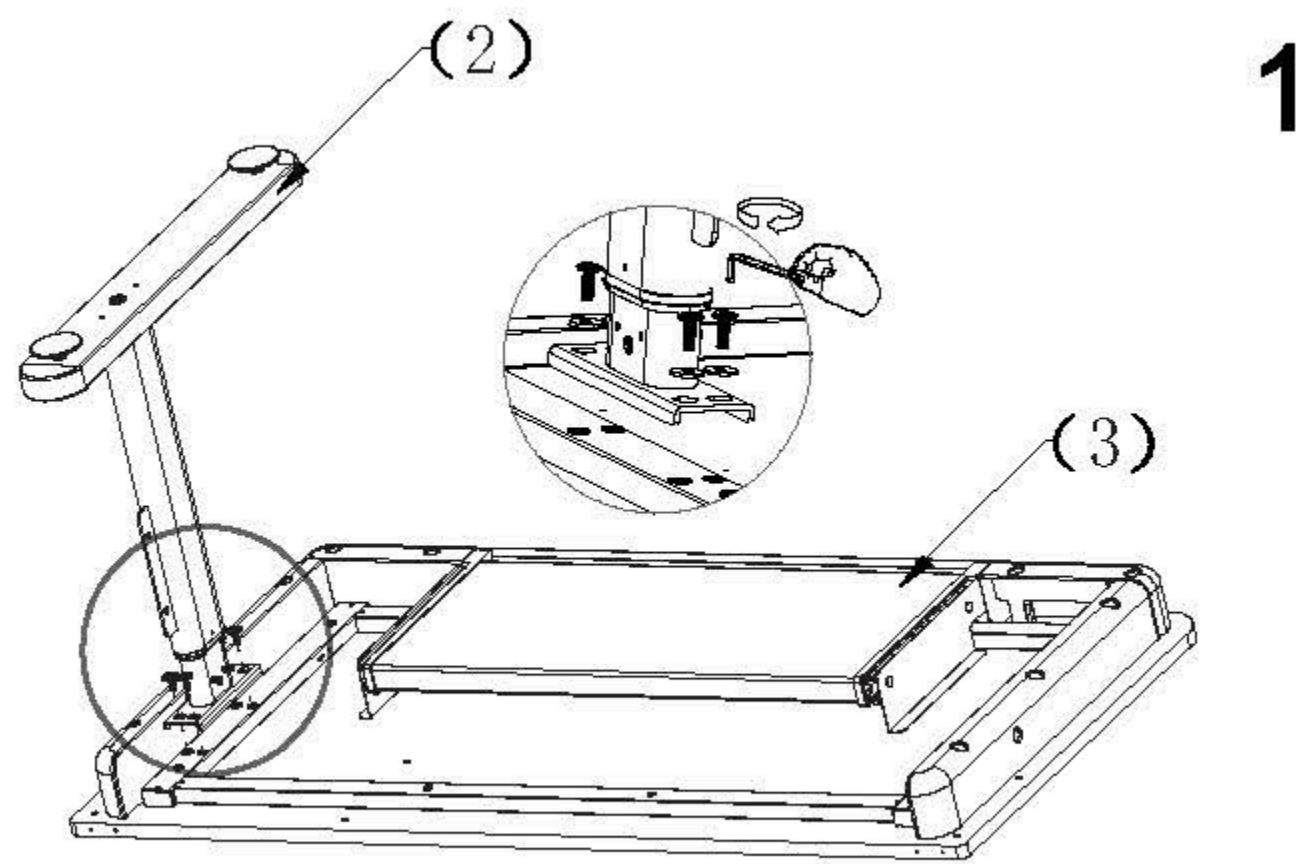
注意! 只允许成人安装, 儿童勿近!
Be careful! Adult only, keep away from children.

<p>(A)*4 内六角斜边平头螺钉 M6x20 Allen beveled grub screws</p>	<p>(B)*22 十字槽盘头螺钉 ST4.2x16 Cross groove pan head screws</p>	<p>(C)*8 连接螺栓 M6X50 Connecting bolts</p>	<p>(D)*8 偏心轮 Eccentric wheel</p>
<p>(E)*6 沉头内六角过山丝 M6X40 Hexagon of the countersunk head</p>	<p>(F)*1 内六角扳手M4带十字 Allen key</p>	<p>(G)*4 桌板固定件 Table fixings</p>	<p>(H)*4 十字沉头自攻螺钉 ST5.6x10 Phillips countersunk self-tapping screws</p>
<p>(I)*1 手摇柄 crank handle</p>	<p>(J)*2 防倾倒器 Anti dumping device</p>	<p>(X)*1 适配器 adapter</p>	<p>(Y)*1 M5六角扳手 wrench</p>
<p>(Z)*1 M6*14螺丝 M6*14screw</p>			

编号NO.	名称Name	规格Specification	数量QTY	材质Material
1	右腿组件 Right leg component	522*590*80mm	1	铁+POM Iron+POM
2	左腿组件 Left leg assembly	522*590*80mm	1	铁+POM Iron+POM
3	桌板框架组件 Table top frame component	1000*600*92mm	1	刨花板+铁+PP Particle board+Iron+PP
4	横档组件 Crossbar component	803*140*20mm	1	南洋楹木+碳钢 South Sea Ipoh wood+carbon steel
5	六角传动杆 Six sided transmission rod	6*6*806mm	1	铁 Iron
6	上铁背板 Upper iron backboard	972*170.5*1mm	1	铁+PVC Iron+PVC
7	下铁背板 Lower iron backboard	972*569.5*1mm	1	铁 Iron
8	左竖板 Left vertical panel	644*201*17mm	1	铁 Iron
9	右竖板 Right vertical panel	644*201*17mm	1	南洋楹木 South Sea ebony
10	左横板 Left cross board	320*201*17mm	1	南洋楹木 South Sea ebony
11	中竖板 Middle vertical board	430*201*17mm	1	南洋楹木 South Sea ebony
12	右横板 Right cross board	602*201*17mm	1	南洋楹木 South Sea ebony
13	上横板 Top horizontal plat	940*201*17mm	1	南洋楹木 South Sea ebony

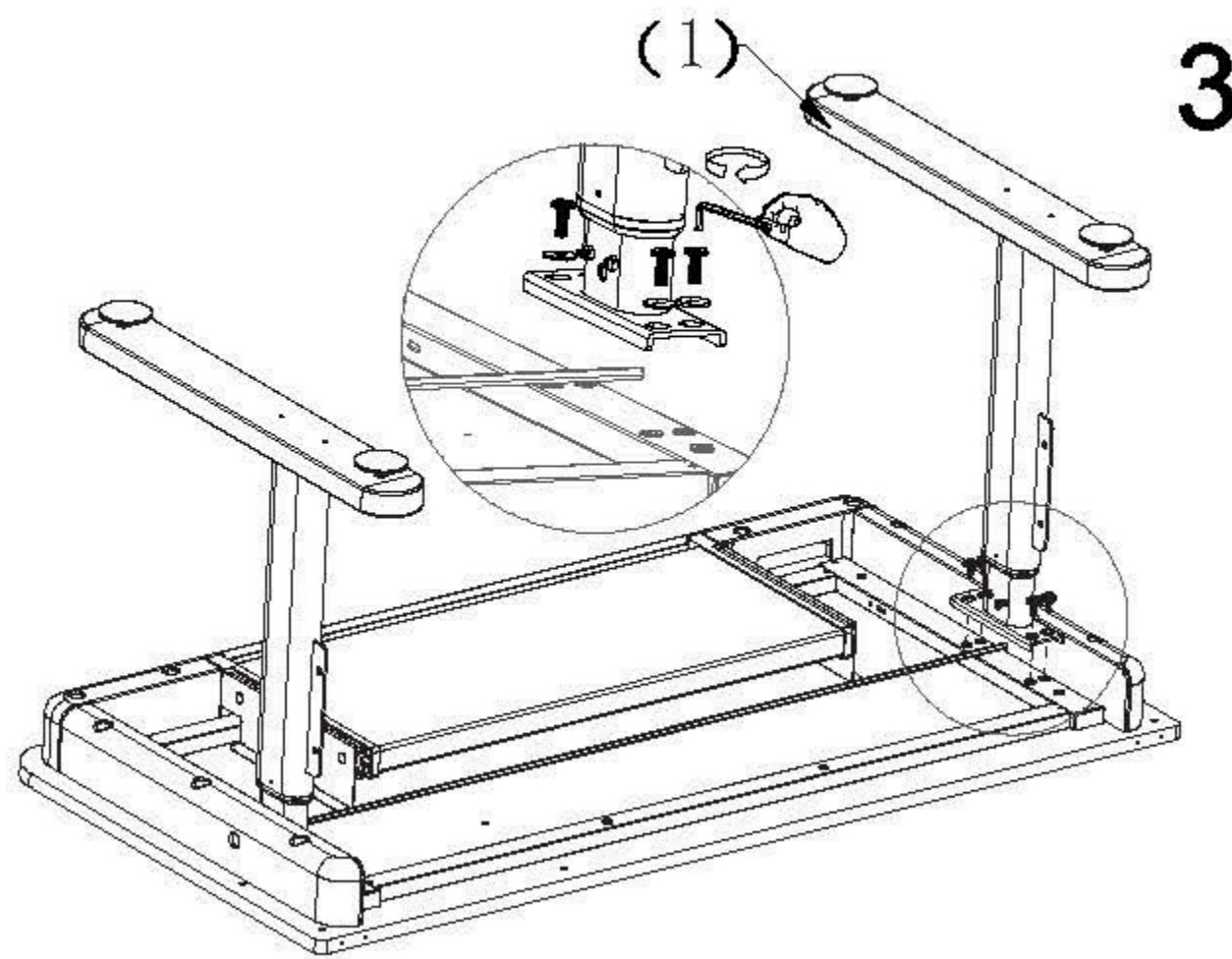
LH818V2-B 1.0m护眼灯

①	学习灯 Study Lamp	1120*102.6*44.5mm	1	塑料 Plastic
---	-------------------	-------------------	---	---------------



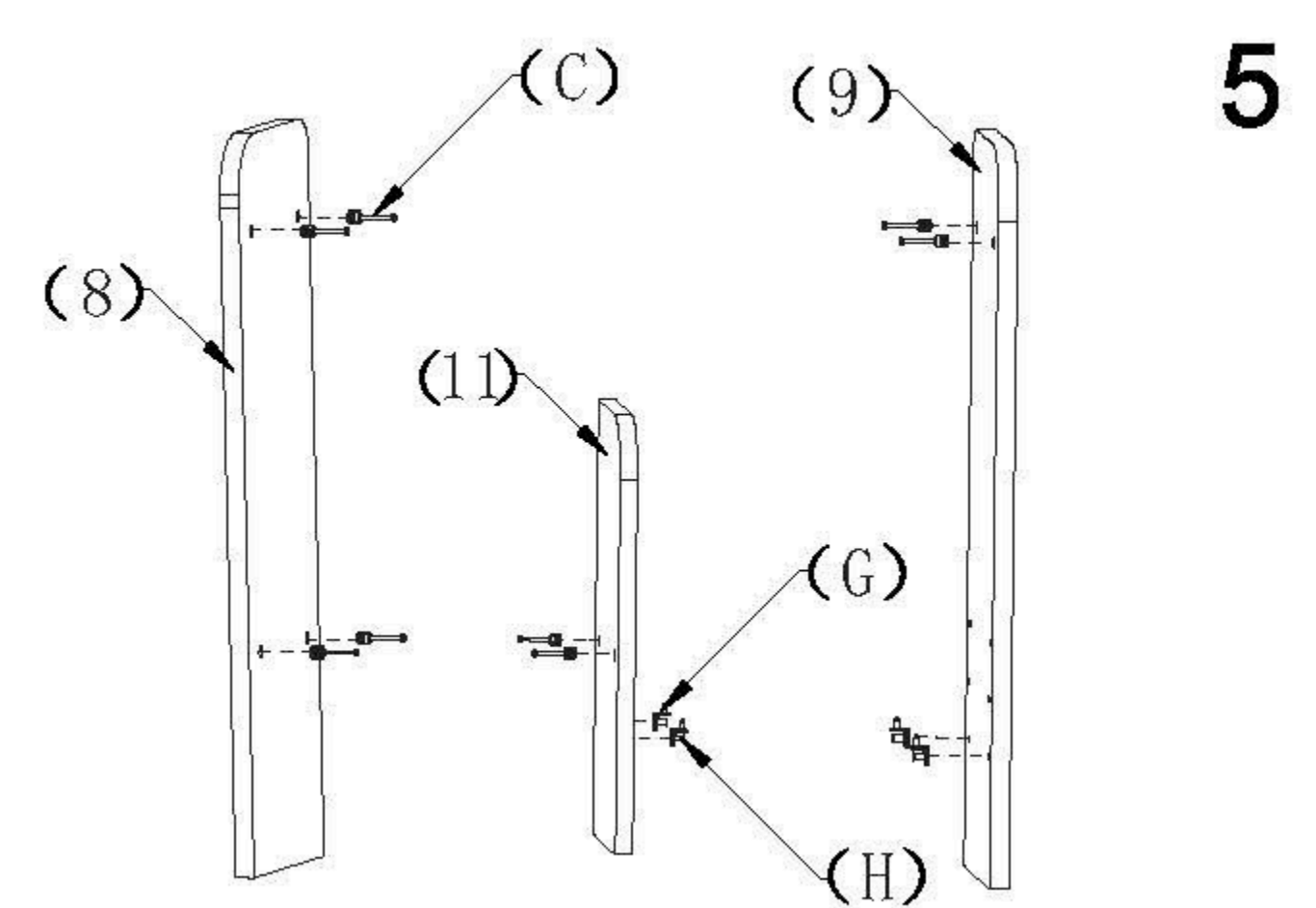
将桌板框架组件(3)上预装的螺丝、垫片取下，左腿组件(2)对准框架孔位，放上垫片拧上螺钉(注意螺钉先不要拧紧)

Remove the pre-installed screws and washers from the tabletop frame component (3), align the left leg component (2) with the frame holes, the washers and tighten the screws (note that the screws should not be tightened yet).



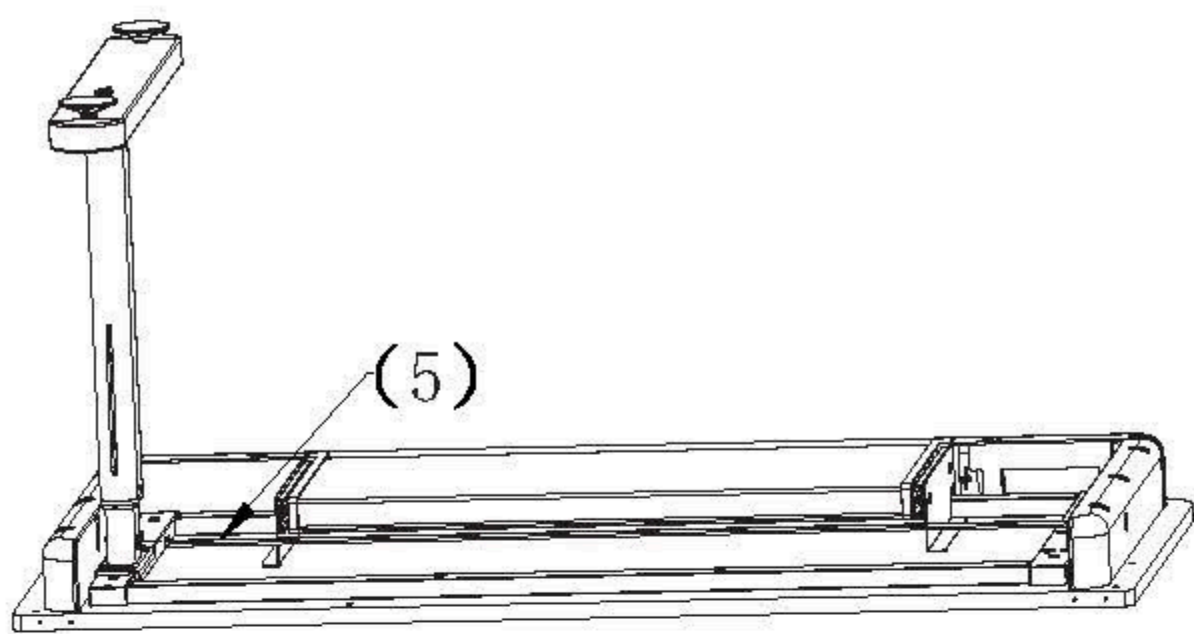
右腿组件(1)套入六角传动杆(5)，对准桌板框架组件(3)孔位，放入垫片，拧上螺钉(注意螺钉先不要拧紧)

Right leg component (1) is inserted into the hexagonal drive rod (5), aligned with the hole position of the plate frame component (3), then placed with a gasket and screwed (note that the screw should not be tightened first).



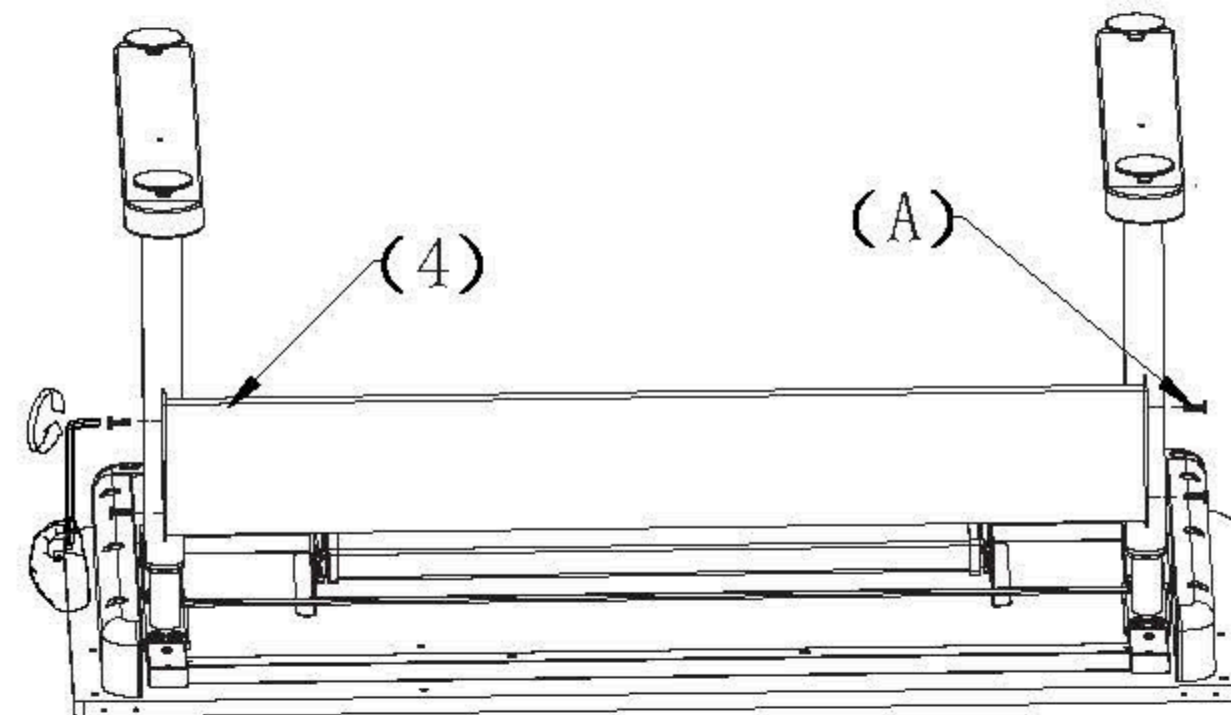
左竖板(8)对应孔放入连接螺栓(C)，拧紧螺栓
中竖板(11)对应孔放入连接螺栓(C)，用螺钉(H)装上桌板固定组件(G)
右竖板(9)对应孔放入连接螺栓(C)，用螺钉(H)装上桌板固定组件(G)

Insert the corresponding holes of the left vertical plate (8) into the connecting bolts (C) and tighten the bolts. The middle vertical plate (11) corresponding hole is placed with the connecting bolt (C), and the table top fixing component (G) is installed with screw (H). The right vertical plate (9) corresponding hole is placed with the connecting bolt (C), and the table top fixing assembly (G) is installed with the (H).



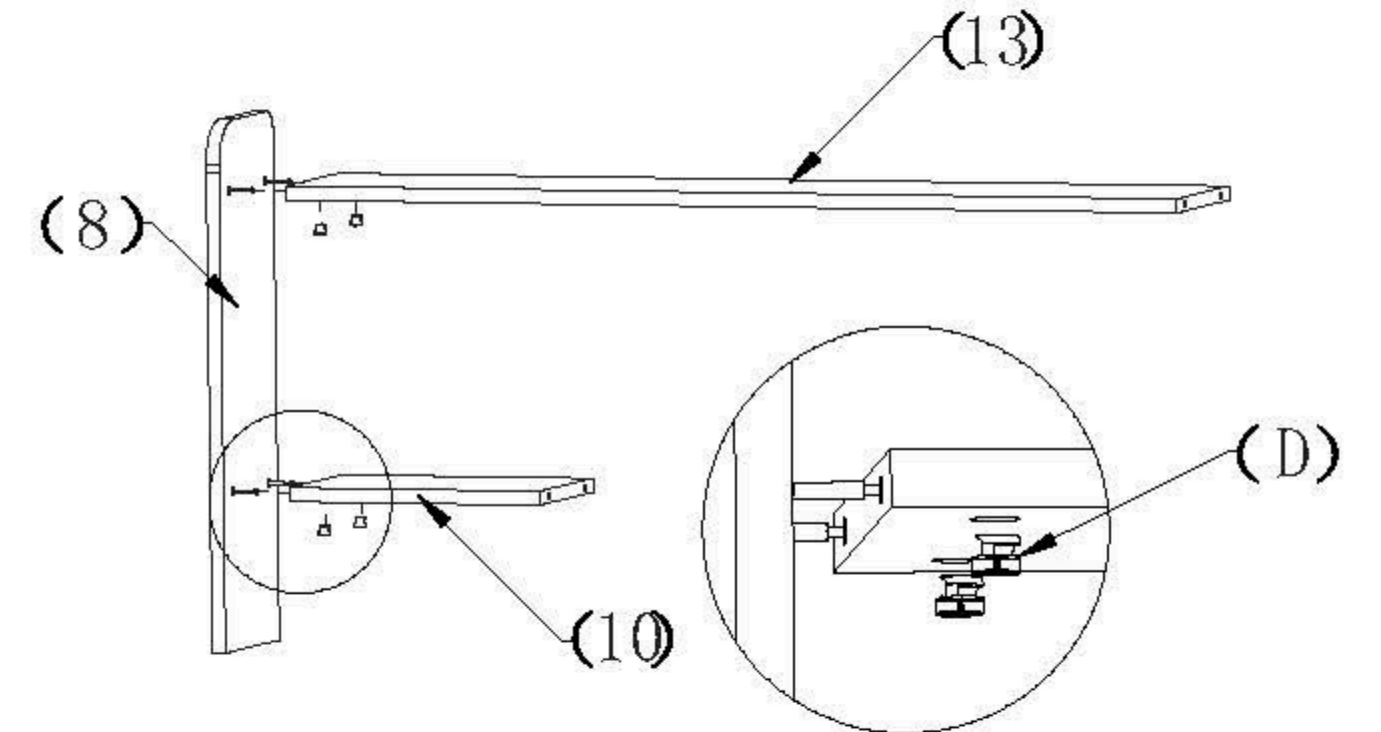
六角传动杆(5)一端放入左桌腿组件

Six-sided drive rod (5) is inserted at one end into the left leg assembly



横档组件(4)放至左右腿组件对应位置，拧紧螺钉(A)，将所有螺钉拧紧

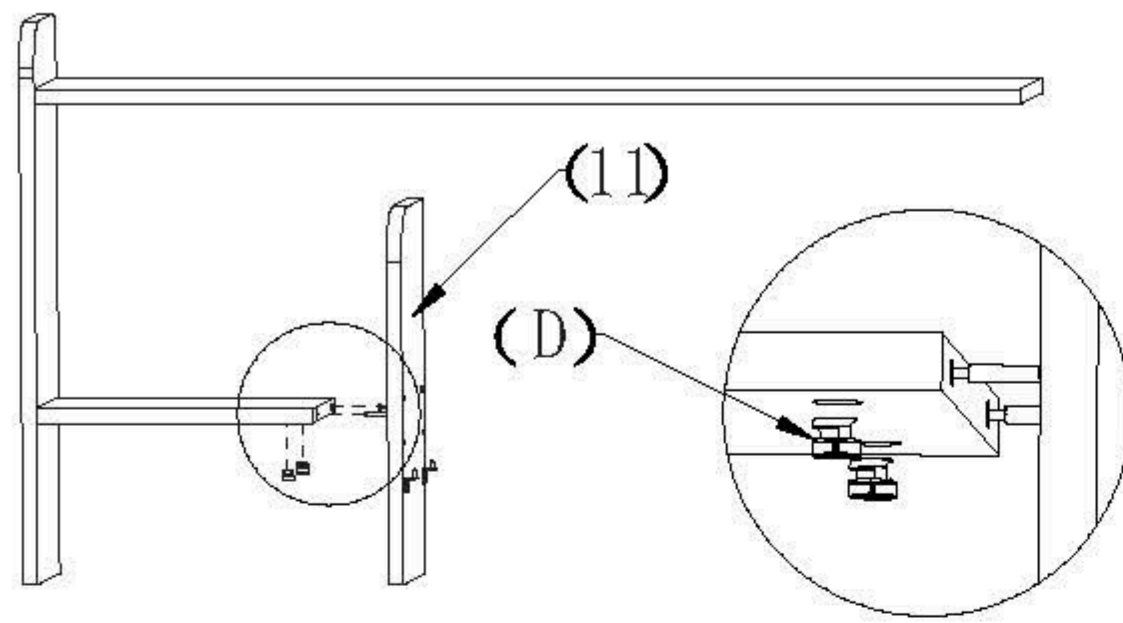
The cross bar component (4) is placed at the corresponding position of the left and right leg components, and the screws (A) are tightened, all are tightened.



左竖板(8)对应孔位装入上横板(13)左横板(10)对应孔放入偏心轮(D)，锁紧偏心轮

The left vertical plate (8) is inserted into the corresponding hole position of the upper horizontal plate (13), and the eccentric wheel (D) is into the corresponding hole of the left horizontal plate (10), and the eccentric wheel is tightened.

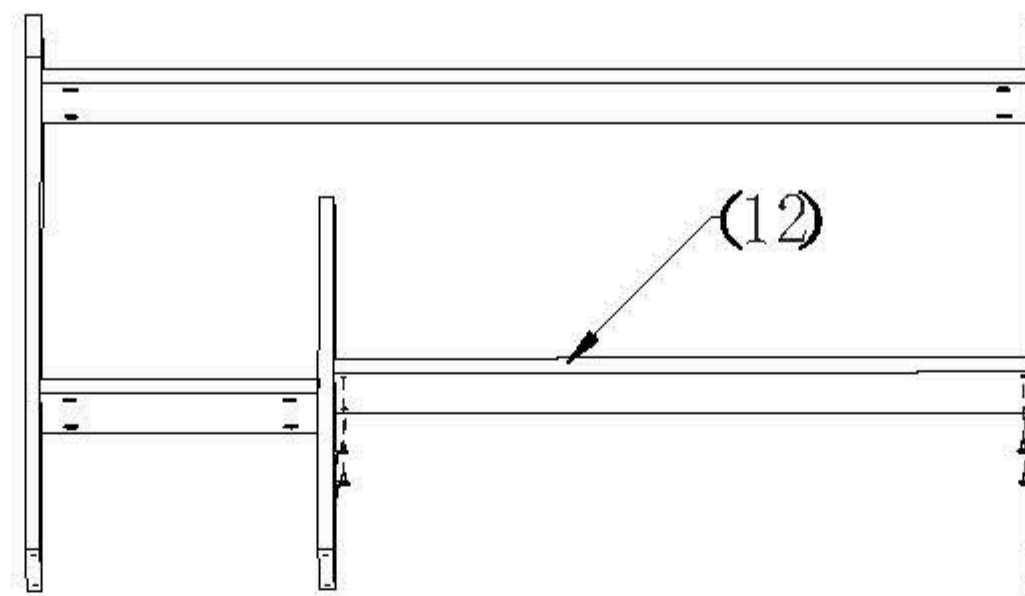
7



左上横板对应孔放入偏心轮(D)，装入中竖板(11)，锁紧偏心轮

The corresponding hole of the left upper horizontal plate is inserted into the eccentric wheel (D), the middle vertical plate (11) is installed, and the wheel is tightened.

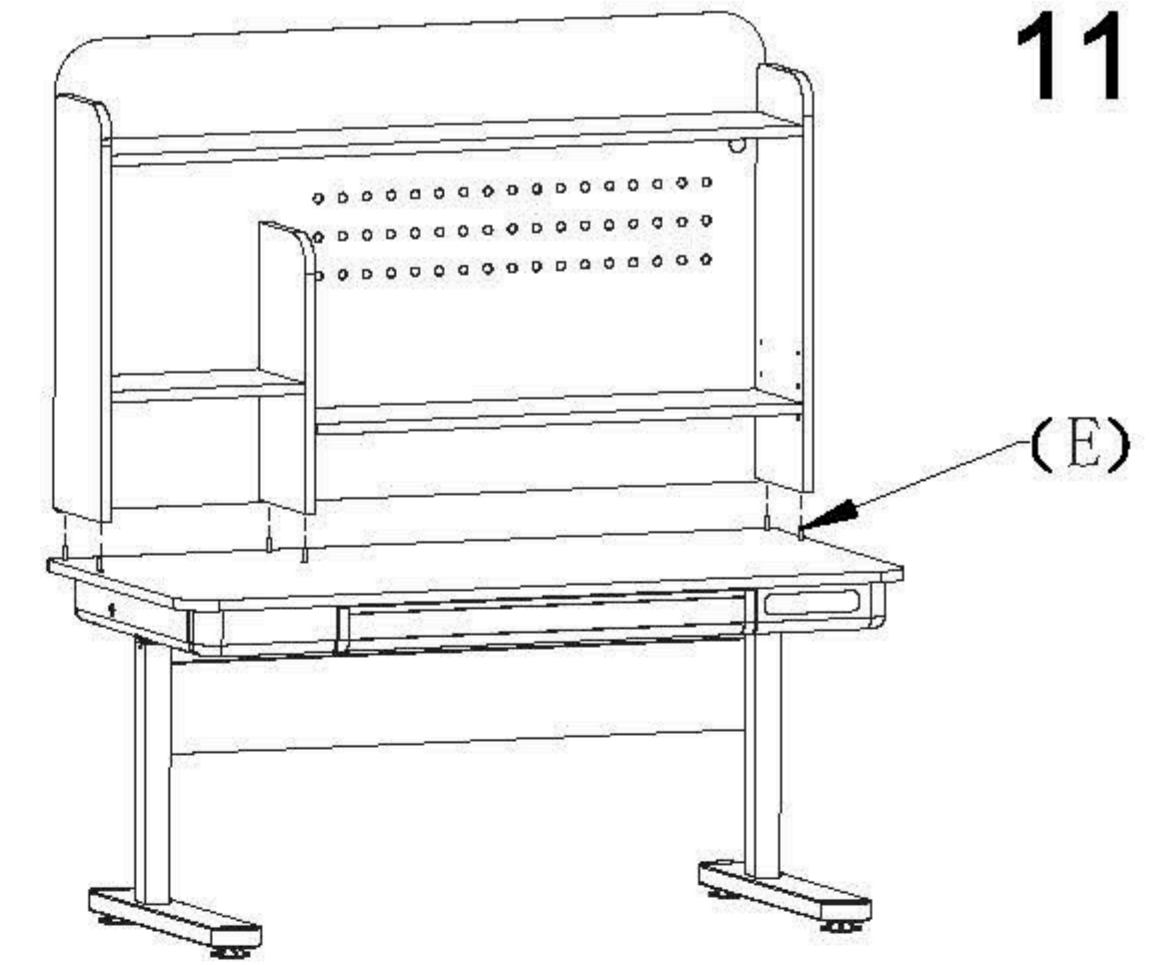
9



右横板(12)放置在桌板固定件(G)上，孔位对准下压固定调节右横板

The right cross plate (12) is placed on the table plate fixing piece (G), and the hole position is aligned with the lower pressing fixing

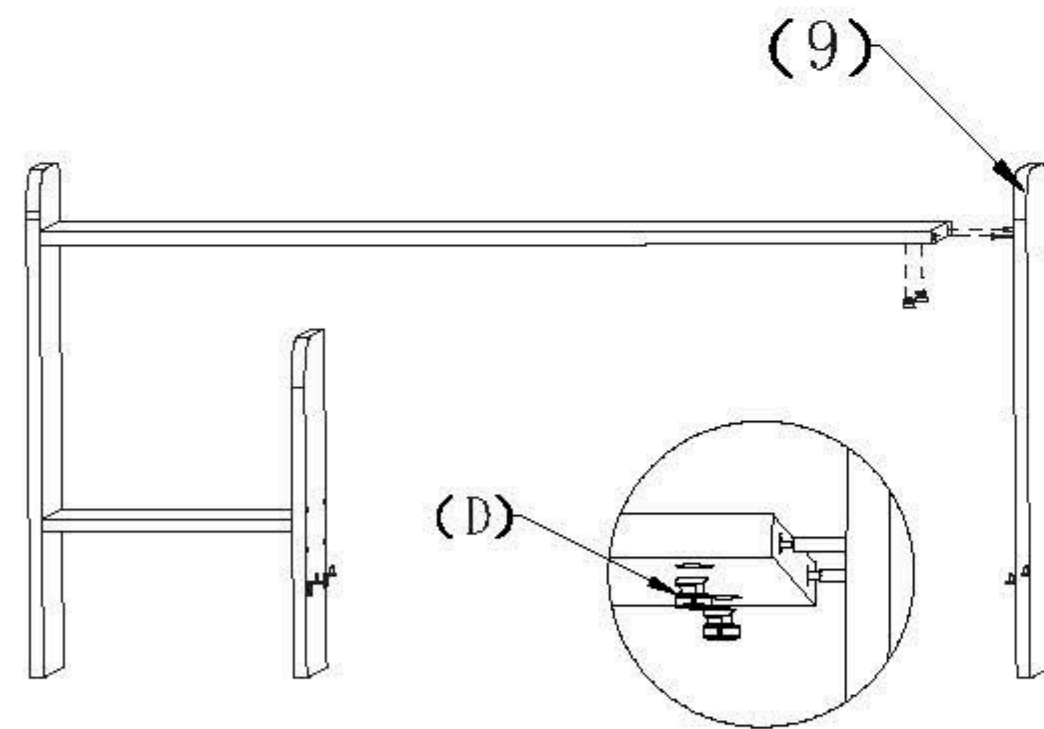
11



将书架部分与桌板用沉头内六角过三丝(E)连接，锁紧螺丝

Connect the bookshelf part with the tabletop using a countersunk hexagon through three screws (E), and tighten the screws.

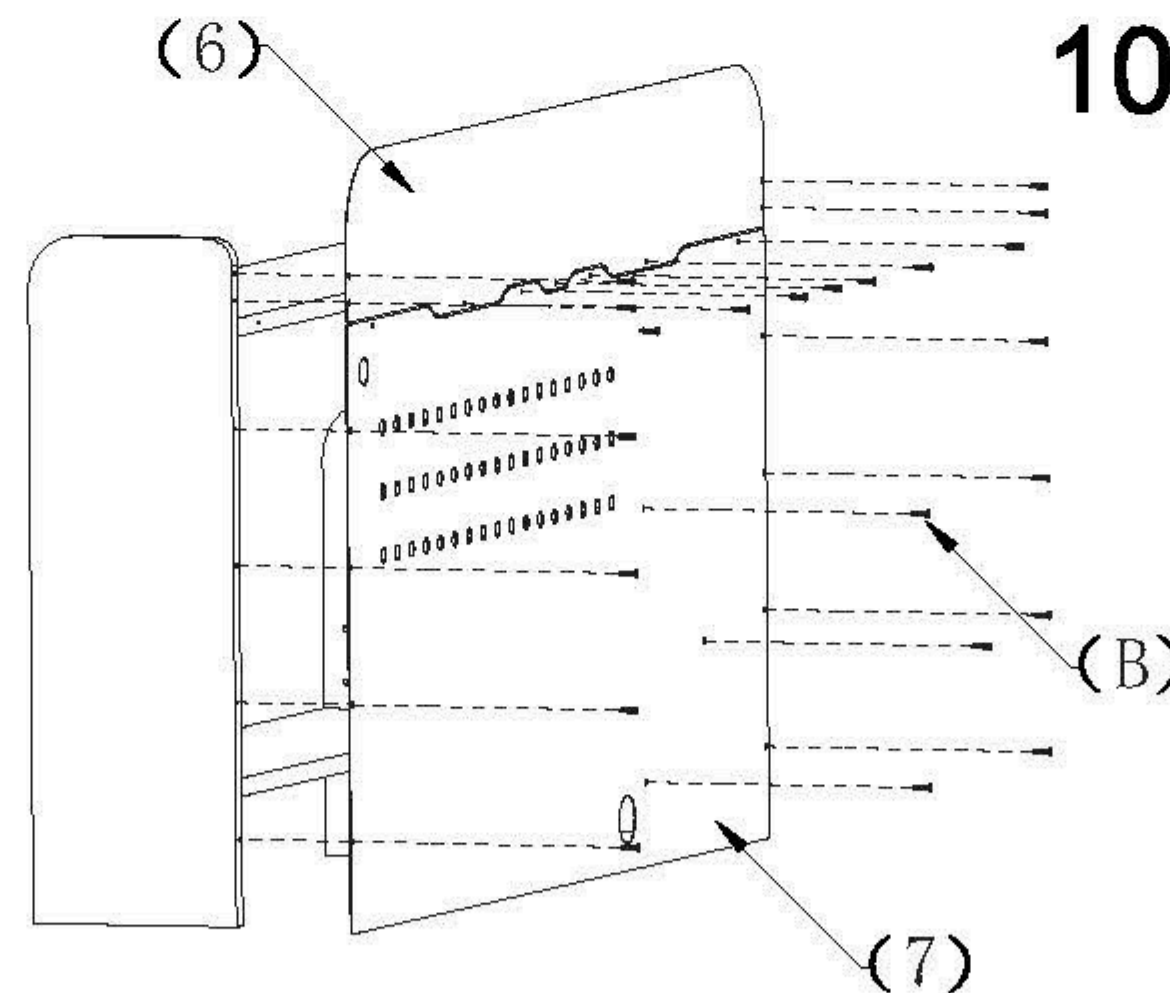
8



上横板对应孔放入偏心轮(D)，装入右竖板(9)，锁紧偏心轮

The corresponding hole of the upper horizontal plate is inserted into the eccentric wheel (D), installed into the right vertical plate, and the eccentric wheel is tightened

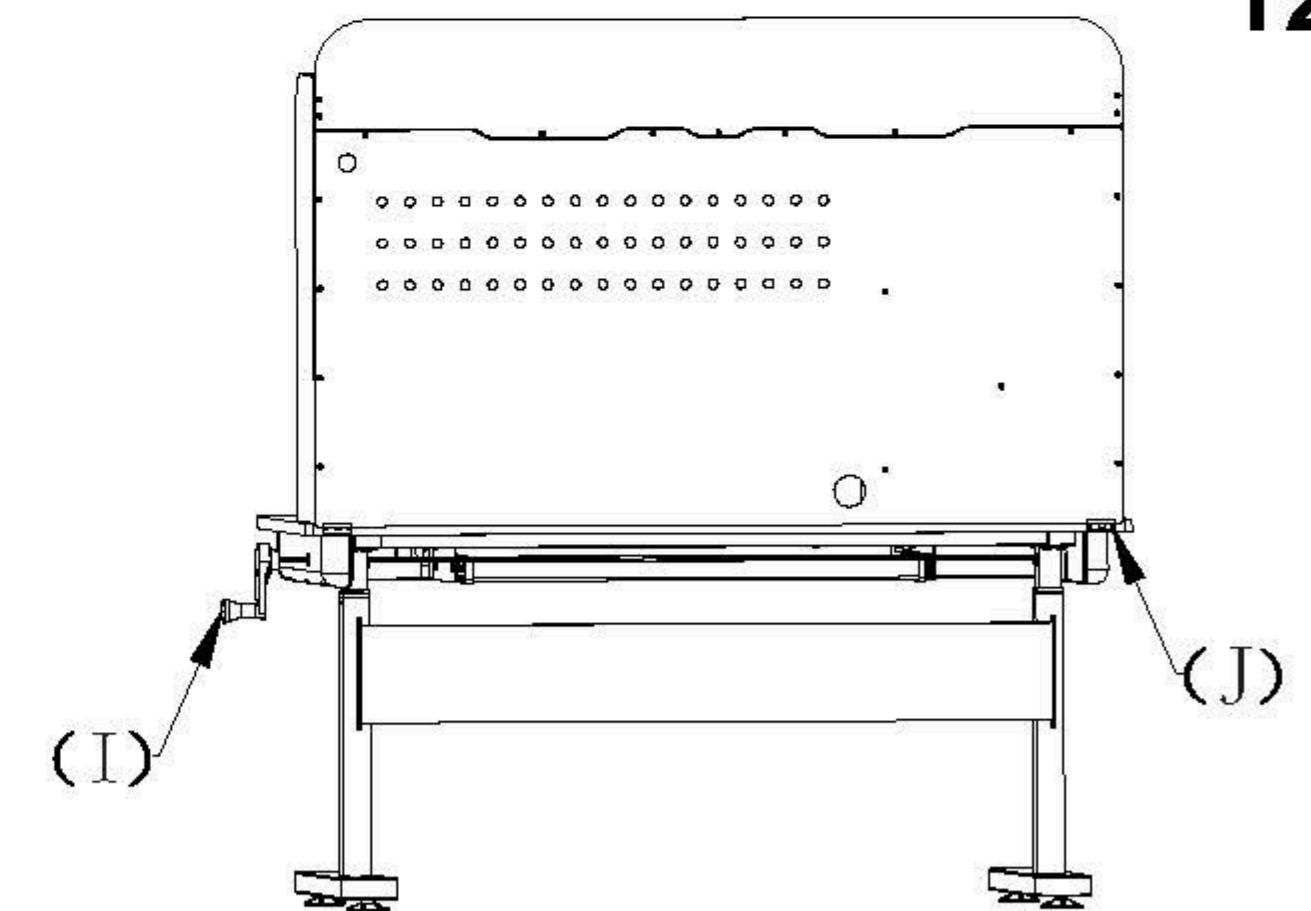
10



如图所示，上铁背板(6)、下铁背板(7)用十字槽沉头螺钉(B)固定在书架木板上锁紧螺钉

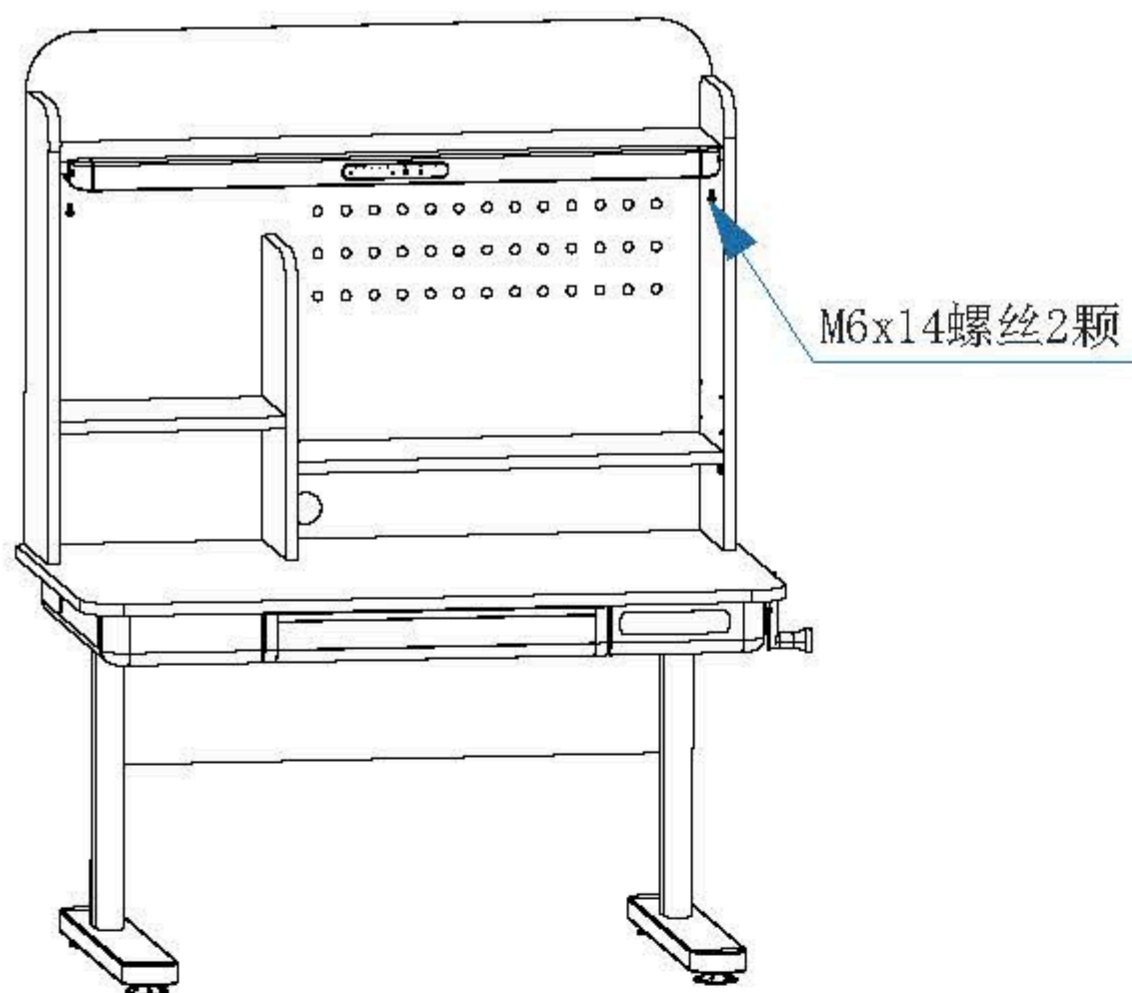
As shown in the figure, the upper iron back plate (6) and the lower iron back plate (7) are fixed on the bookshelf wooden board with slot pan-head screws (B) and the locking screws

12



将手摇柄(I)装到桌子上;温馨提示:桌子组装完成后,请靠墙使用!靠墙后使用防倾倒器(J)将桌子固定在墙上。

Install the hand crank (I) on the table; Warm tips: Please use it against the wall after the table is assembled! Use the anti-toppling (J) to fix the table to the wall after leaning it against the wall.



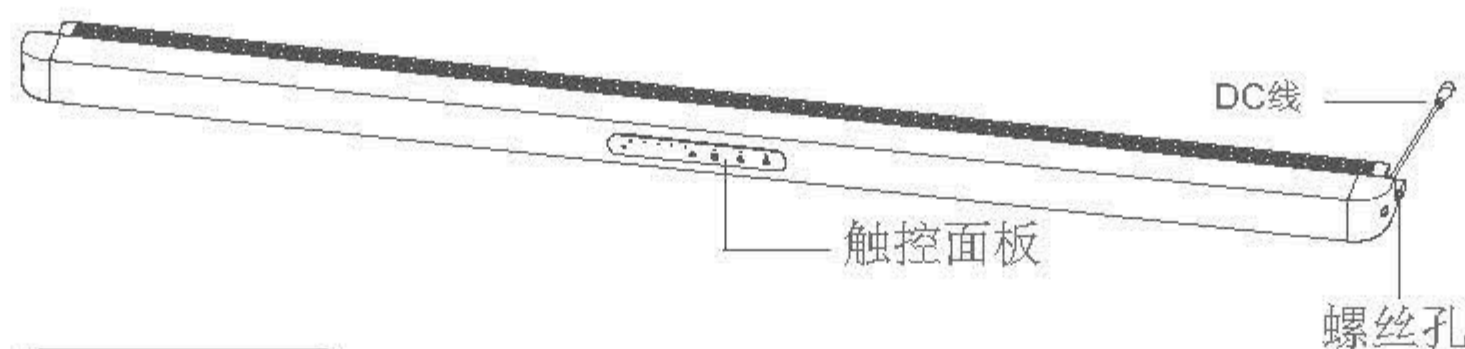
13

M6x14螺丝2颗

用2颗M6*14十字螺栓将天幕灯安装到 步骤12组件上, 插上电源后点亮即可。用手摇柄将学习桌调整至合适的尺寸后取下手摇柄。安装完成。

Attach the canopy light to the assembly from Step 12 using two M6*14 Phillips screws. Plug in the power source to illuminate. Adjust the study desk to the desired size using the hand crank, then remove the crank. Installation complete.

零部件名称



功能使用说明



🔌 开关键

1. 点按“🔌”键灯具亮起 指示灯也亮起
2. 点按“🔌”键灯具熄灭, 指示灯也熄灭。
3. 记忆功能: 关闭后, 再次开启时会自动恢复上一次的亮度。

↕ ^ 亮度调节键

每点按“^”键一次亮度增加一档, 共五档亮度调节, 每点按“↕”键一次亮度减少一档, 共五档亮度调节。

📖 一键阅读模式

点按“📖”键进入一键阅读模式, 对应指示灯亮起, 此时灯光亮度为100%。

再次点按此键, 退出一键阅读模式, 指示灯熄灭。

🕒 45分钟定时

点按“🕒”键, 开启45分钟定时, 45分钟定时结束后灯光缓慢闪烁3次, 亮度降低至20%, 指示灯熄灭。

在定时期间点按“🕒”键, 即取消定时功能。

包装清单

灯体*1 说明书*1 适配器*1 螺丝*2 螺丝刀*1

产品参数

产品型号: LH818V2-B
 额定电压: 220-240V~
 额定频率: 50/60Hz
 额定电流: 0.1A
 产品色温: 3700K
 显色指数: Ra95
 额定输入功率: 20W MAX
 额定光源功率: 208×0.5W/LED模块
 执行标准: GB/T 7000.1-2023; GB/T 7000.201-2023;
 GB/T 17743-2021; GB 17625.1-2022

注意事项

(使用前请仔细阅读以下内容)

1. 请勿直视亮着的光源, 以免引起眼睛不适。
2. 灯具仅在室内使用。
3. 请勿自行拆卸灯具, 以免造成不必要的损失。
4. 清洁产品请务必切断电源。
5. 请使用产品配送的原装电源。
6. 此灯具的光源是不可替换的, 当光源到其寿终时, 应替换整个灯具。
7. 打开包装后, 将塑料袋丢弃, 以免儿童玩耍造成窒息危险。
8. 请勿在高温, 易燃物体表面或潮湿环境使用本产品, 以免损坏或发生短路。
9. Z型接线: 此灯具的外部软缆或软线不能替换; 如果软线损坏, 该灯具即应报废。