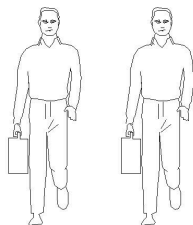
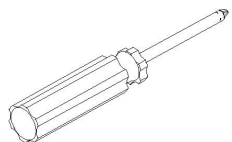
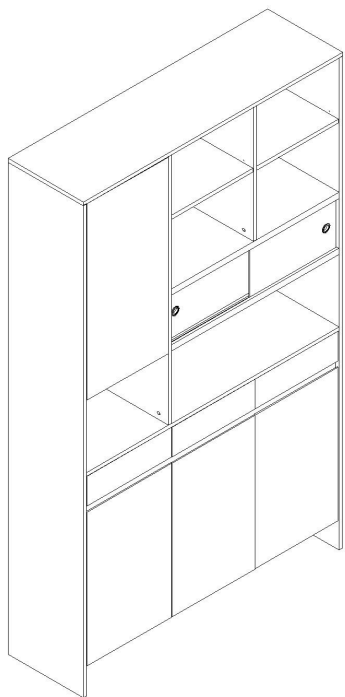


安装示意图/Assembly Instruction

产品名称 Model NO.	OV10-A (1.2m)
产品规格 Specification	1208*350*2003mm
安装工具 Tool	安装人数 Installer



注：为保证设计效果，部分尺寸为定制尺寸，不影响使用。



<p>(A)*3 三节滚珠导轨10" Three-section rail</p>	<p>(B)*86 二合一螺杆 2-in-1-screw</p>	<p>(C)*86 大三合一锁饼 3-in-1 large lock</p>	<p>(D)*51 木榫-$\varnothing 8 \times 30$ Wood tenon</p>	<p>(E)*13 小三合一锁饼 3-in-1 small lock</p>	<p>(F)*13 小二合一杆 2-in-1 small rod</p>	<p>(G)*13 自攻螺丝M4*40 Self-tapping screw</p>	<p>(H)*13 塑料螺母 Plastic Nut</p>
<p>(I)*38 自攻螺丝M3.5*12 Self-tapping screw</p>	<p>(J)*14 缓冲门铰大弯-杯径$\varnothing 35$ Great bend hinge</p>	<p>(K)*40 层板托5mm shelf support</p>	<p>(L)*7 灰色毛毡垫 Foot pad</p>	<p>(M)*2 家具防倒器-白色 Anti-fall device</p>	<p>(N)*8 百攻大扁M4*20mm Flat head tapping screw</p>	<p>(O)*4 圆环拉手 Circular handle</p>	<p>(P) 8 防撞孔塞 Anti-collision plug</p>
<p>(Q)*4 趟门玻璃 Door glass</p>	<p>(R)*1 斜边十字螺杆-M8x30mm Bevel cross screw</p>	<p>(S)*1 通用铁中脚 Middle foot</p>					

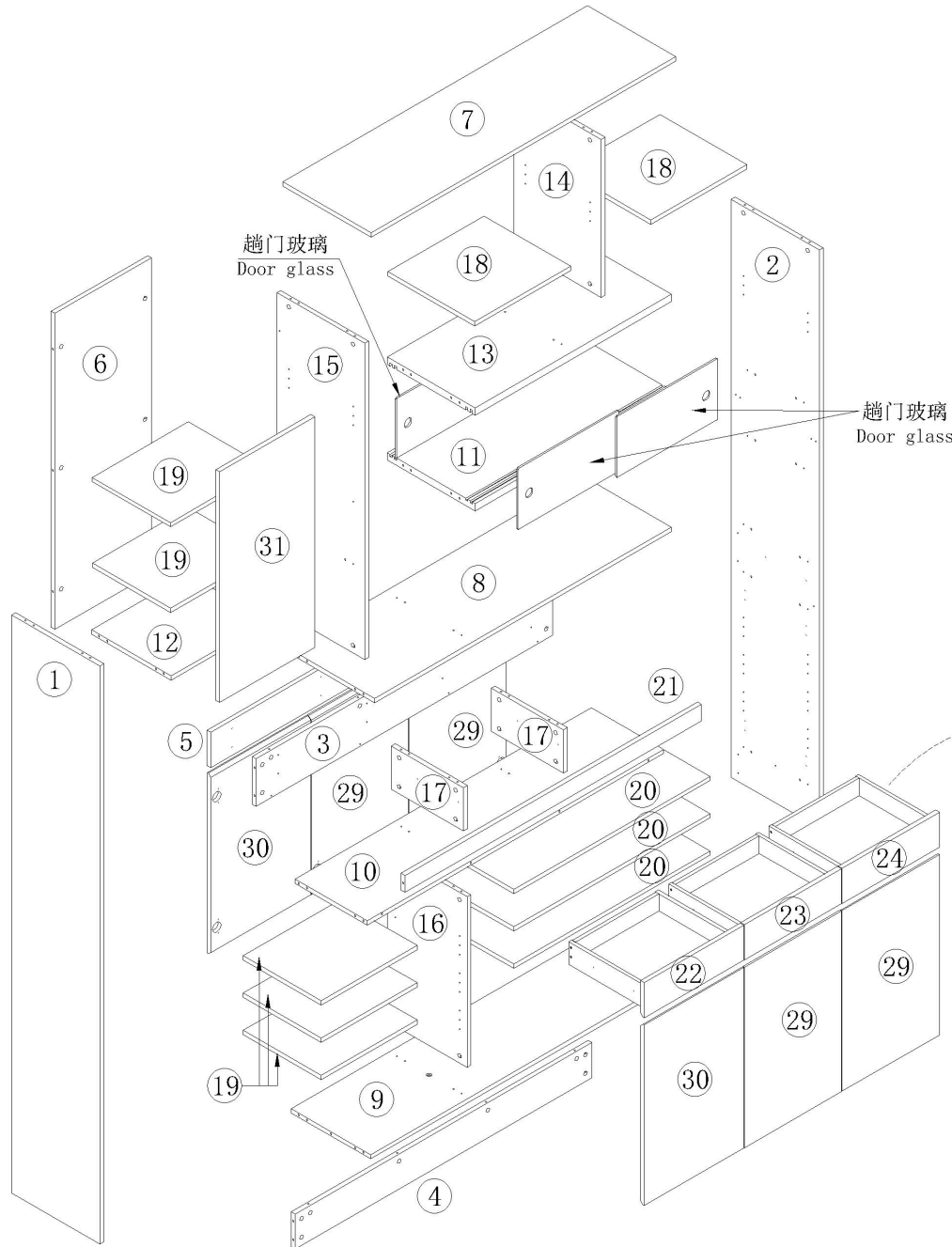
OV10-A (1.2m)

部件表/Parts List

部件表/Parts List

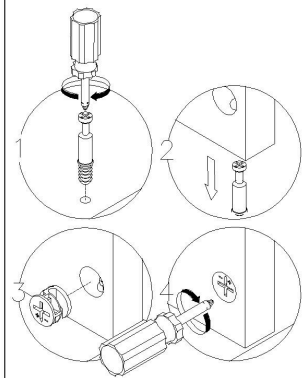
安装方法
Installation method

编号NO.	名称Name	规格(mm) Specification	数量QTY	材质Material	编号NO.	名称Name	规格(mm) Specification	数量QTY	材质Material
①	左侧板Side board(L)	1985*350*15	1	刨花板 Particle board	②6	抽屉右侧板 Drawer's side board(R)	295*78*12	3	刨花板 Particle board
②	右侧板Side board(R)	1985*350*15	1	刨花板 Particle board	②7	抽屉后板 Drawer's Back board	332*78*12	3	刨花板 Particle board
③	中背板Middle back board	1176*164*15	1	刨花板 Particle board	②8	抽屉底板 Drawer's Bottom board	342*291*5	3	纤维板 Fiberboard
④	下拉条Bottom brace	1176*120*15	1	刨花板 Particle board	②9	右门板Door board(R)	620*386*15	4	刨花板 Particle board
⑤	假抽屉面板 Fake drawer panel	1174*121*15	1	刨花板 Particle board	③0	左门板Door board(L)	620*395*15	2	刨花板 Particle board
⑥	上背板Upper back board	1085*382*15	1	刨花板 Particle board	③1	上门板Upper door board	792*378*15	1	刨花板 Particle board
⑦	顶板Top board	1208*350*15	1	刨花板 Particle board					
⑧	面板Top panel	1176*348*15	1	刨花板 Particle board					
⑨	底板Bottom board	1176*316*15	1	刨花板 Particle board					
⑩	下层板Lower shelf	1176*286*15	1	刨花板 Particle board					
⑪	右固定层板Fixed shelf(R)	779*348*25	1	刨花板 Particle board					
⑫	左固定层板Fixed shelf(L)	382*316*15	1	刨花板 Particle board					
⑬	上层板Upper shelf	779*348*25	1	刨花板 Particle board					
⑭	上隔板Upper clapboard	543*346*15	1	刨花板 Particle board					
⑮	左上中侧板 Upper middle sideboard(L)	1085*348*15	1	刨花板 Particle board					
⑯	左下中侧板 Lower middle sideboard(L)	586*316*15	1	刨花板 Particle board					
⑰	下隔板Down clapboard	149*286*15	2	刨花板 Particle board					
⑱	上活动层板 Upper movable shelf	381*344*15	2	刨花板 Particle board					
⑲	左活动层板Movable shelf(L)	381*310*15	5	刨花板 Particle board					
⑳	下活动层板 Down movable shelf	778*310*15	3	刨花板 Particle board					
㉑	前拉条Front brace	1176*58*15	1	刨花板 Particle board					
㉒	左抽屉面板 Drawer's panel(L)	395*120*15	1	刨花板 Particle board					
㉓	中抽屉面板 Drawer's middle board	386*120*15	1	刨花板 Particle board					
㉔	右抽屉面板 Drawer's panel(R)	386*120*15	1	刨花板 Particle board					
㉕	抽屉左侧板 Drawer's side board(L)	295*78*12	3	刨花板 Particle board					



编号NO.	名称Name
②⑥	抽屉右侧板 Drawer's side board(R)
②⑦	抽屉后板 Drawer's Back board
②⑧	抽屉底板 Drawer's Bottom board
②⑨	右门板Door board(R)
②⑩	左门板Door board(L)
②⑪	上门板Upper door board
⑥	假抽屉面板 Fake drawer panel
⑥	上背板Upper back board
⑦	顶板Top board
⑧	面板Top panel
⑨	底板Bottom board
⑩	下层板Lower shelf
⑪	右固定层板Fixed shelf(R)
⑫	左固定层板Fixed shelf(L)
⑬	上层板Upper shelf
⑭	上隔板Upper clapboard
⑮	左上中侧板 Upper middle sideboard(L)
⑯	左下中侧板 Lower middle sideboard(L)
⑰	下隔板Down clapboard
⑱	上活动层板 Upper movable shelf
⑲	左活动层板Movable shelf(L)
⑳	下活动层板 Down movable shelf
㉑	前拉条Front brace
㉒	左抽屉面板 Drawer's panel(L)
㉓	中抽屉面板 Drawer's middle board
㉔	右抽屉面板 Drawer's panel(R)
㉕	抽屉左侧板 Drawer's side board(L)

安装方法 Installation method



二合一 two-in-one

阀门开关(下压为开)
Valve switch (press down to open)

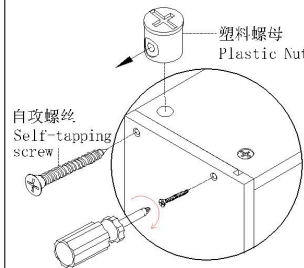


主轨 Main track



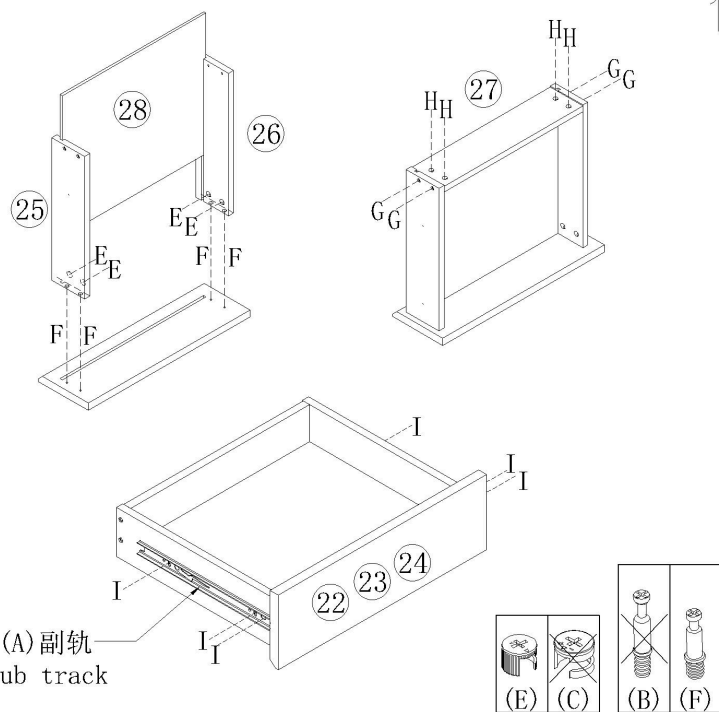
副轨 Sub track

三节滚珠导轨-10"
Three-section rail

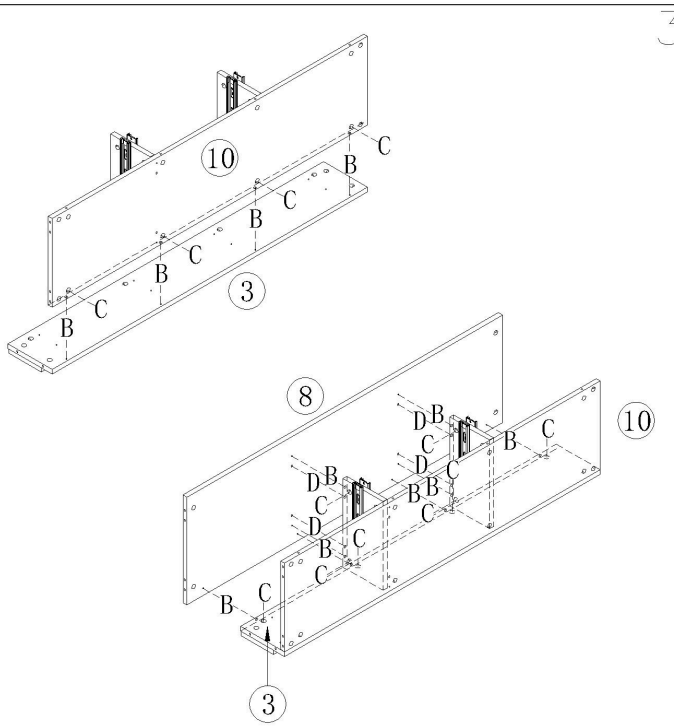


塑料螺母 Plastic Nut

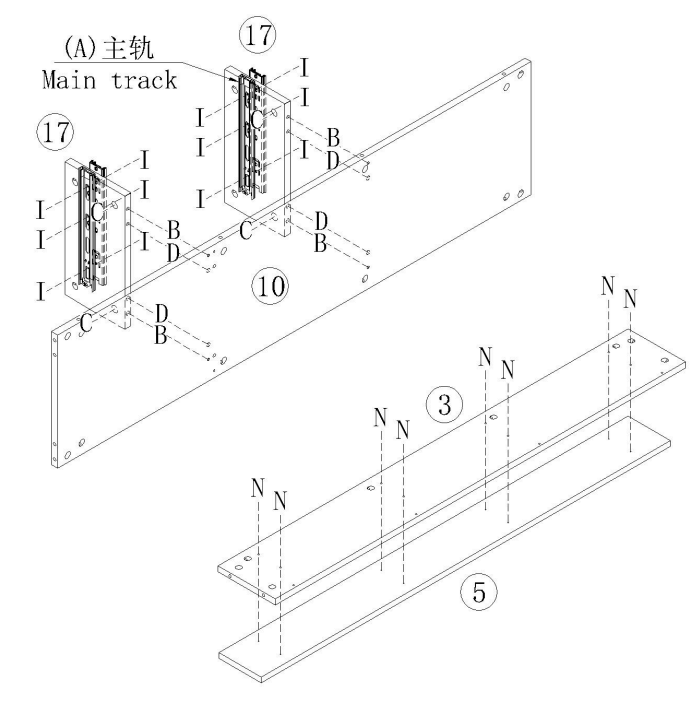
- (E)*12
- (F)*12
- (G)*12
- (H)*12
- (A)*3
- (I)*18



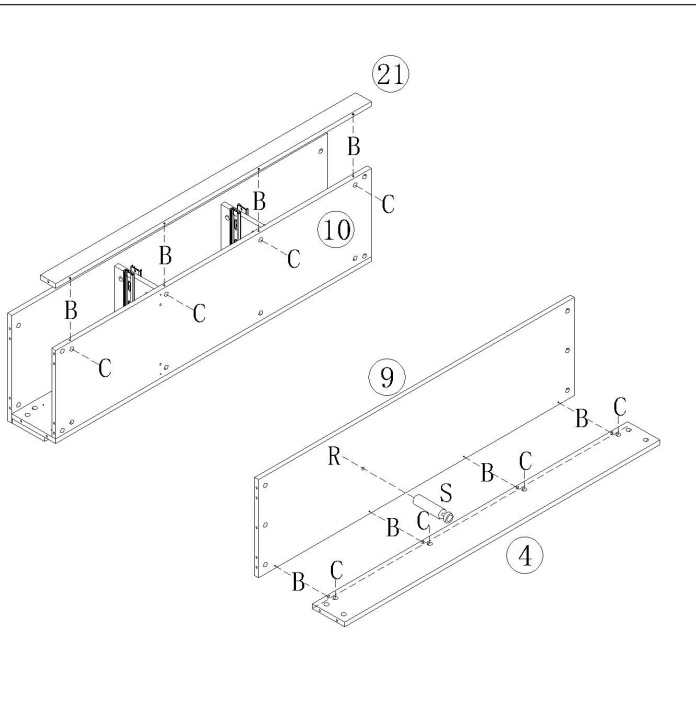
- (B)*12
- (C)*12
- (D)*4



- (B)*4
- (C)*4
- (D)*4
- (N)*8
- (A)*3
- (I)*18



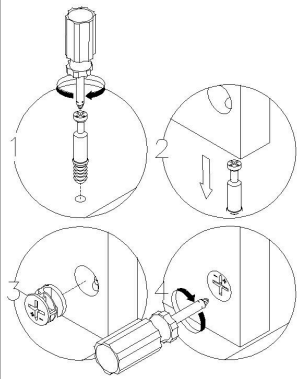
- (B)*8
- (C)*8
- (R)*1
- (S)*1



OV10-A (1.2m)

5

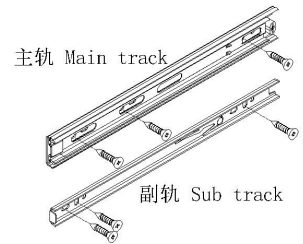
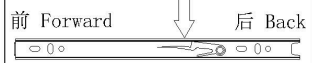
安装方法
Installation method



- (B)*10
- (C)*10
- (D)*10

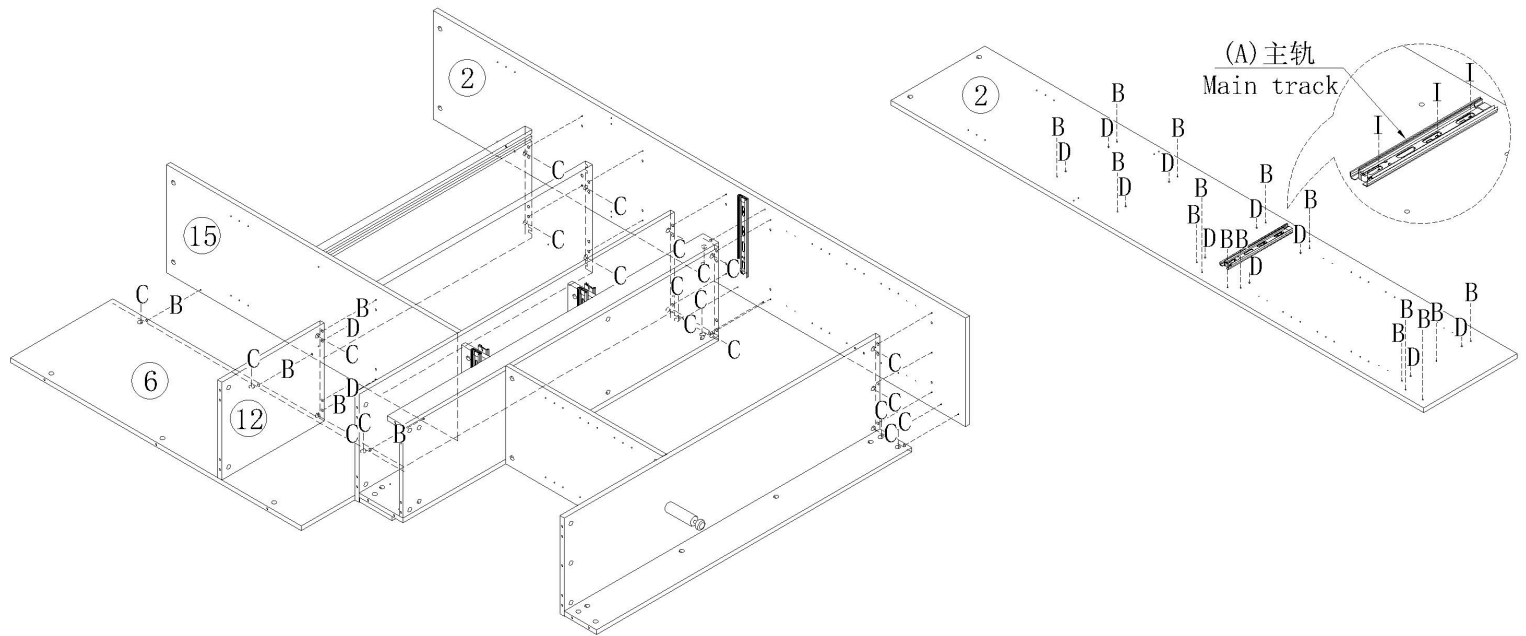
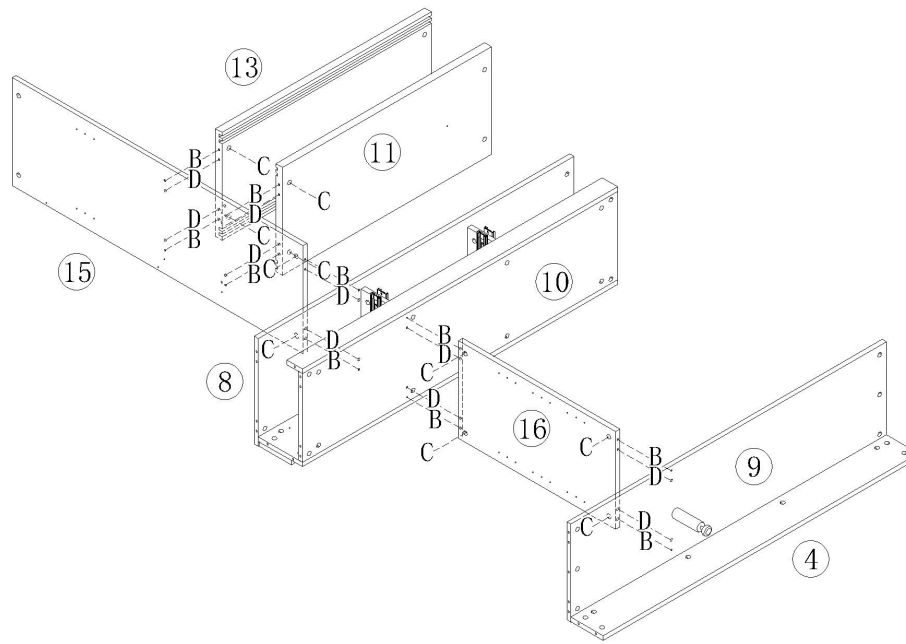
二合一 two-in-one

阀门开关(下压为开)
Valve switch (press down to open)



三节滚珠导轨-10"
Three-section rail

- (B)*21
- (C)*21
- (D)*12
- (A)*0.5
- (I)*3

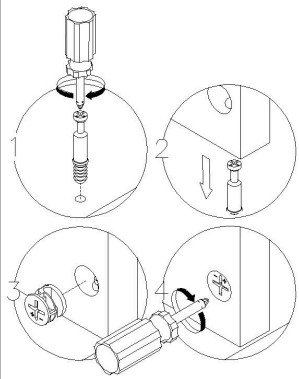


6

OV10-A (1.2m)

安装方法

Installation method



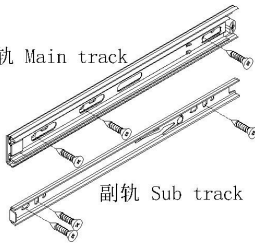
二合一 two-in-one

阀门开关(下压为开)
Valve switch (press down to open)

前 Forward 后 Back



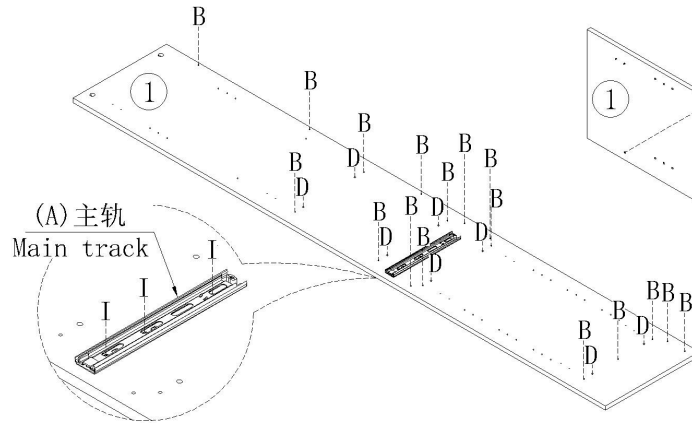
主轨 Main track



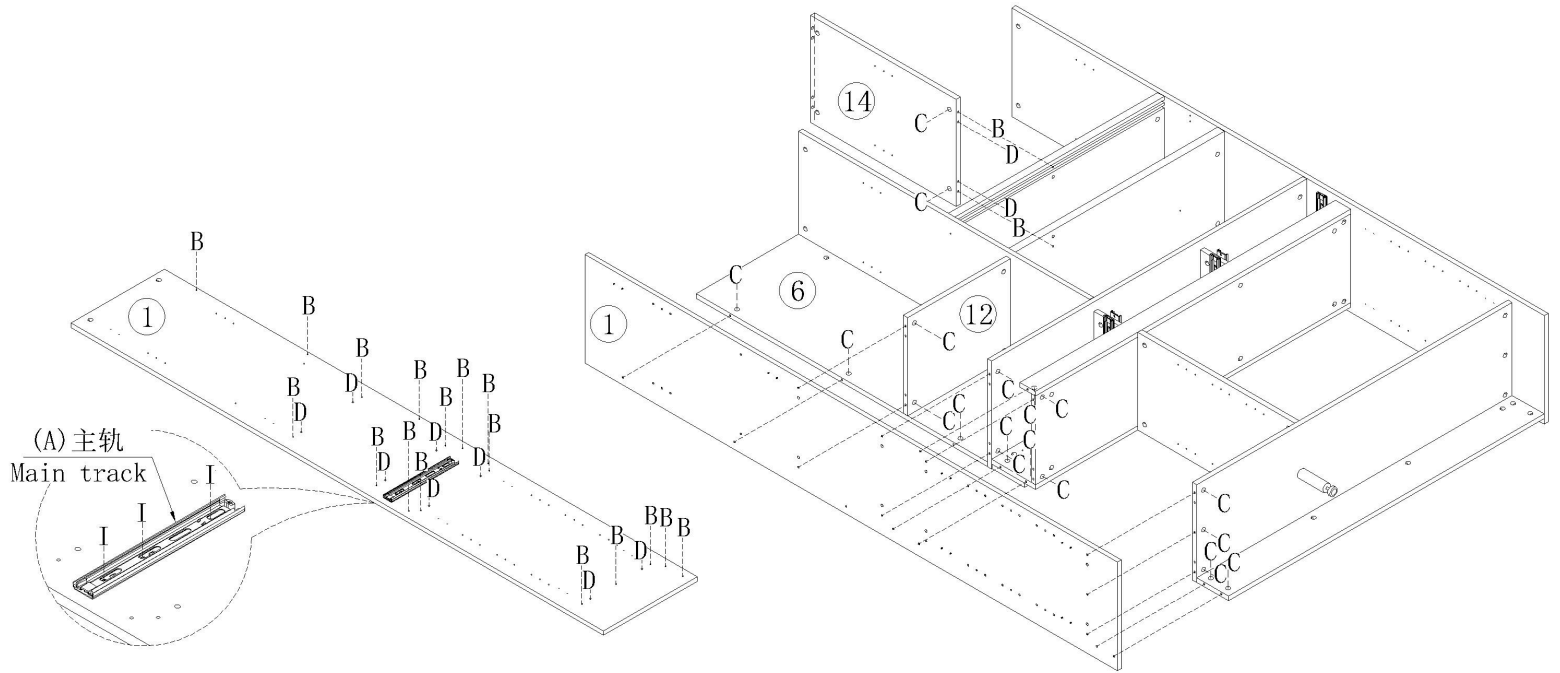
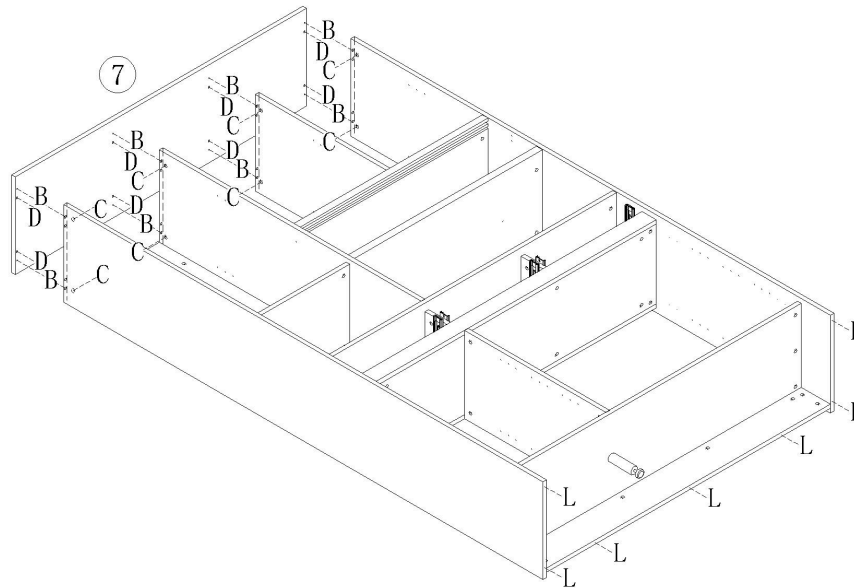
副轨 Sub track

三节滚珠导轨-10"
Three-section rail

- (B)*19
- (C)*19
- (D)*10
- (A)*0.5
- (I)*3



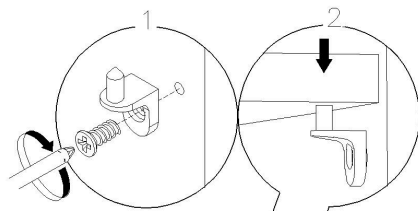
- (B)*8
- (C)*8
- (D)*8
- (L)*7



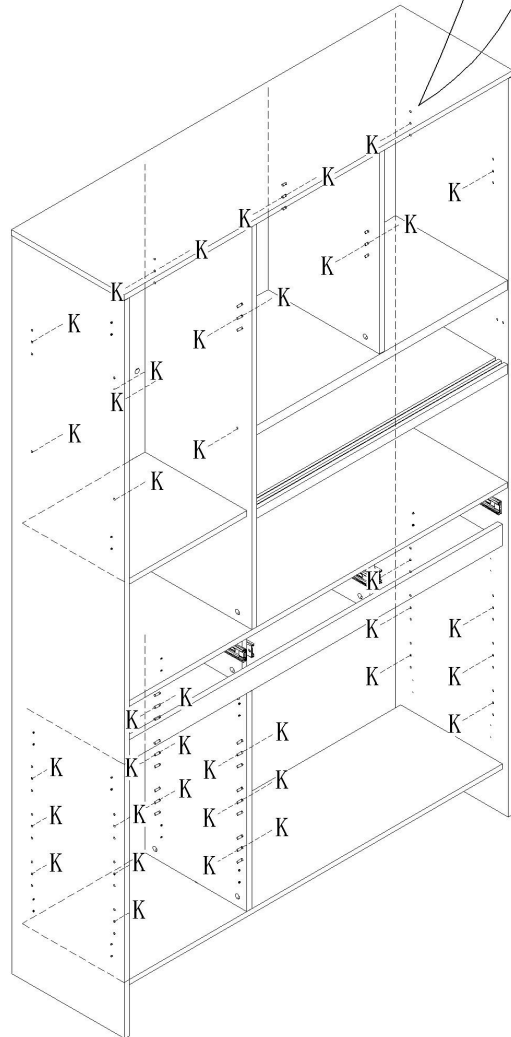
安装方法

Installation method

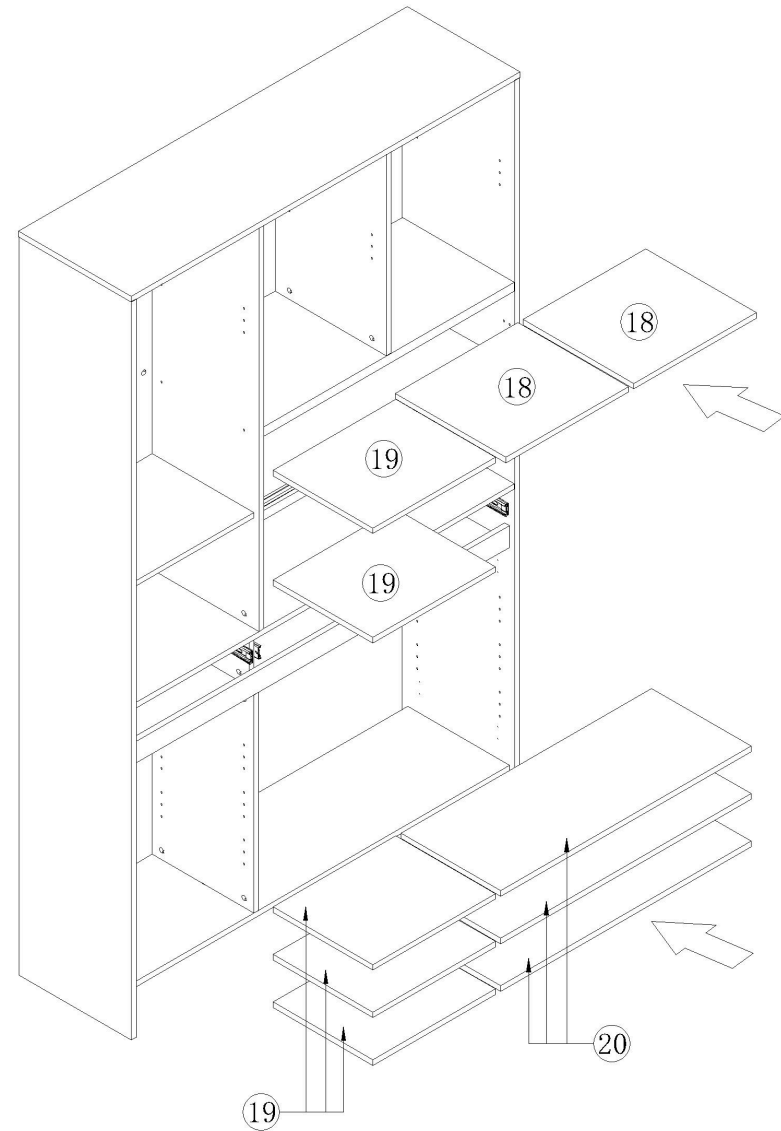

(K)*40



9



10

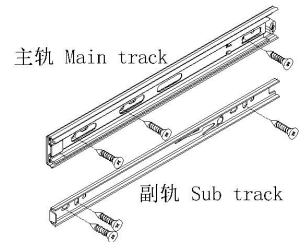


安装方法

Installation method

阀门开关(下压为开)
Valve switch (press down to open)

前 Forward 后 Back

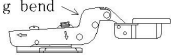


主轨 Main track

副轨 Sub track

三节滚珠导轨-10"
Three-section rail

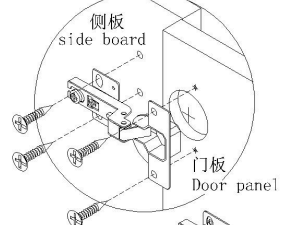
大弯 big bend



中弯 middle bending



直弯 straight bending



侧板
side board

门板
Door panel

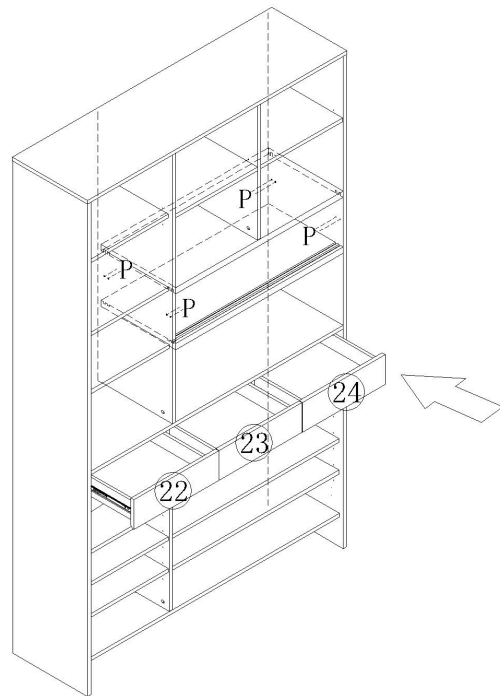
调节上下
Adjust up and down

调节左右
Adjust left and right

调节前后
Before and after adjustment

门铰 Hinge

(P)*8

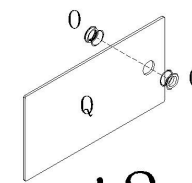
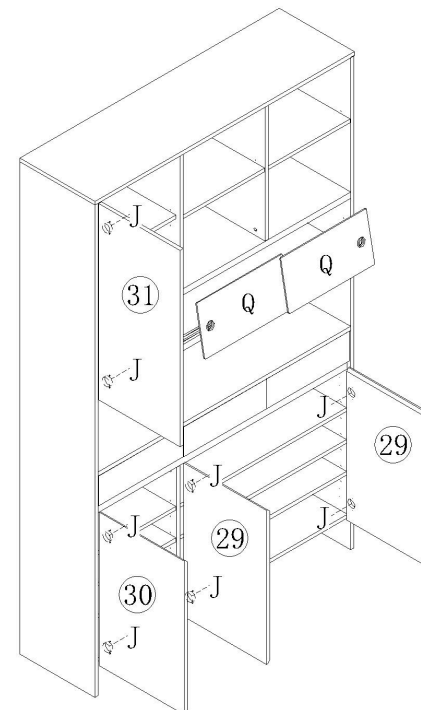


11

(J)*8

(O)*2

(Q)*2



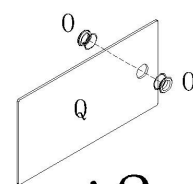
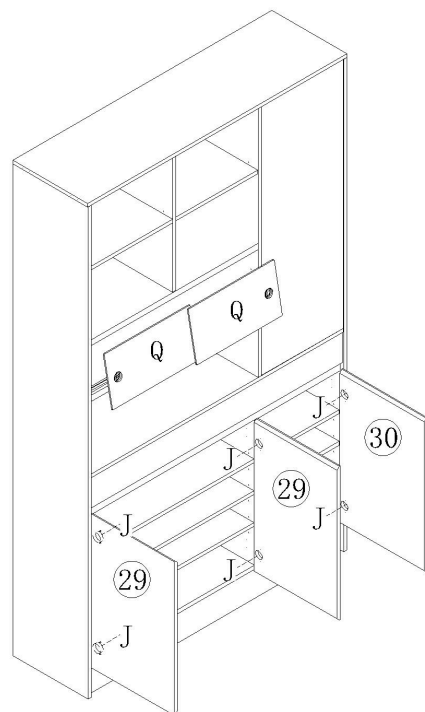
*2

12

(J)*6

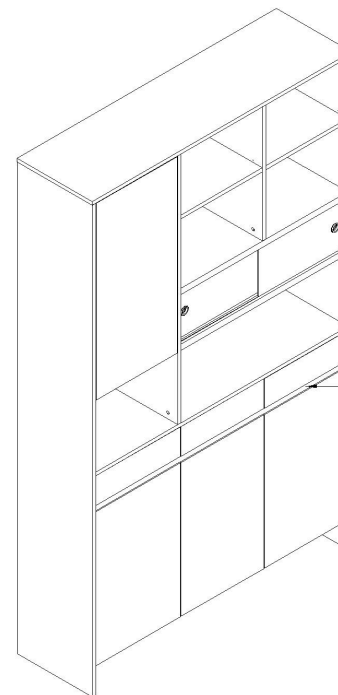
(O)*2

(Q)*2



*2

13

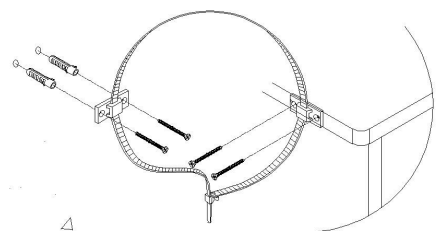


此处缝隙设计为开启抽屉、门板使用
小心夹伤
The gap here is designed as:
Open drawer and door panel for use
Beware of pinching

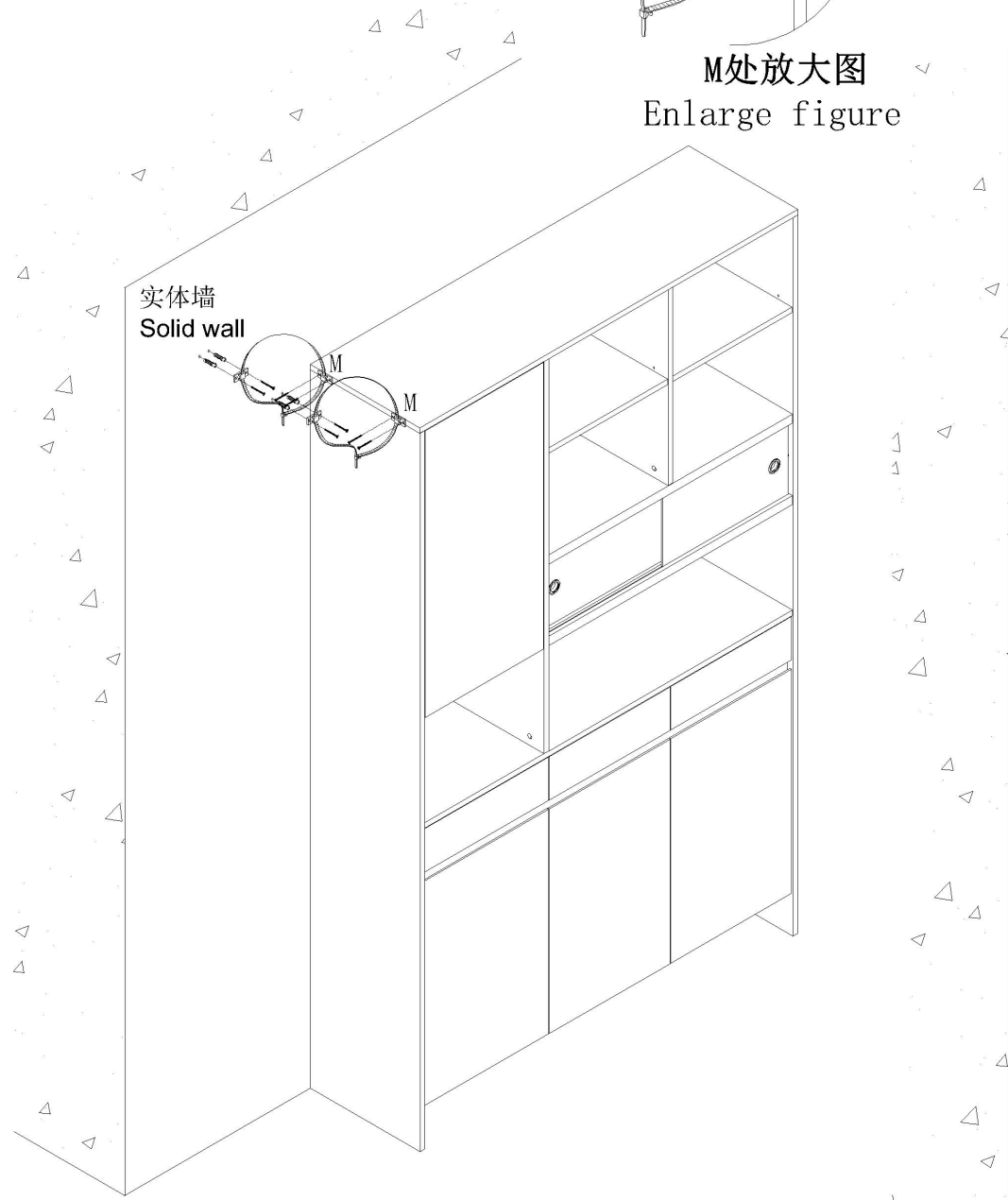
14

安装方法
Installation method

(M)*2



M处放大图
Enlarge figure



实体墙
Solid wall

