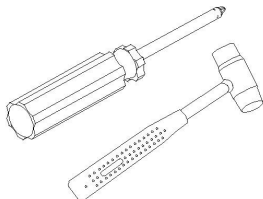
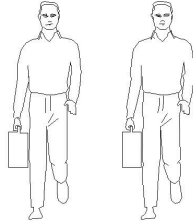


LINSY 林氏家居

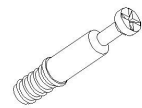
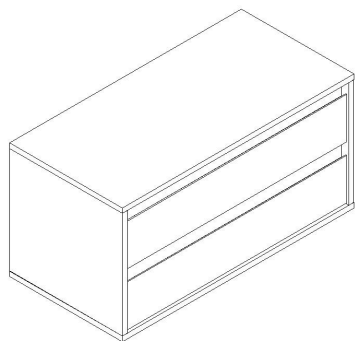
五金表/Hardware list

部件表/Parts List

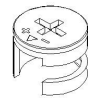
安装示意图/Assembly Instruction

产品名称 Model NO.	KQ8E-C
产品规格 Specification	720*350*363mm
安装工具 Tool	安装人数 Installer
	

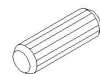
注：为保证设计效果，部分尺寸为定制尺寸，不影响使用。



(A)*34
二合一螺杆
2-in-1-screw



(B)*34
大三合一锁饼
3-in-1 large lock



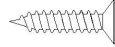
(C)*8
木榫Ø8x30mm
Wood tenon



(D)*4
灰色毛毡垫
Foot pad



(E)*29
自攻螺丝M3.5*12mm
Tapping screw



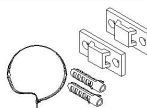
(F)*13
自攻螺丝M3.5*16mm
Tapping screw



(G)*6
背板扣
White buckle



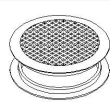
(H)*2
U型卡扣
U-shaped buckle



(I)*1
家具防倒器-白色
Anti-fall device



(J)*2
三节滚珠导轨10"
Three-section rail



(K)*1
透气孔盖-白色
Breathable cover



(L)*2
亚克力
Acrylic

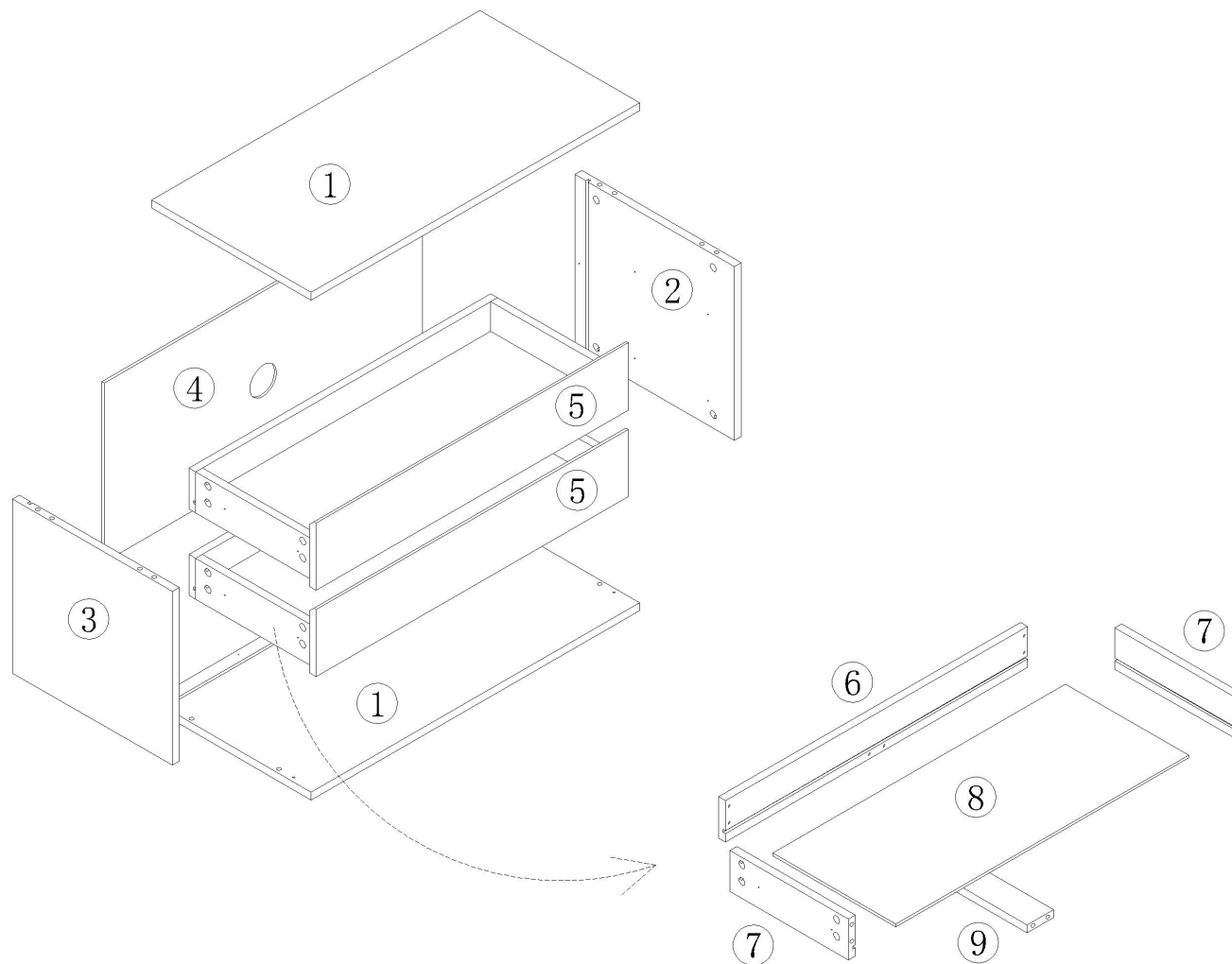


(M)*6
镜钉
Mirror nail



(N)*34
PVC孔贴
PVC hole sticker

编号NO.	名称Name	规格(mm) Specification	数量QTY	材质Material
①	顶底板Top base board	720*350*15	2	刨花板 Particle board
②	右侧板Side board (R)	330*350*15	1	刨花板 Particle board
③	左侧板Side board (L)	330*350*15	1	刨花板 Particle board
④	背板Back board	698*340*5	1	纤维板 Fiberboard
⑤	抽屉面板 Drawer's top panel	684*128*15	2	刨花板 Particle board
⑥	抽屉后板 Drawer's Back board	662*78*15	2	刨花板 Particle board
⑦	抽屉侧板 Drawer's side board (R)	260*78*15	4	刨花板 Particle board
⑧	抽屉底板 Drawer's Bottom board	642*270*5	2	纤维板 Fiberboard
⑨	抽屉底托条 Drawer's bottom bracket	260*58*15	2	刨花板 Particle board

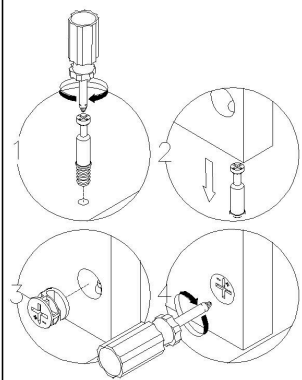


编号NO.	名称Name
①	顶底板Top base board
②	右侧板Side board(R)
③	左侧板Side board(L)
④	背板Back board
⑤	抽屉面板 Drawer's top panel
⑥	抽屉后板 Drawer's Back board
⑦	抽屉侧板 Drawer's side board(R)
⑧	抽屉底板 Drawer's Bottom board
⑨	抽屉底托条 Drawer's bottom bracket

KQ8E-C

安装方法

Installation method



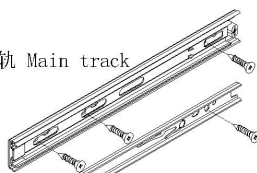
二合一 two-in-one

阀门开关(下压为开)
Valve switch (press down to open)

前 Forward 后 Back

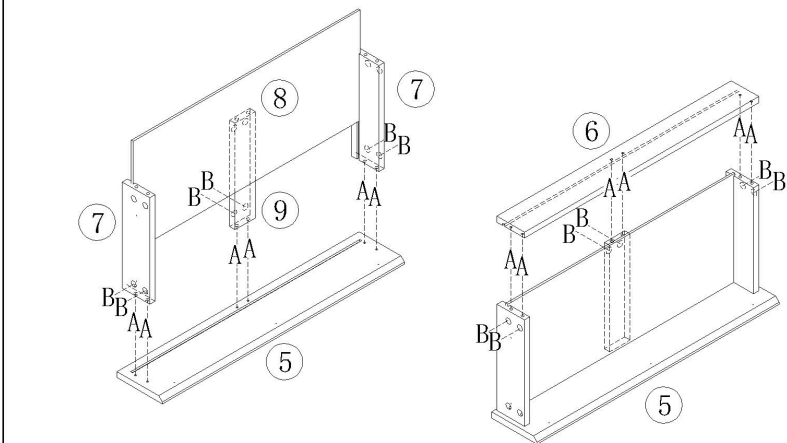


主轨 Main track

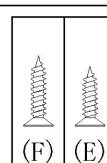
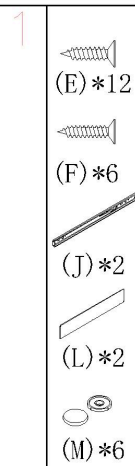


副轨 Sub track

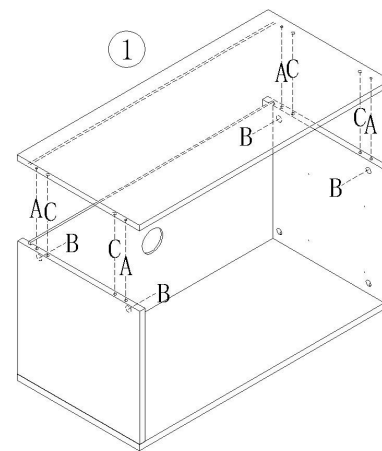
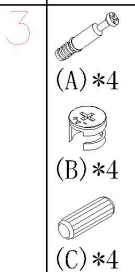
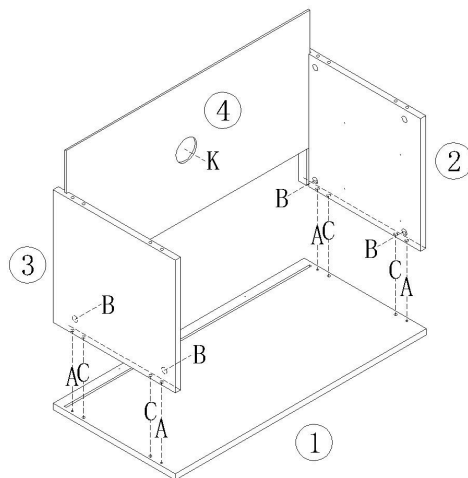
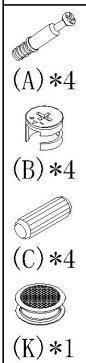
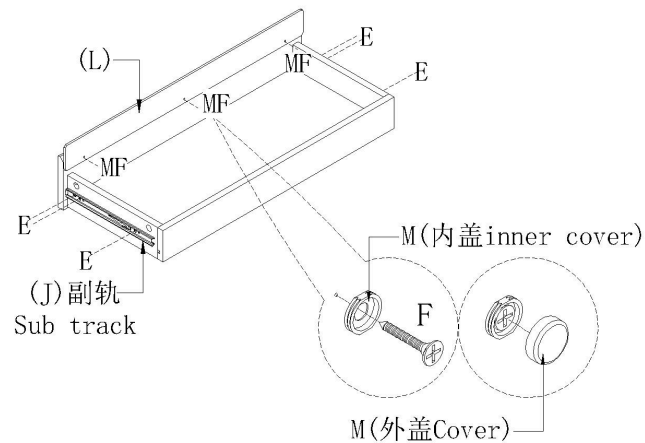
三节滚珠导轨-10"
Three-section rail



× 2



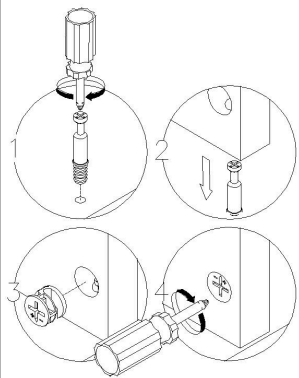
× 2



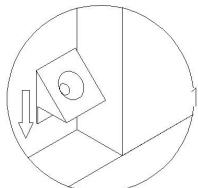
KQ8E-C

安装方法

Installation method



二合一 two-in-one



背板扣

Back Plate Buckle

阀门开关(下压为开)
Valve switch (press down to open)

前 Forward 后 Back



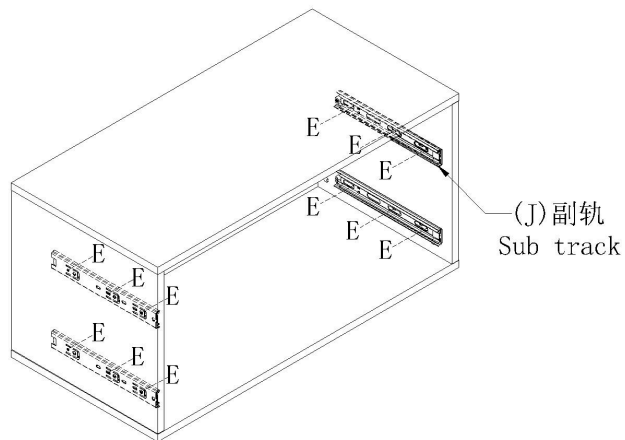
主轨 Main track



副轨 Sub track

三节滚珠导轨-10"
Three-section rail

(E)*12
(J)*2



(J) 副轨
Sub track

7

孔位贴使用小贴士

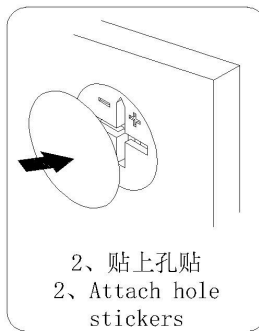
产品安装完成后请贴上孔贴，多出的孔贴请保管好

Tips for using hole stickers:

After the product installation is completed, please attach the hole stickers. Please keep any extra hole stickers safe



1、擦干净孔位
1、Clean the hole position thoroughly

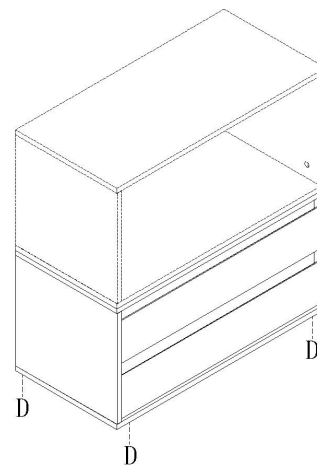


2、贴上孔贴
2、Attach hole stickers

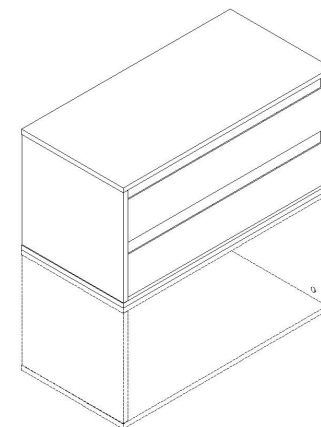


3、24小时内勿碰水
3、Do not touch water within 24 hours

(D)*4



接触地面需安装五金(D)
Hardware installation required for contact with the ground (D)



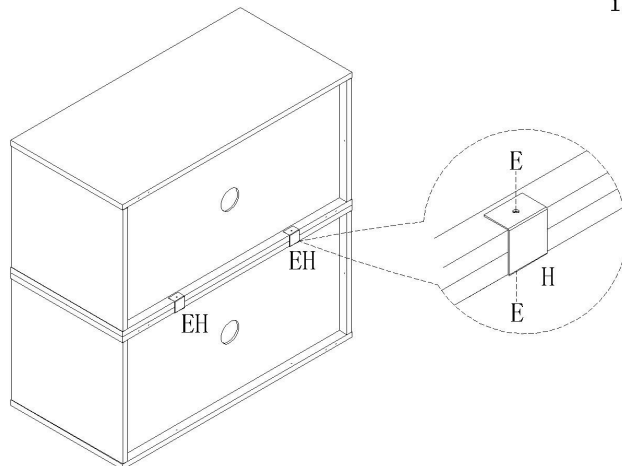
无接触地面不需安装五金(D)
No need to install hardware without touching the ground (D)

安装方法

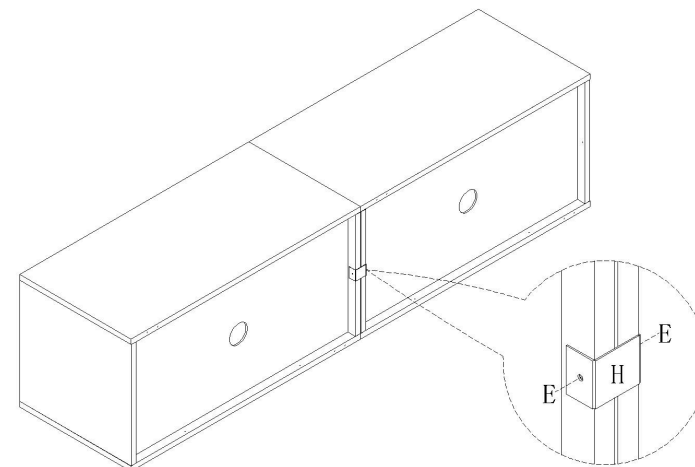
Installation method

←|
(E)*4
|
(H)*2

组合连接方式, 如只购买单个柜体无需安装
Combination connection method, such as purchasing only a single cabinet without installation

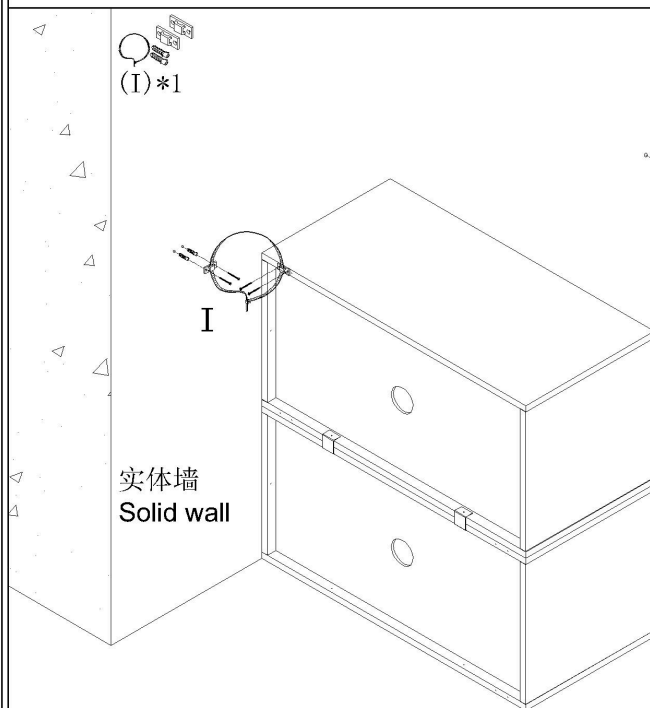


上下组合安装方式
Upper and lower combination installation method

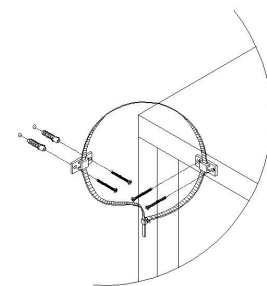


左右组合安装方式
Left and right combination installation method

△
(I)*1



实体墙
Solid wall



柜子组合高度超600mm
需安装上防倒器
Cabinet combination height exceeding 600mm requires installation of an anti fall device

