

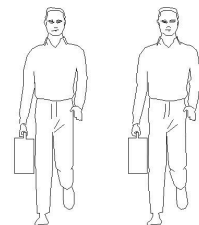
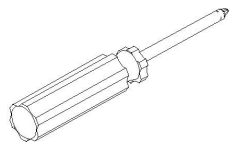
# LINSY 林氏家居

## 五金表/Hardware list

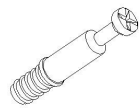
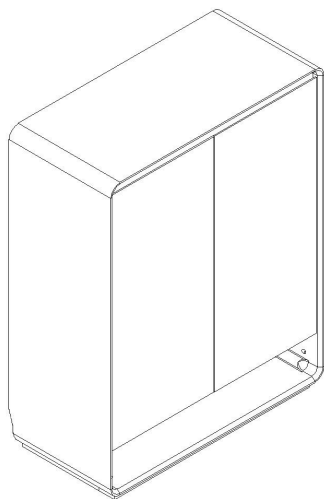
## 部件表/Parts List

### 安装示意图/Assembly Instruction

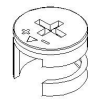
产品名称 Model NO.	RU1N-F 0.8m鞋柜
产品规格 Specification	796*380*1038mm
安装工具 Tool	安装人数 Installer



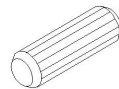
注：为保证设计效果，部分尺寸为定制尺寸，不影响使用。



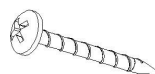
(A)\*38  
二合一螺轩  
2-in-1-screw



(B)\*38  
大三合一锁饼  
3-in-1 large lock



(C)\*17  
木榫Ø8x30mm  
Wood tenon



(D)\*7  
大扁白攻M4\*30mm  
Flat head tapping screw



(E)\*8  
白攻螺丝M3.5\*14mm  
Tapping screw



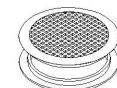
(F)\*8  
背板扣  
White buckle



(G)\*16  
层板托5mm  
shelf support



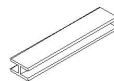
(H)\*7  
灰色毛毡垫  
Foot pad



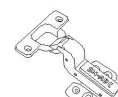
(I)\*2  
透气孔盖  
Vent cover - white



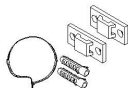
(J)\*38  
PVC孔贴  
PVC hole sticker



(K)\*1  
夹板条 L=765mm  
Splint strip

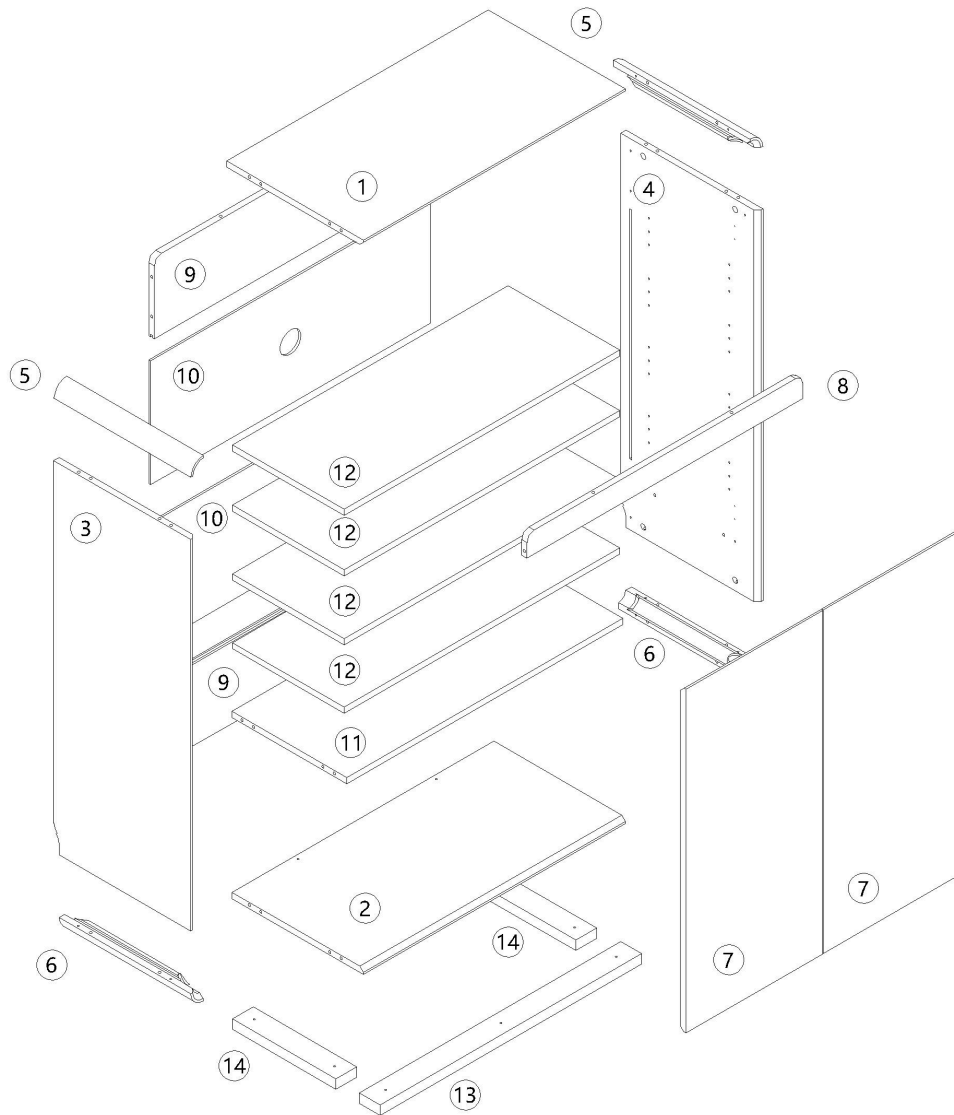


(L)\*4  
缓冲门铰大弯-杯径Ø35  
Great bend hinge



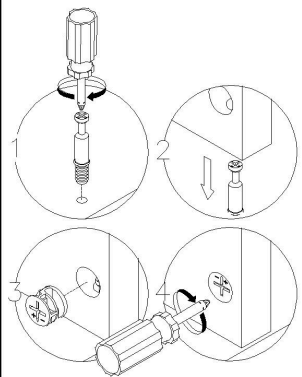
(M)\*1  
家具防倒器-白色  
Anti-fall device

编号NO.	名称Name	规格(mm) Specification	数量QTY	材质Material
①	面板Top panel	726*380*15	1	刨花板 Particle board
②	底板Bottom board	726*365*15	1	刨花板 Particle board
③	左侧板Side board(L)	940*380*15	1	刨花板 Particle board
④	右侧板Side board(R)	940*380*15	1	刨花板 Particle board
⑤	转角木1Corner connection wood1	380*40*40	2	橡胶木Rubber wood
⑥	转角木2Corner connection wood2	365*40*40	2	橡胶木Rubber wood
⑦	门板Door board	825*380*15	2	刨花板 Particle board
⑧	拉条Brace	766*58*15	1	刨花板 Particle board
⑨	背拉条Back brace	766*196*15	2	刨花板 Particle board
⑩	背板Back board	776*298*5	2	纤维板Fiberboard
⑪	层板Shelf	766*318*15	1	刨花板 Particle board
⑫	活动层板Movable shelf	765*310*15	4	刨花板 Particle board
⑬	前脚条Front foot strip	726*58*25	1	刨花板 Particle board
⑭	侧脚条Side foot strip	287*58*25	2	刨花板 Particle board



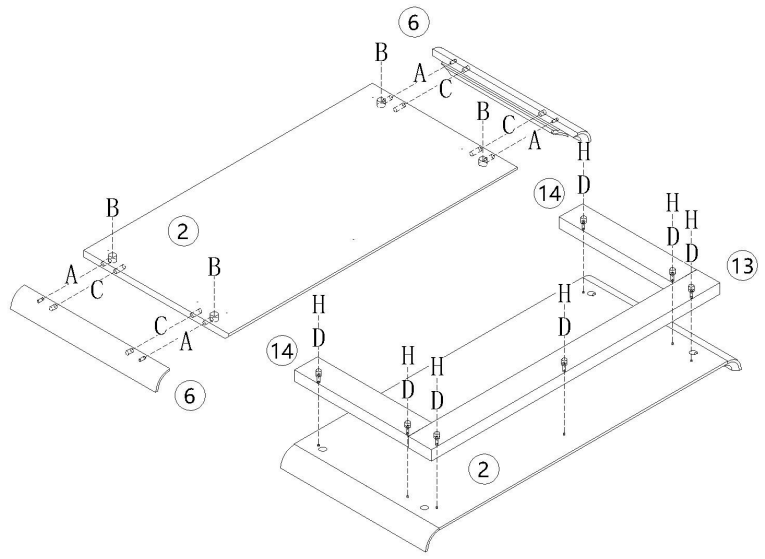
编号NO.	名称Name
①	面板Top panel
②	底板Bottom board
③	左侧板Side board (L)
④	右侧板Side board (R)
⑤	转角木1Corner connection wood1
⑥	转角木2Corner connection wood2
⑦	门板Door board
⑧	拉条Brace
⑨	背拉条Back brace
⑩	背板Back board
⑪	层板Shelf
⑫	活动层板Movable shelf
⑬	前脚条Front foot strip
⑭	侧脚条Side foot strip

安装方法/  
Installation method

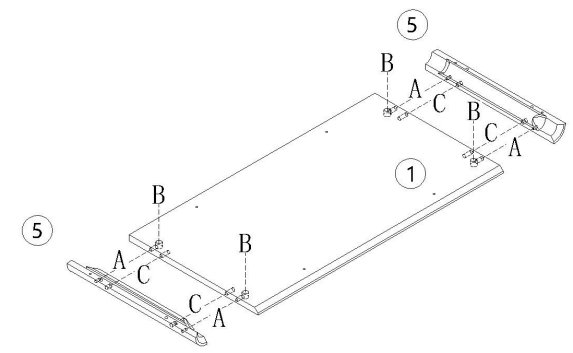


二合一 two-in-one

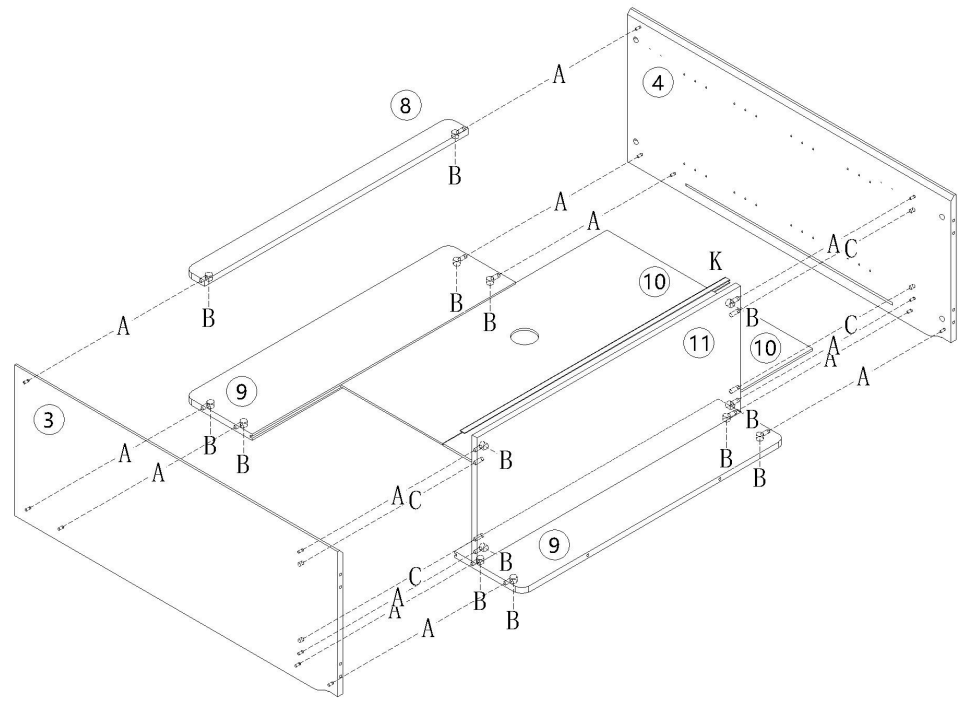
- (A)\*4
- (B)\*4
- (C)\*4
- (D)\*7
- (H)\*7



- (A)\*4
- (B)\*4
- (C)\*4

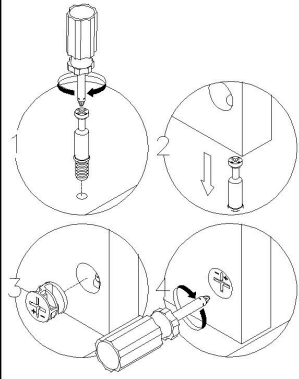


- (A)\*14
- (B)\*14
- (C)\*4
- (K)\*1



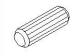


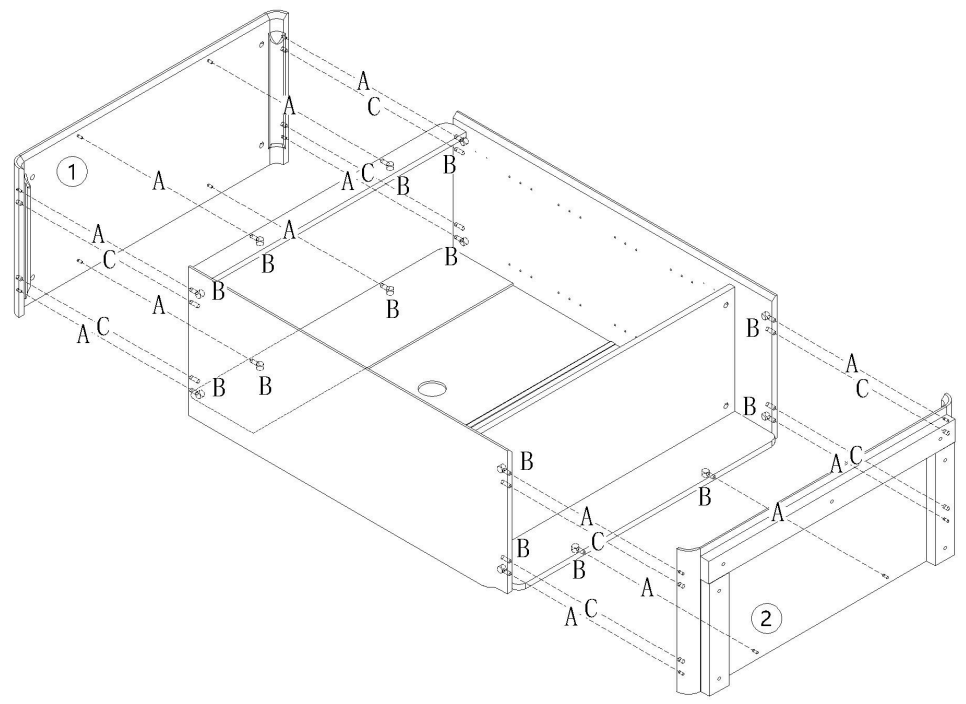
RU1N-F 0.8m鞋柜

安装方法/  
Installation method



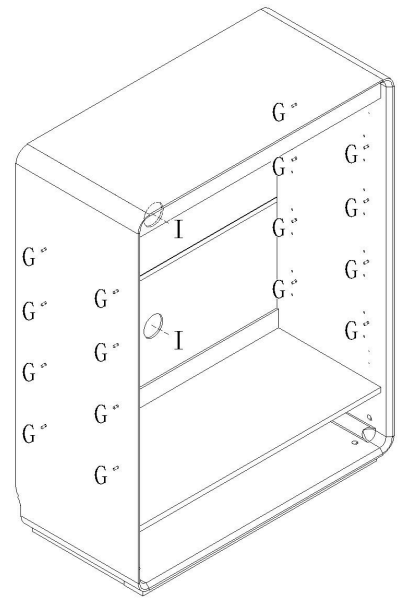
二合一 two-in-one

-  (A)\*14
-  (B)\*14
-  (C)\*8

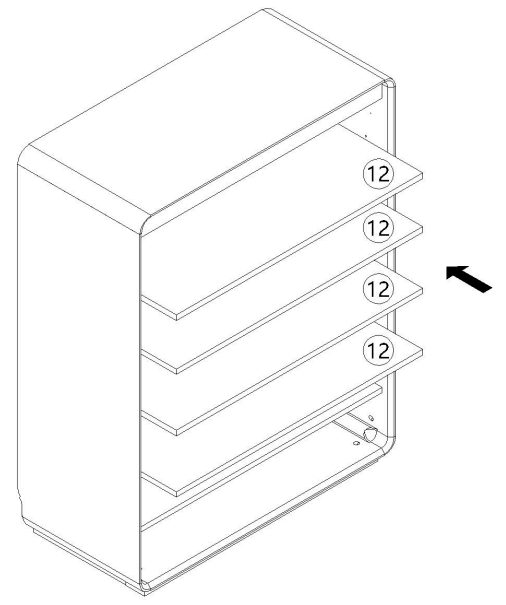


-  (G)\*16
-  (I)\*2

5



6

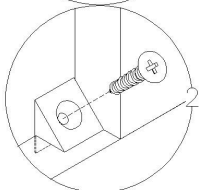
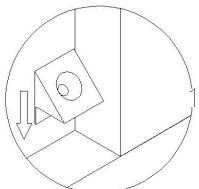


RU1N-F 0.8m鞋柜

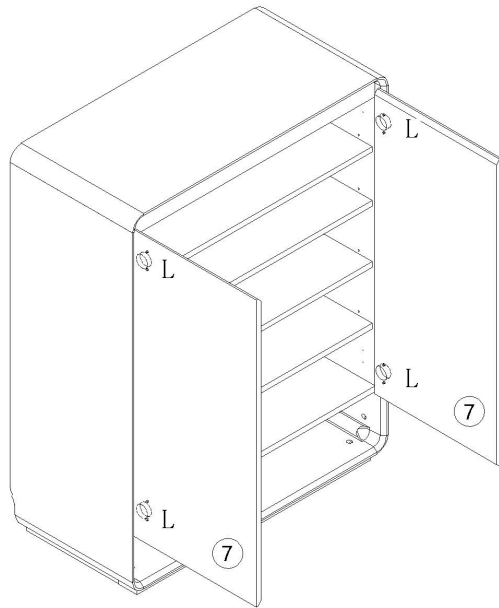


(L)\*4

安装方法/  
Installation method

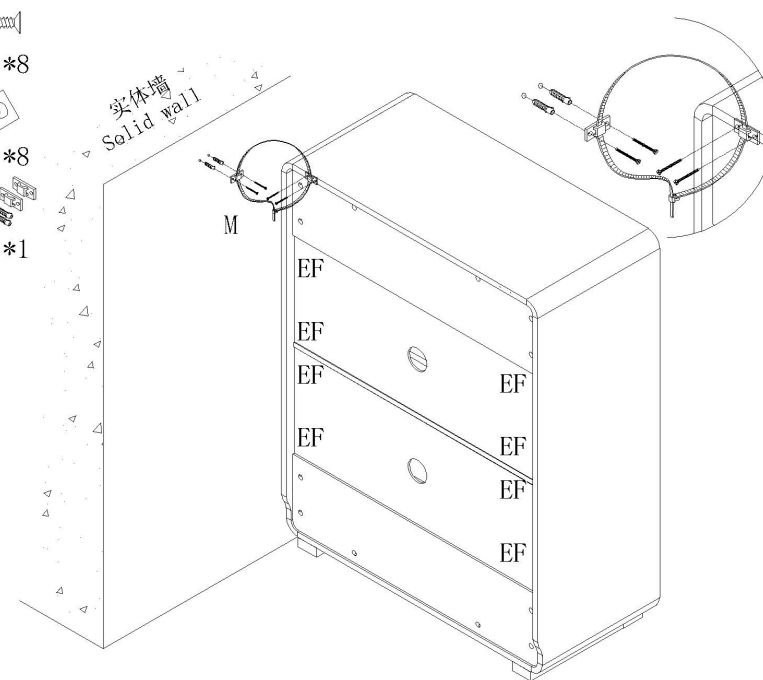


背板扣  
Back Plate Buckle



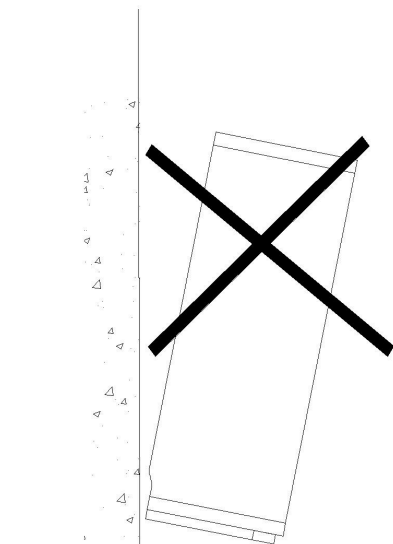
7

- (E)\*8
- (F)\*8
- (M)\*1



8

9



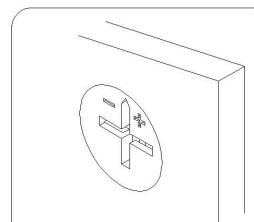
10

孔位贴使用小贴士

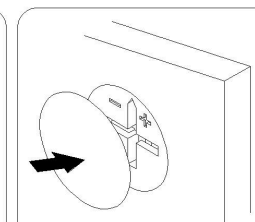
产品安装完成后请贴上孔贴，多出的孔贴请保管好

Tips for using hole stickers:

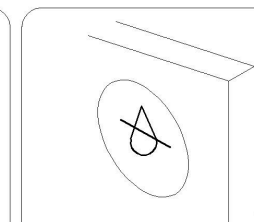
After the product installation is completed, please attach the hole stickers. Please keep any extra hole stickers safe



1、擦干净孔位  
1、Clean the hole position thoroughly



2、贴上孔贴  
2、Attach hole stickers



3、24小时内勿碰水  
3、Do not touch water within 24 hours