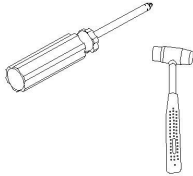
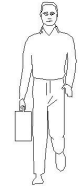
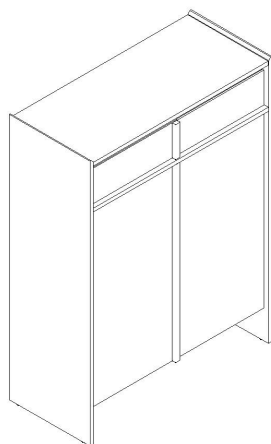


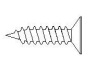
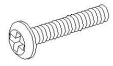



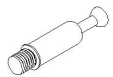

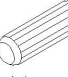
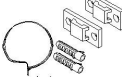





安装示意图/Assembly Instruction

产品名称 Model NO.	鞋柜
产品型号 Product Model	YZ1N-A(0.8m)
尺寸规格 Specification	(809*360*1103)mm
安装工具 Tool	安装人数 Installer
	

注：为保证设计效果，部分尺寸为定制尺寸，不影响使用。



 (A)* 2 三节滚珠导轨-8" three-section ball rail	 (B)* 1 线条L=778 Backplane slot	 (C)* 34 自攻螺丝M3.5x14mm Self-tapping screw bevel cross screw	 (D)* 1 斜边十字螺杆-M8x30 Self-tapping screw bevel cross screw
 (E)* 8 背板扣 Back Plate Buckle-White	 (F)* 12 层板托 shelf support	 (G)* 4 缓冲门较大弯-Ø35 Hinge-big bends	 (H)* 46 二合一螺杆 2-in-1-screw
 (I)* 46 大三合一锁扣 Three-in-one large lock	 (J)* 15 木榫Ø8x30mm wood tenon	 (K)* 1 家具防倒器-白色 Anti-fall device white	 (L)* 4 灰色毛毡脚垫 Footrest - Grey
 (M)* 2 透气孔盖-白色 Vent cover - white	 (N)* 1 脚(直径30*126mm) Hardware feet		

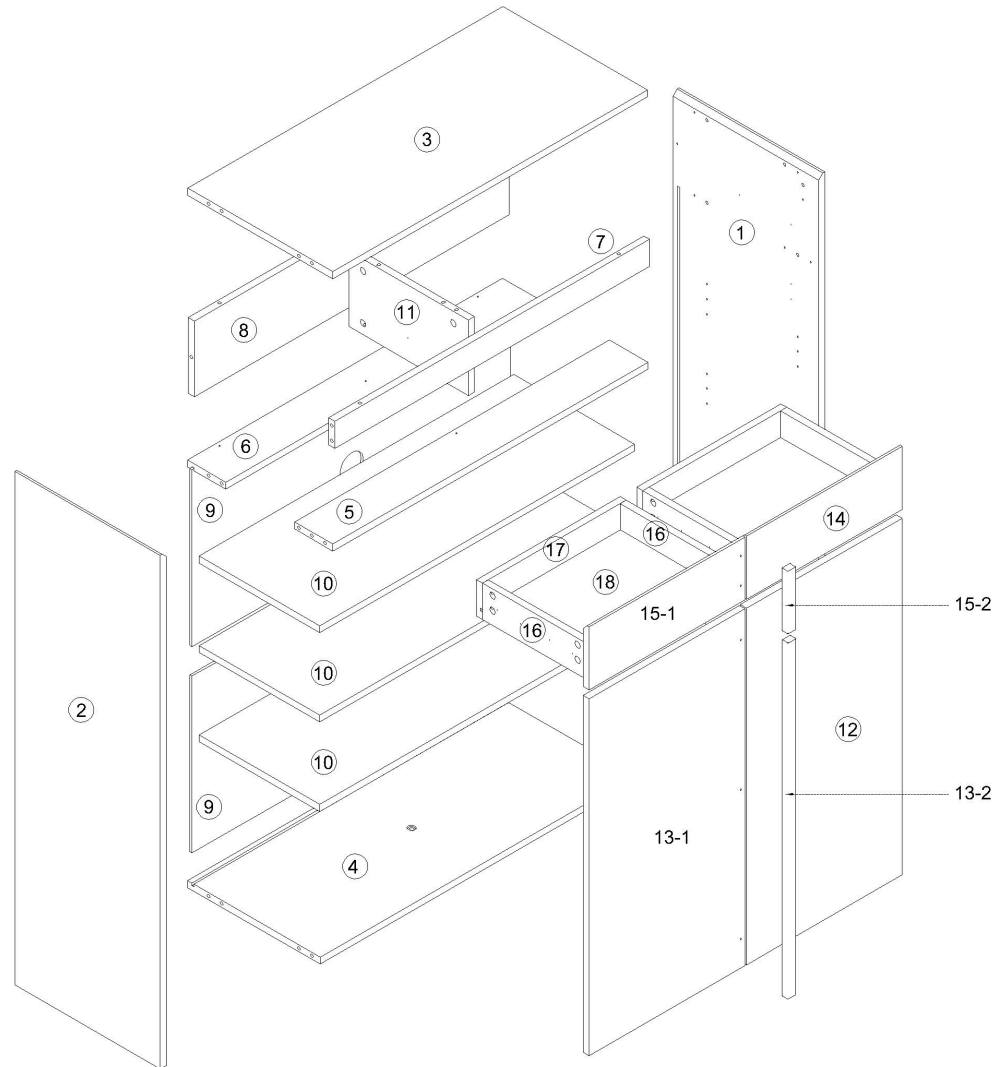
编号NO.	名称Name	规格 (mm) Specification	数量 QTY	材质Material
①	右侧板 Side board(R)	1100*360*15	1	刨花板Particle board
②	左侧板 Side board(L)	1100*360*15	1	刨花板Particle board
③	面板 Top panel	779*358*15	1	刨花板Particle board
④	底板 Bottom board	779*327*15	1	刨花板Particle board
⑤	前拉条 Front brace	779*95*15	1	刨花板Particle board
⑥	后拉条 Back brace	779*95*15	1	刨花板Particle board
⑦	前档条 Front blocking strip	779*45*15	1	刨花板Particle board
⑧	上背板 Upper back board	779*162*15	1	刨花板Particle board
⑨	下背板 Lower back board	789*379*5	2	纤维板Fiberboard
⑩	大活动层板 Large Movable shelf	778*298*15	3	刨花板Particle board
⑪	上中隔板 Upper middle clapboard	296*162*15	1	刨花板Particle board
⑫	右门板 Door board(R)	764*386*15	1	刨花板Particle board
⑬	左门板组立 Door board assembly(L)	764*386*30	1	刨花板+橡胶木Particle board+Rubber wood
⑭	右抽屉面板 Drawer's panel(R)	386*135*15	1	刨花板Particle board
⑮	左抽屉组立 Drawer panels assembly(L)	386*135*30	1	刨花板+橡胶木Particle board+Rubber wood
⑯	抽屉侧板 Drawer's sideboard	260*78*15	4	刨花板Particle board
⑰	抽屉后板 Drawer's Back board	356*78*15	2	刨花板Particle board
⑱	抽屉底板 Drawer's Bottom board	336*270*5	2	纤维板Fiberboard

▶ 注意：防倒器一定要按图安装！

▶ Be careful: The anti fall device must be installed!

▶ 注：门和抽屉都是设计所需设计缝，小心夹伤！

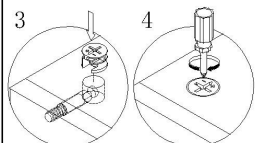
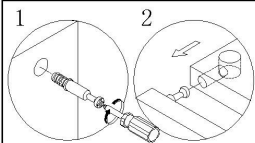
▶ Note: The doors and drawers are designed with necessary seams. Be careful not to pinch!



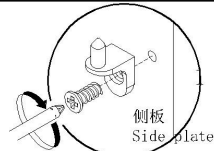
编号NO.	名称Name
①	右侧板 Side board(R)
②	左侧板 Side board(L)
③	面板 Top panel
④	底板 Bottom board
⑤	前拉条 Front brace
⑥	后拉条 Back brace
⑦	前档条 Front blocking strip
⑧	上背板 Upper back board
⑨	下背板 Lower back board
⑩	大活动层板 Large Movable shelf
⑪	上中隔板 Upper middle clapboard
⑫	右门板 Door board(R)
⑬	左门板组立 Door board assembly(L)
13-1	左门板 Door board (L)
13-2	门板拉手 Door handle
⑭	右抽屉面板 Drawer's panel (R)
⑮	左抽屉面组立 Drawer panels assembly(L)
15-1	左抽屉面板 Drawer panels (L)
15-2	抽屉拉手 Drawer handle
⑯	抽屉侧板 Drawer's sideboard
⑰	抽屉后板 Drawer's Back board
⑱	抽屉底板 Drawer's Bottom board

YZIN-A(0.8m)

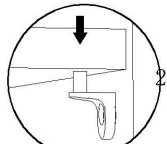
安装方法/
Installation method



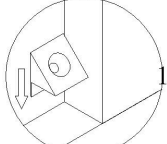
大二合一
two-in-one



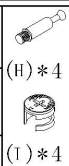
侧板
Side plate



层板托5mm
shelf support



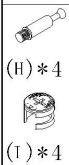
背板扣
Back Plate Buckle-White



(H)*4



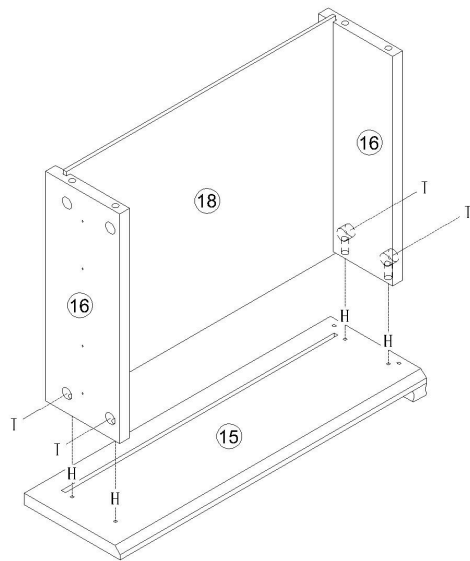
(I)*4



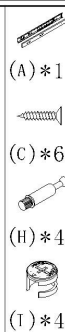
(H)*4



(I)*4



1



(A)*1



(C)*6

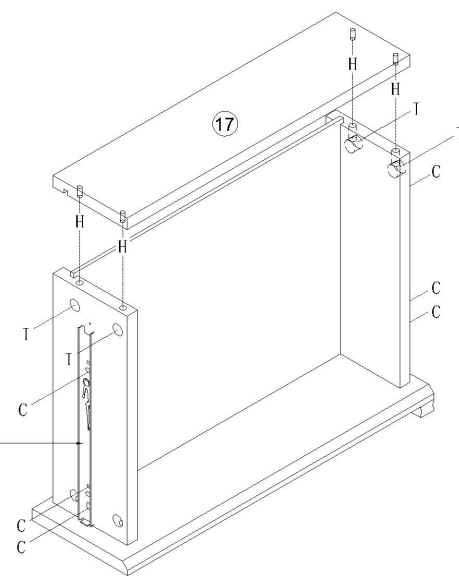


(H)*4

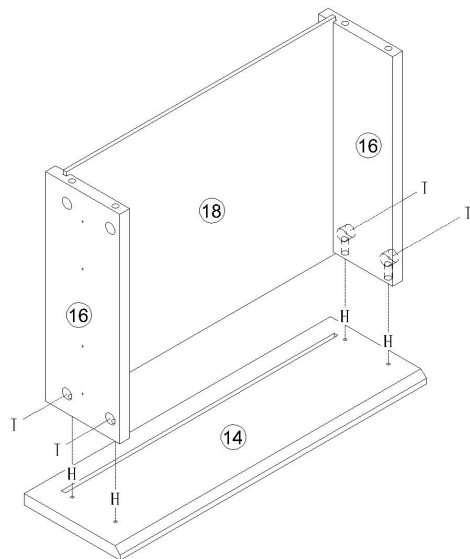


(I)*4

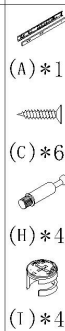
(A) 副轨
Sub rail



2



3



(A)*1



(C)*6

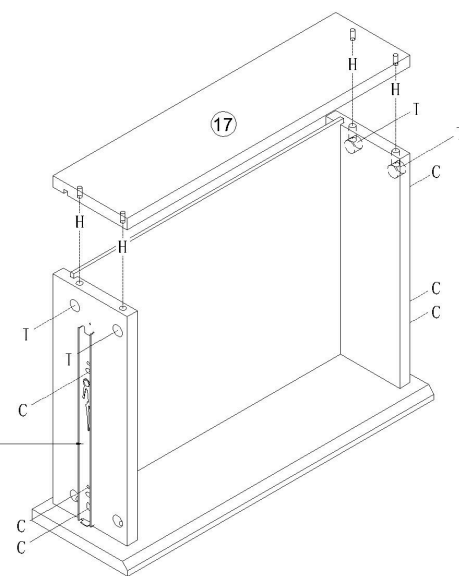


(H)*4



(I)*4

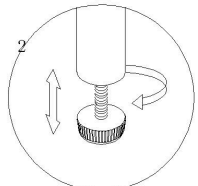
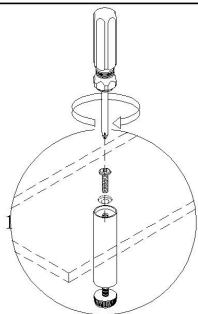
(A) 副轨
Sub rail



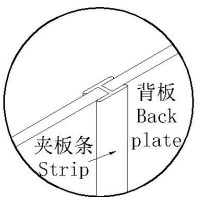
4

YZ1N-A(0.8m)

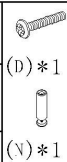
安装方法/
Installation method



铁中脚
Support foot



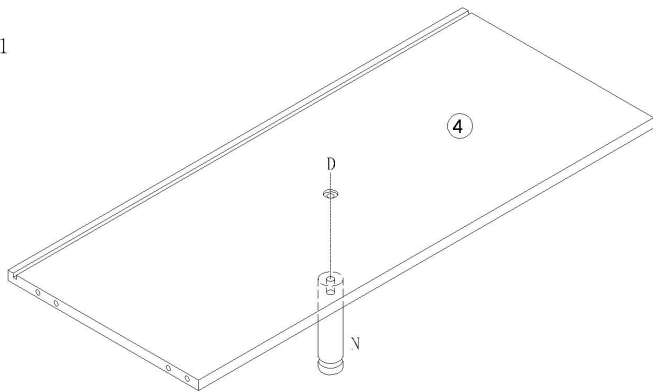
夹板条
Strip



(D)*1



(N)*1



5



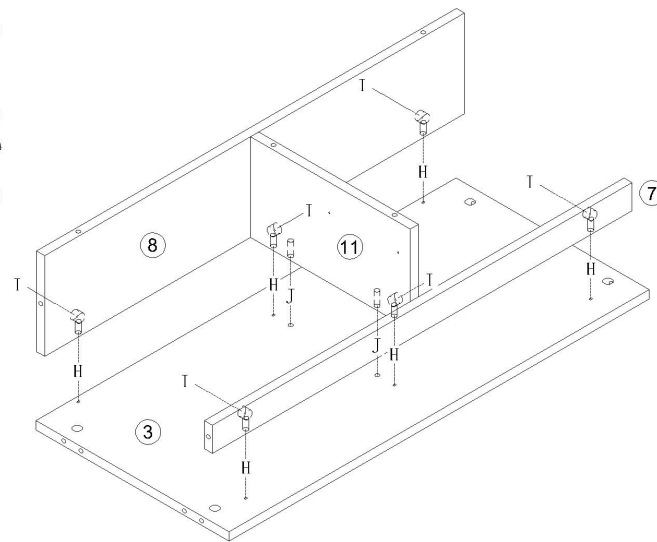
(H)*6



(I)*6



(J)*2



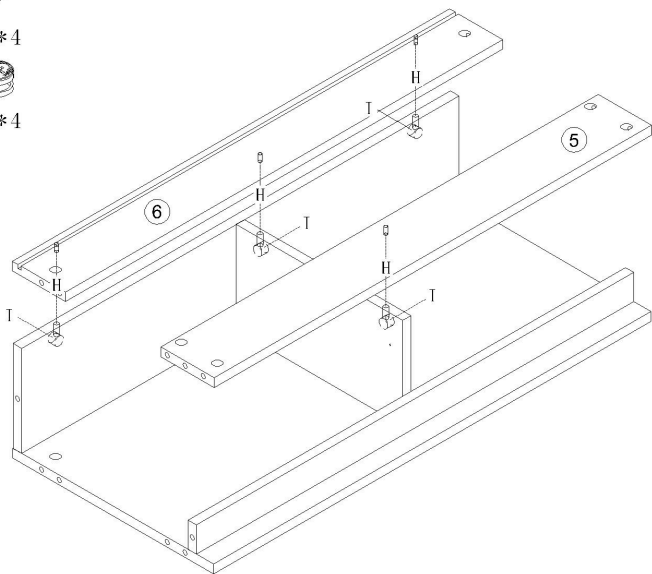
6



(H)*4



(I)*4



7



(H)*9



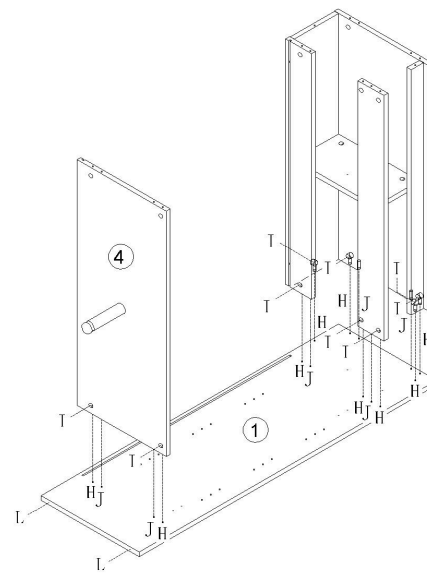
(I)*9



(J)*6



(L)*2

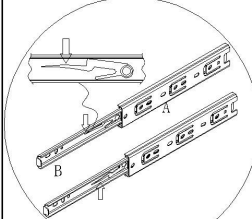


8

YZIN-A(0.8m)

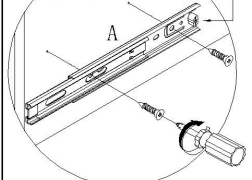
安装方法/
Installation method

1
阀门开关(下压为开)
Valve switch
(press down to open)

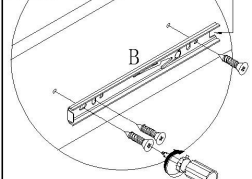


注: 先将A与B拆下来
Note: remove a and B first

2
侧板
side board
后after



3
抽屉侧板
sideboard
of the drawer
后after



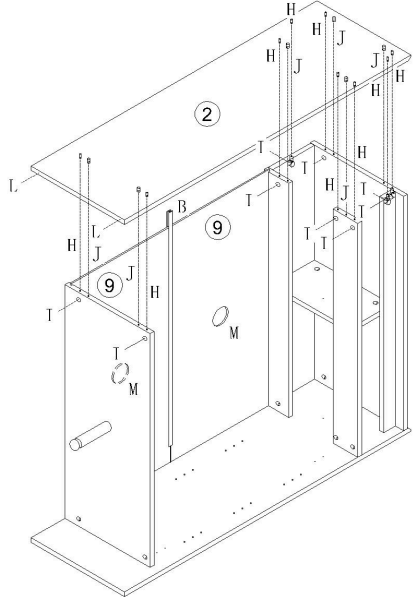
4
5



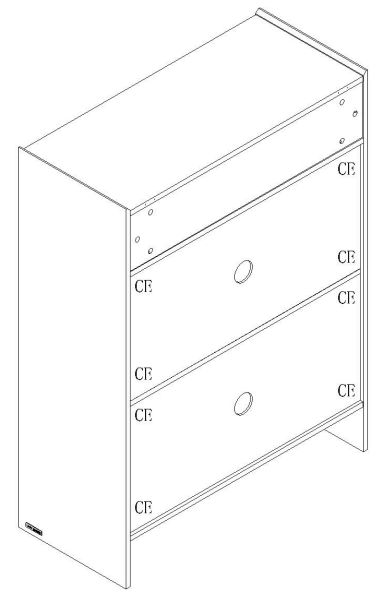
注: 将B对准A后推进去
Note: align B with a and push it in

三节滚珠导轨
three-section ball rail

- (B)*1
- (H)*9
- (I)*9
- (J)*6
- (L)*2
- (M)*2



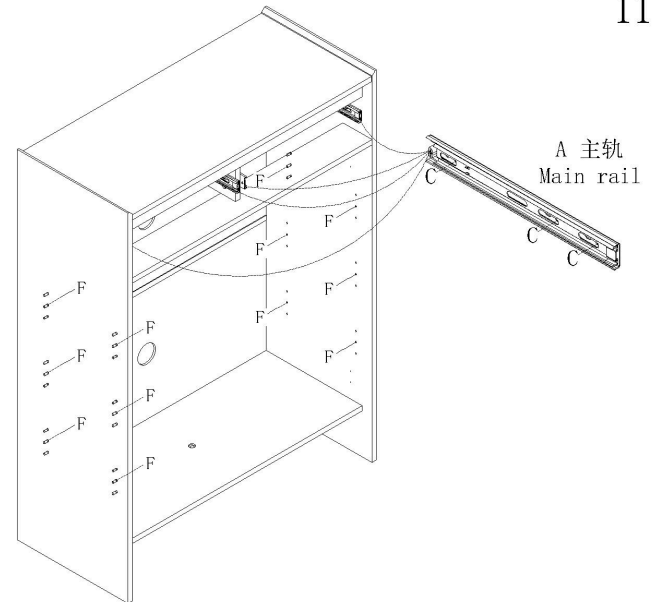
- 9
- (C)*8
- (E)*8



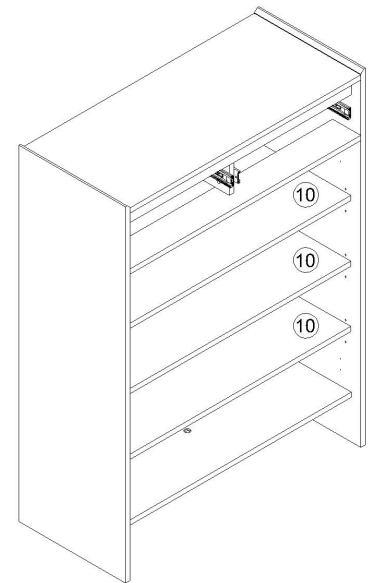
10

- (A)*2
- (C)*12
- (F)*12

11



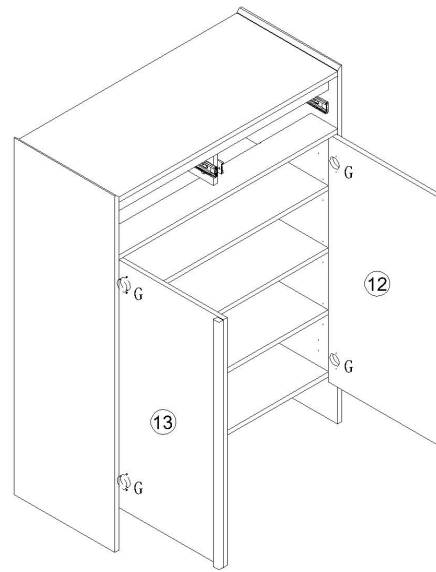
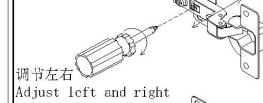
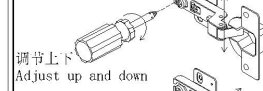
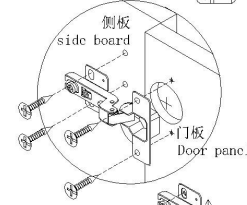
12



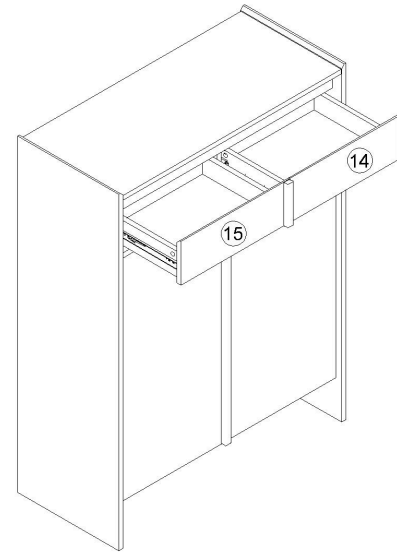
YZ1N-A(0.8m)



安装方法/
Installation method



13



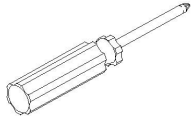

14

15

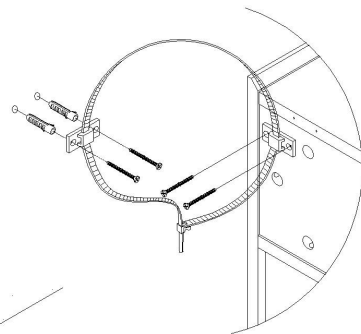
16

LINSY 林氏家居

安装示意图/Assembly Instruction

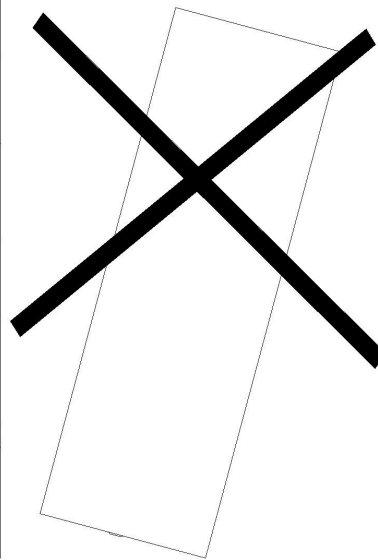
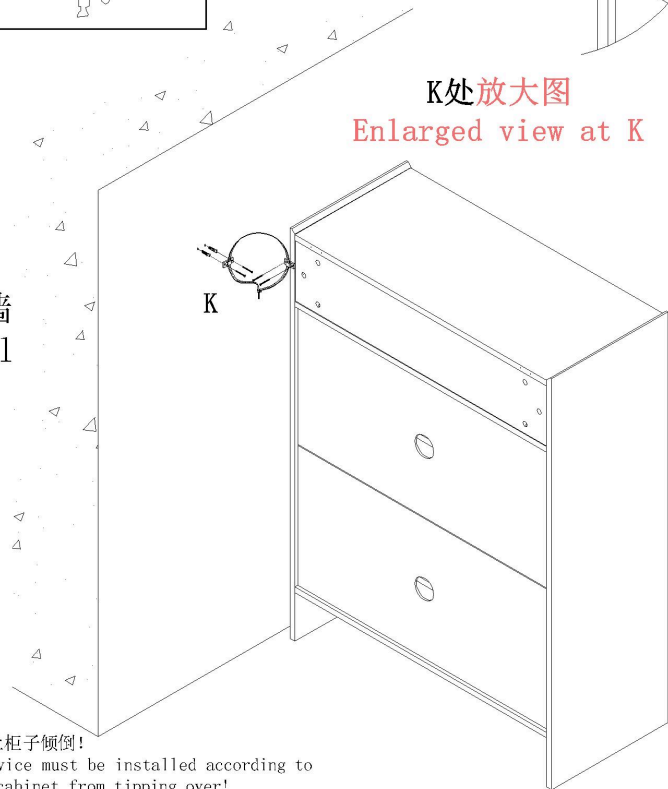
产品名称 Model NO.	Anti-fall device
产品规格 Specification	-
安装工具 Tool	安装人数 Installer
	


(K)* 1
家具防倒器-白色
Anti-fall device
white



K处放大图
Enlarged view at K

实体墙
Solid wall



注意:

防倒器一定要按图安装, 为防止柜子倾倒!

be careful!The anti fall device must be installed according to the diagram to prevent the cabinet from tipping over!