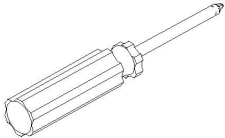
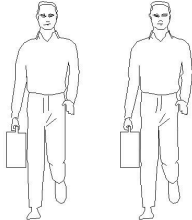


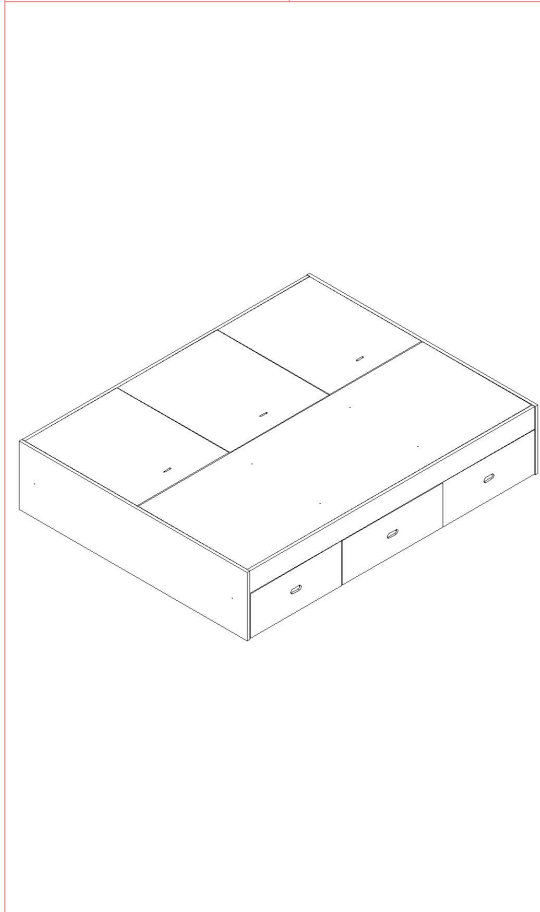
LINSY 林氏家居


五金表/Hardware list

部件表/Parts List

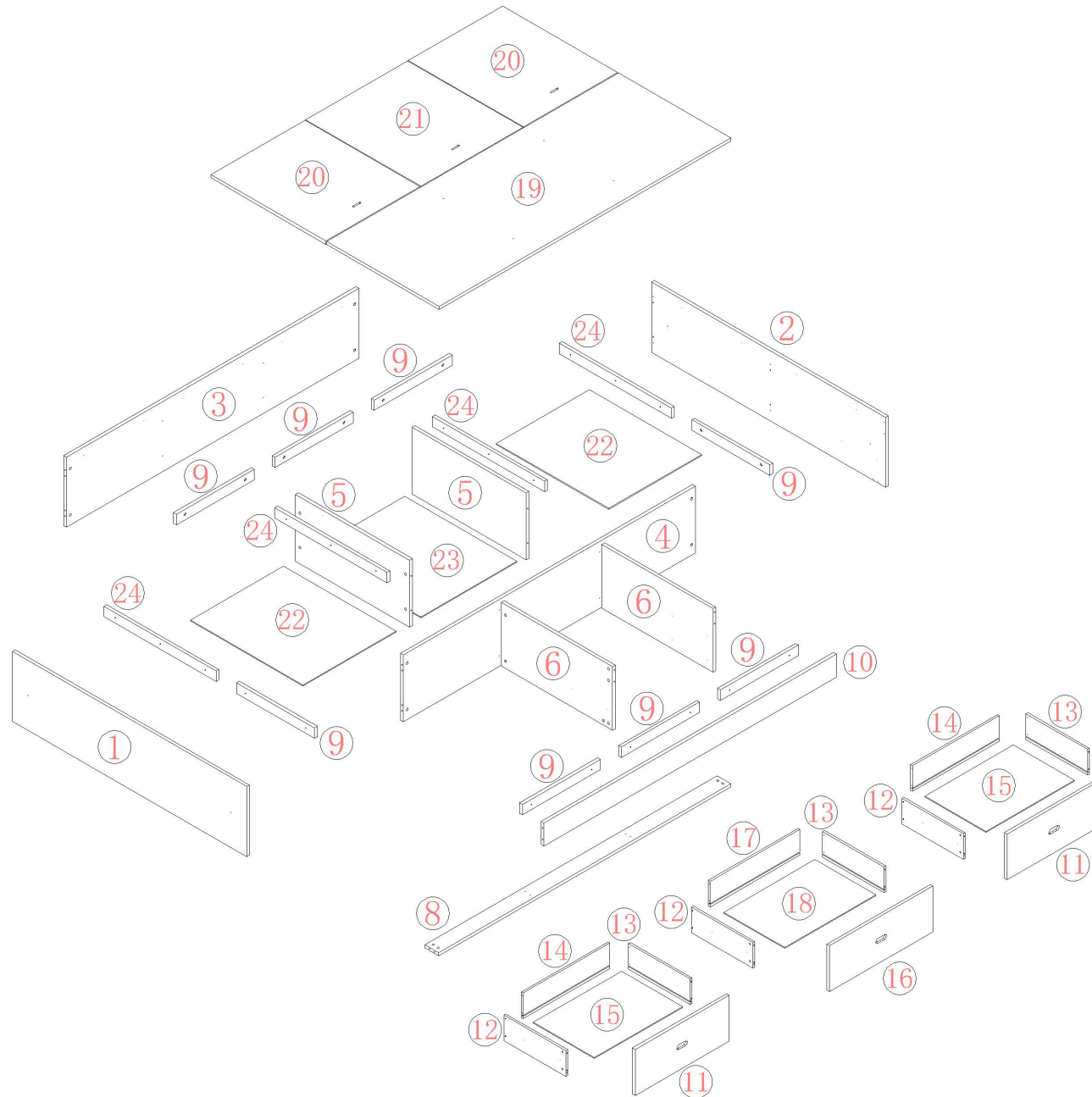
安装示意图/Assembly Instruction

产品名称 Model NO.	JJ1A-B (1.2m)
产品规格 Specification	1910*1200*392 mm
安装工具 Tool	安装人数 Installer
	



 (A)* 3 椭圆形拉手 Oval handle	 (B)* 3 汽动布拉手 Cloth handle	 (C)* 38 二合一螺杆 2-in-1-screw	 (D)* 38 大三合一锁饼 Three-in-one large lock
 (E)* 13 小三合一锁饼 small three-in-one lock	 (F)* 13 小二合一杆 small two-in-one rod	 (G)* 6 拉手螺丝-M4x12mm pulling screw	 (H)* 13 塑料螺母 Plastic Nut
 (I)* 34 自攻螺丝M4x25mm Self-tapping screw	 (J)* 13 自攻螺丝M4x40mm Self-tapping screw	 (K)* 38 自攻螺丝M3.5x12mm Self-tapping screw	 (L)* 8 木榫Ø8x30mm wood tenon
 (M)* 3 三节滚珠导轨-14" three-section ball rail	 (N)* 2 底板塑胶条1 L-594 Bed bottom plate plastic strip	 (O)* 10 底板塑胶条2 L-574 Bed bottom plate plastic strip	 (P)* 28 脚垫-灰色 Footrest - Grey
 (Q)* 4 自攻螺丝M4x30mm Self-tapping screw			

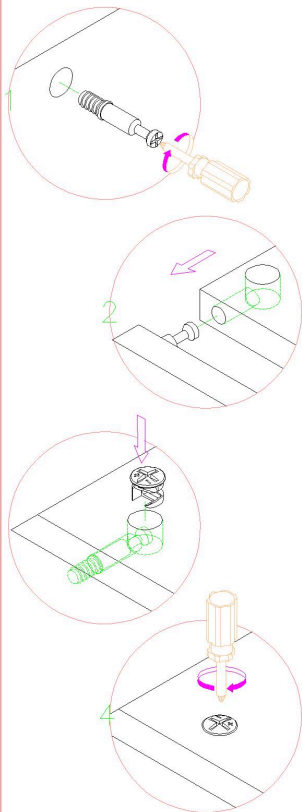
编号NO.	名称Name	规格 (mm) Specification	数量QTY	材质Material
①	左侧板 Side board(L)	1200*389*18	1	人造板 WBP
②	右侧板 Side board(R)	1200*389*18	1	人造板 WBP
③	背板 Back board	1874*389*18	1	人造板 WBP
④	中隔板 Middle clapboard	1874*371*18	1	人造板 WBP
⑤	上中侧板 Upper middle side board	581*371*18	2	人造板 WBP
⑥	下中侧板 Middle-down side panel	563*353*18	2	人造板 WBP
⑧	底拉条 Bottom brace	1874*88*18	1	人造板 WBP
⑨	床板托条 Bed board support strip	500*58*18	8	人造板 WBP
⑩	床侧 Bedside	1874*128*18	1	人造板 WBP
⑪	边抽屉面板 Side drawer panel	602*254*18	2	人造板 WBP
⑫	抽屉左侧板 Drawer's side board(L)	395*142*12	3	人造板 WBP
⑬	抽屉右侧板 Drawer's side board(R)	395*142*12	3	人造板 WBP
⑭	边抽屉后板 Side drawer rear panel	556*142*12	2	人造板 WBP
⑮	大抽屉底板 Base plate of large drawer	566*391*5	2	人造板 WBP
⑯	中抽屉面板 Drawer's middle board	662*254*18	1	人造板 WBP
⑰	中抽屉后板 Rear plate of middle drawer	576*142*12	1	人造板 WBP
⑱	中抽屉底板 Middle drawer bottom plate	586*391*5	1	人造板 WBP
⑲	大床板 Big bed board	1870*570*18	1	人造板 WBP
⑳	小床板 Small bed board	604*588*18	2	人造板 WBP
㉑	中床板 Middle bedplate	655*588*18	1	人造板 WBP
㉒	底板1 Bottom panel 1	571*596*5	2	人造板 WBP
㉓	底板2 Bottom panel 2	571*616*5	1	人造板 WBP
㉔	床板托条1 Bed board support strip	570*58*18	4	人造板 WBP



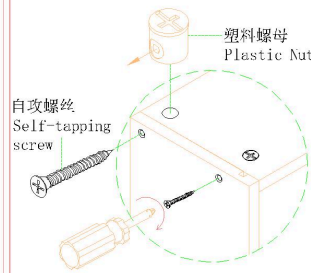
编号NO.	名称Name
①	左侧板 Side board(L)
②	右侧板 Side board(R)
③	背板 Back board
④	中隔板 Middle clapboard
⑤	上中侧板 Upper middle side board
⑥	下中侧板 Middle-down side panel
⑧	底拉条 Bottom brace
⑨	床板托条 Bed board support strip
⑩	床侧 Bedside
⑪	边抽屉面板 Side drawer panel
⑫	抽屉左侧板 Drawer's side board(L)
⑬	抽屉右侧板 Drawer's side board(R)
⑭	边抽屉后板 Side drawer rear panel
⑮	大抽屉底板 Base plate of large drawer
⑯	中抽屉面板 Drawer's middle board
⑰	中抽屉后板 Rear plate of middle drawer
⑱	中抽屉底板 Middle drawer bottom plate
⑲	大床板 Big bed board
⑳	小床板 Small bed board
㉑	中床板 Middle bedplate
㉒	底板1 Bottom panel 1
㉓	底板2 Bottom panel 2
㉔	床板托条1 Bed board support strip

JJ1A-B (1.2m)

安装方法/
Installation method

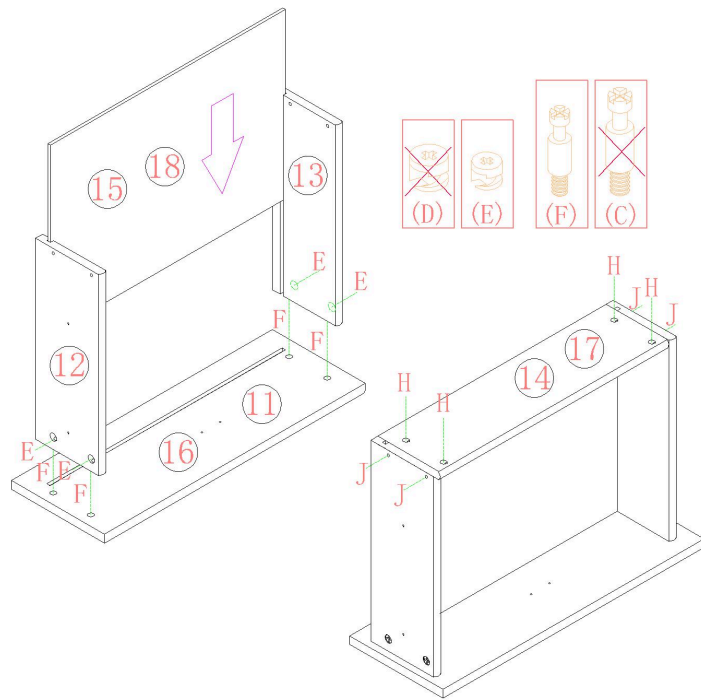


小二合一
small two-in-one

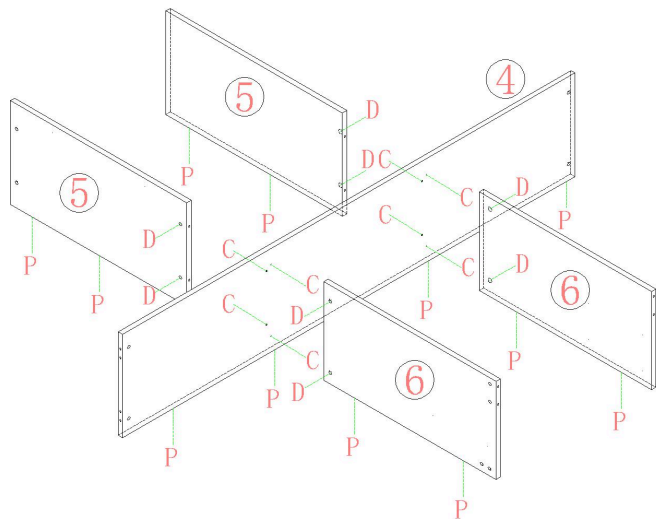


塑料螺母
Plastic Nut

- (E)*12
- (F)*12
- (H)*12
- (J)*12

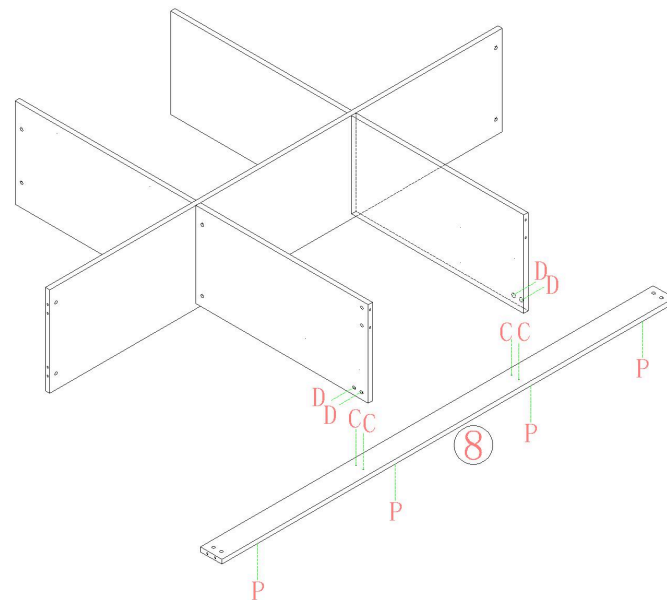


- (C)*8
- (D)*8
- (P)*12



3

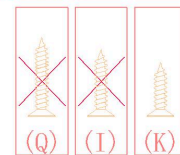
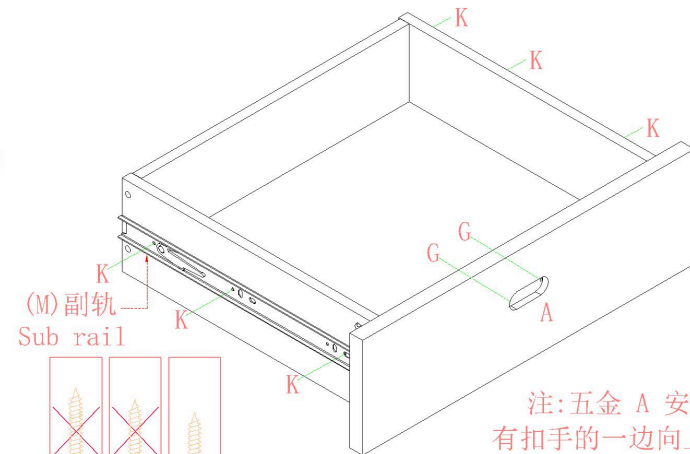
- (C)*4
- (D)*4
- (P)*4



4

1

- (A)*3
- (G)*6
- (K)*18
- (M)*3

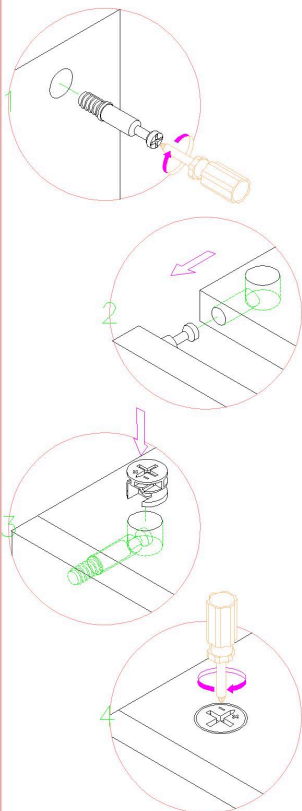


注:五金 A 安装时
有扣手的一边向上安装
Note: During the
installation of
hardware A,
the side
with clasp shall
be installed
upward

2

JJ1A-B (1.2m)

安装方法/
Installation method



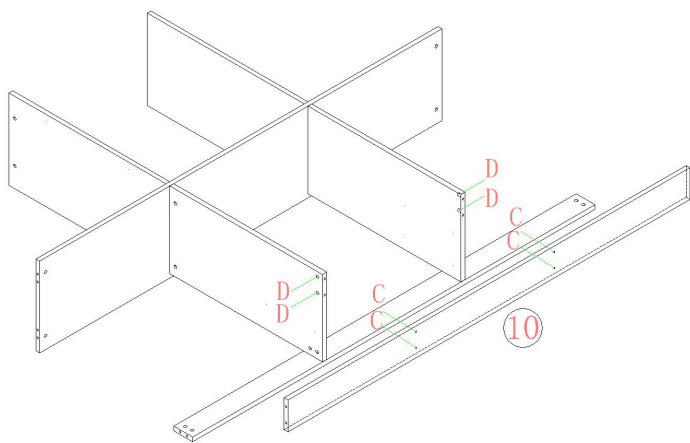
大二合一
two-in-one



(C)*4



(D)*4



5



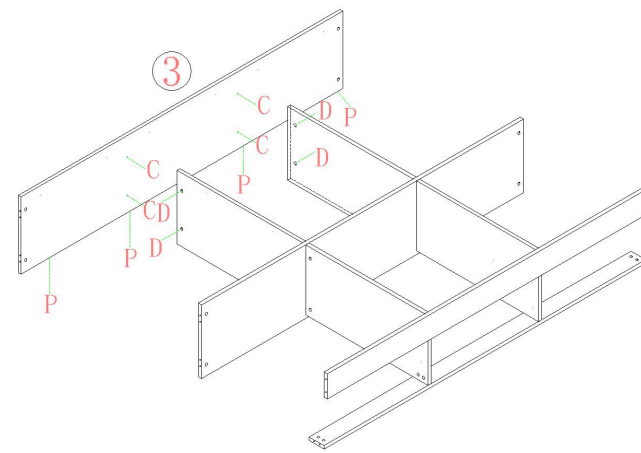
(C)*4



(D)*4



(P)*4



6



(C)*8



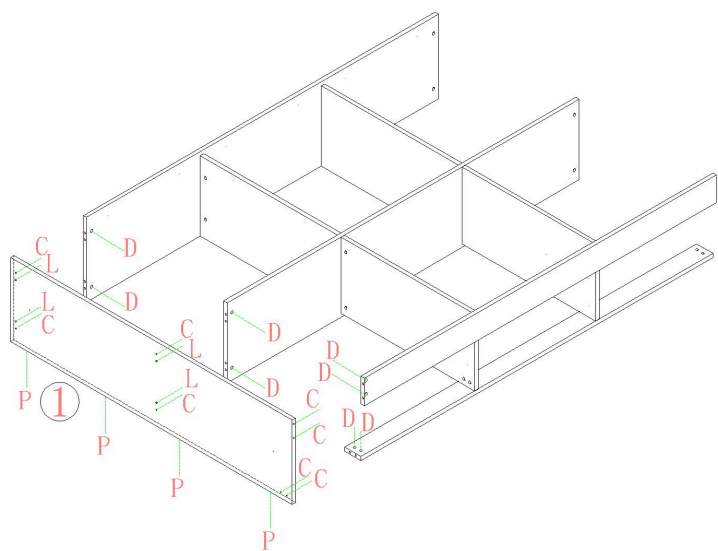
(D)*8



(L)*4



(P)*4



7



(C)*8



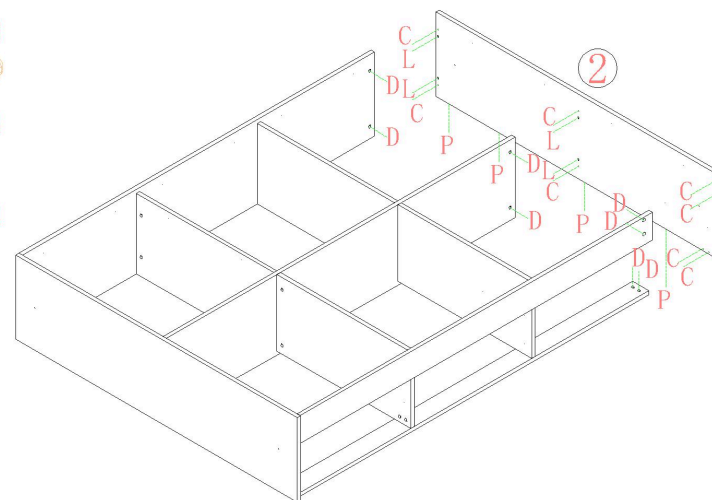
(D)*8



(L)*4



(P)*4

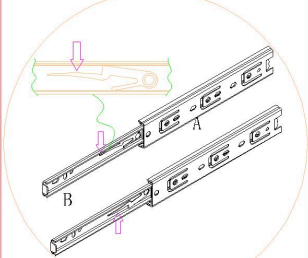


8

JJ1A-B (1.2m)

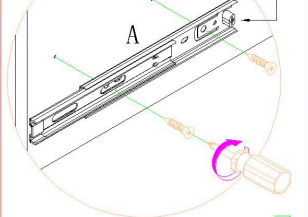
安装方法/
Installation method

1 阀门开关(下压为开)
Valve switch
(press down to open)

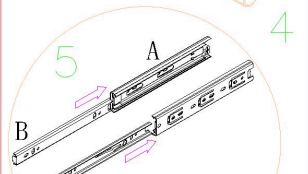
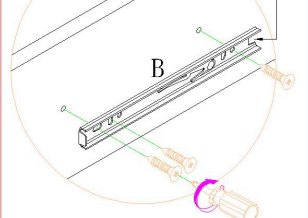


注: 先将A与B拆下来
Note: remove a and B first

2 侧板
side board
后after



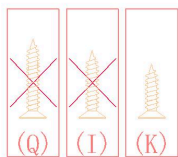
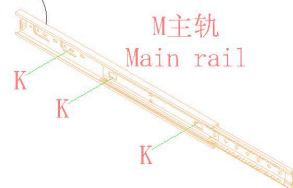
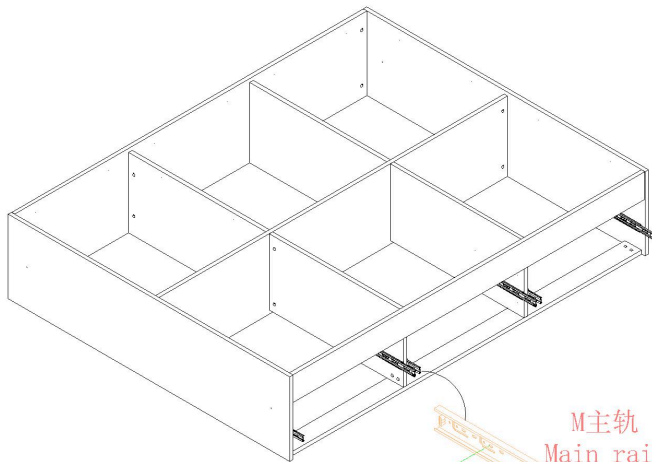
3 抽屉侧板
sideboard
of the drawer
后after



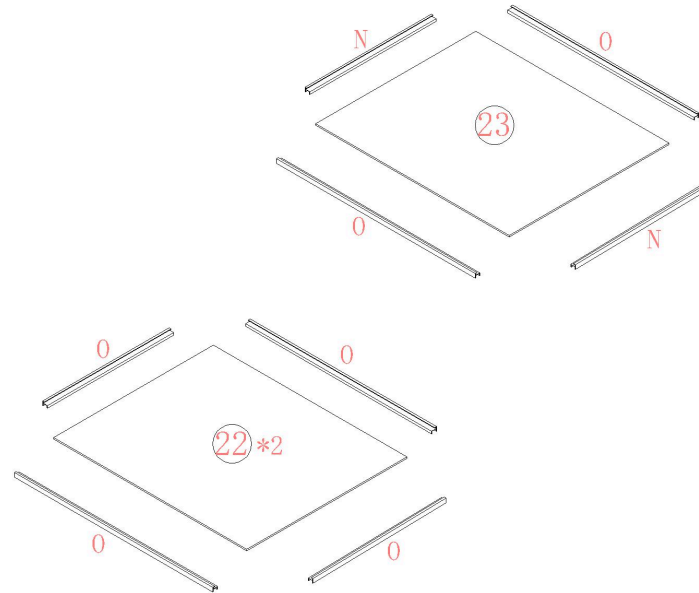
5 注: 将B对准A后推进去
Note: align B with a
and push it in

三节滚珠导轨
three-section ball rail

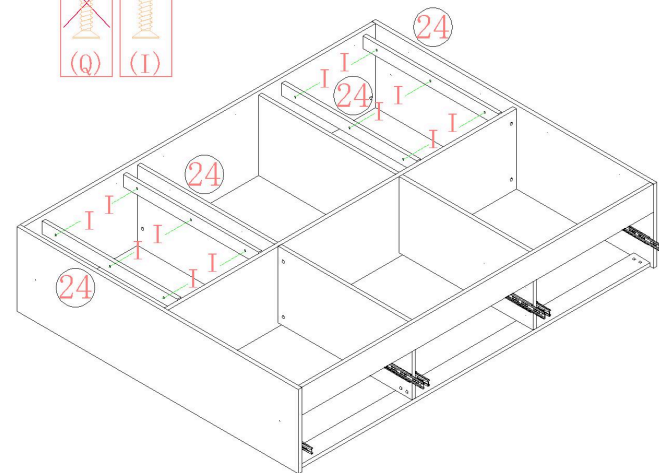
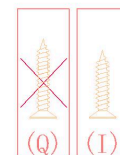
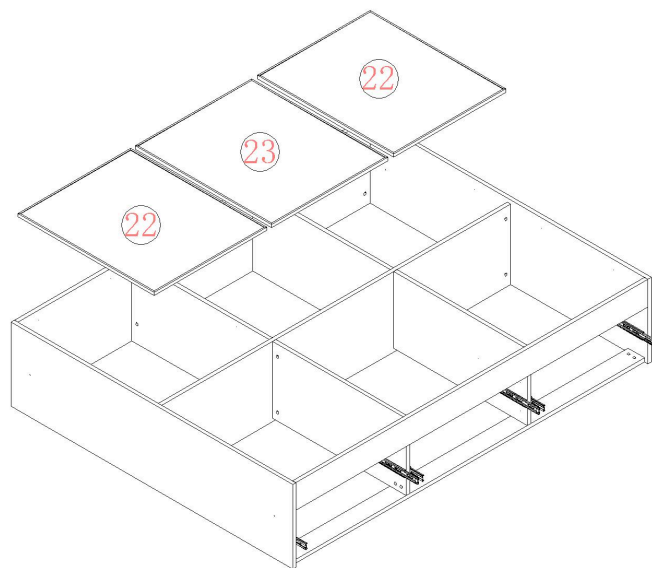
- (M)*3
- (K)*18



- 9
- (N)*2
 - (O)*10



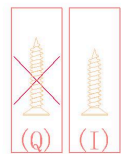
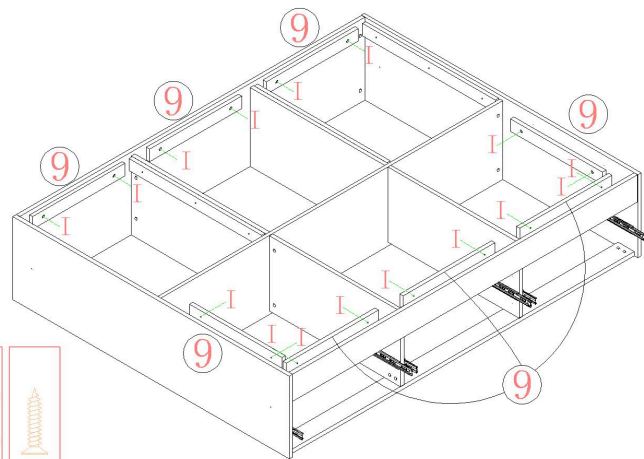
- 11
- (I)*12



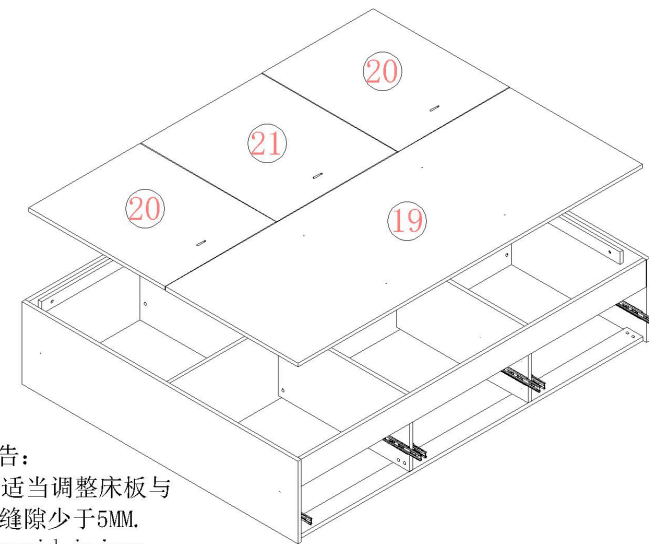
JJ1A-B (1.2m)

安装方法/
Installation method

 (I)*16



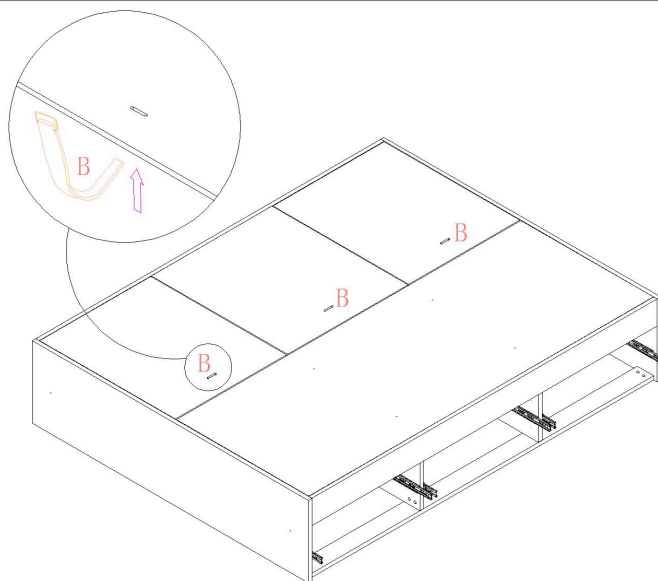
13



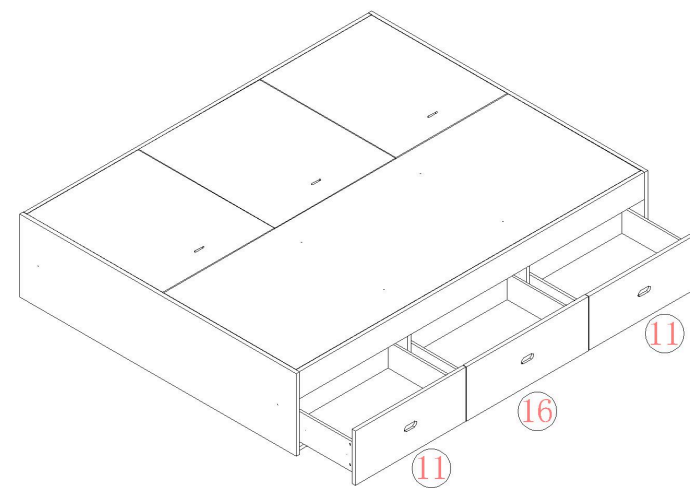
警告：
为避免夹伤，请适当调整床板与
床侧间隙，使缝隙少于5MM。
Warning: To avoid injury,
Please adjust the gap that
less than 5mm between the bed
board and side.

14

 (B)*3



15



16

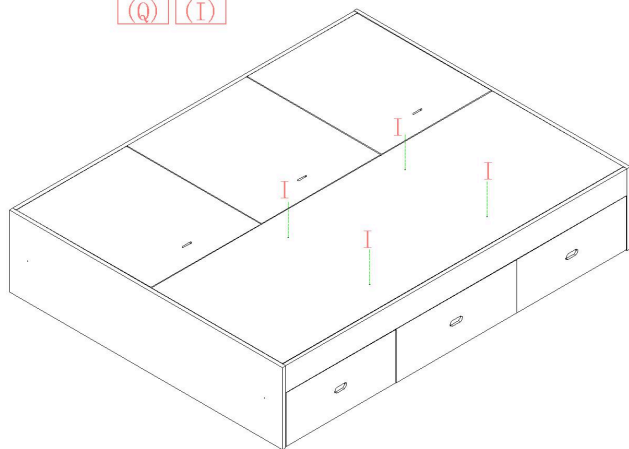
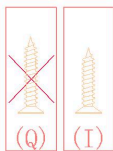
JJ1A-B (1.2m)

17

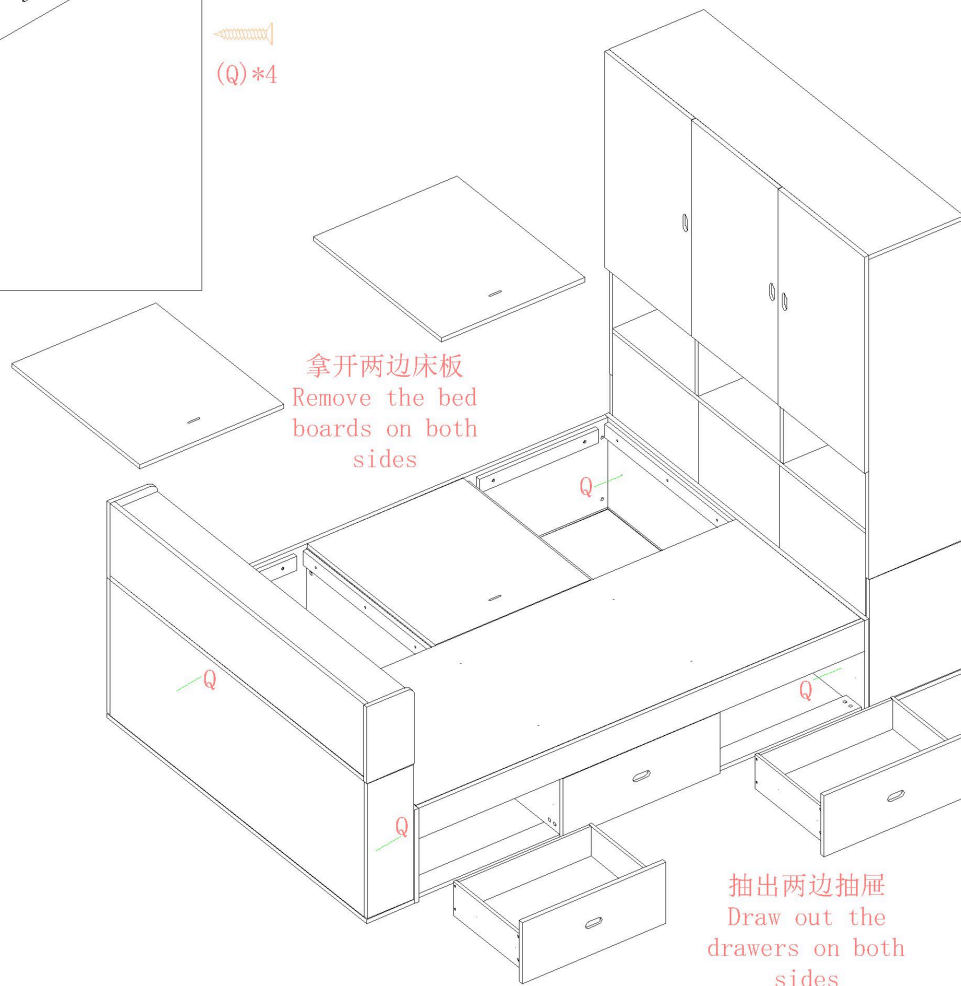
18

安装方法/
Installation method


(I)*4




(Q)*4



拿开两边床板
Remove the bed
boards on both
sides

抽出两边抽屉
Draw out the
drawers on both
sides

注:购买此组合才用到五金 Q
没购买此组合无需理会
Note: Hardware is only used when
purchasing this combination Q You
don't need to pay attention if you
don't buy this combination