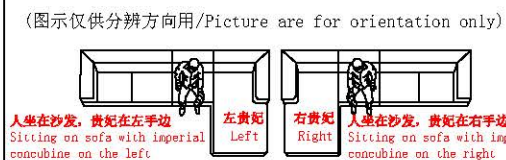


LINSY 林氏家居

安装示意图/Assembly Instruction

如何区分沙发的左右方向?
How to zone the left and right direction of the sofa?



安装人数
Installer



客户安装前须知:
Customers need to know before installation:
此安装图为“双人”的位置关系。
This installation picture is "Loveseat"

2-1

双人 Loveseat

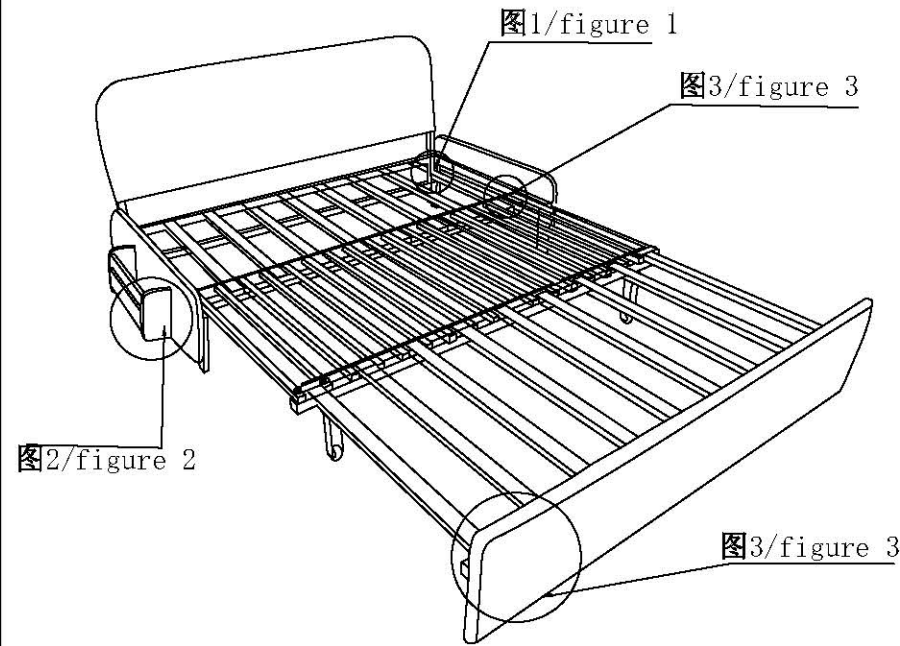


图2/figure 2

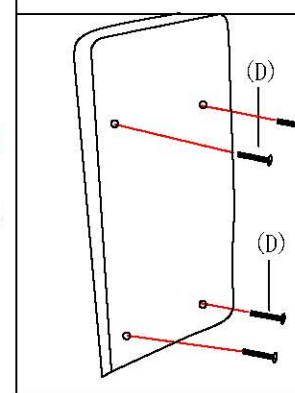
图1/figure 1

图3/figure 3

图3/figure 3

注:先将储存柜锁在扶手板上, 再是按需求选择左右安装
Note: First, lock the storage cabinet to the handrail; then, install it on either the left or right side as needed.

图2: 储物柜安装示意图
Storage Locker Installation Diagram



配件表 Accessories list

编号NO.	名称 Name	图示 Icon	数量 QTY	双人 Loveseat
A	说明书(含安装图) Mounting Instruction (with drawing)		1	1
B	M8*45斜边十字螺栓 M8*45 bevel cross bolt		6	6
C	M8*30斜边十字螺栓 M8*30 bevel cross bolt		8	8
D	M6*30斜边十字螺栓 M6*45 bevel cross bolt		4	4
E	M5*40自攻螺丝 M5*40 self tapping screw		4	4
F	M8垫片 M8 pad		6	6

图1: 靠背铁架安装示意图
Installation diagram of the backrest iron frame

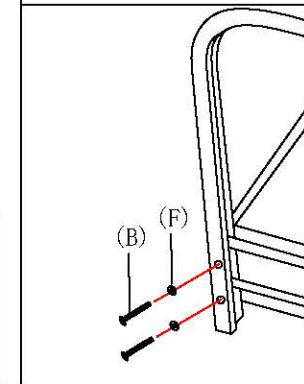


图3: 扶手安装示意图
Schematic diagram of handrail installation

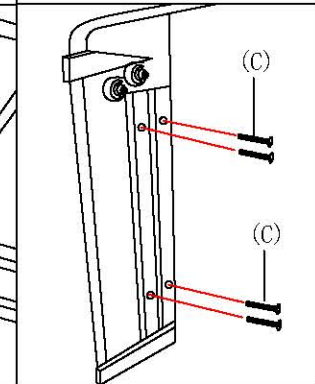
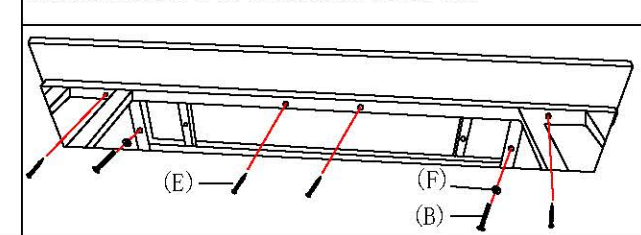


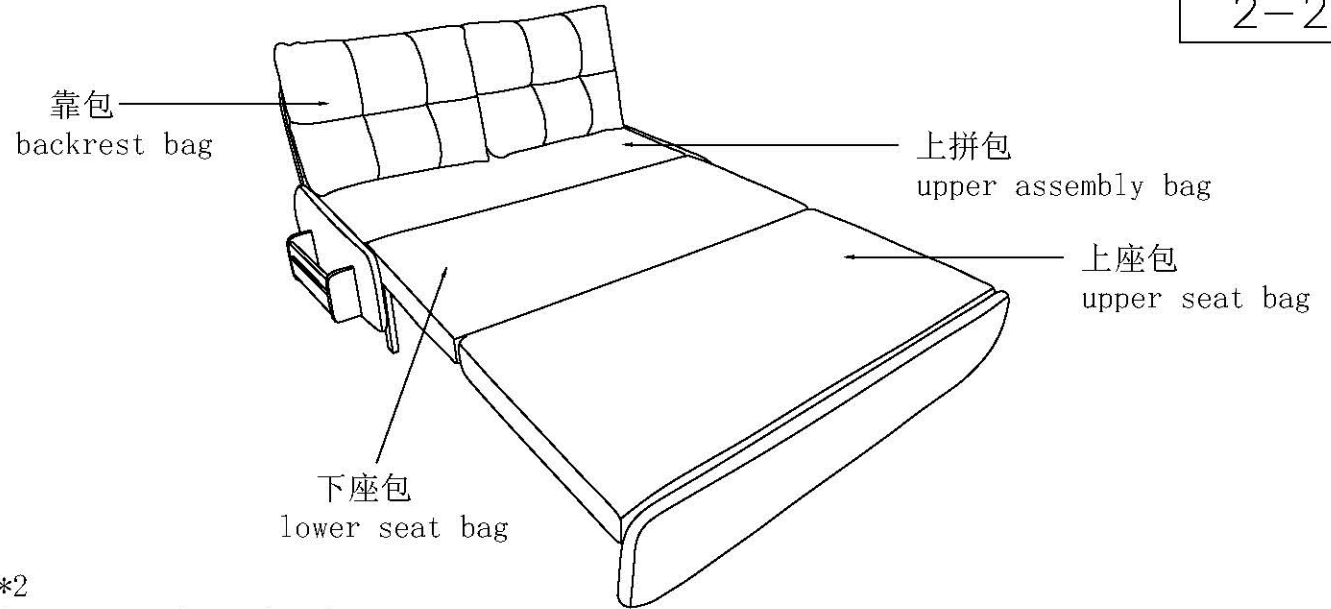
图3: 座前板安装示意图
Installation diagram of the front panel of the seat frame



成品部件 明细 Product Parts Details	编号 NO.	名称 Name	规格 Specification	数量 QTY	材质 Material
1	双人 Loveseat	1530*870*940	1	胶合板+海绵+人造皮+铁 Plywood + Sponge+Artificial leather+iron	

制图 Draw 黄平

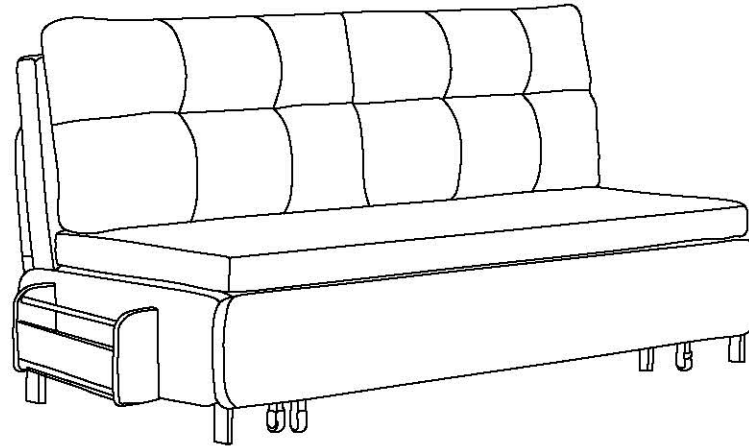
组合图 Combination



沙发床:依次放上拼包*1, 下座包*1, 上座包*1, 靠包*2

Sofa bed: Place the upper assembly bag *1, the lower seat bag *1, the upper seat bag *1, and the backrest bag *2 in sequence

组合图 Combination



注:

1) 安装图图示方向为指示方向, 具体左右摆放方式以实物为准。

The direction shown in the installation diagram is the indicated direction, and the specific left and right placement method is subject to the actual object.

2) 产品安装图中产品规格涵盖了该款式的完整组合件, 详细配套组合件请参考实物。

The product specifications in the installation diagram cover the complete assembly of this style. For detailed matching assembly, please refer to the actual product.

沙发:依次放上下座包*1, 上座包*1, 上拼包*1, 靠包*2

Sofa: Place the upper and lower seat bags *1, the upper seat bag *1, the upper assembly bag *1, and the back bag *2 in sequence