



Inspiring Solutions for National Security

[dstl]

The Science Inside

OFFICIAL

Agenda eSIM reader officer safety

Introduction to HMGCC Co-Creation

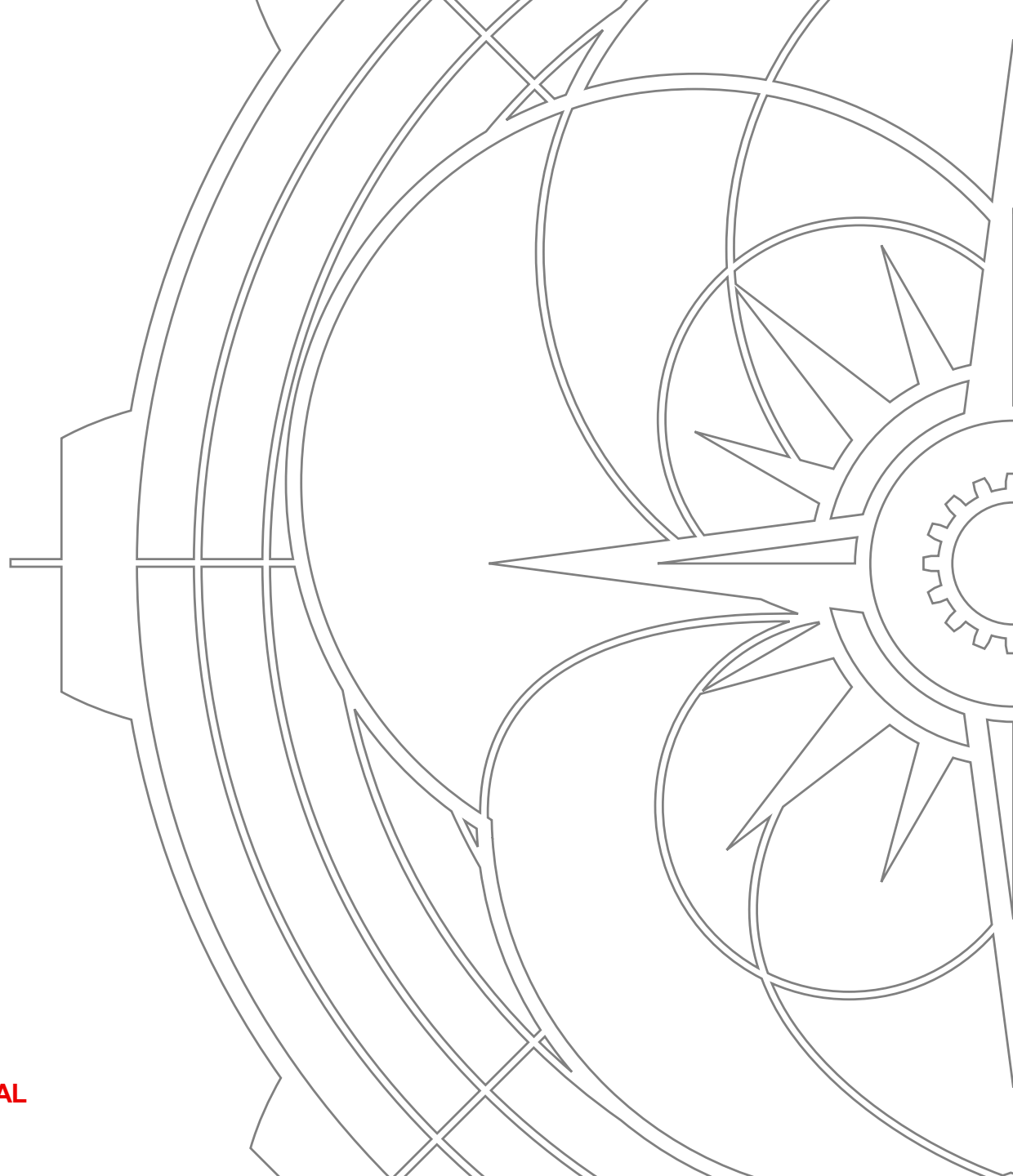
Challenge overview & requirements

Questions

Challenge Timescales

The application process

OFFICIAL

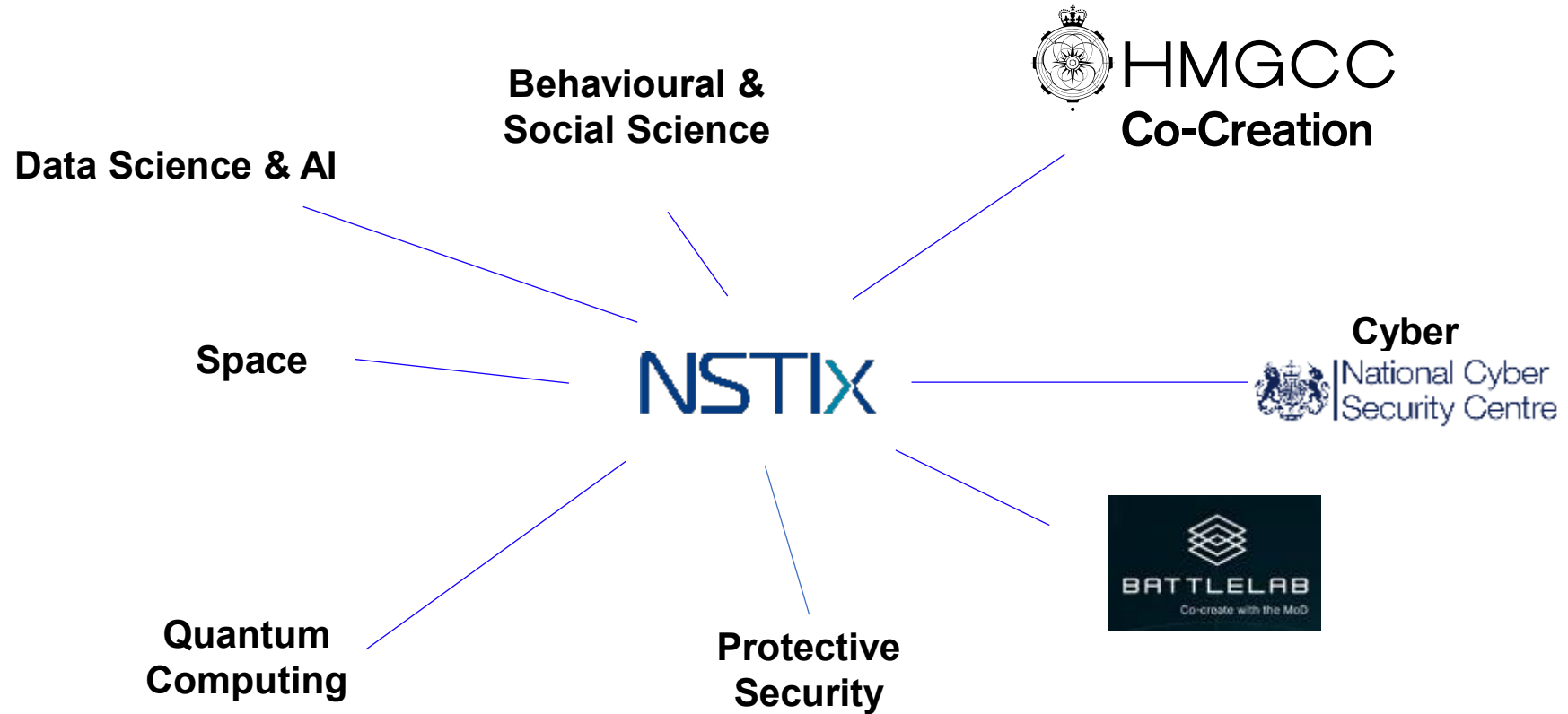


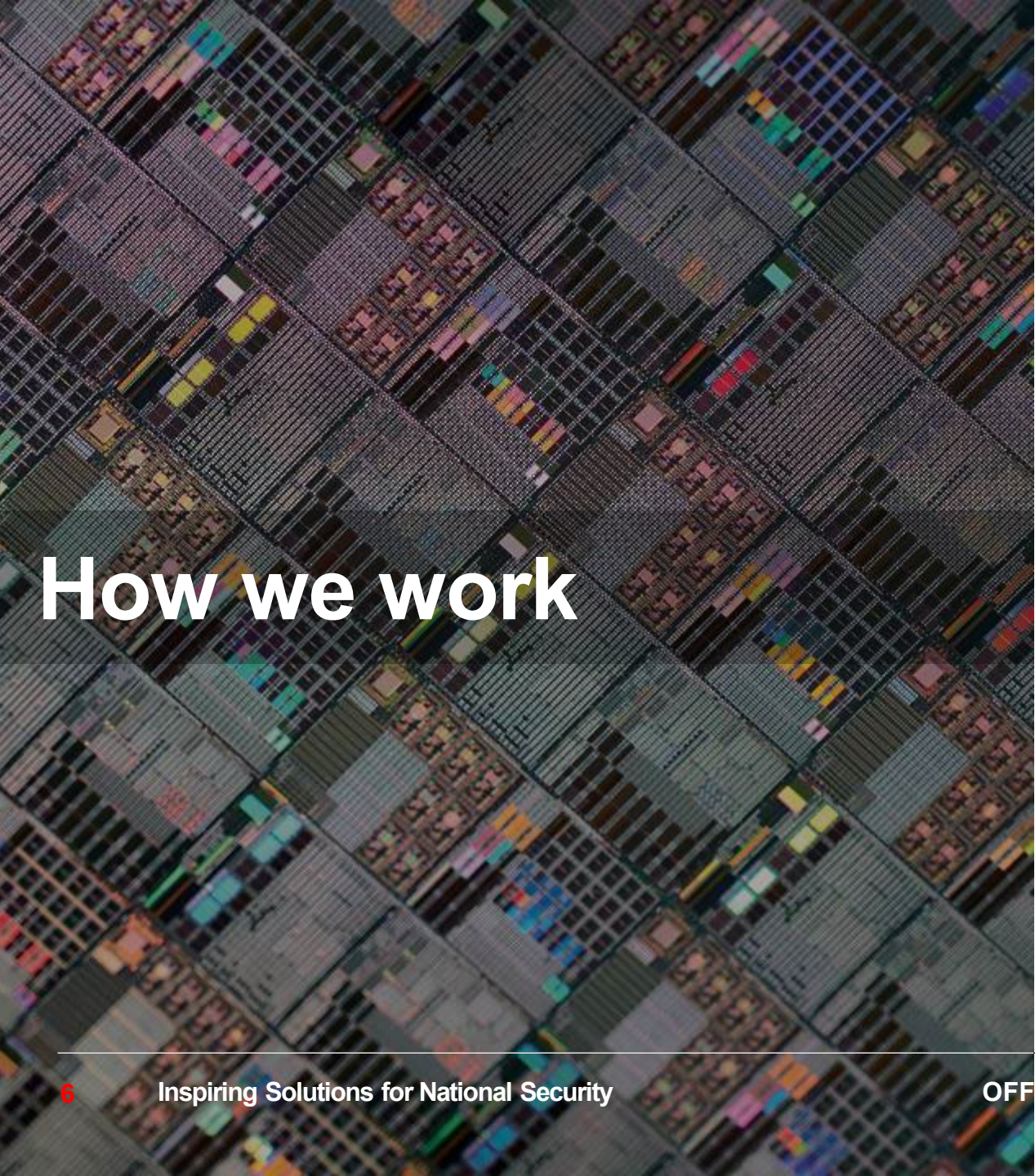
HMGCC works with the **national security** community, UK Government, academia, private sector partners and international allies to bring **engineering ingenuity** to the national security mission, creating tools and technologies that drive us ahead and help **protect the nation**.

HMGCC Co-Creation

HMGCC Co-Creation is a **partnership** with Dstl (Defence Science and Technology Laboratory), created to deliver a **new, bold** and **innovative** way of working with the wider UK science and technology community. Working **collaboratively** with industry, academia and government on **national security engineering challenges** to accelerate innovation.

The Co-Creation Network





How we work

National security
community

Operational
challenges



Networks

Industry, Academia, Government

**Specialist facilities
& expertise**

**Physical & digital
space**



New capabilities

Operational impact

How we work Community Collaborators



eSIM reader for officer safety

- HMGCC Co-Creation have a requirement to read IMSI numbers from mobile phones utilising eSIMs for officer safety purposes.
- We are interested in developing innovative technology to approximately a TRL 5 or 6 demonstrator in a 3-month project.

Key information:

Budget per single organisation	£60,000
Budget per consortium	£120,000
Project duration	12 weeks
Competition opens	Monday 4 December 2023
Competition closes	Thursday 1 February 2024 at 5:00pm

A user's journey



Jennifer, a Government employee, is to be deployed overseas to a friendly country.

As part of her checklist prior to deployment, she is to provide her mobile phone IMSI number to the security officer, Robert.

A user's journey



Although unlikely, if Jennifer goes missing or if there is a local disaster situation, there may be issues tracking her down and ensuring she is safe.

As part of the UK Government's duty of care, they will do everything possible to locate Jennifer.



There will be various methods to locate Jennifer in the worst scenarios.

One of those methods is to work with local friendly telecoms operators to use Jennifer's IMSI, which can be used to locate the last ping of her mobile phone from a cell phone mast.

A user's journey

Jennifer and Robert discuss using Apps to find her phone in an emergency, which are readily available, but there is little assurance with what is done with this data.



So prior to departure, Robert is ready to record Jennifer's IMSI number.

Normally, he will physically pop out the SIM card and place this into a reader which will give a simple reading of just the IMSI number, and nothing else.



But Jennifer has a modern mobile phone which uses a soldered-on eSIM, and therefore cannot be removed.



A user's journey



Robert hasn't got the kit to read the IMSI from an eSIM. He needs a secure and non-intrusive solution to easily and privately read the eSIM IMSI.

Scope



1. The solution must be able to read and display IMSI numbers from a wide range of unlocked mobile phones and small devices that utilises an eSIM.
2. The solution must be capable of reading multiple eSIMs present within one device.
3. Only the IMSI number of the phone of interest should be displayed, and no other data from this phone or other nearby phones should be gathered.
4. The solution must not pose a risk of damaging the device being read.
5. The solution should be easy to use so non-technical personnel can use it with little or no training.
6. It is also describable for the solution to read and display IMSI numbers from conventional SIM cards and satphone equivalents.

Questions

Challenge Timescales

01

Competition Launch

Monday 4 December 2023

02

Briefing Event

Tuesday 9 January
2024 at 10:00am

03

Clarification questions
submission date

Friday 19 January 2024

04

FAQ document
circulated

Monday 22 January 2024

05

Deadline for
applications

Thursday 1 February
2024 at 5:00pm

06

Finalist notification

Friday 16 February
2024

07

Pitch day in Milton
Keynes

Thursday 22
February 2024

08

Budget

£60,000 per single organization
£120,000 per consortium

How to apply

Please direct proposals one of two routes:

- Submit a proposal via the Community Collaborators platform
- Alternatively, please send applications directly to cocreation@hmgcc.gov.uk, including the challenge title with a note of the community collaborator where this challenge was first viewed.

Proposals must be no more than six pages or six slides in length. The page/slide limit excludes personnel CVs and organisational profiles.

There is no prescribed application format, however, please ensure your application includes the following:

Applicant details	Contact name, organisation details and registration number.
Scope	Describe how the project aligns to the challenge scope. Innovation Describe the innovation and technology intended to be delivered in the project, along with new IP that will be generated or existing IP that can be used.
Deliverables	Describe the project outcomes and their impacts.
Timescale	Detail how a minimum viable product will be achieved within the project duration.
Budget	Provide project finances against deliverables within the project duration.
Team	Key personnel CVs and expertise, organisational profile if applicable.

Evaluation Criteria

Where prompted

Proposals will be scored 1 – 5 on the following criteria:

Timescale – will the proposal deliver a Minimum Viable Product within the time period defined within this Challenge Form?

Does the proposal fit within the Challenge scope, taking into consideration cost and benefits?

Is the organisation / delivery team credible in this technical area?

Is the technical solution credible?

Will the proposal deliver a full or partial solution? Has the proposal identified collaborators if a partial solution or is willing to work collaboratively with others?

Is it innovative?

Terms and Conditions:

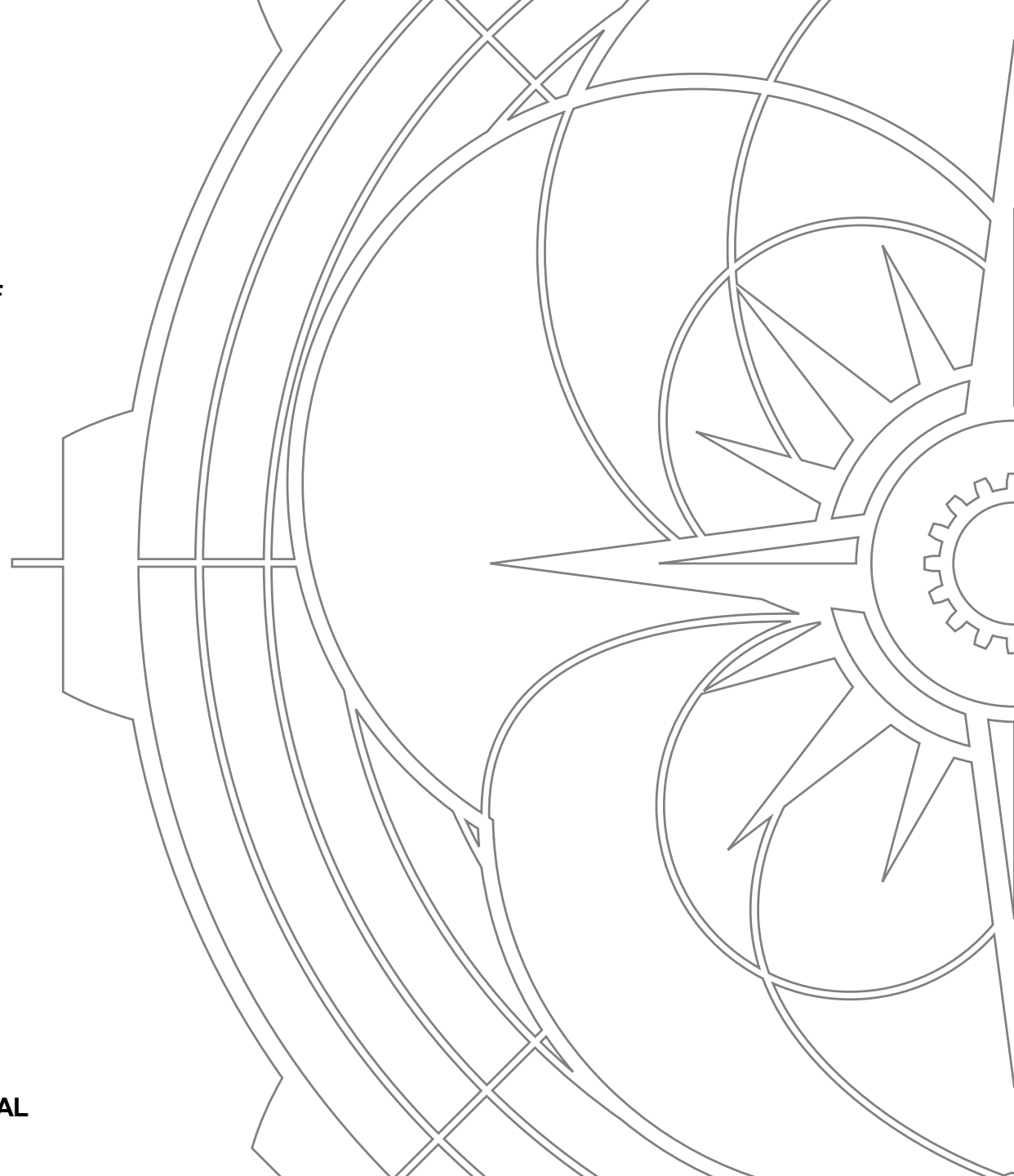
This document is shared under agreed terms of confidentiality & non-disclosure.

No intellectual property rights are granted by the delivery of this document. The publication, or disclosure of its content in full or in part is not permitted. All material is subject to crown copyright protection & shall not be reproduced in full or in part.

If you have received this document in error, please contact us immediately by e-mail at cocreation@hmgcc.gov.uk. Please quote the name of the sender and the addressee and delete it from your system.

© Crown Copyright 2023

OFFICIAL





Inspiring Solutions for National Security

[dstl]

The Science Inside

OFFICIAL