



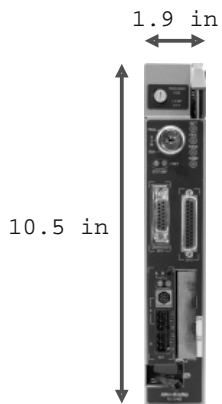
# 1785-L40E

## Allen Bradley PLC – PLC 5

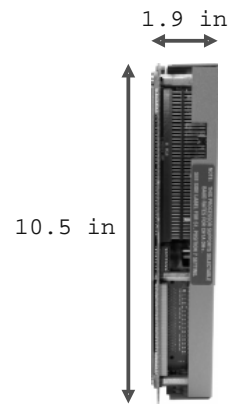
Technical Specifications:	
Manufacturer	Rockwell Automation
Brand	Allen-Bradley
Part Number/Catalog No.	1785-L40E
Module Type	Ethernet PLC-5 Processor
Processor	PLC-5/40E
Max User Memory Words	48 Kilowords
Battery-Backed Static RAM	Yes
EEPROM Program Backup Option (using 1785-ME16, -ME32, -ME64, and -M100)	Yes
Protected Memory	No
Max Total I/O	2048 (any mix) or 2048 in + 2048 out (complementary)
Max Analog I/O	2048
I/O Scan Time Per Rack	10 ms at 57.6 kbits/s, 7 ms at 115.2 kbits/s, 3 ms at 230.4 mbits/s
Max I/O Chassis Total	61
Max I/O Chassis Extended Local	0
Max I/O Chassis Universal Remote	60
RS-232-C/422-A/423- A Ports	1
Control Coprocessor Expansion Port	Yes

# Product Images

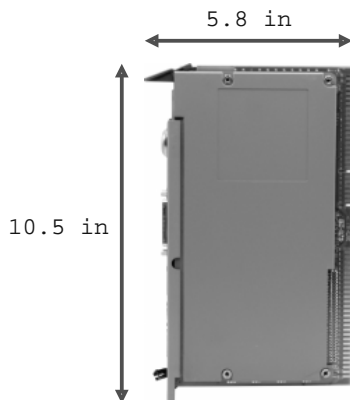
**Front**



**Back**



**Left Side**



**Right Side**

