

# STBR5-0

## ShrinkTech Low Voltage Cable Breakouts

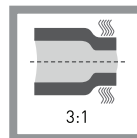
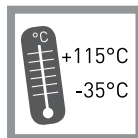
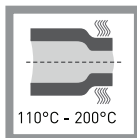
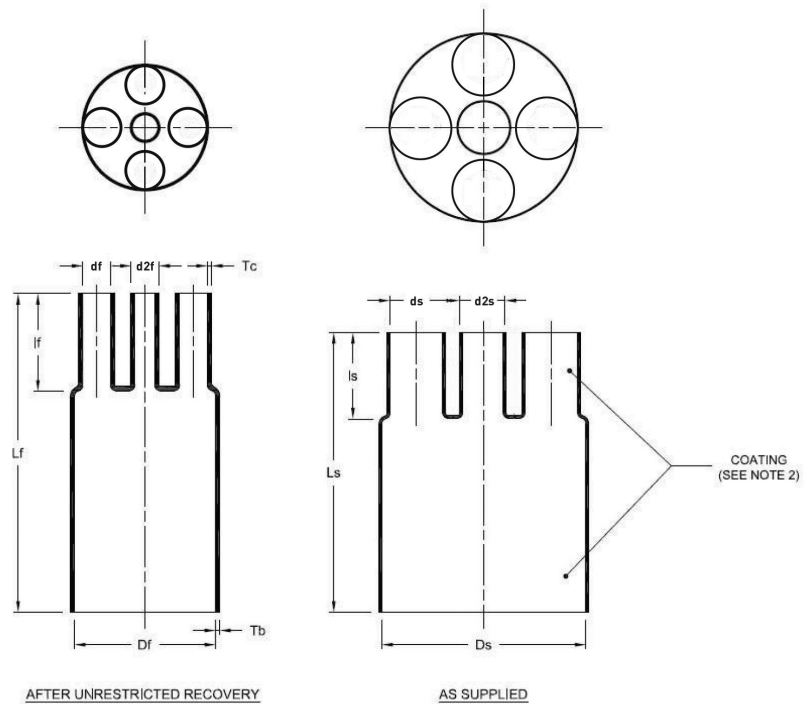
Heat Shrinkable Cable Breakouts provide environmental seal to the crutch of 2,3,4,5,6 core Plastic and Paper insulated cables rated up to 1.1kV. The Breakouts are made from thermally stabilised cross-linked polymeric material and are internally coated with hot-melt adhesive.



- Rigid
- Waterproof
- Environmental friendly, free from toxic heavy metal compounds
- UV stabilised

- **Material**  
Modified polyolefin with adhesive
- **Colours**  
Black
- **Packaging**  
Per unit

- All dimensions are in mm
- Coating is optional as supplied dimensions appearing in table are for uncoated parts. When coating is added, diameters will be reduced by 1.0-2.0 mm.
- b - body
- c - core
- D - body diameter
- d - core diameter
- s - as supplied
- f - after free recovery
- Tb, Tc - thickness



CODE NO.	Number of core	D (mm)		d (mm)		d2 (mm)		L (mm)		l (mm)		Tb	Tc
		(Min.)	(Max.)	(Min.)	(Max.)	(Min.)	(Max.)	(Min.)	(Max.)	(Min.)	(Max.)	±10%	±10%
STBR5-0	5	90	39	30	9	16	7	133	185	30	50	3.0	2.8