

**BU**
series**BYPASS OIL CLEANER****Triple R**
INDUSTRIAL SERVICESwww.ditech.no

Effectively remove particles, water and varnish!

The BU series for hydraulic oil from Triple R has been designed to purify and keep oil clean. The system ensures effective filtering of all dirt particles, condensation and oxidation products (resins) that cannot usually be removed with conventional filters.

How it works

The system is connected as a bypass on a pressure (max. 343 bar) line.

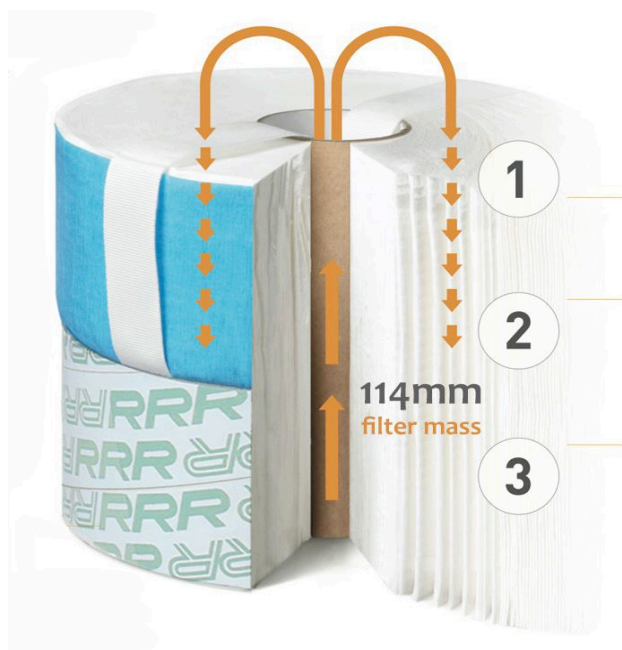
Benefit

- Prevents defects in hydraulic systems
- Improves the reliability & productivity of your machines
- Extends the life of all hydraulic components, such as pumps, servo valves and seals
- Extends the life of the oil
- Extends the service life of standard filter
- Reduces maintenance costs
- Reduces oil consumption
- Reduces machine downtime

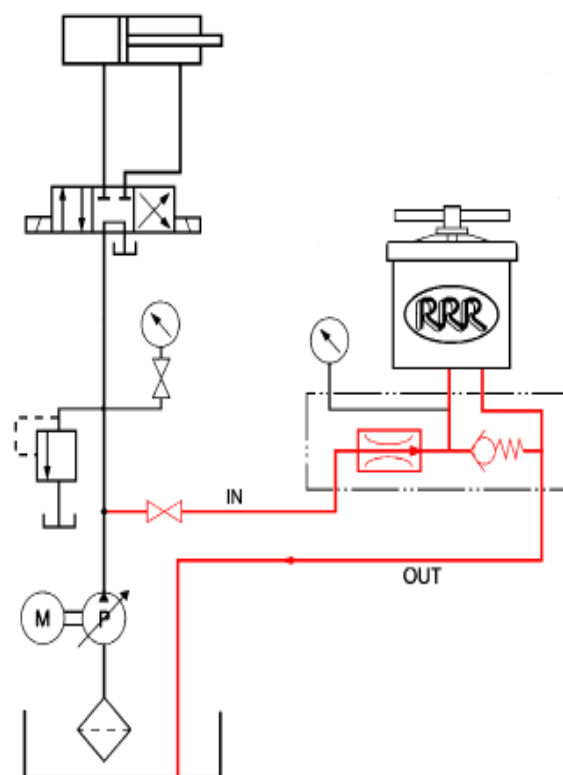
Technology

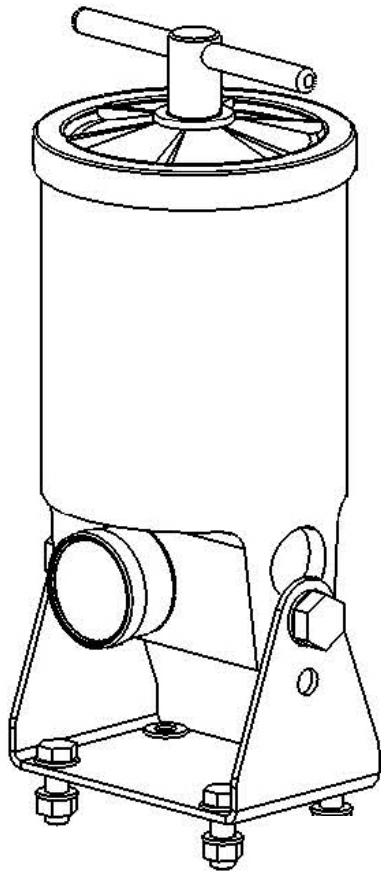
The oil is forced axially through the filter element with a pressureless return to the tank.

The BU series are available in a range of models including stainless steel.

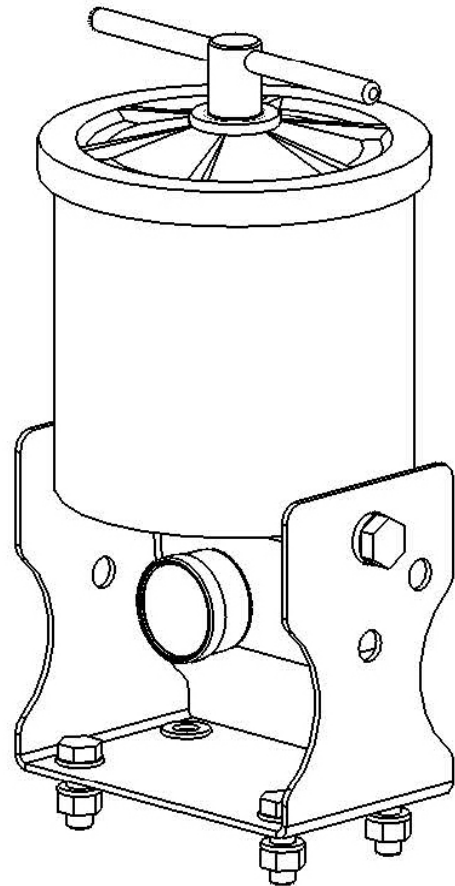


- 1st stage**
big particles are retained on the top of the filter
- 2nd stage**
small particles are trapped in the mid stage of the filter element
- 3rd stage**
the smallest particles are trapped in the lower and compressed part of the filter.

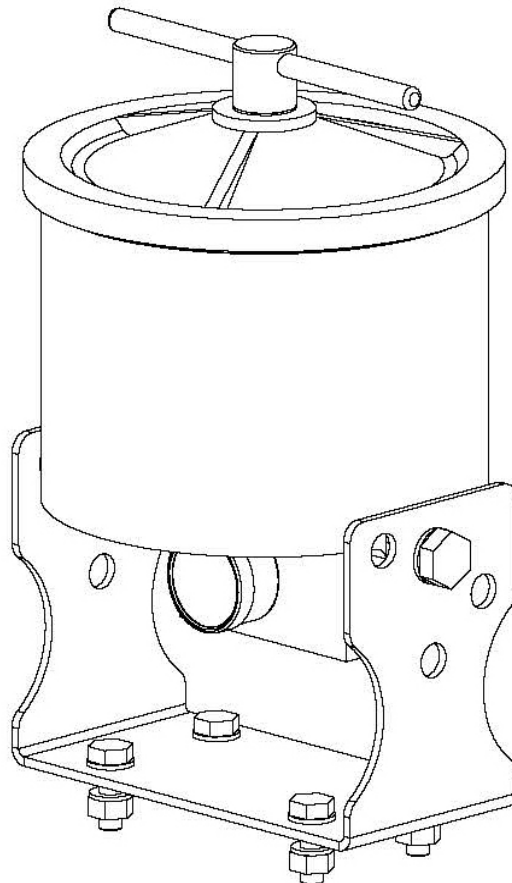




BU 30 OIL CLEANER



BU 50 OIL CLEANER



BU 100 OIL CLEANER

TRIPLE R OIL CLEANER: BU SERIES SELECTION CHART FOR HYDRAULIC OILS

		TOTAL HYDAULIC OIL VOLUME BASED ON MAX 180cSt					
TRIPLE R SYSTEM FOR YOUR APPLICATION	MODEL	< 300L	< 450L	< 600L	< 1200L	< 1800L	> 1800L
	BU-30						
	BU-50						
	BU-100						
	BU-200						
	BU-300						
	Request						








TRIPLE R BU SERIES FOR **HYDAULIC OIL TECHNICAL DATA**

MODEL	Capacity	# of elements	Dimensions (cm)	IN / OUT	Material	Max. pressure (bar / MPa)
BU-30	1.0L/min	1x 30 series	14 x 12 x 29	1/4" x 1/4"	ALU	343 / 34.3**
BU-50	1.5L/min	1x 50 series	18 x 17 x 31	1/4" x 1/4"	ALU	343 / 34.3**
BU-100*	2.0L/min	1x 100 series	23 x 17 x 32	1/4" x 3/8"	ALU	343 / 34.3**
BU-200*	4.0L/min	2x 100 series	24 x 24 x 41	1/4" x 1/4"	STAINLESS	343 / 34.3**
BU-300*	6.0L/min	3x 100 series	24 x 24 x 77	1/2" x 1/2"	STAINLESS	343 / 34.3**








*Available in glycol (WG) version in identical size.

** Relief valve opens at 4,5 bar / 0.45 MPa

TRIPLE R OIL CLEANER: BU SERIES FILTERELEMENT SELECTION CHART
TRIPLE R BU 30 & BU 50 ELEMENT SELECTION CHART

SYSTEM	FOR BU30			FOR BU50			
MODEL	E-30	M-30	X-30	E-50	M-50	X-50	WG-50
ARTICLE #	TR-20270	TR-20230	TR-25250	TR-20370	TR-20330	TR-25350	TR-25620
MICRON*	5	2	10	5	2	10	10
BETA	539	200	145	539	200	145	93
FLUID	hydraulic, engine oil, fuels	hydraulic oil	lubrication oil	hydraulic, engine oil, fuels	hydraulic oil	lubrication oil	glycols
IMAGE							

TRIPLE R BU 100 ELEMENT SELECTION CHART

MODEL	D-100	E-100	E-100 SP	M-100	X-100	WE-100	WG-100
ARTICLE #	TR-20000	TR-20470	TR-20472	TR-20430	TR-25450	TR-20450	TR-25470
MICRON*	2	5	2	2	10	X	10
BETA	75	539	539	200	145	X	93
FLUID	hydraulic oil	hydraulic, engine oil, fuel	compressor fluids	hydraulic oil, fuels	lubrication oil	hydraulic, lubrication, engine oil	glycols
REMARKS	high dirt capacity					high water capacity	
IMAGE							

*All ratings are absolute ratings, multipass tested.

TRIPLE R OIL CLEANER: BU SERIES ORDER CODE GENERATOR, HOW TO ORDER

MODEL	HOUSING	VERSION	GASKET
BU	TABLE 1	TABLE 2	TABLE 3

TABLE 1	CODE
Single house	50
Single house	100
Two elements	200
Three elements	300

TABLE 2	CODE
Standard (hydraulic)	Leave empty
Water glycol	WG

TABLE 3	CODE
NBR GASKET (standard)	leave empty
VITON GASKET (housing gasket)	V

COMPLETE EXAMPLE ORDER CODE*							
BU	100						

* more options and custom engineered systems are available, contact us for more information

**BU SERIES BYPASS OIL CLEANERS ARE
PERFECT FOR:**

**Mobile hydraulics
Injection Moulding Machines
General Hydraulics
& much more!**

**check out www.tris.pro for more information
or contact us: +31(0)742428109 info@tris.pro**



www.ditech.no