



CONTACT US @ 855-355-2724
E-Mail: Sales@brahelectric.com
www.Brahelectric.com

PRODUCT DATA SHEET



Fuse Clips
Picture is for reference only,
Actual Kit may vary slightly

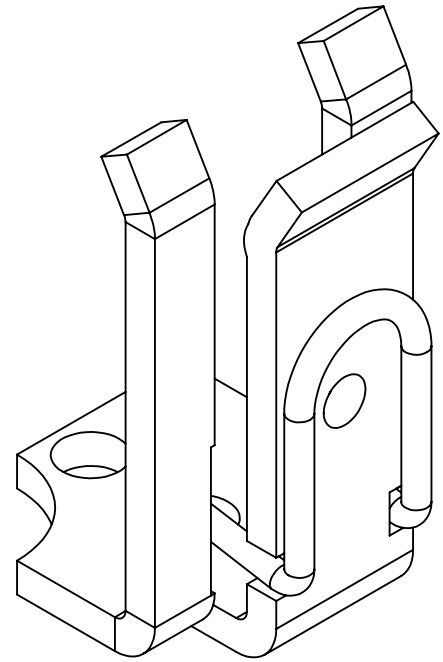
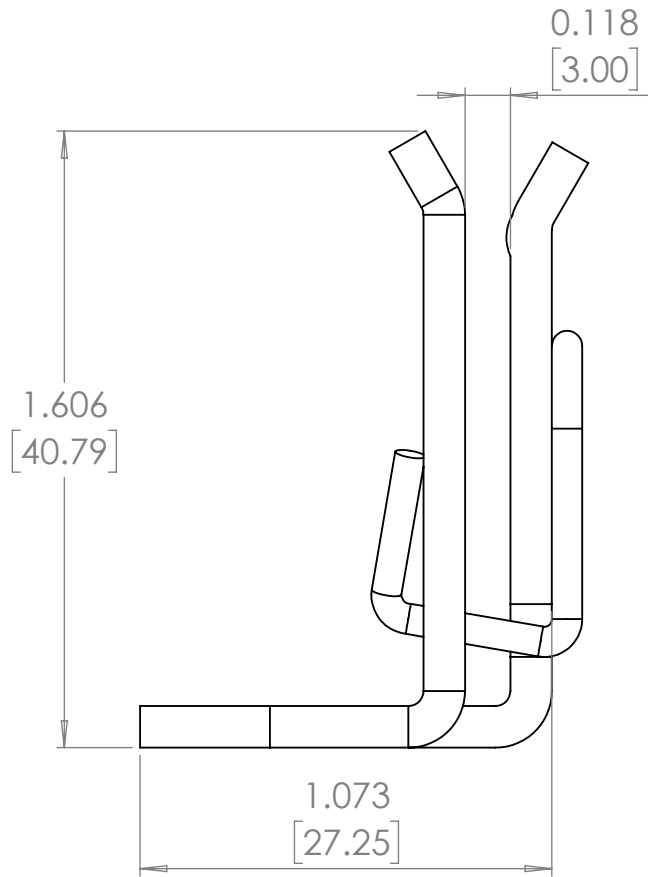
PART NUMBER-100A600VFC:

BRAH Electric, direct replacement, aftermarket conversion kit bus plug part, Fuse Clips, 100amp, 600volt, fuse clip, Class R rated, center double screw mount assembly (mounting screw not included), accepts all Class H, R, and K low voltage power fuses, field installable, substitute fuse clips for numerous OEM applications of bus plugs, disconnects, MCC's and fusible panel mount switches.

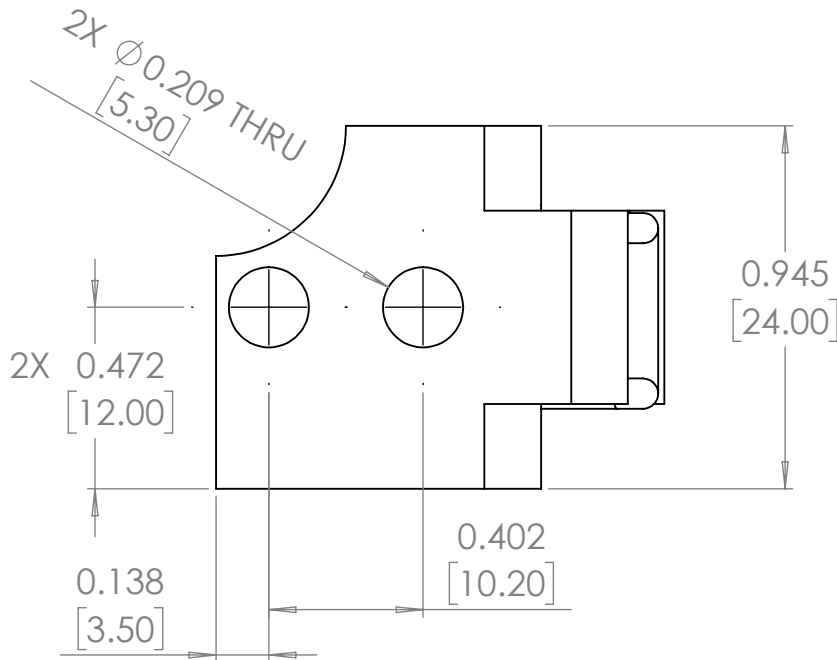
PRODUCT SPECIFICATIONS

Manufacturer	BRAH Electric
Sub-Category	Fuse Clip
Family	Universal
Type	Clip
Suitable For	Class R Class H Class K
Group	Fuse Clips
Amperage	100A
Voltage	600V

Warranty: All Products sold by BRAH Electric are guaranteed to be free of defect for a period of two years, under the condition that the product has been installed and operated properly. All items proven defective within the one year period will be replaced by BRAH Electric. In the event that we cannot provide a direct replacement, your monies will be refunded in full. We are not responsible for any consequential losses or damages outside of the defective product as well as any replacements or repairs performed by another party without our written authorization from BRAH Electric.



ISO VIEW



*NOTE: BRAH ELECTRIC BUS PLUGS ARE A DIRECT REPLACEMENT FOR BUS PLUG PARTS, 100A 600V MAXIMUM, UNIVERSAL FOR FUSIBLE SWITCHES AND BUS PLUGS, TO ACCEPT CLASS R, H AND K FUSES

WWW.BRAHELECTRIC.COM, 855-355-2724

<p>THIRD ANGLE PROJECTION</p>	<p>UNLESS OTHERWISE NOTED</p> <p>ALL DIMENSIONS ARE IN INCHES METRIC UNITS ARE DISPLAYED BENEATH IN [MM.]</p>			
	<p>PROPRIETARY AND CONFIDENTIAL</p> <p>THE INFORMATION CONTAINED IN THIS DRAWING IS THE SOLE PROPERTY OF BRAH ELECTRIC. ANY REPRODUCTION IN PART OR AS A WHOLE WITHOUT THE WRITTEN PERMISSION OF BRAH ELECTRIC IS PROHIBITED.</p>			
<p>MATERIAL</p>		<p>FINISH</p> <p>N/A</p>		<p>SIZE A</p>
<p>DO NOT SCALE DRAWING</p>		<p>DWG. NO.</p> <p>100A600VFC</p>	<p>REV.</p> <p>A</p>	<p>SHEET 1 OF 1</p>
		<p>SCALE:2:1</p>	<p>WEIGHT:</p>	