



CONTACT US @ 855-355-2724

E-Mail: [Sales@brahelectric.com](mailto:Sales@brahelectric.com)

[www.Brahelectric.com](http://www.Brahelectric.com)

## PRODUCT DATA SHEET

---



### BUS PLUGS

Picture is for reference only,  
Actual Kit may vary slightly

### **PART NUMBER- 100L:**

BRAH Electric lug terminal kit for bus plugs, universal lug terminals, rated for 1 AWG wire size, substitute lug for OEM General Electric, Square D, Siemens, Eaton fusible switches and bus plugs, great terminal for wiring and terminating all applications rated up to 100 amp and 600 volts, lugs sold individually.

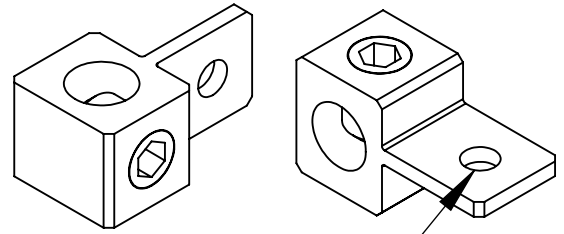
### **PRODUCT SPECIFICATIONS**

Manufacturer	BRAH Electric
Sub-Category	Bus Plug Parts
Family	Universal
Type	100
Group	Hardware Parts
OEM Manufacturer	ILSCO
Amperage Min	100
Voltage Max	600

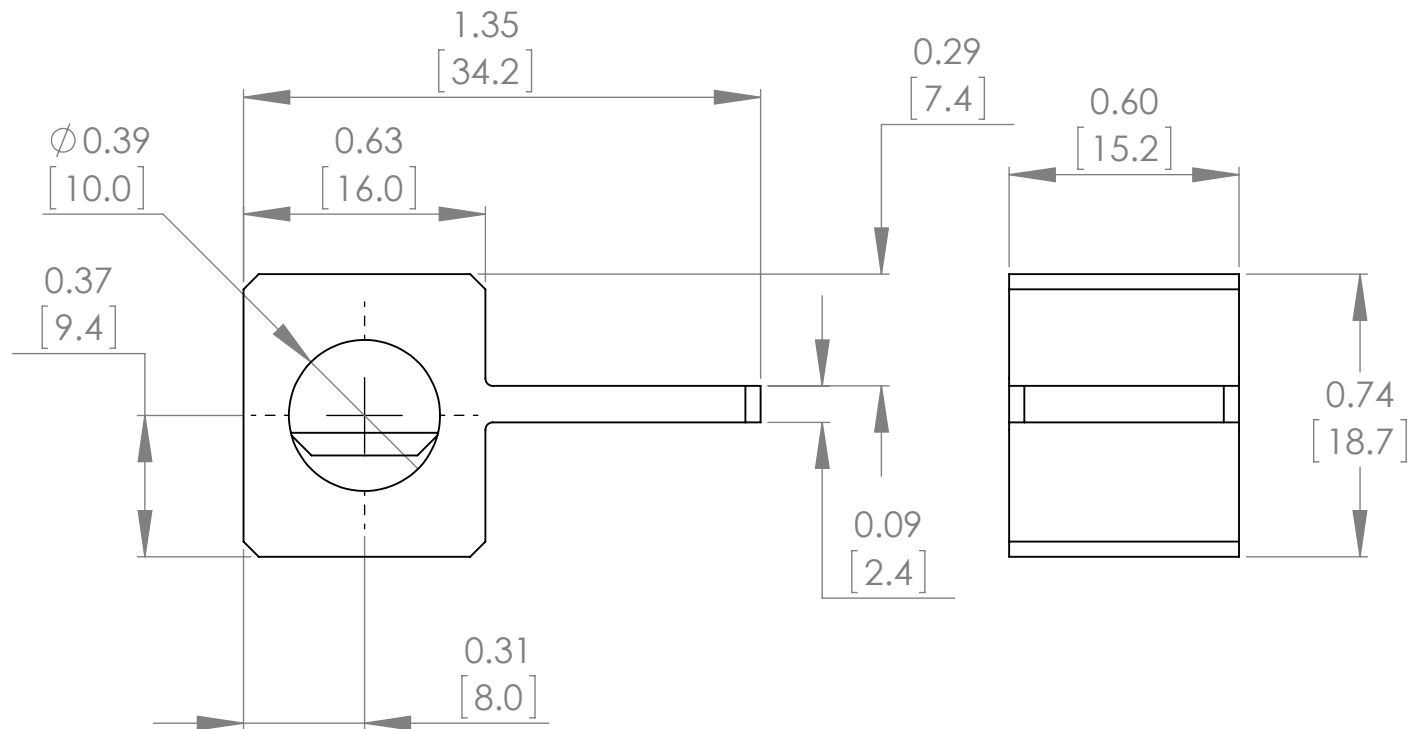
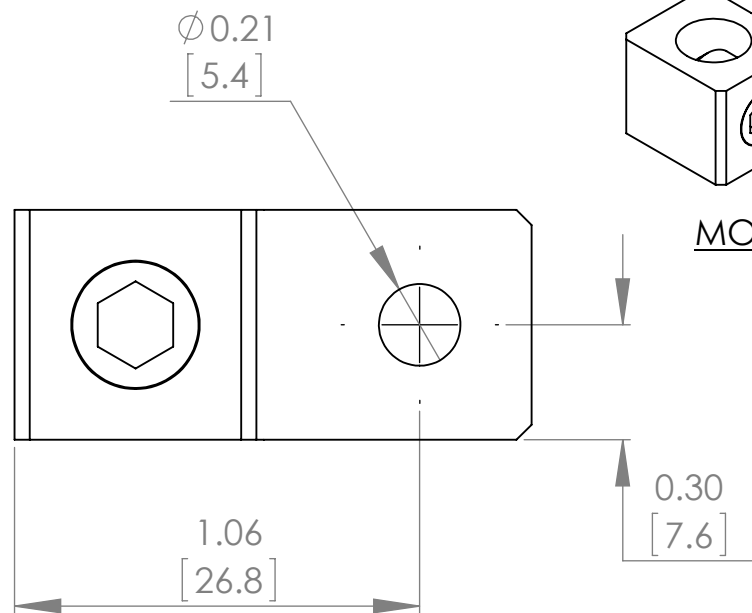
**Warranty:** All Products sold by BRAH Electric are guaranteed to be free of defect for a period of two years, under the condition that the product has been installed and operated properly. All items proven defective within the one year period will be replaced by BRAH Electric. In the event that we cannot provide a direct replacement, your monies will be refunded in full. We are not responsible for any consequential losses or damages outside of the defective product as well as any replacements or repairs performed by another party without our written authorization from BRAH Electric.

REVISIONS

ZONE	REV.	DESCRIPTION	DATE	APPROVED
------	------	-------------	------	----------



MOUNTING HOLE  
ISO VIEW



[WWW.BRAHELECTRIC.COM](http://WWW.BRAHELECTRIC.COM), 855-355-2724

\* NOTE: BRAH ELECTRIC, LUG TERMINAL KITS, 1 LUG PER KIT, 1 AWG, CAN BE USED FOR ANY MANUFACTURERS' BUS PLUG OR SWITCH 100A OR LESS

THIRD ANGLE PROJECTION

**PROPRIETARY AND CONFIDENTIAL**  
THE INFORMATION CONTAINED IN THIS DRAWING IS THE SOLE PROPERTY OF BRAH ELECTRIC. ANY REPRODUCTION IN PART OR AS A WHOLE WITHOUT THE WRITTEN PERMISSION OF BRAH ELECTRIC IS PROHIBITED.

UNLESS OTHERWISE NOTED  
ALL DIMENSIONS ARE IN INCHES  
METRIC UNITS ARE DISPLAYED  
BENEATH IN [ MM. ]

MATERIAL	-
FINISH	N/A
DO NOT SCALE DRAWING	

**NEUTRAL KITS**

SIZE	DWG. NO.	REV.
<b>A</b>	100L	<b>A</b>
SCALE:2:1	WEIGHT:	SHEET 1 OF 1