



CONTACT US @ 855-355-2724

E-Mail: [Sales@brahelectric.com](mailto:Sales@brahelectric.com)

[www.Brahelectric.com](http://www.Brahelectric.com)

## PRODUCT DATA SHEET

---



**PART NUMBER – 200G:** BRAH Electric, aftermarket direct replacement, 200A 600V maximum, ground connector, to be used with ground stab assembly for ground connection, suitable for use with General Electric Armor Clad, Spectra Series and Spectra Low-Amp Series bus plugs

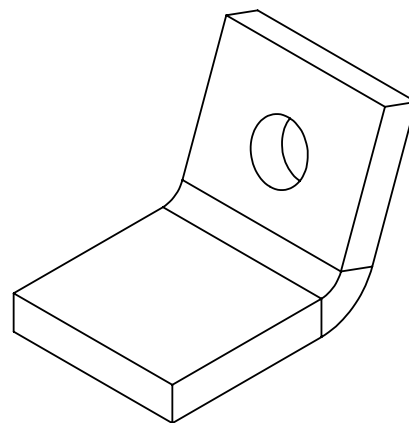
### **PRODUCT SPECIFICATIONS**

Manufacturer	BRAH Electric
Sub-Category	Bus Plug Parts
Family	BRAH-Bus Plugs
Type	GRND
Group	Grounds
Type For	AC,SB,SL
Voltage	600V
Amperage	200A

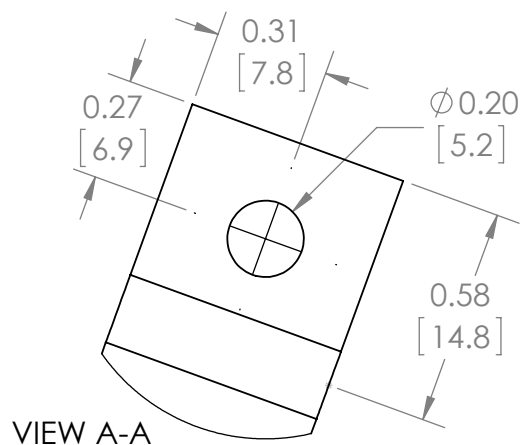
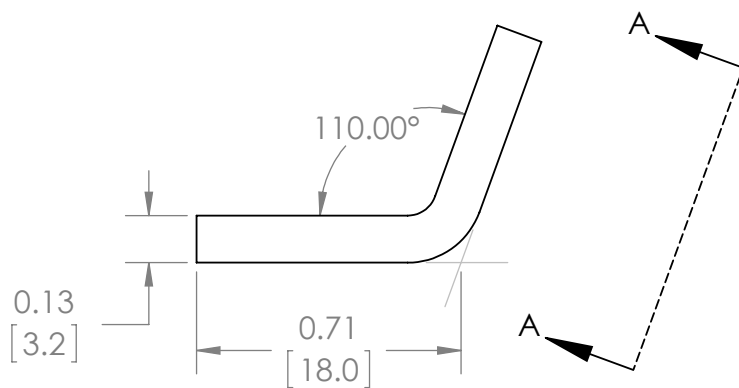
Bus Plug Accessories  
PART NO.200G

**Warranty:** All Products sold by BRAH Electric are guaranteed to be free of defect for a period of one year, under the condition that the product has been installed and operated properly. All items proven defective within the one year period will be replaced by BRAH Electric. In the event that we cannot provide a direct replacement, your monies will be refunded in full. We are not responsible for any consequential losses or damages outside of the defective product as well as any replacements or repairs performed by another party without our written authorization from BRAH Electric.

REVISIONS				
ZONE	REV.	DESCRIPTION	DATE	APPROVED



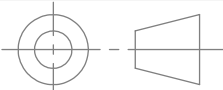

ISO VIEW



VIEW A-A

[WWW.BRAHELECTRIC.COM](http://WWW.BRAHELECTRIC.COM), 855-355-2724

\*NOTE: BRAH ELECTRIC BUS PLUG ACCESORIES 200G IS AN AFTERMARKET DIRECT REPLACEMENT FOR 200A 600V, SUITABLE FOR USE WITH GENERAL ELECTRIC ARMOR CIAD, SPECTRA SERIES AND SPECTRA LOW-AMP SERIES BUS PLUGS

 THIRD ANGLE PROJECTION	UNLESS OTHERWISE NOTED ALL DIMENSIONS ARE IN INCHES METRIC UNITS ARE DISPLAYED BENEATH IN [ MM. ]	 <b>BRAH</b> Electric
	PROPRIETARY AND CONFIDENTIAL THE INFORMATION CONTAINED IN THIS DRAWING IS THE SOLE PROPERTY OF BRAH ELECTRIC. ANY REPRODUCTION IN PART OR AS A WHOLE WITHOUT THE WRITTEN PERMISSION OF BRAH ELECTRIC IS PROHIBITED.	
SIZE <b>A</b> DWG. NO. <b>200G</b>		REV. <b>A</b>
SCALE: 2:1		WEIGHT: 3.2 LBS
SHEET 1 OF 1		