



CONTACT US @ 855-355-2724

E-Mail: Sales@brahelectric.com

www.Brahelectric.com

PRODUCT DATA SHEET



PART NUMBER – 600G: BRAH Electric, aftermarket direct replacement, 600A 600V maximum, ground connector, to be used with ground stab assembly for ground connection, suitable for use with General Electric Armor Clad, Spectra Series and Spectra Low-Amp Series bus plugs

PRODUCT SPECIFICATIONS

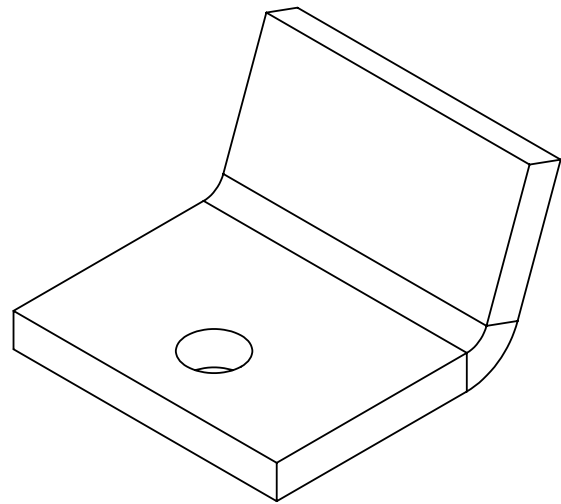
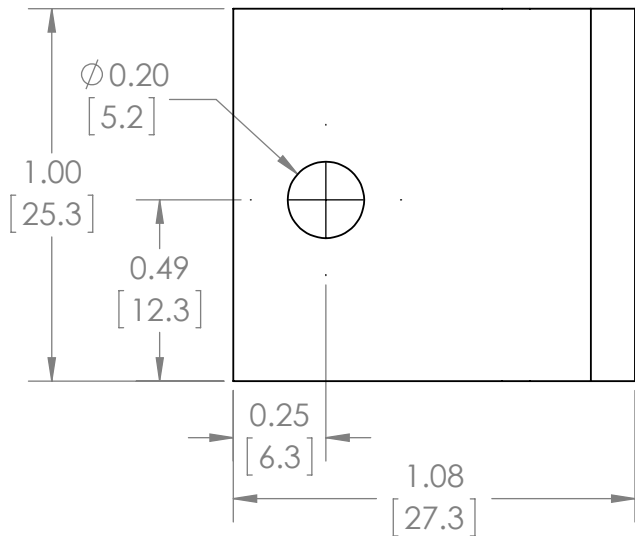
| | |
|--------------|----------------|
| Manufacturer | BRAH Electric |
| Sub-Category | BUS Plug Parts |
| Family | BRAH-Bus Plugs |
| Type | GRND |
| Group | Grounds |
| Type For | AC, SB, SL |
| Voltage | 600 |
| Amperage | 600 |

Bus Plug Accessories

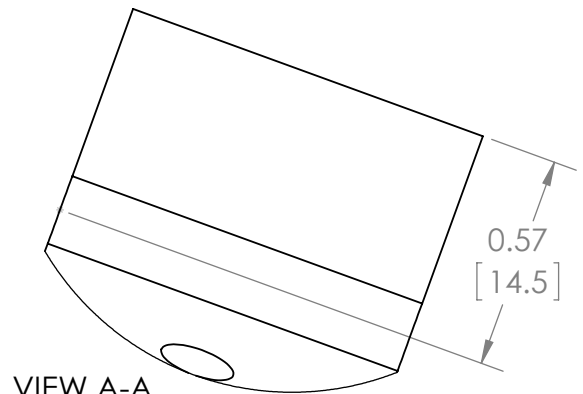
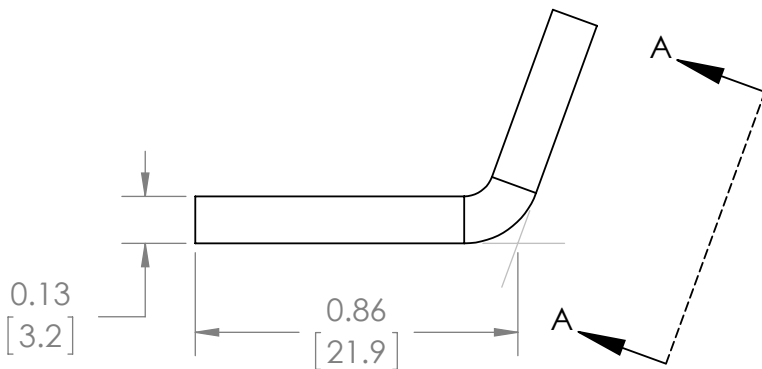
PART NO. 600G

Warranty: All Products sold by BRAH Electric are guaranteed to be free of defect for a period of one year, under the condition that the product has been installed and operated properly. All items proven defective within the one year period will be replaced by BRAH Electric. In the event that we cannot provide a direct replacement, your monies will be refunded in full. We are not responsible for any consequential losses or damages outside of the defective product as well as any replacements or repairs performed by another party without our written authorization from BRAH Electric

| REVISIONS | | | | |
|-----------|------|-------------|------|----------|
| ZONE | REV. | DESCRIPTION | DATE | APPROVED |



ISO VIEW



VIEW A-A

WWW.BRAHELECTRIC.COM, 855-355-2724

*NOTE: BRAH ELECTRIC BUS PLUG ACCESSORIES 600G IS AN AFTERMARKET DIRECT REPLACEMENT FOR 600A 600V, SUITABLE FOR USE WITH GENERAL ELECTRIC ARMOR CIAD, SPECTRA SERIES AND SPECTRA LOW-AMP SERIES BUS PLUGS

| | | | |
|---|---|-----------------------------|--|
| <p>THIRD ANGLE PROJECTION</p> | <p>UNLESS OTHERWISE NOTED ALL DIMENSIONS ARE IN INCHES METRIC UNITS ARE DISPLAYED BENEATH IN [MM.]</p> | | |
| | <p>PROPRIETARY AND CONFIDENTIAL THE INFORMATION CONTAINED IN THIS DRAWING IS THE SOLE PROPERTY OF BRAH ELECTRIC. ANY REPRODUCTION IN PART OR AS A WHOLE WITHOUT THE WRITTEN PERMISSION OF BRAH ELECTRIC IS PROHIBITED.</p> | | |
| <p>MATERIAL MOLDED PLASTIC CASE</p> | <p>FINISH N/A</p> | <p>DO NOT SCALE DRAWING</p> | <p>SIZE DWG. NO. 600G REV. A</p> |
| <p>SCALE: 2:1</p> | | <p>WEIGHT: 3.2 LBS</p> | <p>SHEET 1 OF 1</p> |