

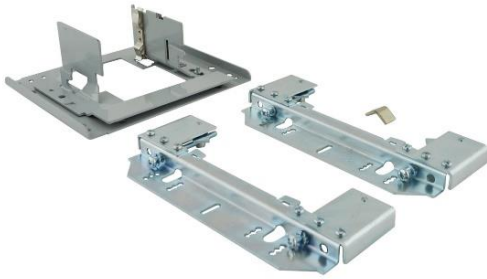


CONTACT US @ 855-355-2724

E-Mail: Sales@brahelectric.com

www.Brahelectric.com

PRODUCT DATA SHEET



BUS PLUGS

Picture is for reference only,
Actual Kit may vary slightly

PART NUMBER- AC1:

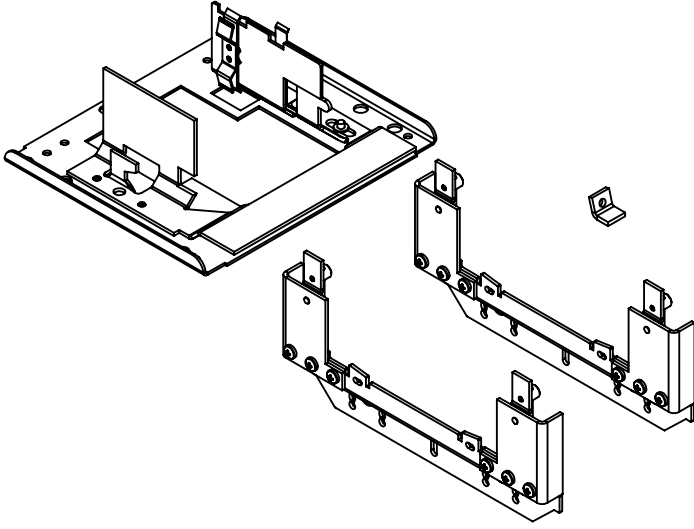
BRAH Electric, direct replacement, aftermarket conversion kit for GE Armor Clad Series bus plugs, the kit assembly includes all bracketry to convert bus plugs rated 30Amp -100Amp, 600V max, with ground; direct replacement for OEM part numbers SBAC1G and SLAC1G and will convert SPECTRA or SPECTRA LOW-AMP style bus plugs into ARMOR CLAD style bus plugs; good for use with both fusible and circuit breaker style bus plugs; use with Armor-Clad bus duct and busway systems.

PRODUCT SPECIFICATIONS

Manufacturer	BRAH Electric
Sub-Category	Conversion Kits
Family	Armor Clad
Type	AC1
Group	Bus Plug Parts
OEM Manufacturer	General Electric
Amperage Min	30
Amperage Max	100
Voltage Max	600

Warranty: All Products sold by BRAH Electric are guaranteed to be free of defect for a period of two years, under the condition that the product has been installed and operated properly. All items proven defective within the one year period will be replaced by BRAH Electric. In the event that we cannot provide a direct replacement, your monies will be refunded in full. We are not responsible for any consequential losses or damages outside of the defective product as well as any replacements or repairs performed by another party without our written authorization from BRAH Electric.



REVISIONS				
ZONE	REV.	DESCRIPTION	DATE	APPROVED



ISO VIEW

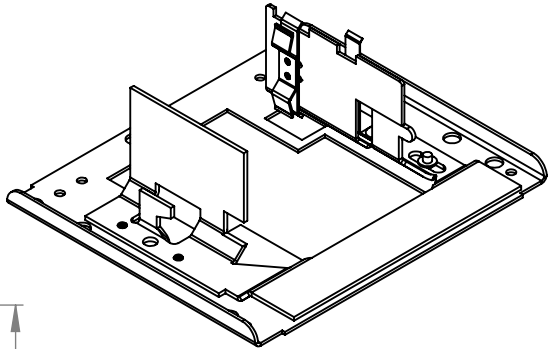
WWW.BRAHELECTRIC.COM, 855-355-2724

*NOTE: BRAH ELECTRIC DIRECT REPLACEMENT CONVERSION KIT FOR GENERAL ELECTRIC, ARMOR CLAD SERIES, TYPE SBAC, 600V MAX, WITH GROUND, FOR USE WITH 30A-100A RATED BUS PLUGS

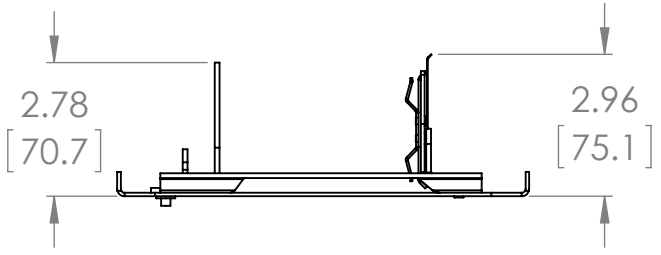
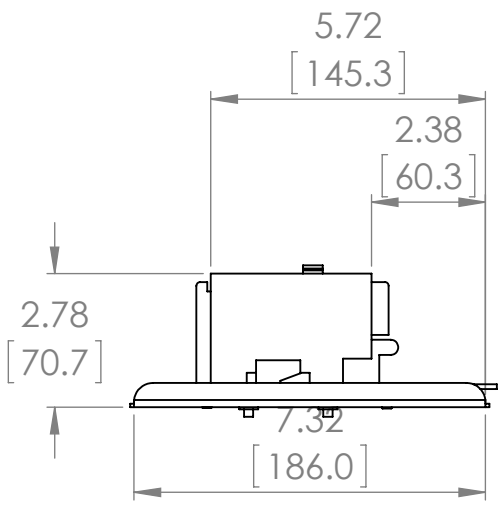
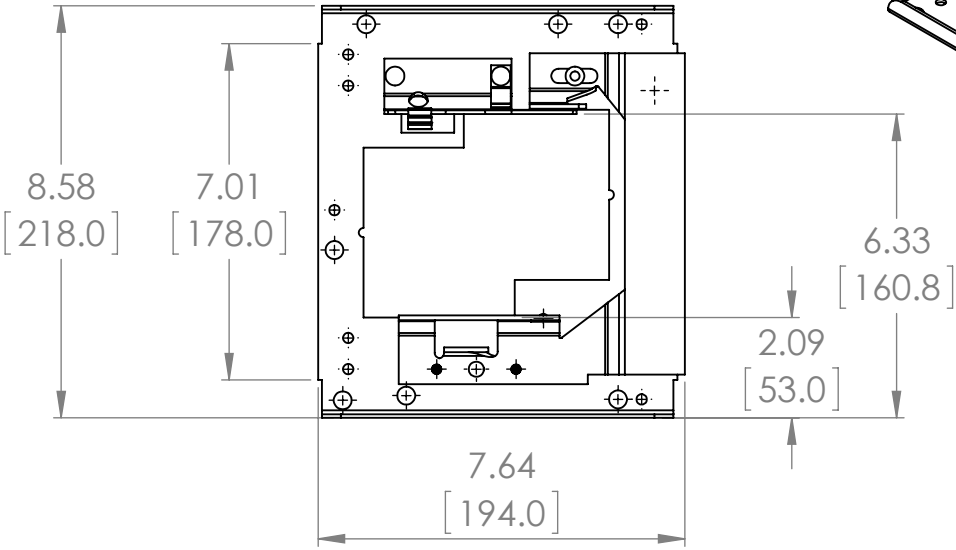
 THIRD ANGLE PROJECTION	UNLESS OTHERWISE NOTED ALL DIMENSIONS ARE IN INCHES METRIC UNITS ARE DISPLAYED BENEATH IN [MM.]			
	PROPRIETARY AND CONFIDENTIAL THE INFORMATION CONTAINED IN THIS DRAWING IS THE SOLE PROPERTY OF BRAH ELECTRIC. ANY REPRODUCTION IN PART OR AS A WHOLE WITHOUT THE WRITTEN PERMISSION OF BRAH ELECTRIC IS PROHIBITED.			
MATERIAL		SIZE A DWG. NO. SBAC1G REV. A		SHEET 1 OF 4
FINISH N/A		SCALE: 1:5 WEIGHT:		
DO NOT SCALE DRAWING				

REVISIONS

ZONE	REV.	DESCRIPTION	DATE	APPROVED
------	------	-------------	------	----------



ISO VIEW



WWW.BRAHELECTRIC.COM, 855-355-2724

*NOTE: BRAH ELECTRIC DIRECT REPLACEMENT CONVERSION KIT FOR GENERAL ELECTRIC, ARMOR CLAD SERIES, TYPE SBAC, 600V MAX, WITH GROUND, FOR USE WITH 30A-100A RATED BUS PLUGS

THIRD ANGLE PROJECTION

PROPRIETARY AND CONFIDENTIAL
THE INFORMATION CONTAINED IN THIS DRAWING IS THE SOLE PROPERTY OF BRAH ELECTRIC. ANY REPRODUCTION IN PART OR AS A WHOLE WITHOUT THE WRITTEN PERMISSION OF BRAH ELECTRIC IS PROHIBITED.

UNLESS OTHERWISE NOTED
ALL DIMENSIONS ARE IN INCHES
METRIC UNITS ARE DISPLAYED
BENEATH IN [MM.]

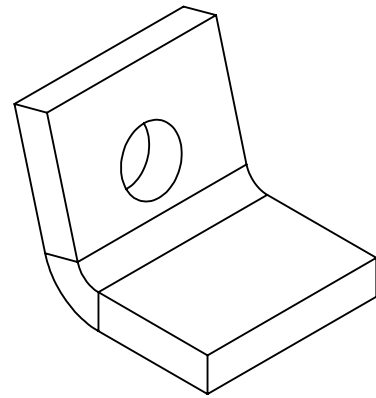
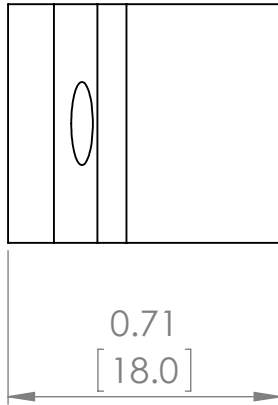
MATERIAL	
FINISH	N/A
DO NOT SCALE DRAWING	

NEUTRAL KITS

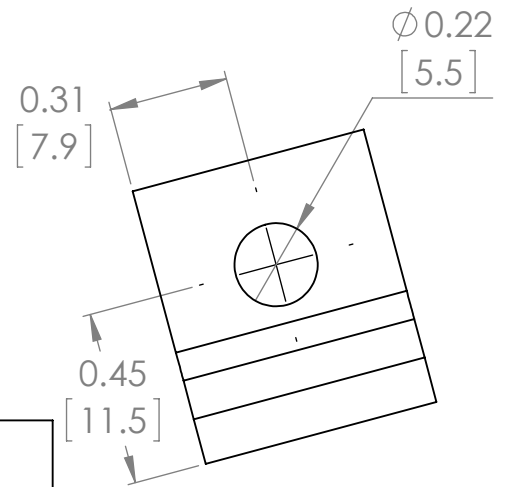
SIZE	DWG. NO.	REV.
A	SBAC1G	A
SCALE: 1:4	WEIGHT:	SHEET 2 OF 4

REVISIONS

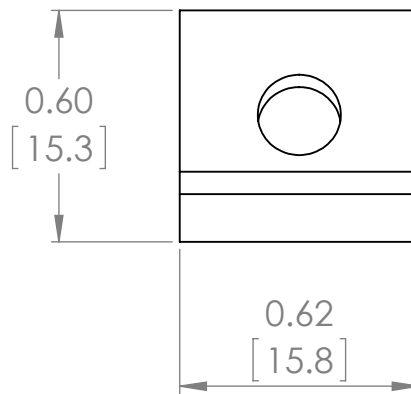
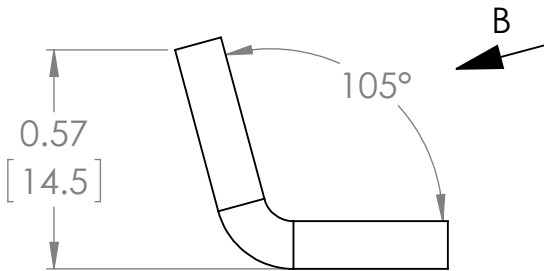
ZONE	REV.	DESCRIPTION	DATE	APPROVED
------	------	-------------	------	----------



ISO VIEW



VIEW B
SCALE 2 : 1



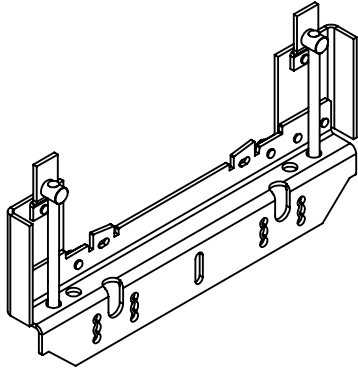
WWW.BRAHELECTRIC.COM, 855-355-2724

*NOTE: BRAH ELECTRIC DIRECT REPLACEMENT CONVERSION KIT FOR GENERAL ELECTRIC, ARMOR CLAD SERIES, TYPE SBAC, 600V MAX, WITH GROUND, FOR USE WITH 30A-100A RATED BUS PLUGS

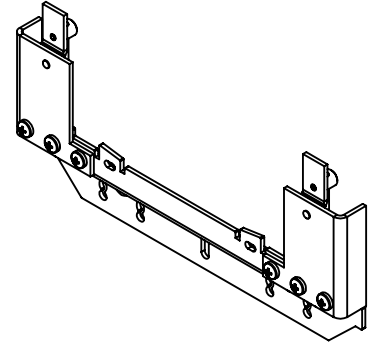
<p>THIRD ANGLE PROJECTION</p>	<p>UNLESS OTHERWISE NOTED</p> <p>ALL DIMENSIONS ARE IN INCHES METRIC UNITS ARE DISPLAYED BENEATH IN [MM.]</p>					
	<p>PROPRIETARY AND CONFIDENTIAL</p> <p>THE INFORMATION CONTAINED IN THIS DRAWING IS THE SOLE PROPERTY OF BRAH ELECTRIC. ANY REPRODUCTION IN PART OR AS A WHOLE WITHOUT THE WRITTEN PERMISSION OF BRAH ELECTRIC IS PROHIBITED.</p>				<p>NEUTRAL KITS</p>	
<p>MATERIAL</p>		<p>FINISH</p> <p>N/A</p>		<p>SIZE</p> <p>A</p>	<p>DWG. NO.</p> <p>SBAC1G</p>	<p>REV.</p> <p>A</p>
<p>DO NOT SCALE DRAWING</p>		<p>SCALE: 1:4</p>	<p>WEIGHT:</p>	<p>SHEET 3 OF 4</p>		

REVISIONS

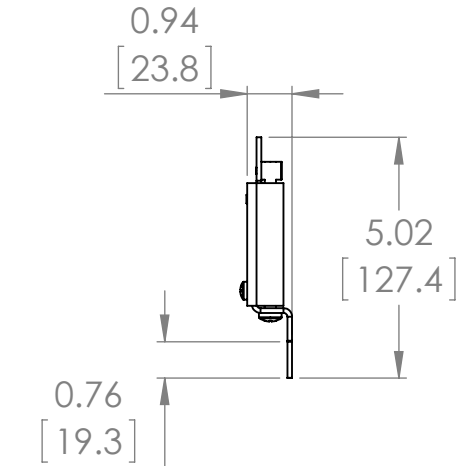
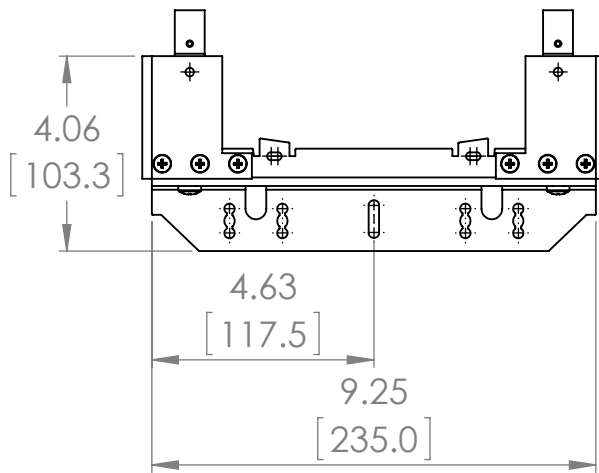
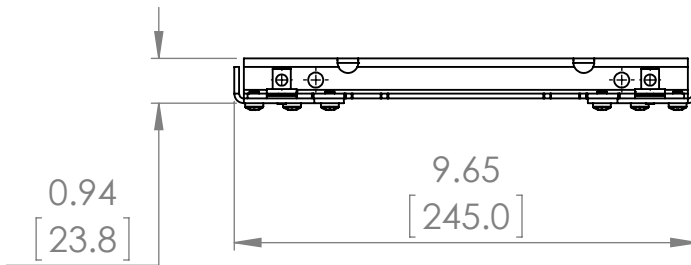
ZONE	REV.	DESCRIPTION	DATE	APPROVED
------	------	-------------	------	----------



ISO VIEW

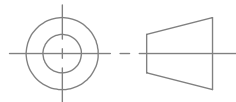


ISO VIEW



*NOTE: BRAH ELECTRIC DIRECT REPLACEMENT CONVERSION KIT FOR GENERAL ELECTRIC, ARMOR CLAD SERIES, TYPE SBAC, 600V MAX, WITH GROUND, FOR USE WITH 30A-100A RATED BUS PLUGS

WWW.BRAHELECTRIC.COM, 855-355-2724



THIRD ANGLE PROJECTION

PROPRIETARY AND CONFIDENTIAL

THE INFORMATION CONTAINED IN THIS DRAWING IS THE SOLE PROPERTY OF BRAH ELECTRIC. ANY REPRODUCTION IN PART OR AS A WHOLE WITHOUT THE WRITTEN PERMISSION OF BRAH ELECTRIC IS PROHIBITED.

UNLESS OTHERWISE NOTED

ALL DIMENSIONS ARE IN INCHES
METRIC UNITS ARE DISPLAYED
BENEATH IN [MM.]

MATERIAL

FINISH

N/A

DO NOT SCALE DRAWING



NEUTRAL KITS

SIZE **A** DWG. NO.

SBAC1G

REV. **A**

SCALE: 1:4

WEIGHT:

SHEET 4 OF 4