

## PRODUCT DATA SHEET

---



Bus Plug Accessories  
PART NO. AC200CLIP

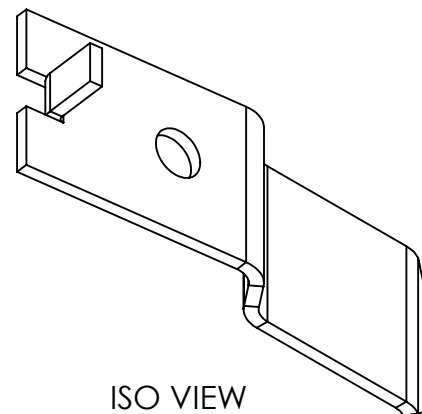
**PART NUMBER – AC200CLIP:** BRAH Electric, aftermarket direct replacement ground stab clip for General Electric Armor Clad bus plugs, suitable for use with 30A - 200A type "AC" bus plugs, that are "pre" series 7 vintage, also know as "older-style"

### **PRODUCT SPECIFICATIONS**

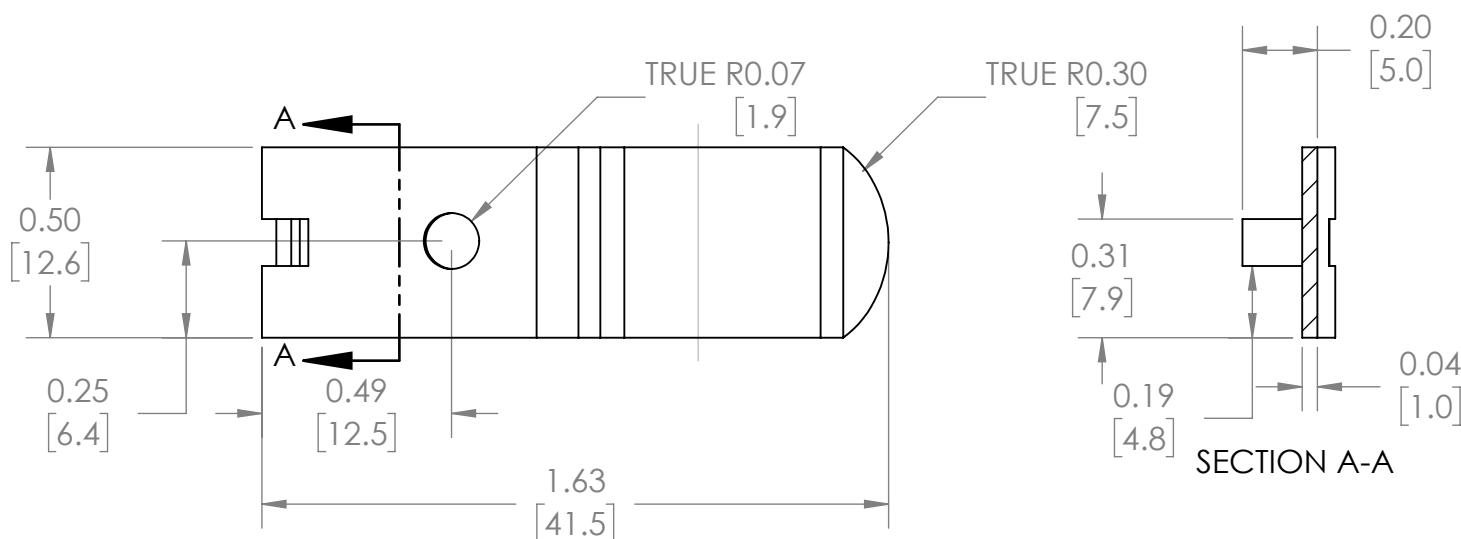
Manufacturer	BRAH Electric
Sub-Category	Bus Plug Parts
Family	BRAH-Bus Plugs
Type	AC200
Group	Bus Plug Parts
Type	For AC

**Warranty:** All Products sold by BRAH Electric are guaranteed to be free of defect for a period of one year, under the condition that the product has been installed and operated properly. All items proven defective within the one year period will be replaced by BRAH Electric. In the event that we cannot provide a direct replacement, your monies will be refunded in full. We are not responsible for any consequential losses or damages outside of the defective product as well as any replacements or repairs performed by another party without our written authorization from BRAH Electric.

REVISIONS				
ZONE	REV.	DESCRIPTION	DATE	APPROVED



ISO VIEW



[WWW.BRAHELECTRIC.COM](http://WWW.BRAHELECTRIC.COM), 855-355-2724

\*NOTE: BRAH ELECTRIC BUS PLUG ACCESSORIES AC200CLIP IS AN AFTERMARKET DIRECT REPLACEMENT FOR GROUND STAB CLIP FOR GENERAL ELECTRIC ARMOR CLAD BUS PLUGS, SUITABLE FOR USE WITH 30A - 200A TYPE "AC" BUS PLUGS.

<p>THIRD ANGLE PROJECTION</p>	<p>UNLESS OTHERWISE NOTED</p> <p>ALL DIMENSIONS ARE IN INCHES METRIC UNITS ARE DISPLAYED BENEATH IN [ MM. ]</p>	
	<p><b>PROPRIETARY AND CONFIDENTIAL</b></p> <p>THE INFORMATION CONTAINED IN THIS DRAWING IS THE SOLE PROPERTY OF BRAH ELECTRIC. ANY REPRODUCTION IN PART OR AS A WHOLE WITHOUT THE WRITTEN PERMISSION OF BRAH ELECTRIC IS PROHIBITED.</p>	
<p>MATERIAL</p> <p>-</p>	<p>FINISH</p> <p>N/A</p>	<p>SIZE <b>A</b> DWG. NO. AC200CLIP</p>
<p>DO NOT SCALE DRAWING</p>	<p>SCALE: 2:1</p>	<p>WEIGHT: 3.2 LBS</p>
		<p>REV. <b>A</b></p> <p>SHEET 1 OF 1</p>