



CONTACT US @ 855-355-2724

E-Mail: Sales@brahelectric.com

www.Brahelectric.com

PRODUCT DATA SHEET



PART NUMBER – AC200GRND: BRAH Electric, aftermarket direct replacement ground stab for General Electric Armor Clad bus plugs, suitable for use with 30A - 200A type "AC" bus plugs, that are "pre" series 7 vintage, also know as "older-style"

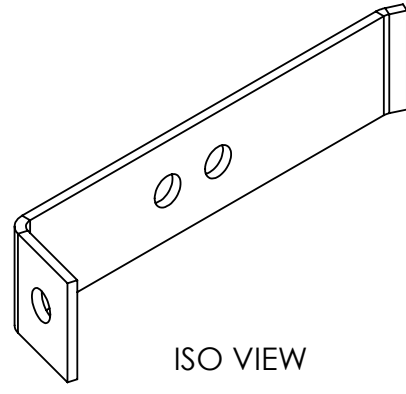
PRODUCT SPECIFICATIONS

Bus Plug Accessories
PART NO. AC200GRND

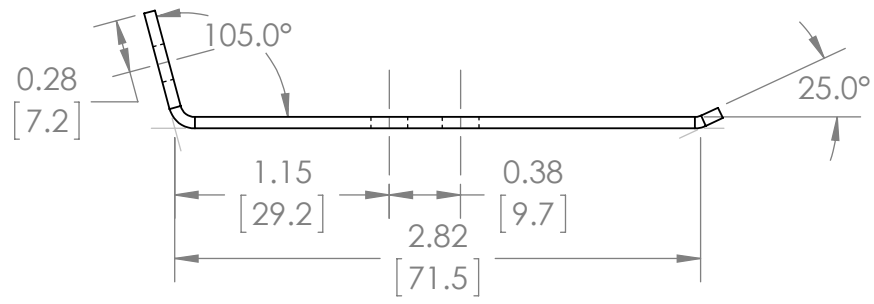
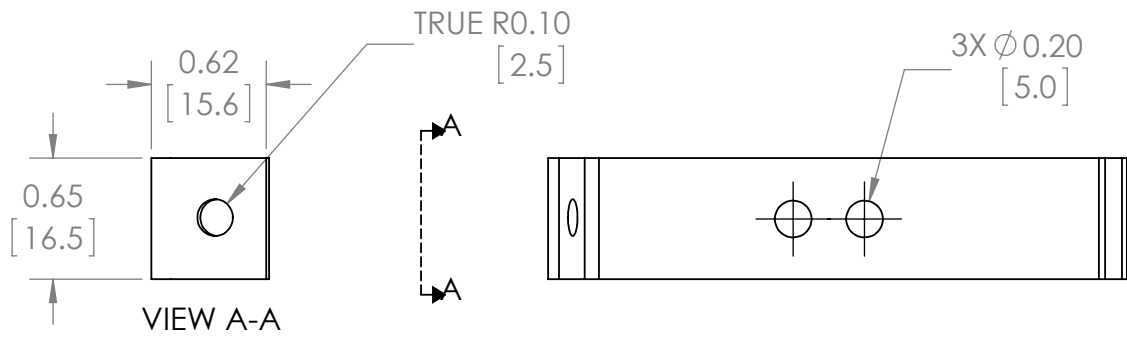
Manufacturer	BRAH Electric
Sub-Category	Bus Plug Parts
Family	BRAH-Bus Plugs
Type	AC200
Group	Bus Plug Parts
Type	For AC
Amperage Min	30
Amperage Max	200

Warranty: All Products sold by BRAH Electric are guaranteed to be free of defect for a period of one year, under the condition that the product has been installed and operated properly. All items proven defective within the one year period will be replaced by BRAH Electric. In the event that we cannot provide a direct replacement, your monies will be refunded in full. We are not responsible for any consequential losses or damages outside of the defective product as well as any replacements or repairs performed by another party without our written authorization from BRAH Electric.

REVISIONS				
ZONE	REV.	DESCRIPTION	DATE	APPROVED

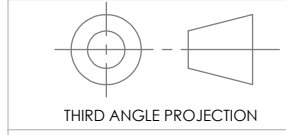


ISO VIEW




WWW.BRAHELECTRIC.COM, 855-355-2724

*NOTE: BRAH ELECTRIC BUS PLUG ACCESSORIES AC200GRND IS AN AFTERMARKET DIRECT REPLACEMENT FOR ARMOR CLAD BUS PLUGS. SUITABLE FOR USE WITH 30A-200A TYPE "AC" BUS PLUGS



PROPRIETARY AND CONFIDENTIAL
 THE INFORMATION CONTAINED IN THIS DRAWING IS THE SOLE PROPERTY OF BRAH ELECTRIC. ANY REPRODUCTION IN PART OR AS A WHOLE WITHOUT THE WRITTEN PERMISSION OF BRAH ELECTRIC IS PROHIBITED.

UNLESS OTHERWISE NOTED	
ALL DIMENSIONS ARE IN INCHES METRIC UNITS ARE DISPLAYED BENEATH IN [MM.]	
MATERIAL	-
FINISH	N/A
DO NOT SCALE DRAWING	



BUS PLUG ACCESSORIES

SIZE A	DWG. NO. AC200GRND	REV. A
SCALE: 1:1	WEIGHT: 3.2 LBS	SHEET 1 OF 1