

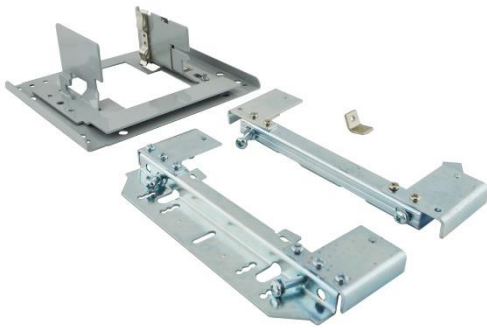


CONTACT US @ 855-355-2724

E-Mail: Sales@brahelectric.com

www.Brahelectric.com

PRODUCT DATA SHEET



BUS PLUGS

Picture is for reference only,
Actual Kit may vary slightly

PART NUMBER- AC4:

BRAH Electric, direct replacement, aftermarket conversion kit for GE Armor Clad Series bus plugs, the kit assembly includes all bracketry to convert bus plugs rated 110Amp - 250Amp, 600Volt max, with ground; direct replacement for OEM part numbers SBAC4G and SLAC4G and will convert SPECTRA or SPECTRA LOW-AMP style bus plugs into ARMOR CLAD style bus plugs, used with both circuit breaker & fusible style bus plugs; use with Armor-Clad bus duct and busway systems.

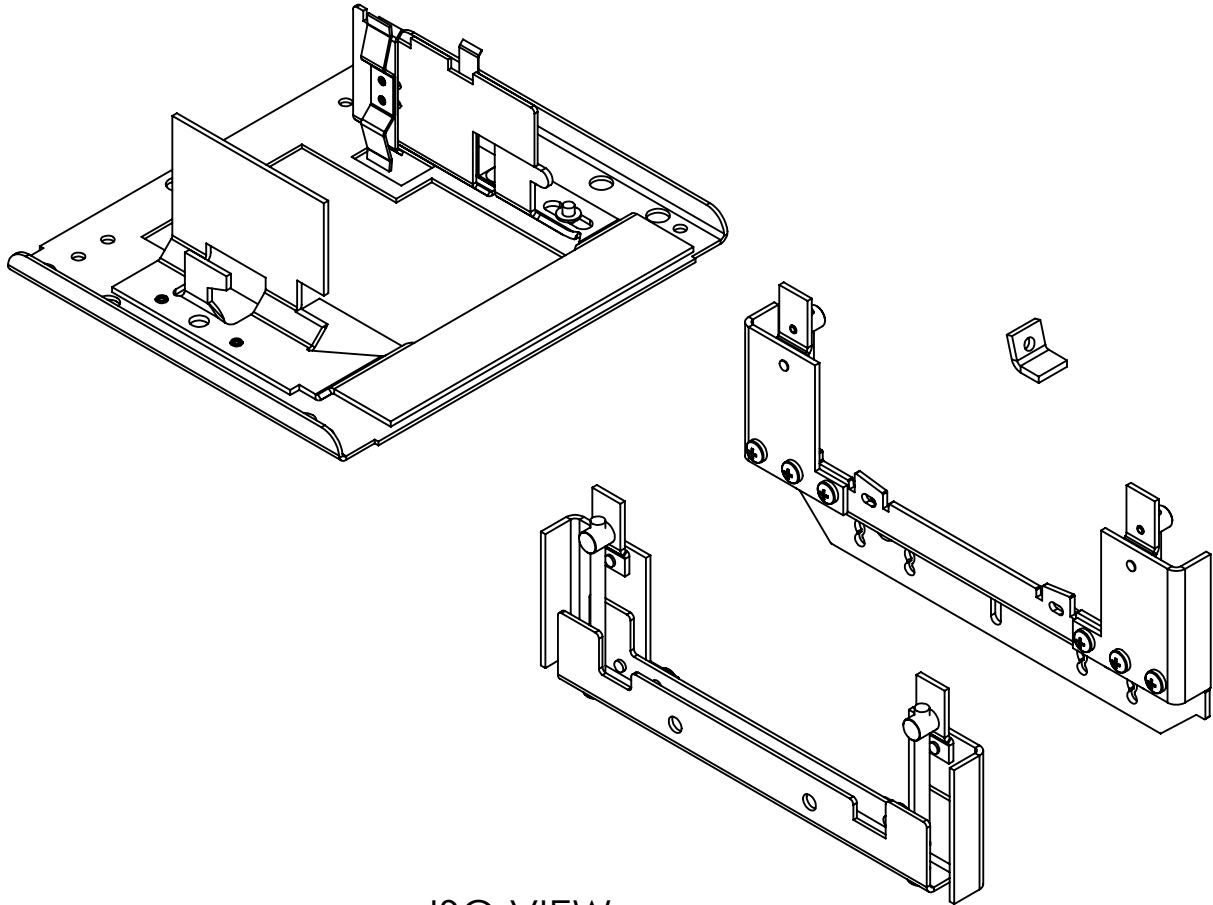
PRODUCT SPECIFICATIONS

Manufacturer	BRAH Electric
Sub-Category	Conversion Kits
Family	Armor Clad
Type	AC4
Group	Bus Plug Parts
OEM Manufacturer	General Electric
Amperage Min	110
Amperage Max	250
Voltage Max	600

Warranty: All Products sold by BRAH Electric are guaranteed to be free of defect for a period of two years, under the condition that the product has been installed and operated properly. All items proven defective within the one year period will be replaced by BRAH Electric. In the event that we cannot provide a direct replacement, your monies will be refunded in full. We are not responsible for any consequential losses or damages outside of the defective product as well as any replacements or repairs performed by another party without our written authorization from BRAH Electric.

REVISIONS

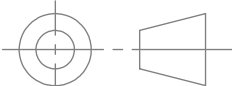

ZONE	REV.	DESCRIPTION	DATE	APPROVED
------	------	-------------	------	----------



ISO VIEW

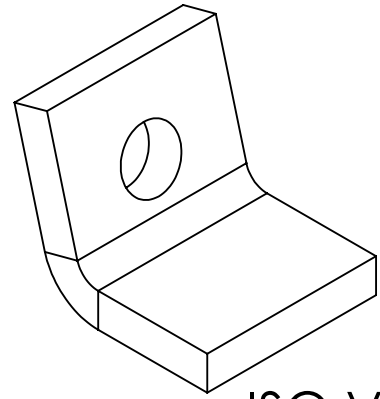
*NOTE: BRAH ELECTRIC DIRECT REPLACEMENT CONVERSION KIT FOR GENERAL ELECTRIC, ARMOR CLAD SERIES, TYPE SBAC, 600V MAX, WITH GROUND, FOR USE WITH 110A-250A RATED BUS PLUGS

WWW.BRAHELECTRIC.COM, 855-355-2724

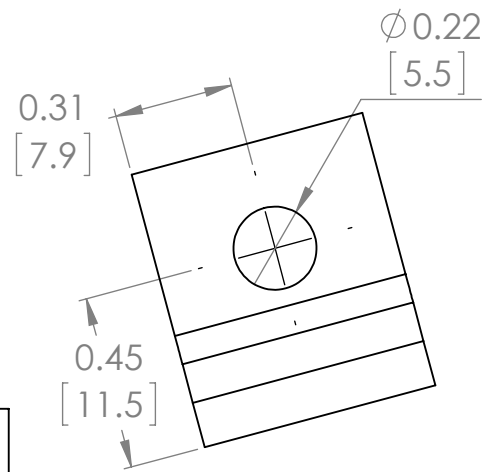
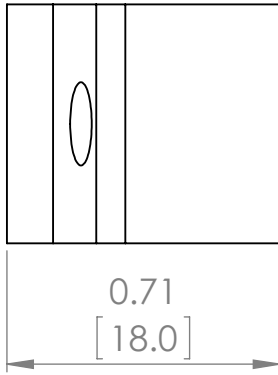
 THIRD ANGLE PROJECTION	UNLESS OTHERWISE NOTED ALL DIMENSIONS ARE IN INCHES METRIC UNITS ARE DISPLAYED BENEATH IN [MM.]			
	PROPRIETARY AND CONFIDENTIAL THE INFORMATION CONTAINED IN THIS DRAWING IS THE SOLE PROPERTY OF BRAH ELECTRIC. ANY REPRODUCTION IN PART OR AS A WHOLE WITHOUT THE WRITTEN PERMISSION OF BRAH ELECTRIC IS PROHIBITED.			
MATERIAL		FINISH		SIZE A
DO NOT SCALE DRAWING		N/A		DWG. NO. SBAC4G
		SCALE: 1:3		WEIGHT: 3.2 LBS
				REV. A
				SHEET 1 OF 5

REVISIONS

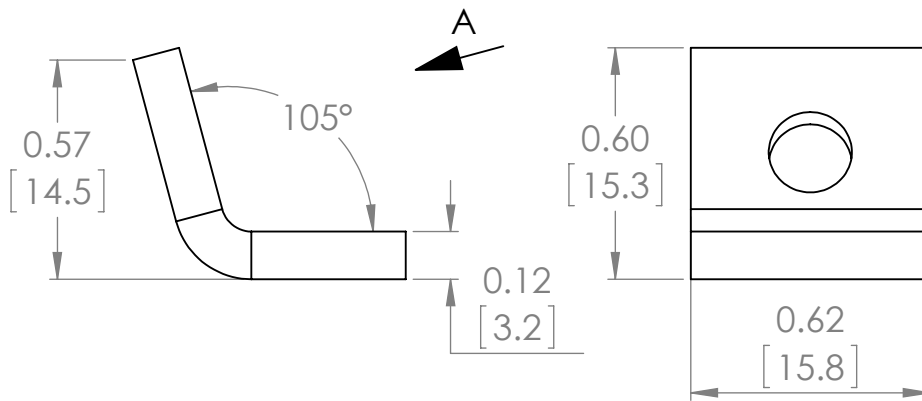
ZONE	REV.	DESCRIPTION	DATE	APPROVED
------	------	-------------	------	----------



ISO VIEW



VIEW A
SCALE 2 : 1



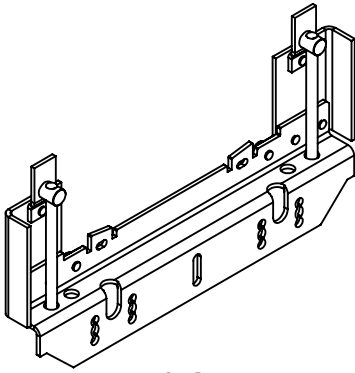
WWW.BRAHELECTRIC.COM, 855-355-2724

*NOTE: BRAH ELECTRIC DIRECT REPLACEMENT CONVERSION KIT FOR GENERAL ELECTRIC, ARMOR CLAD SERIES, TYPE SBAC, 600V MAX, WITH GROUND, FOR USE WITH 110A-250A RATED BUS PLUGS

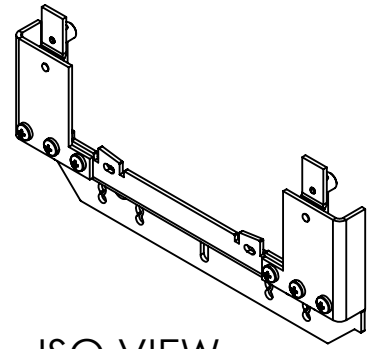
<p>THIRD ANGLE PROJECTION</p>	<p>UNLESS OTHERWISE NOTED</p> <p>ALL DIMENSIONS ARE IN INCHES METRIC UNITS ARE DISPLAYED BENEATH IN [MM.]</p>	
	<p>PROPRIETARY AND CONFIDENTIAL</p> <p>THE INFORMATION CONTAINED IN THIS DRAWING IS THE SOLE PROPERTY OF BRAH ELECTRIC. ANY REPRODUCTION IN PART OR AS A WHOLE WITHOUT THE WRITTEN PERMISSION OF BRAH ELECTRIC IS PROHIBITED.</p>	
<p>MATERIAL</p>	<p>FINISH</p> <p>N/A</p>	<p>SIZE A DWG. NO. SBAC4G REV. A</p>
<p>DO NOT SCALE DRAWING</p>	<p>SCALE: 1:4</p>	<p>WEIGHT: 3.2 LBS SHEET 2 OF 5</p>

REVISIONS

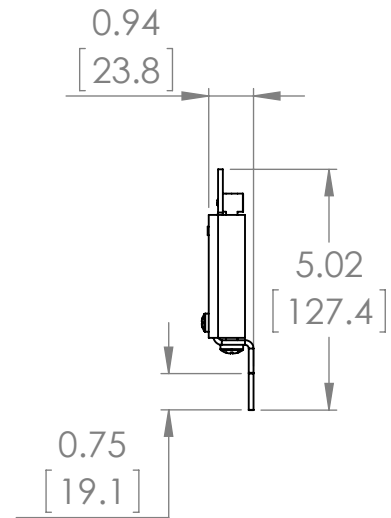
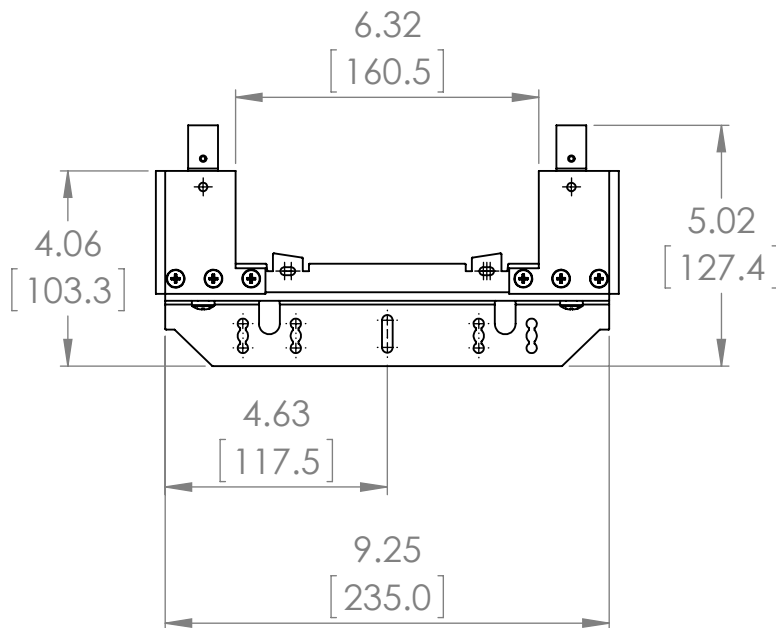
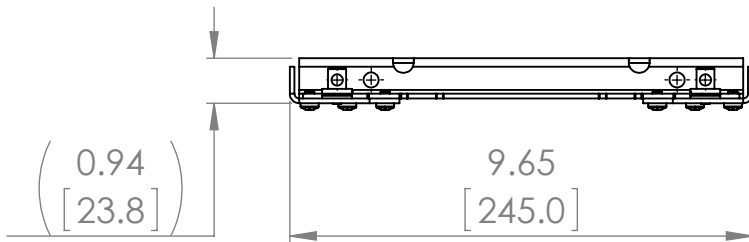
ZONE	REV.	DESCRIPTION	DATE	APPROVED
------	------	-------------	------	----------



ISO VIEW



ISO VIEW



WWW.BRAHELECTRIC.COM, 855-355-2724

*NOTE: BRAH ELECTRIC DIRECT REPLACEMENT CONVERSION KIT FOR GENERAL ELECTRIC, ARMOR CLAD SERIES, TYPE SBAC, 600V MAX, WITH GROUND, FOR USE WITH 110A-250A RATED BUS PLUGS

THIRD ANGLE PROJECTION

PROPRIETARY AND CONFIDENTIAL

THE INFORMATION CONTAINED IN THIS DRAWING IS THE SOLE PROPERTY OF BRAH ELECTRIC. ANY REPRODUCTION IN PART OR AS A WHOLE WITHOUT THE WRITTEN PERMISSION OF BRAH ELECTRIC IS PROHIBITED.

UNLESS OTHERWISE NOTED
ALL DIMENSIONS ARE IN INCHES
METRIC UNITS ARE DISPLAYED
BENEATH IN [MM.]

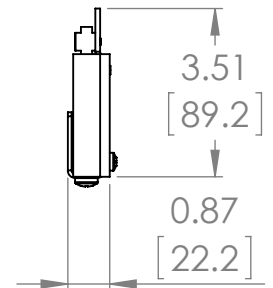
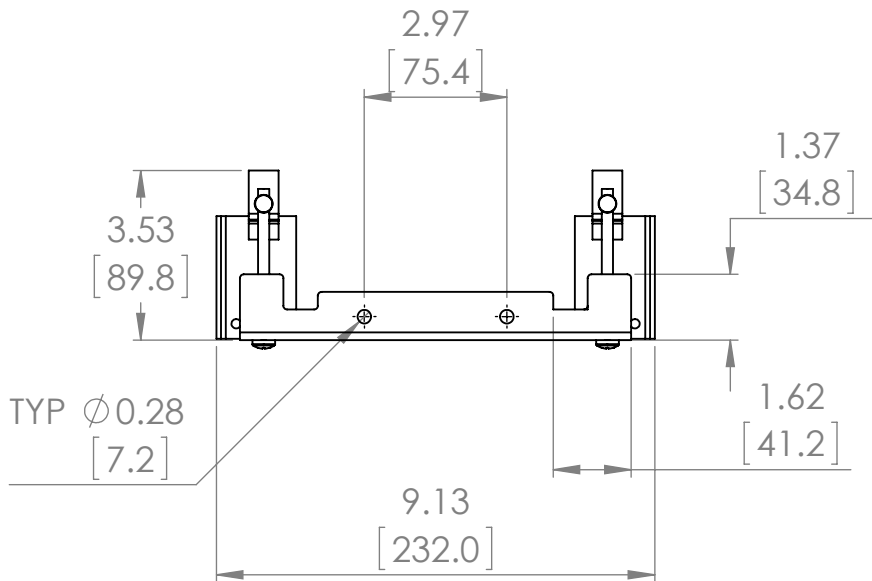
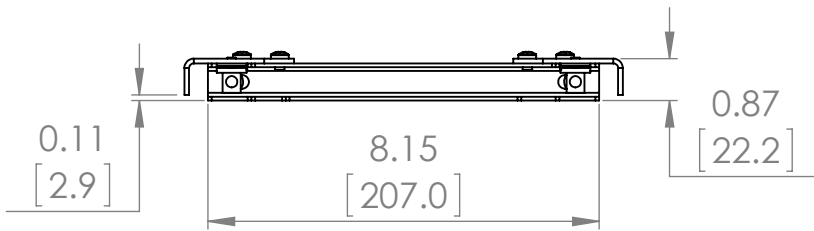
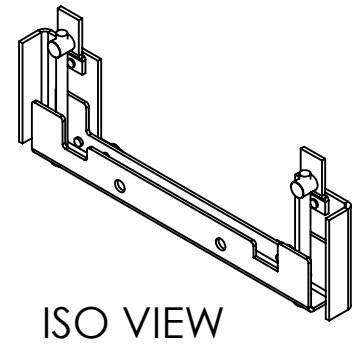
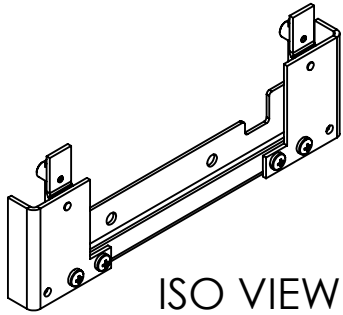
MATERIAL	
FINISH	N/A
DO NOT SCALE DRAWING	

NEUTRAL KITS

SIZE A	DWG. NO. SBAC4G	REV. A
SCALE: 1:4	WEIGHT: 3.2 LBS	SHEET 3 OF 5

REVISIONS

ZONE	REV.	DESCRIPTION	DATE	APPROVED
------	------	-------------	------	----------



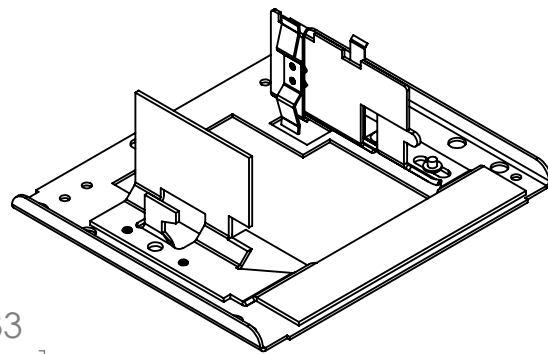
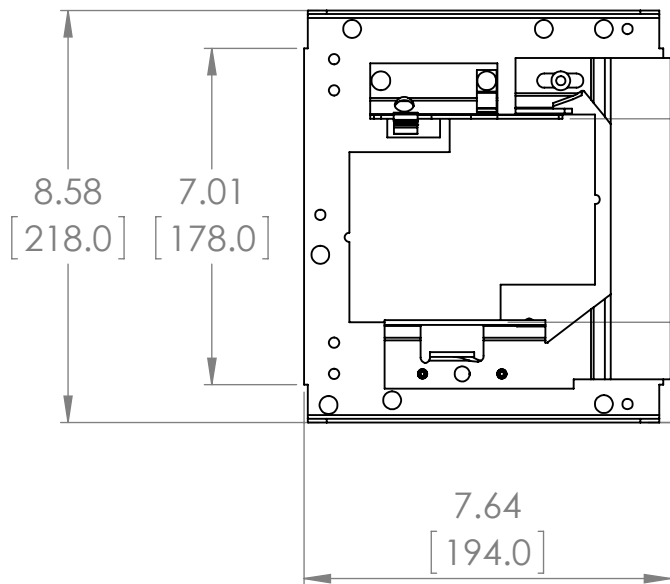
WWW.BRAHELECTRIC.COM, 855-355-2724

*NOTE: BRAH ELECTRIC DIRECT REPLACEMENT CONVERSION KIT FOR GENERAL ELECTRIC, ARMOR CLAD SERIES, TYPE SBAC, 600V MAX, WITH GROUND, FOR USE WITH 110A-250A RATED BUS PLUGS

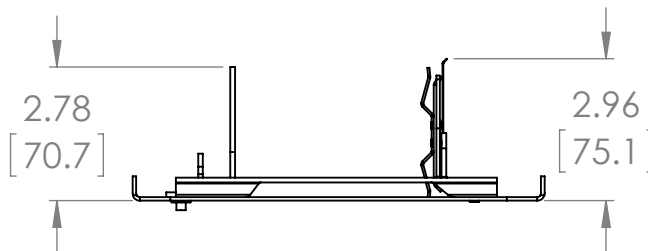
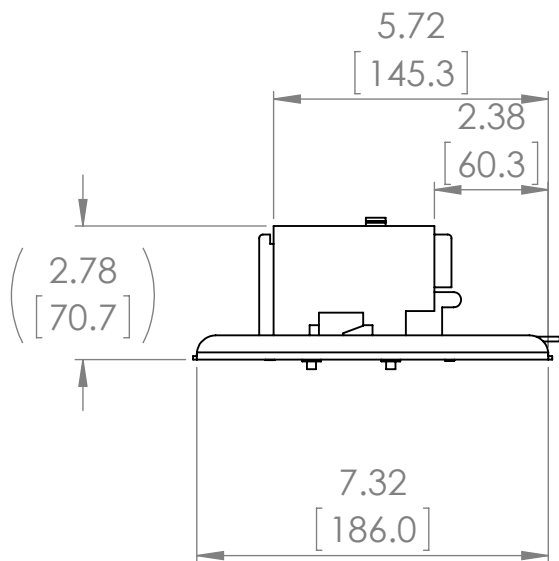
<p>THIRD ANGLE PROJECTION</p>	<p>UNLESS OTHERWISE NOTED ALL DIMENSIONS ARE IN INCHES METRIC UNITS ARE DISPLAYED BENEATH IN [MM.]</p>	<p>NEUTRAL KITS</p>		
	<p>PROPRIETARY AND CONFIDENTIAL THE INFORMATION CONTAINED IN THIS DRAWING IS THE SOLE PROPERTY OF BRAH ELECTRIC. ANY REPRODUCTION IN PART OR AS A WHOLE WITHOUT THE WRITTEN PERMISSION OF BRAH ELECTRIC IS PROHIBITED.</p>			<p>MATERIAL</p>
	<p>FINISH N/A</p>	<p>SCALE: 1:4</p>	<p>WEIGHT: 3.2 LBS</p>	<p>SHEET 4 OF 5</p>
	<p>DO NOT SCALE DRAWING</p>			

REVISIONS

ZONE	REV.	DESCRIPTION	DATE	APPROVED
------	------	-------------	------	----------

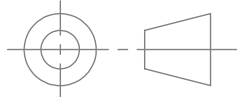



ISO VIEW



WWW.BRAHELECTRIC.COM, 855-355-2724

*NOTE: BRAH ELECTRIC DIRECT REPLACEMENT CONVERSION KIT FOR GENERAL ELECTRIC, ARMOR CLAD SERIES, TYPE SBAC, 600V MAX, WITH GROUND, FOR USE WITH 110A-250A RATED BUS PLUGS

 <p>THIRD ANGLE PROJECTION</p>	<p>UNLESS OTHERWISE NOTED ALL DIMENSIONS ARE IN INCHES METRIC UNITS ARE DISPLAYED BENEATH IN [MM.]</p>				
	<p>PROPRIETARY AND CONFIDENTIAL THE INFORMATION CONTAINED IN THIS DRAWING IS THE SOLE PROPERTY OF BRAH ELECTRIC. ANY REPRODUCTION IN PART OR AS A WHOLE WITHOUT THE WRITTEN PERMISSION OF BRAH ELECTRIC IS PROHIBITED.</p>				<p>NEUTRAL KITS</p>
<p>MATERIAL</p>	<p>FINISH</p>	<p>DO NOT SCALE DRAWING</p>	<p>SIZE A</p>	<p>DWG. NO. SBAC4G</p>	<p>REV. A</p>
			<p>SCALE: 1:4</p>	<p>WEIGHT: 3.2 LBS</p>	<p>SHEET 5 OF 5</p>