



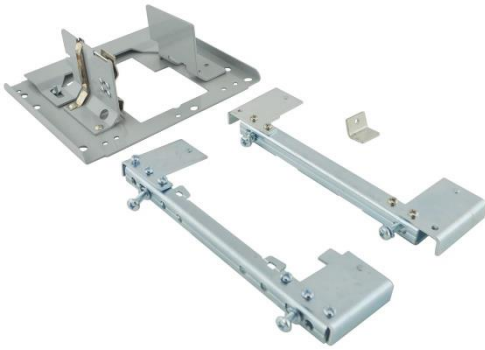
CONTACT US @ 855-355-2724

E-Mail: [Sales@brahelectric.com](mailto:Sales@brahelectric.com)

[www.Brahelectric.com](http://www.Brahelectric.com)

## PRODUCT DATA SHEET

---



### BUS PLUGS

Picture is for reference only,  
Actual Kit may vary slightly

### **PART NUMBER- AC5:**

BRAH Electric, direct replacement, aftermarket conversion kit for GE Armor Clad Series bus plugs, the kit assembly includes all bracketry to convert bus plugs rated 300Amp - 800Amp, 600Volt max, with ground; direct replacement for OEM part numbers SBAC5G and SLAC5G and will convert SPECTRA or SPECTRA LOW-AMP style bus plugs into ARMOR CLAD style bus plugs; use with both circuit breaker & fusible style bus plugs; use this equipment with Armor-Clad bus duct and busway systems.

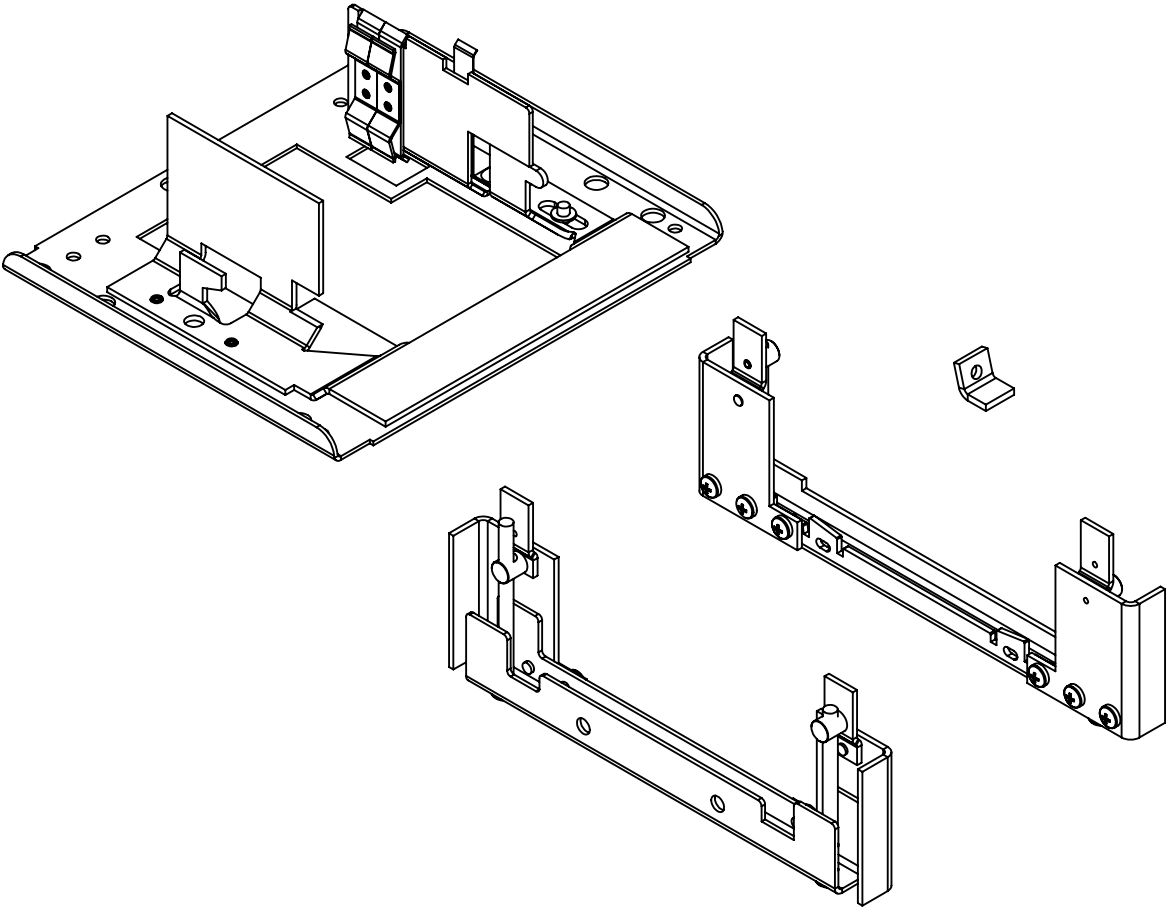
### **PRODUCT SPECIFICATIONS**

Manufacturer	BRAH Electric
Sub-Category	Conversion Kits
Family	Armor Clad
Type	AC5
Group	Bus Plug Parts
OEM Manufacturer	General Electric
Amperage Min	300
Amperage Max	800
Voltage Max	600

**Warranty:** All Products sold by BRAH Electric are guaranteed to be free of defect for a period of two years, under the condition that the product has been installed and operated properly. All items proven defective within the one year period will be replaced by BRAH Electric. In the event that we cannot provide a direct replacement, your monies will be refunded in full. We are not responsible for any consequential losses or damages outside of the defective product as well as any replacements or repairs performed by another party without our written authorization from BRAH Electric.

REVISIONS

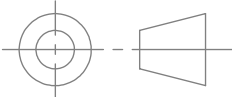

ZONE	REV.	DESCRIPTION	DATE	APPROVED
------	------	-------------	------	----------



ISO VIEW

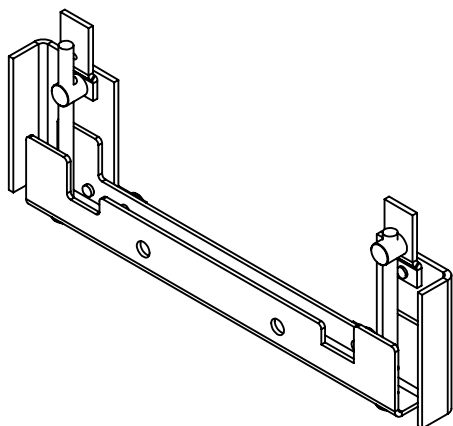
\*NOTE: BRAH ELECTRIC DIRECT REPLACEMENT CONVERSION KIT FOR GENERAL ELECTRIC, ARMOR CLAD SERIES, TYPE SBAC, 600V MAX, WITH GROUND, FOR USE WITH 300A-800A RATED BUS PLUGS

[WWW.BRAHELECTRIC.COM](http://WWW.BRAHELECTRIC.COM), 855-355-2724

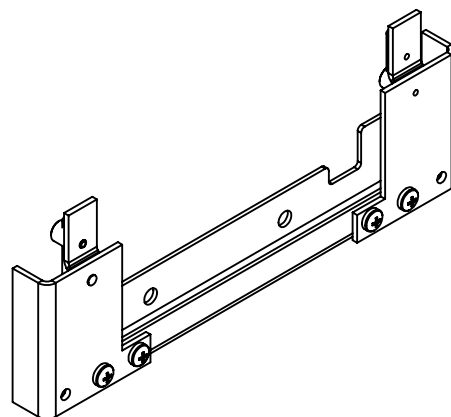
 <p>THIRD ANGLE PROJECTION</p>	<p>UNLESS OTHERWISE NOTED</p> <p>ALL DIMENSIONS ARE IN INCHES METRIC UNITS ARE DISPLAYED BENEATH IN [ MM. ]</p>			
	<p><b>PROPRIETARY AND CONFIDENTIAL</b></p> <p>THE INFORMATION CONTAINED IN THIS DRAWING IS THE SOLE PROPERTY OF BRAH ELECTRIC. ANY REPRODUCTION IN PART OR AS A WHOLE WITHOUT THE WRITTEN PERMISSION OF BRAH ELECTRIC IS PROHIBITED.</p>			<p>MATERIAL</p>
<p>FINISH</p> <p>N/A</p>	<p>DO NOT SCALE DRAWING</p>	<p>SIZE <b>A</b></p>	<p>DWG. NO. <b>SBAC5G</b></p>	<p>REV. <b>A</b></p>
		<p>SCALE: 1:3</p>	<p>WEIGHT:</p>	<p>SHEET 1 OF 5</p>

REVISIONS

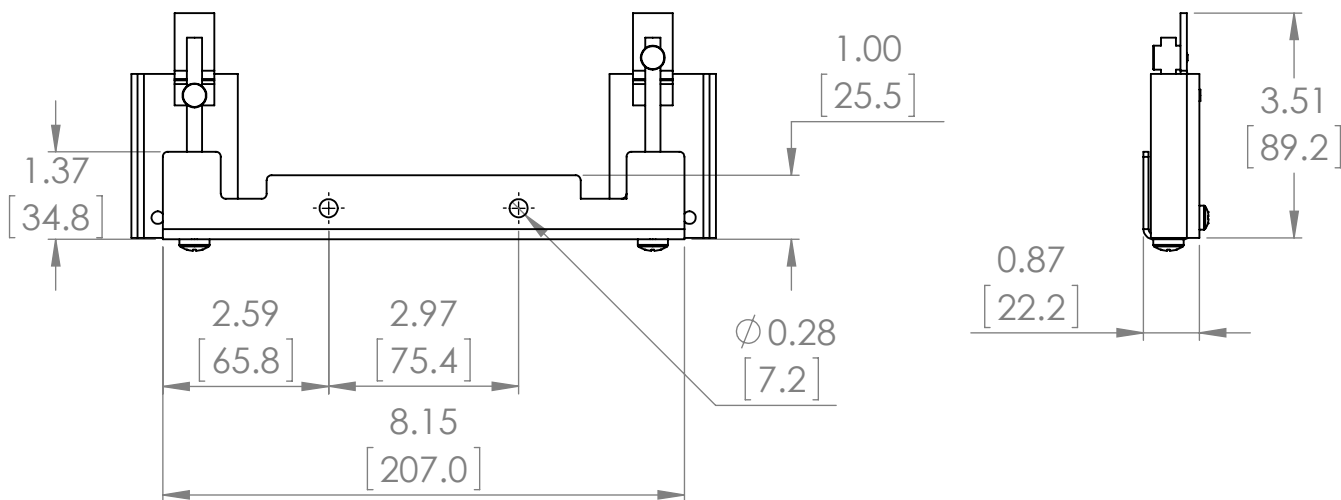
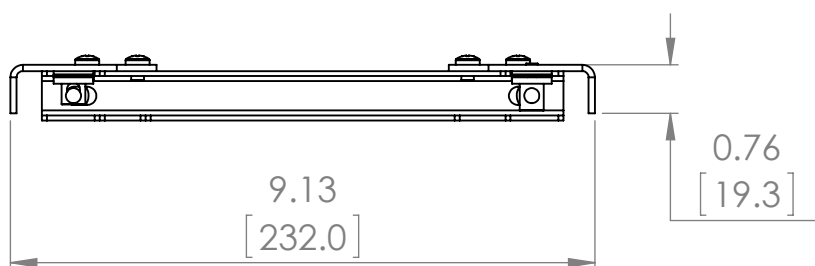
ZONE	REV.	DESCRIPTION	DATE	APPROVED
------	------	-------------	------	----------



ISO VIEW



ISO VIEW



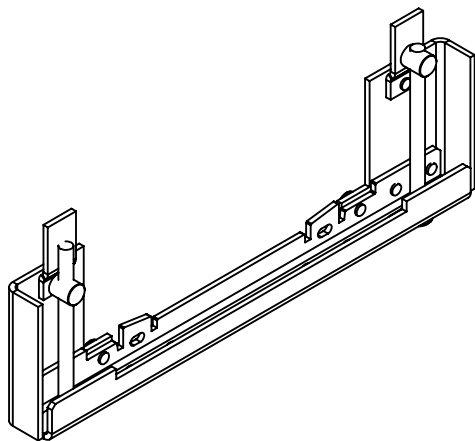
[WWW.BRAHELECTRIC.COM](http://WWW.BRAHELECTRIC.COM), 855-355-2724

\*NOTE: BRAH ELECTRIC DIRECT REPLACEMENT CONVERSION KIT FOR GENERAL ELECTRIC, ARMOR CLAD SERIES, TYPE SBAC, 600V MAX, WITH GROUND, FOR USE WITH 300A-800A RATED BUS PLUGS

<p>THIRD ANGLE PROJECTION</p>	<p>UNLESS OTHERWISE NOTED</p> <p>ALL DIMENSIONS ARE IN INCHES METRIC UNITS ARE DISPLAYED BENEATH IN [ MM. ]</p>	<p><b>NEUTRAL KITS</b></p>		
	<p>PROPRIETARY AND CONFIDENTIAL</p> <p>THE INFORMATION CONTAINED IN THIS DRAWING IS THE SOLE PROPERTY OF BRAH ELECTRIC. ANY REPRODUCTION IN PART OR AS A WHOLE WITHOUT THE WRITTEN PERMISSION OF BRAH ELECTRIC IS PROHIBITED.</p>			<p>MATERIAL</p>
	<p>FINISH</p> <p>N/A</p>	<p>SIZE</p> <p><b>A</b></p>	<p>DWG. NO.</p> <p><b>SBAC5G</b></p>	<p>REV.</p> <p><b>A</b></p>
	<p>DO NOT SCALE DRAWING</p>	<p>SCALE: 1:3</p>	<p>WEIGHT:</p>	<p>SHEET 2 OF 5</p>

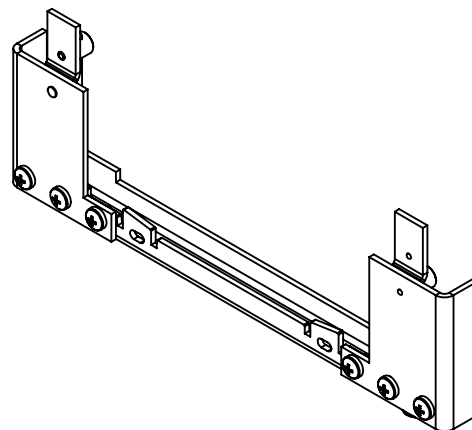
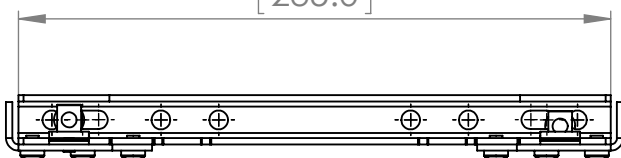
REVISIONS

ZONE	REV.	DESCRIPTION	DATE	APPROVED
------	------	-------------	------	----------

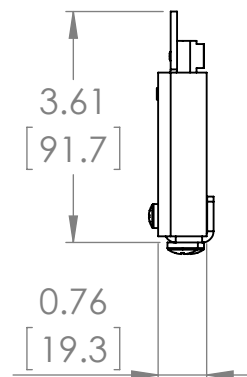
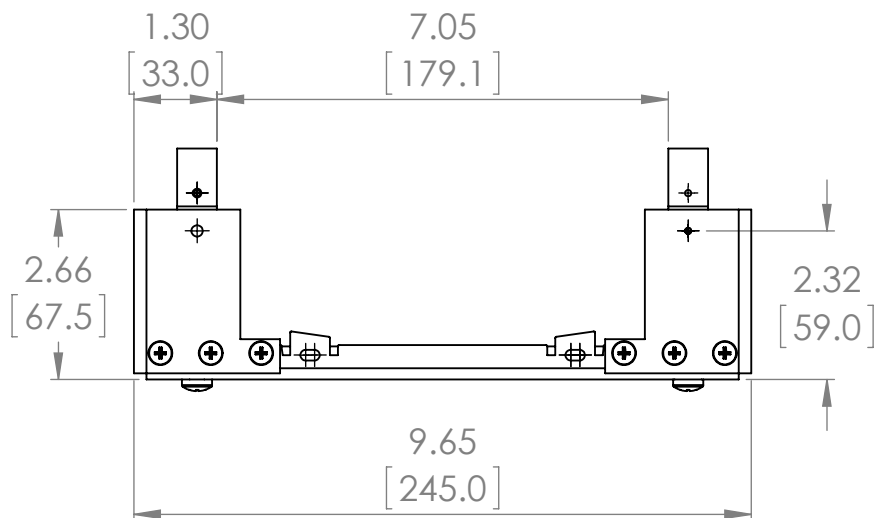


ISO VIEW

9.25  
[235.0]

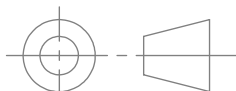


ISO VIEW



[WWW.BRAHELECTRIC.COM](http://WWW.BRAHELECTRIC.COM), 855-355-2724

**\*NOTE: BRAH ELECTRIC DIRECT REPLACEMENT CONVERSION KIT FOR GENERAL ELECTRIC, ARMOR CLAD SERIES, TYPE SBAC, 600V MAX, WITH GROUND, FOR USE WITH 300A-800A RATED BUS PLUGS**



THIRD ANGLE PROJECTION

**PROPRIETARY AND CONFIDENTIAL**

THE INFORMATION CONTAINED IN THIS DRAWING IS THE SOLE PROPERTY OF BRAH ELECTRIC. ANY REPRODUCTION IN PART OR AS A WHOLE WITHOUT THE WRITTEN PERMISSION OF BRAH ELECTRIC IS PROHIBITED.

UNLESS OTHERWISE NOTED  
ALL DIMENSIONS ARE IN INCHES  
METRIC UNITS ARE DISPLAYED  
BENEATH IN [ MM. ]

MATERIAL	
FINISH	N/A
DO NOT SCALE DRAWING	

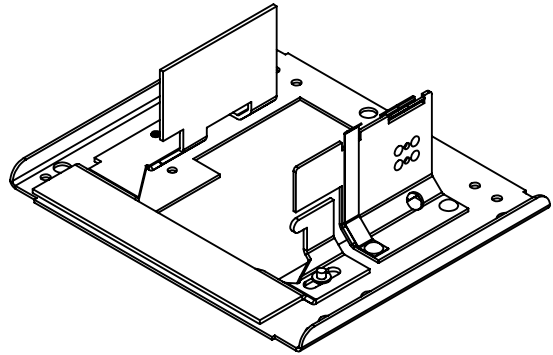


**NEUTRAL KITS**

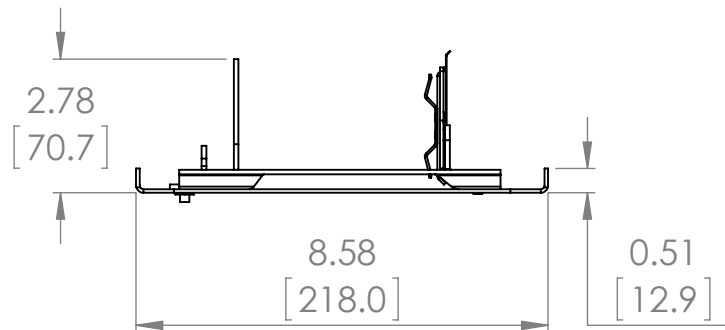
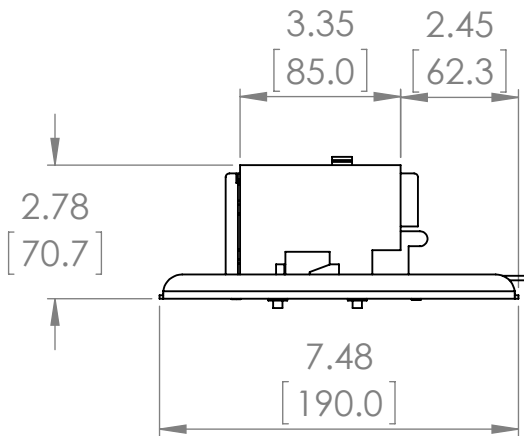
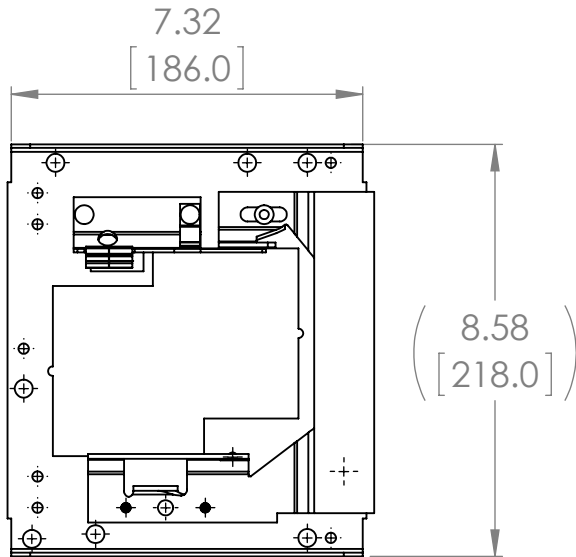
SIZE <b>A</b>	DWG. NO. <b>SBAC5G</b>	REV. <b>A</b>
SCALE: 1:3	WEIGHT:	SHEET 3 OF 5

REVISIONS

ZONE	REV.	DESCRIPTION	DATE	APPROVED
------	------	-------------	------	----------

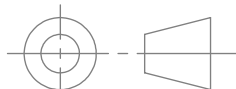


ISO VIEW



[WWW.BRAHELECTRIC.COM](http://WWW.BRAHELECTRIC.COM), 855-355-2724

\*NOTE: BRAH ELECTRIC DIRECT REPLACEMENT CONVERSION KIT FOR GENERAL ELECTRIC, ARMOR CLAD SERIES, TYPE SBAC, 600V MAX, WITH GROUND, FOR USE WITH 300A-800A RATED BUS PLUGS



THIRD ANGLE PROJECTION

**PROPRIETARY AND CONFIDENTIAL**

THE INFORMATION CONTAINED IN THIS DRAWING IS THE SOLE PROPERTY OF BRAH ELECTRIC. ANY REPRODUCTION IN PART OR AS A WHOLE WITHOUT THE WRITTEN PERMISSION OF BRAH ELECTRIC IS PROHIBITED.

UNLESS OTHERWISE NOTED

ALL DIMENSIONS ARE IN INCHES  
METRIC UNITS ARE DISPLAYED  
BENEATH IN [ MM. ]

MATERIAL

FINISH

N/A

DO NOT SCALE DRAWING



NEUTRAL KITS

SIZE DWG. NO.  
**A**

SBAC5G

REV.  
**A**

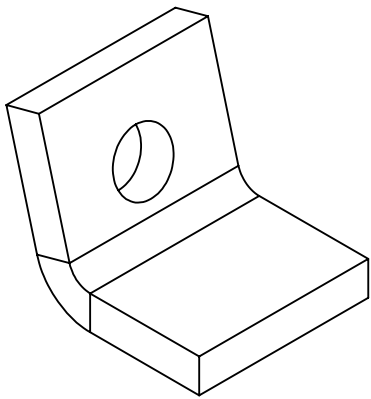
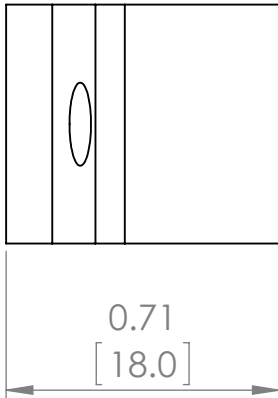
SCALE: 1:4

WEIGHT:

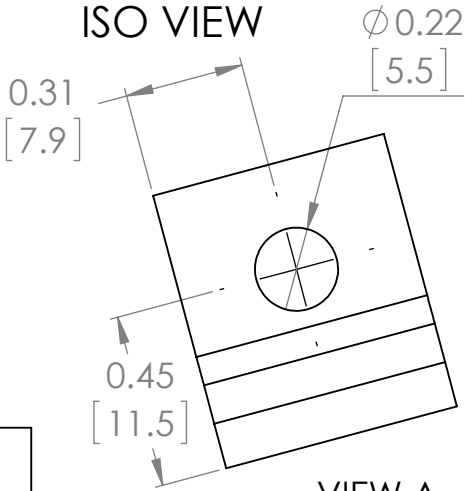
SHEET 4 OF 5

REVISIONS

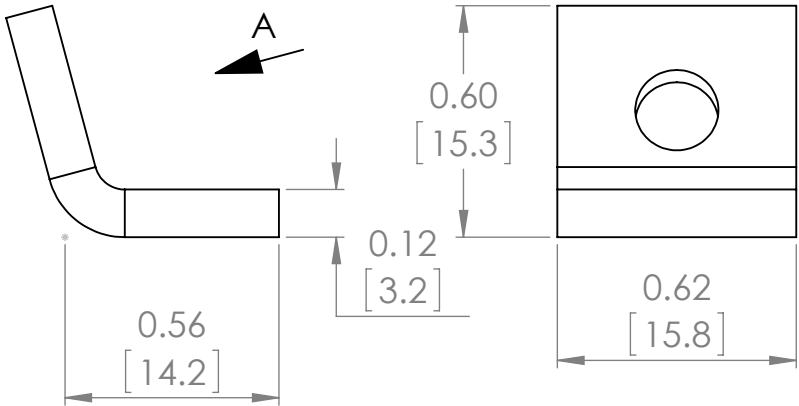
ZONE	REV.	DESCRIPTION	DATE	APPROVED
------	------	-------------	------	----------



ISO VIEW



VIEW A



[WWW.BRAHELECTRIC.COM](http://WWW.BRAHELECTRIC.COM), 855-355-2724

\*NOTE: BRAH ELECTRIC DIRECT REPLACEMENT CONVERSION KIT FOR GENERAL ELECTRIC, ARMOR CLAD SERIES, TYPE SBAC, 600V MAX, WITH GROUND, FOR USE WITH 300A-800A RATED BUS PLUGS

<p>THIRD ANGLE PROJECTION</p>	<p>UNLESS OTHERWISE NOTED ALL DIMENSIONS ARE IN INCHES METRIC UNITS ARE DISPLAYED BENEATH IN [ MM. ]</p>		
	<p><b>PROPRIETARY AND CONFIDENTIAL</b> THE INFORMATION CONTAINED IN THIS DRAWING IS THE SOLE PROPERTY OF BRAH ELECTRIC. ANY REPRODUCTION IN PART OR AS A WHOLE WITHOUT THE WRITTEN PERMISSION OF BRAH ELECTRIC IS PROHIBITED.</p>		
<p>FINISH</p>	<p>N/A</p>	<p>SIZE <b>A</b> DWG. NO. <b>SBAC5G</b> REV. <b>A</b></p>	<p>SCALE: 2:1 WEIGHT: SHEET 5 OF 5</p>
<p>DO NOT SCALE DRAWING</p>			