



CONTACT US @ 855-355-2724

E-Mail: [Sales@brahelectric.com](mailto:Sales@brahelectric.com)

[www.Brahelectric.com](http://www.Brahelectric.com)

## PRODUCT DATA SHEET

---



**PART NUMBER – ACSBSLN1:** BRAH Electric, aftermarket direct replacement neutral stab, to be used with neutral assembly kit for four wire applications, suitable for use with General Electric Armor Clad, Spectra Series and Spectra Low-Amp Series bus plugs, 100A 600V maximum per stab, order quantity two for 200A applications

### **PRODUCT SPECIFICATIONS**

Manufacturer	BRAH Electric
Sub-Category	BUS Plug Parts
Family	BRAH-Bus Plugs
Type	NEUT
Group	Neutrals
Type For	AC, SB, SL

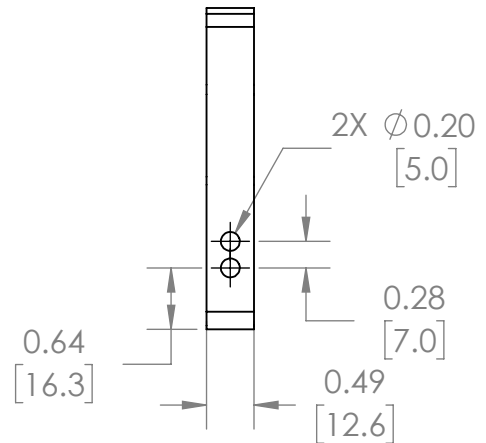
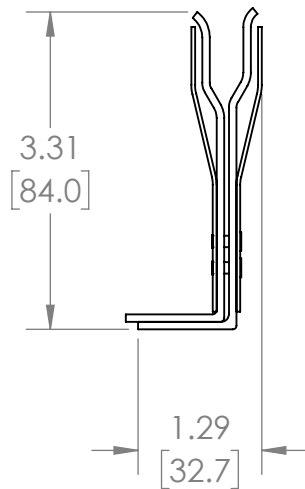
Bus Plug Accessories  
PART NO. ACSBSLN1

**Warranty:** All Products sold by BRAH Electric are guaranteed to be free of defect for a period of one year, under the condition that the product has been installed and operated properly. All items proven defective within the one year period will be replaced by BRAH Electric. In the event that we cannot provide a direct replacement, your monies will be refunded in full. We are not responsible for any consequential losses or damages outside of the defective product as well as any replacements or repairs performed by another party without our written authorization from BRAH Electric.

REVISIONS				
ZONE	REV.	DESCRIPTION	DATE	APPROVED

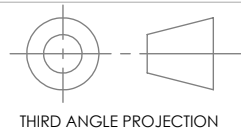


ISO VIEW



[WWW.BRAHELECTRIC.COM](http://WWW.BRAHELECTRIC.COM), 855-355-2724

\*NOTE: BRAH ELECTRIC BUS PLUG ACCESSORIES ACSBSLN1, SUITABLE FOR USE WITH GENERAL ELECTRIC ARMOR CLAD, SPECTRA SERIES AND SPECTRA LOW-AMP SERIES BUS PLUGS, 100A 600V



**PROPRIETARY AND CONFIDENTIAL**  
THE INFORMATION CONTAINED IN THIS DRAWING IS THE SOLE PROPERTY OF BRAH ELECTRIC. ANY REPRODUCTION IN PART OR AS A WHOLE WITHOUT THE WRITTEN PERMISSION OF BRAH ELECTRIC IS PROHIBITED.

UNLESS OTHERWISE NOTED  
ALL DIMENSIONS ARE IN INCHES  
METRIC UNITS ARE DISPLAYED  
BENEATH IN [ MM. ]

MATERIAL  
MOLDED PLASTIC CASE  
FINISH  
N/A  
DO NOT SCALE DRAWING



**BUS PLUG ACCESSORIES**

SIZE <b>A</b>	DWG. NO. ACSBSLN1	REV. <b>A</b>
SCALE: 1:1	WEIGHT: 3.2 LBS	SHEET 1 OF 1