



CONTACT US @ 855-355-2724
 E-Mail: Sales@brahelectric.com
www.Brahelectric.com

PRODUCT DATA SHEET



Contact kits
 Picture is for reference only,
 Actual Kit may vary slightly

PART NUMBER-B373B331G04:

BRAH Electric, Direct replacement aftermarket conversion kit for Westinghouse 4 pole contact kit, rated for 18 amp, 600 volt max, suitable for NEMA size 0 motor starters and contactors, suitable with Westinghouse A200 Series A200, A201, A210, A211 motor starters contactors, complete assembly kit includes all contacts and related mounting screws and hardware, direct substitute for Westinghouse OEM 373B331G04

Contact kit Amperage selection chart B3RT19XX-6A

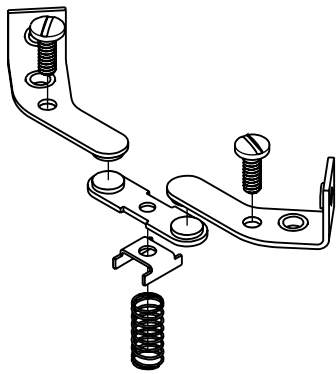
B373B331G04	18 A
B373B331G09	18 A
B373B331G12	27 A
B373B331G18	45 A

PRODUCT SPECIFICATIONS

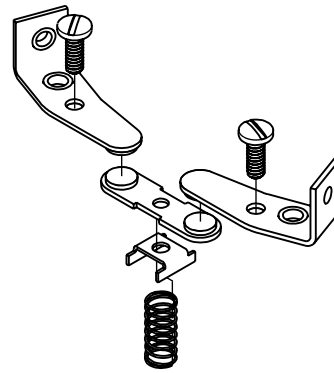
Manufacturer	BRAH Electric
Sub-Category	Contact Kit
Family	A200 Series
Type	373, B373
Suitable For	A200, A201, A210, A211
Voltage	600
Amperage	18
Poles	4

Warranty: All Products sold by BRAH Electric are guaranteed to be free of defect for a period of two years, under the condition that the product has been installed and operated properly. All items proven defective within the one year period will be replaced by BRAH Electric. In the event that we cannot provide a direct replacement, your monies will be refunded in full. We are not responsible for any consequential losses or damages outside of the defective product as well as any replacements or repairs performed by another party without our written authorization from BRAH Electric.

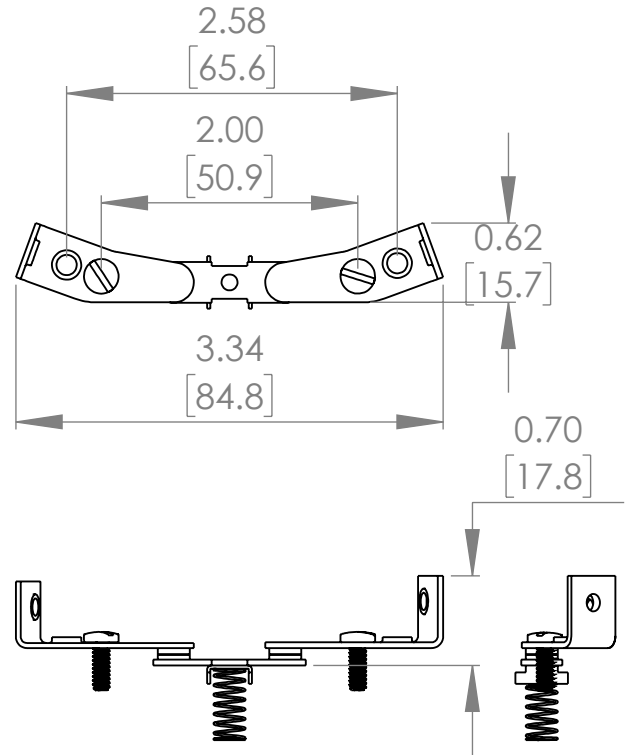
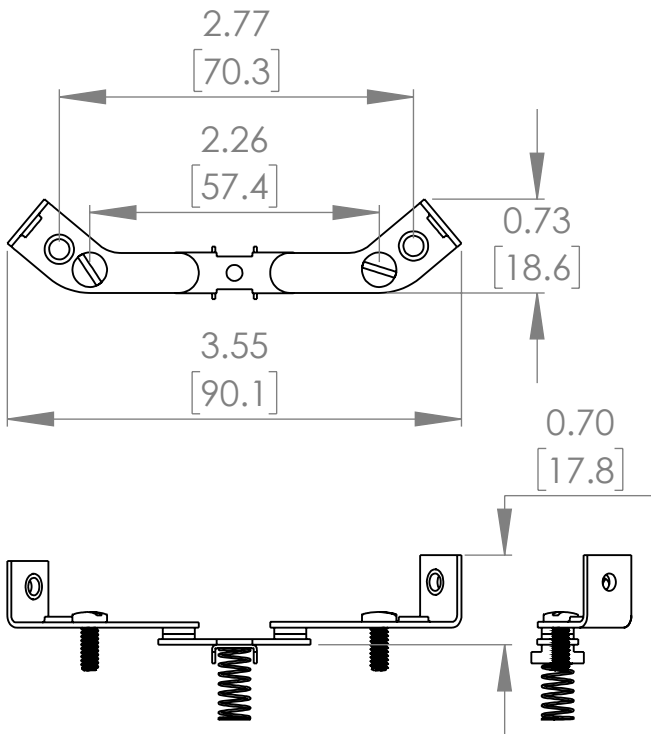
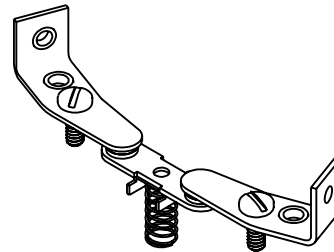
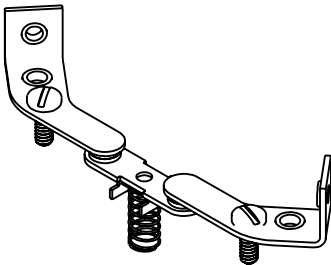
REVISIONS				
ZONE	REV.	DESCRIPTION	DATE	APPROVED



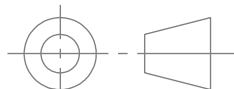
EXPLODED VIEW



EXPLODED VIEW



* NOTE: BRAH Electric, direct replacement contact kit for Westinghouse, A 200 Series, 373, 4 pole kit, suitable for use with A200, A201, A210, A211 magnetic contactors & motor starters, NEMA size 0, rated for 18A 600V maximum



THIRD ANGLE PROJECTION

PROPRIETARY AND CONFIDENTIAL

THE INFORMATION CONTAINED IN THIS DRAWING IS THE SOLE PROPERTY OF BRAH ELECTRIC. ANY REPRODUCTION IN PART OR AS A WHOLE WITHOUT THE WRITTEN PERMISSION OF BRAH ELECTRIC IS PROHIBITED.

UNLESS OTHERWISE NOTED
ALL DIMENSIONS ARE IN INCHES
METRIC UNITS ARE DISPLAYED
BENEATH IN [MM.]

MATERIAL
N/A
FINISH
N/A
DO NOT SCALE DRAWING



CONTACT KIT

SIZE A	DWG. NO. B373B331G04-A200	REV. A
SCALE: 1:1.5		WEIGHT: 3.2 LBS B373B331G04-SHEET 1 OF 1