



CONTACT US @ 855-355-2724

E-Mail: Sales@brahelectric.com

www.Brahelectric.com

PRODUCT DATA SHEET



MAGNETIC CONTACTOR
Picture is for reference only,
Actual Kit may vary slightly

Voltage Selection Chart B3RT1017-XXXX

B3RT1017	120VAC
B3RT1017-1AB01	24VAC
B3RT1017-1AK61	120VAC
B3RT1017-1AP61	240VAC
B3RT1017-1AV61	480VAC

PART NUMBER– B3RT1017:

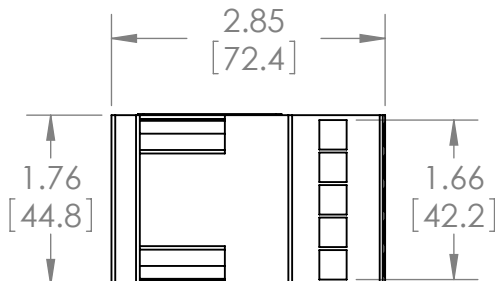
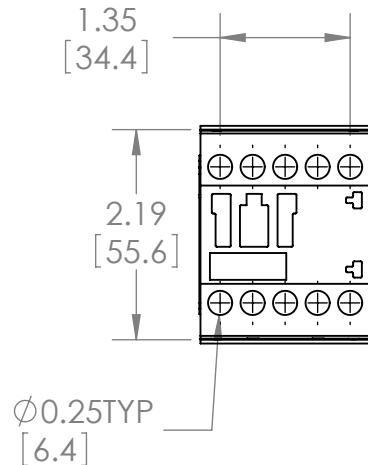
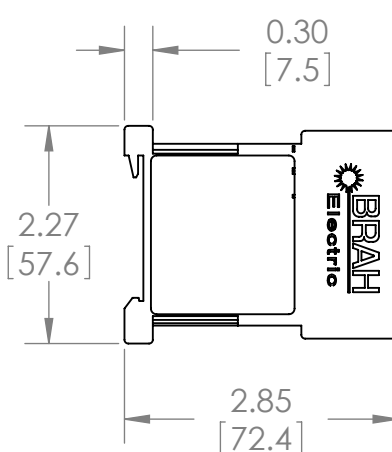
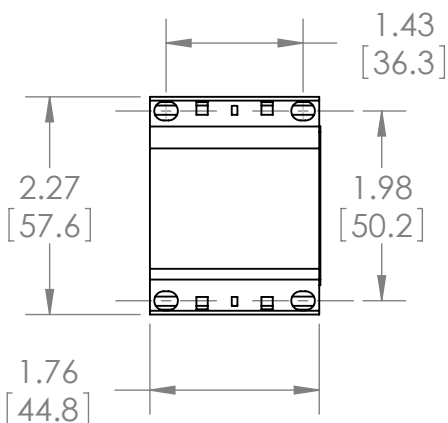
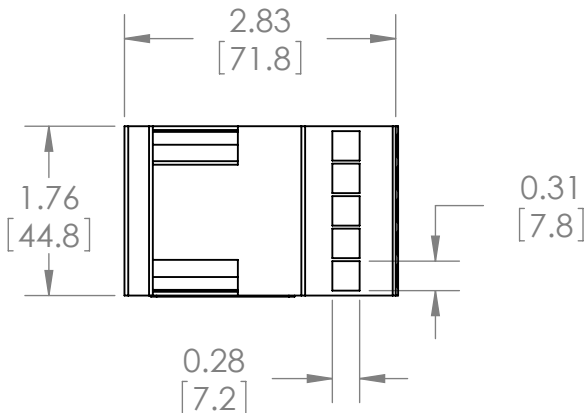
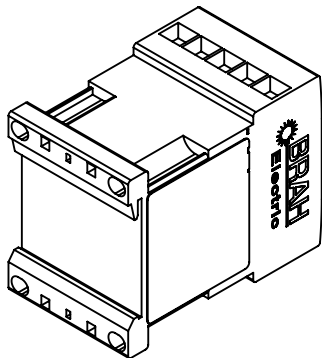
BRAH Electric, aftermarket direct replacement contactors for Siemens 3RT1017, Sirius line, type 3RT, 3P, 3PH, 12A, 600V, 3HP @ 230V, 7.5HP @ 460V, 10HP @ 575V, complete with 120V AC coil, 1 N/O auxiliary contact, AC magnetic contactor, suitable for use with 3RT series motor control systems

PRODUCT SPECIFICATIONS

Manufacturer	BRAH Electric
Sub-Category	Contactors
Phase	3
Poles	3
Voltage Max	600
Amperage Max	12
Coil Voltage Min	120
Coil Voltage Max	120
Min HP.Rating	3(HP) @230V
Max HP.Rating	10(HP) @575V

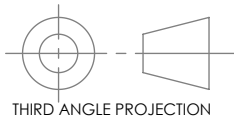
Warranty: All Products sold by BRAH Electric are guaranteed to be free of defect for a period of two years, under the condition that the product has been installed and operated properly. All items proven defective within the one year period will be replaced by BRAH Electric. In the event that we cannot provide a direct replacement, your monies will be refunded in full. We are not responsible for any consequential losses or damages outside of the defective product as well as any replacements or repairs performed by another party without our written authorization from BRAH Electric.

REVISIONS				
ZONE	REV.	DESCRIPTION	DATE	APPROVED



WWW.BRAHELECTRIC.COM, 855-355-2724

*NOTE: BRAH ELECTRIC CONTACTOR B3RT1017 IS AN AFTERMARKET DIRECT REPLACEMENT FOR TELEMECANIQUE 3RT1017, 3RT SERIES. SUITABLE FOR USE WITH 3RT SERIES MOTOR CONTROL SYSTEMS



PROPRIETARY AND CONFIDENTIAL
 THE INFORMATION CONTAINED IN THIS DRAWING IS THE SOLE PROPERTY OF BRAH ELECTRIC. ANY REPRODUCTION IN PART OR AS A WHOLE WITHOUT THE WRITTEN PERMISSION OF BRAH ELECTRIC IS PROHIBITED.

UNLESS OTHERWISE NOTED
 ALL DIMENSIONS ARE IN INCHES
 METRIC UNITS ARE DISPLAYED
 BENEATH IN [MM.]

MATERIAL
 MOLDED PLASTIC CASE

FINISH
 N/A

DO NOT SCALE DRAWING



MAGNETIC CONTACTOR

SIZE A	DWG. NO. B3RT1017	REV. A
SCALE: 1:2	WEIGHT: 3.2 LBS	SHEET 1 OF 1