

PRODUCT DATA SHEET



MAGNETIC CONTACTOR
PART NO. B3RT1024-1AP61

Voltage Selection Chart B3RT1024-XXXX

B3RT1024	120VAC
B3RT1024-1AB01	24VAC
B3RT1024-1AK61	120VAC
B3RT1024-1AP61	240VAC
B3RT1024-1AV61	480VAC

PART NUMBER – B3RT1024-1AP61: BRAH

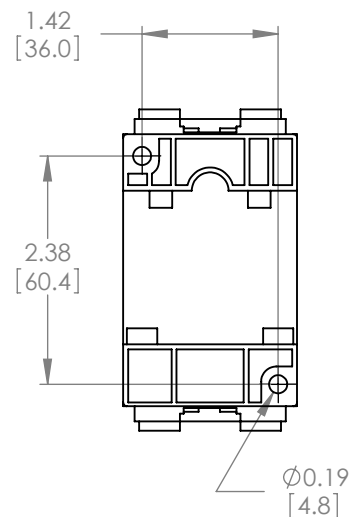
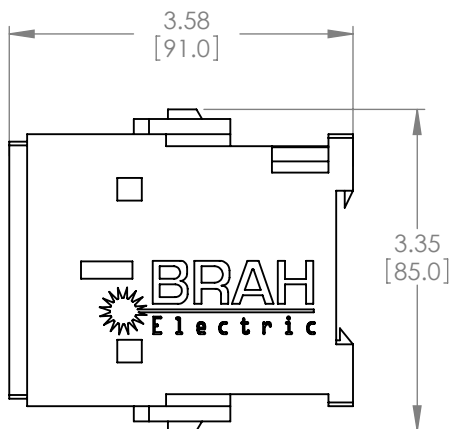
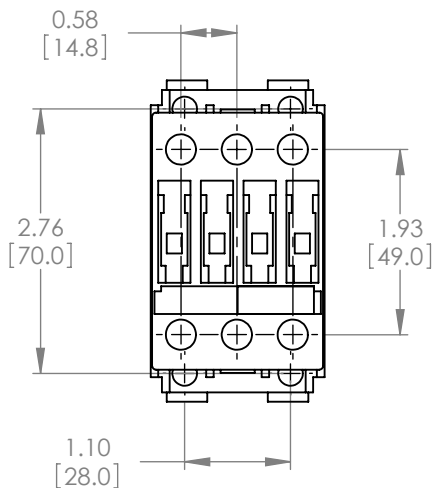
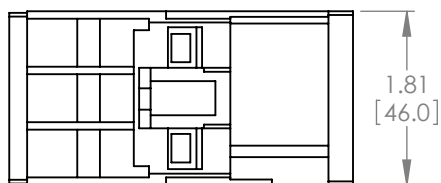
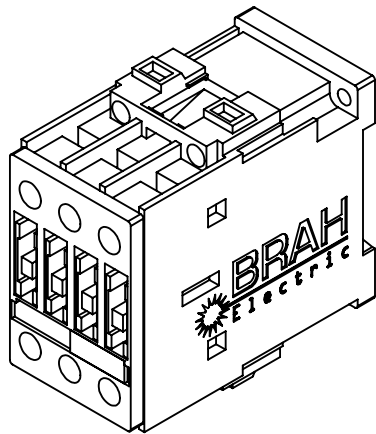
Electric, aftermarket direct replacement contactors for Siemens 3RT1024-1AP61, Sirius line, type 3RT, 3P, 3PH, 12A, 600V, 3HP @ 230V, 7.5HP @ 460V, 10HP @ 575V, complete with 240V AC coil, AC magnetic contactor, suitable for use with 3RT series motor control systems

PRODUCT SPECIFICATIONS

TYPE	VALUE (UNITS)	NOTES	COMMENTS
PHASE	3		
POLES	3		
VOLTAGE	600 (VAC)		
AMPERAGE	12 (A)		
COIL VOLTAGE MIN	240 (V)		
COIL VOLTAGE MAX	240 (V)		
MIN HP. RATING	3 (HP)	@ 230 (V)	
MAX HP RATING	10 (HP)	@ 575 (V)	

Warranty: All Products sold by BRAH Electric are guaranteed to be free of defect for a period of one year, under the condition that the product has been installed and operated properly. All items proven defective within the one year period will be replaced by BRAH Electric. In the event that we cannot provide a direct replacement, your monies will be refunded in full. We are not responsible for any consequential losses or damages outside of the defective product as well as any replacements or repairs performed by another party without our written authorization from BRAH Electric.

REVISIONS				
ZONE	REV.	DESCRIPTION	DATE	APPROVED



WWW.BRAHELECTRIC.COM, 855-355-2724

* NOTE: BRAH ELECTRIC CONTACTOR B3RT1024-1AP61 IS AN AFTERMARKET DIRECT REPLACEMENT FOR TELEMECANIQUE 3RT1024-1AP61,3RT SERIES. SUITABLE FOR USE WITH 3RT SERIES MOTOR CONTROL SYSTEMS

<p>THIRD ANGLE PROJECTION</p>	<p>UNLESS OTHERWISE NOTED</p> <p>ALL DIMENSIONS ARE IN INCHES METRIC UNITS ARE DISPLAYED BENEATH IN [MM.]</p>	<p>MAGNETIC CONTACTOR</p>
	<p>PROPRIETARY AND CONFIDENTIAL</p> <p>THE INFORMATION CONTAINED IN THIS DRAWING IS THE SOLE PROPERTY OF BRAH ELECTRIC. ANY REPRODUCTION IN PART OR AS A WHOLE WITHOUT THE WRITTEN PERMISSION OF BRAH ELECTRIC IS PROHIBITED.</p>	
<p>SIZE A DWG. NO. B3RT1024-1AP61 REV. A</p>		<p>SCALE: 1:2 WEIGHT: 3.2 LBS SHEET 1 OF 1</p>