



CONTACT US @ 855-355-2724

E-Mail: Sales@brahelectric.com

www.Brahelectric.com

PRODUCT DATA SHEET



MAGNETIC CONTACTOR

Picture is for reference only,
Actual Kit may vary slightly

Voltage Selection Chart B3RT1034-XXXX

| | |
|----------------|--------|
| B3RT1034 | 120VAC |
| B3RT1034-1AC21 | 24VAC |
| B3RT1034-1AK61 | 120VAC |
| B3RT1034-1AP61 | 240VAC |
| B3RT1034-1AV61 | 480VAC |

PART NUMBER – B3RT1034-1AP61:

BRAH Electric, aftermarket direct replacement contactors for Siemens 3RT1034-1AP61, Sirius line, type 3RT, 3P, 3PH, 32A, 600V, 10HP @ 230V, 25HP @ 460V, 30HP @ 575V, complete with 240V AC coil, AC magnetic contactor, suitable for use with 3RT series motor control systems

PRODUCT SPECIFICATIONS

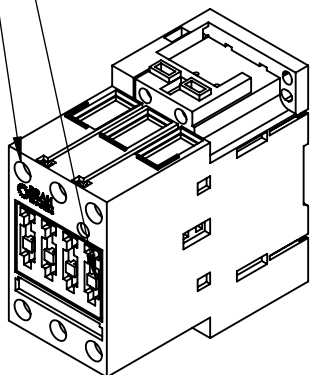
| | |
|------------------|---------------|
| Manufacturer | BRAH Electric |
| Sub-Category | Contactors |
| Phase | 3 |
| Poles | 3 |
| Voltage Max | 600 |
| Amperage Max | 32 |
| Coil Voltage Min | 240 |
| Coil Voltage Max | 240 |
| Min HP.Rating | 10(HP) @230V |
| Max HP.Rating | 30(HP) @575V |

Warranty: All Products sold by BRAH Electric are guaranteed to be free of defect for a period of two years, under the condition that the product has been installed and operated properly. All items proven defective within the one year period will be replaced by BRAH Electric. In the event that we cannot provide a direct replacement, your monies will be refunded in full. We are not responsible for any consequential losses or damages outside of the defective product as well as any replacements or repairs performed by another party without our written authorization from BRAH Electric.

| REVISIONS | | | | |
|-----------|--|-------------|------|----------|
| ZONE | | DESCRIPTION | DATE | APPROVED |

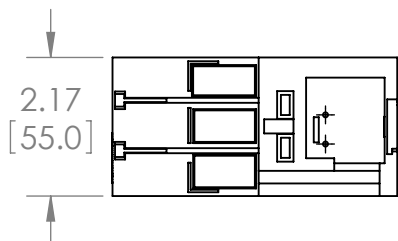
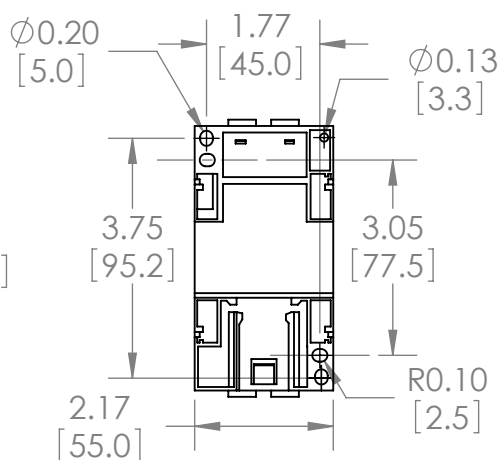
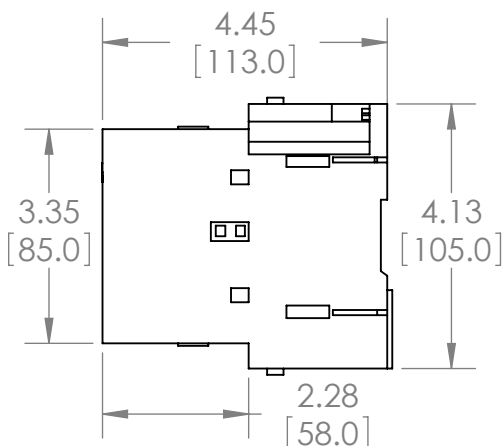
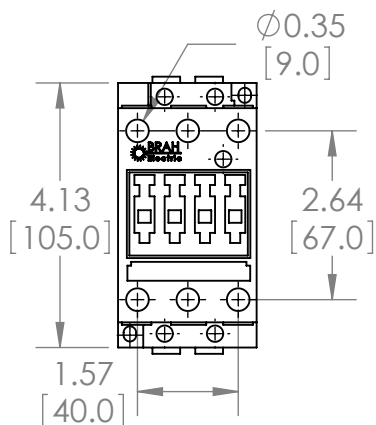
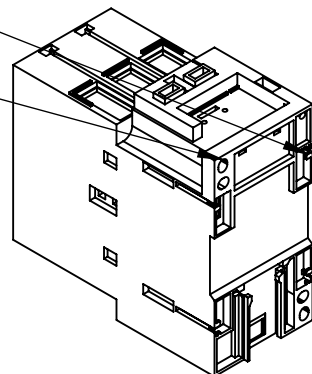
LOAD SIDE WIRE TERMINALS

STOPS FOR ATTACHING FRONT MOUNTED ACCESSORIES



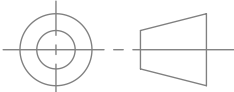

MOUNTING FIXTURES

MOUNTING HOLES



WWW.BRAHELECTRIC.COM, 855-355-2724

***NOTE: BRAH ELECTRIC CONTACTOR B3RT1034-1AP61 IS AN AFTERMARKET DIRECT REPLACEMENT FOR 3RT1034-1AP61, 3RT SERIES. SUITABLE FOR USE WITH 3RT SERIES MOTOR CONTROL SYSTEMS**

| | | |
|---|---|---|
|  THIRD ANGLE PROJECTION | UNLESS OTHERWISE NOTED ALL DIMENSIONS ARE IN INCHES METRIC UNITS ARE DISPLAYED BENEATH IN [MM.] |  |
| | PROPRIETARY AND CONFIDENTIAL THE INFORMATION CONTAINED IN THIS DRAWING IS THE SOLE PROPERTY OF BRAH ELECTRIC. ANY REPRODUCTION IN PART OR AS A WHOLE WITHOUT THE WRITTEN PERMISSION OF BRAH ELECTRIC IS PROHIBITED. | |
| MATERIAL MOLDED PLASTIC CASE | FINISH N/A | SIZE A DWG. NO. B3RT1034-1AP61 REV. A |
| DO NOT SCALE DRAWING | SCALE: 1:3 | WEIGHT: 3.2 LBS SHEET 1 OF 1 |