



CONTACT US @ 855-355-2724
 E-Mail: Sales@brahelectric.com
www.Brahelectric.com

PRODUCT DATA SHEET



MAGNETIC CONTACTOR
 Picture is for reference only,
 Actual Kit may vary slightly

Voltage Selection Chart B3RT1044-XXXX

B3RT1044	120VAC
B3RT1044-1AC21	24VAC
B3RT1044-1AK61	120VAC
B3RT1044-1AP61	240VAC
B3RT1044-1AV61	480VAC

PART NUMBER – B3RT1044-1AC21:

BRAH Electric, aftermarket direct replacement contactors for Siemens 3RT1044-1AC21, Sirius line, type 3RT, 3P, 3PH, 65A, 600V, 25HP @ 230V, 50HP @ 460V, 60HP @ 575V, complete with 24V AC coil, AC magnetic contactor, suitable for use with 3RT series motor control systems

PRODUCT SPECIFICATIONS

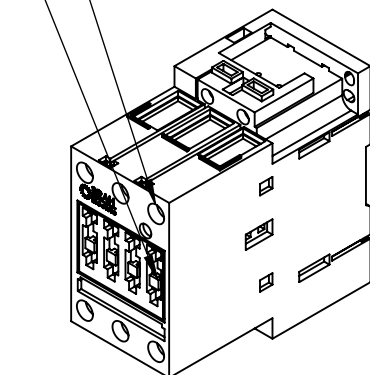
Manufacturer	BRAH Electric
Sub-Category	Contactors
Phase	3
Poles	3
Voltage Max	600
Amperage Max	65
Coil Voltage Min	24
Coil Voltage Max	24
Min HP.Rating	25(HP) @230V
Max HP.Rating	60(HP) @575V

Warranty: All Products sold by BRAH Electric are guaranteed to be free of defect for a period of two years, under the condition that the product has been installed and operated properly. All items proven defective within the one year period will be replaced by BRAH Electric. In the event that we cannot provide a direct replacement, your monies will be refunded in full. We are not responsible for any consequential losses or damages outside of the defective product as well as any replacements or repairs performed by another party without our written authorization from BRAH Electric.

REVISIONS				
ZONE		DESCRIPTION	DATE	APPROVED

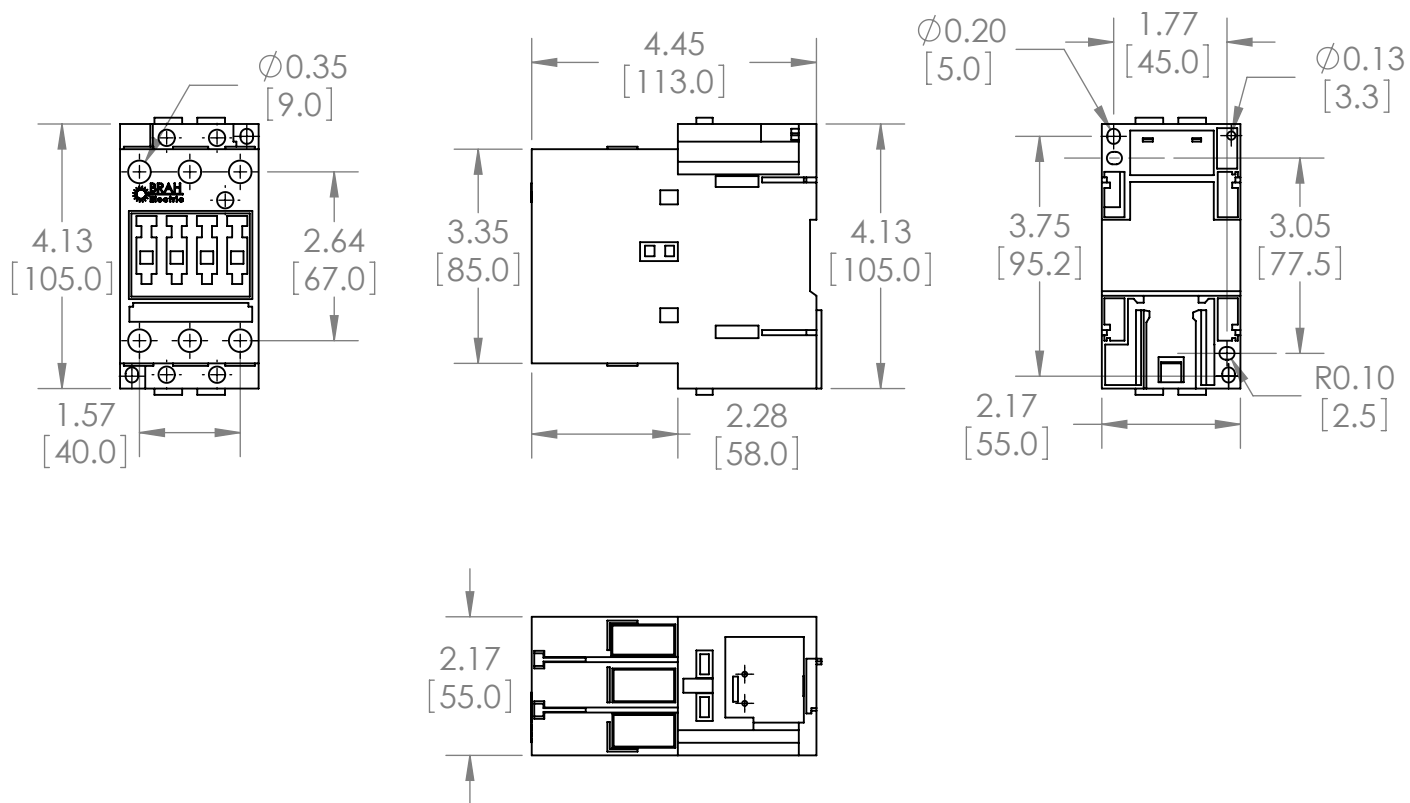
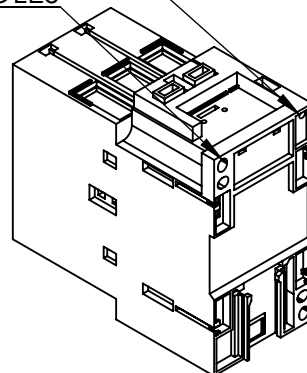
STOPS FOR ATTACHING
FRONT MOUNTED ACCESSORIES

LOAD SIDE WIRE TERMINALS



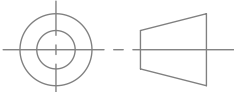

MOUNTING FIXTURES

MOUNTING HOLES



WWW.BRAHELECTRIC.COM, 855-355-2724

*NOTE: BRAH ELECTRIC CONTACTOR B3RT1044-1AC21 IS AN AFTERMARKET DIRECT REPLACEMENT FOR 3RT1044-1AC21, 3RT SERIES. SUITABLE FOR USE WITH 3RT SERIES MOTOR CONTROL SYSTEMS

 THIRD ANGLE PROJECTION	UNLESS OTHERWISE NOTED ALL DIMENSIONS ARE IN INCHES METRIC UNITS ARE DISPLAYED BENEATH IN [MM.]	
	PROPRIETARY AND CONFIDENTIAL THE INFORMATION CONTAINED IN THIS DRAWING IS THE SOLE PROPERTY OF BRAH ELECTRIC. ANY REPRODUCTION IN PART OR AS A WHOLE WITHOUT THE WRITTEN PERMISSION OF BRAH ELECTRIC IS PROHIBITED.	
DO NOT SCALE DRAWING	SIZE A DWG. NO. B3RT1044-1AC21	REV. A
SCALE: 1:3	WEIGHT: 3.2 LBS	SHEET 1 OF 1