



CONTACT US @ 855-355-2724

E-Mail: [Sales@brahelectric.com](mailto:Sales@brahelectric.com)

[www.Brahelectric.com](http://www.Brahelectric.com)

## PRODUCT DATA SHEET

---



### MAGNETIC CONTACTOR

Picture is for reference only,  
Actual Kit may vary slightly

### **PART NUMBER – B3RT1045-1AC21:**

BRAH Electric, aftermarket direct replacement contactors for Siemens 3RT1045-1AC21, Sirius line, type 3RT, 3P, 3PH, 80A, 600V, 30HP @ 230V, 60HP @ 460V, 75HP @ 575V, complete with 24V AC coil, AC magnetic contactor, suitable for use with 3RT series motor control systems

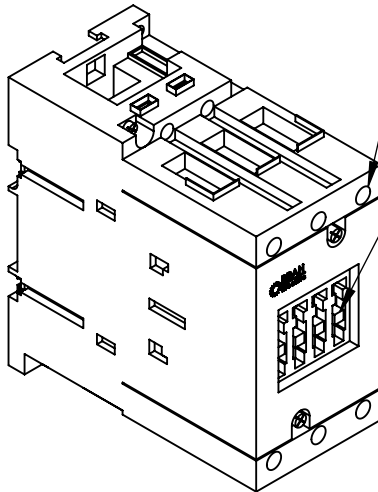
### **PRODUCT SPECIFICATIONS**

Manufacturer	BRAH Electric
Sub-Category	Contactors
Phase	3
Poles	3
Voltage Max	600
Amperage Max	80
Coil Voltage Min	24
Coil Voltage Max	24
Min HP.Rating	30(HP) @230V
Max HP.Rating	75(HP) @575V

**Warranty:** All Products sold by BRAH Electric are guaranteed to be free of defect for a period of two years, under the condition that the product has been installed and operated properly. All items proven defective within the one year period will be replaced by BRAH Electric. In the event that we cannot provide a direct replacement, your monies will be refunded in full. We are not responsible for any consequential losses or damages outside of the defective product as well as any replacements or repairs performed by another party without our written authorization from BRAH Electric.

STOPS FOR ATTACHING FRONT MOUNTED ACCESSORIES

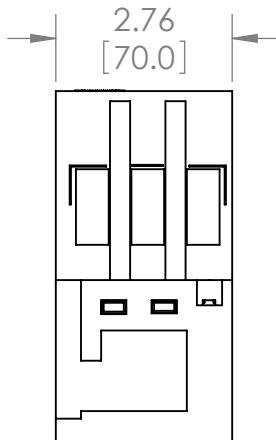
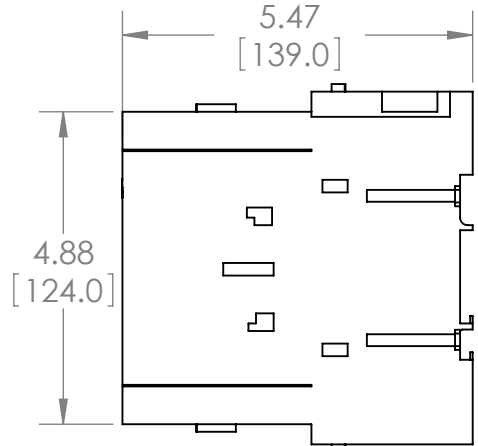
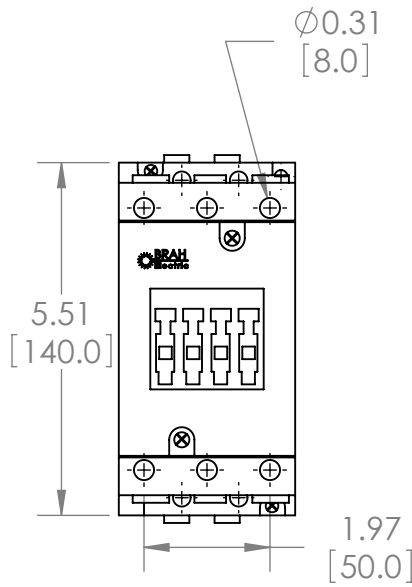
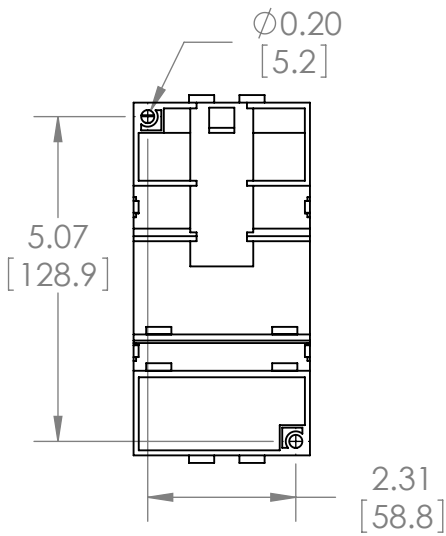
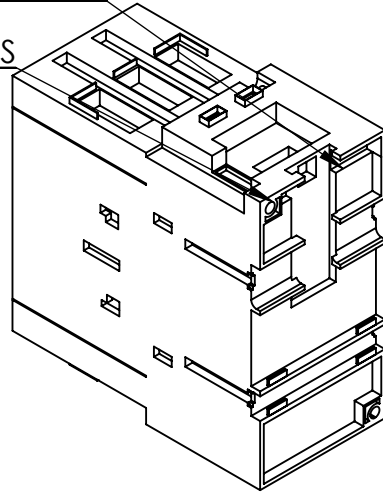
LOAD SIDE WIRE TERMINALS



REVISIONS				
ZONE	REV.	DESCRIPTION	DATE	APPROVED

MOUNTING FIXTURES

MOUNTING HOLES



[WWW.BRAHELECTRIC.COM](http://WWW.BRAHELECTRIC.COM), 855-355-2724

\*NOTE: BRAH ELECTRIC CONTACTOR B3RT1045-1AC21 IS AN AFTERMARKET DIRECT REPLACEMENT FOR 3RT1045-1AC21, 3RT SERIES. SUITABLE FOR USE WITH 3RT SERIES MOTOR CONTROL SYSTEMS

<p>THIRD ANGLE PROJECTION</p>	<p>UNLESS OTHERWISE NOTED</p> <p>ALL DIMENSIONS ARE IN INCHES METRIC UNITS ARE DISPLAYED BENEATH IN [ MM. ]</p>	
	<p><b>PROPRIETARY AND CONFIDENTIAL</b></p> <p>THE INFORMATION CONTAINED IN THIS DRAWING IS THE SOLE PROPERTY OF BRAH ELECTRIC. ANY REPRODUCTION IN PART OR AS A WHOLE WITHOUT THE WRITTEN PERMISSION OF BRAH ELECTRIC IS PROHIBITED.</p>	
<p>SIZE <b>A</b> DWG. NO. <b>B3RT1045-1AC21</b> REV. <b>A</b></p>		<p>SCALE: 1:3 WEIGHT: 3.2 LBS SHEET 1 OF 1</p>