



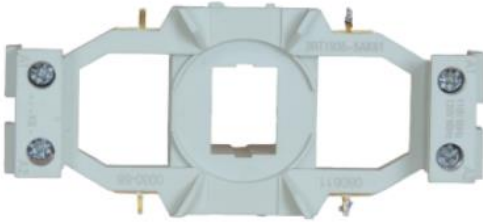
CONTACT US @ 855-355-2724

E-Mail: [Sales@brahelectric.com](mailto:Sales@brahelectric.com)

[www.Brahelectric.com](http://www.Brahelectric.com)

## PRODUCT DATA SHEET

---



coils

Picture is for reference only,  
Actual Kit may vary slightly

### **PART NUMBER – B3RT1935-5AP61:**

BRAH Electric, Sirius, direct substitute coil, type 3RT19, 220V AC 50/60Hz, suitable for use with 3RT1035, 3RT1036, 3RT1336, 3RT1535 Contactors.

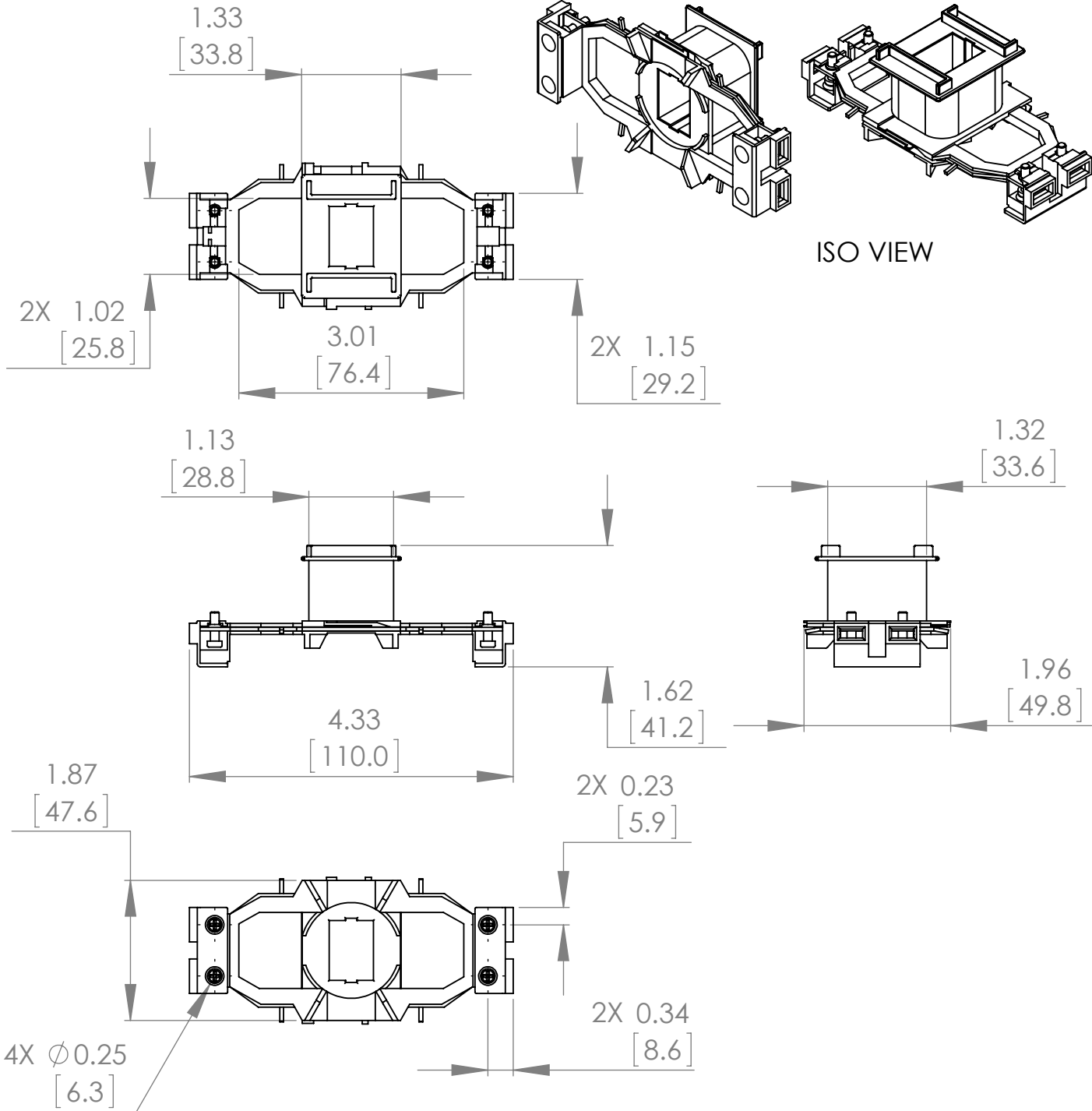
### **PRODUCT SPECIFICATIONS**

|              |                                       |
|--------------|---------------------------------------|
| Manufacturer | BRAH Electric                         |
| Sub-Category | Coils                                 |
| Family       | Sirius                                |
| Type         | 3RT19                                 |
| Voltage      | 220                                   |
| Suitable for | 3RT1035, 3RT1036,<br>3RT1336, 3RT1535 |

**Warranty:** All Products sold by BRAH Electric are guaranteed to be free of defect for a period of two years, under the condition that the product has been installed and operated properly. All items proven defective within the one year period will be replaced by BRAH Electric. In the event that we cannot provide a direct replacement, your monies will be refunded in full. We are not responsible for any consequential losses or damages outside of the defective product as well as any replacements or repairs performed by another party without our written authorization from BRAH Electric.

REVISIONS

| ZONE | REV. | DESCRIPTION | DATE | APPROVED |
|------|------|-------------|------|----------|
|------|------|-------------|------|----------|



[WWW.BRAHELECTRIC.COM](http://WWW.BRAHELECTRIC.COM), 855-355-2724

\* NOTE: BRAH ELECTRIC COILS ARE A DIRECT REPLACEMENT FOR SIEMENS B3RT1935-5AP61, SIRIUS, TYPE B3RT, 220V AC 50/60HZ, SUITABLE FOR USE WITH 3RT1035, 3RT1036 CONTACTORS

THIRD ANGLE PROJECTION

**PROPRIETARY AND CONFIDENTIAL**

THE INFORMATION CONTAINED IN THIS DRAWING IS THE SOLE PROPERTY OF BRAH ELECTRIC. ANY REPRODUCTION IN PART OR AS A WHOLE WITHOUT THE WRITTEN PERMISSION OF BRAH ELECTRIC IS PROHIBITED.

UNLESS OTHERWISE NOTED

ALL DIMENSIONS ARE IN INCHES  
METRIC UNITS ARE DISPLAYED  
BENEATH IN [ MM. ]

|                      |     |
|----------------------|-----|
| MATERIAL             | -   |
| FINISH               | N/A |
| DO NOT SCALE DRAWING |     |

**MOTOR CONTROLS**

|            |                |              |
|------------|----------------|--------------|
| SIZE       | DWG. NO.       | REV.         |
| <b>A</b>   | B3RT1935-5AP61 | <b>A</b>     |
| SCALE: 1:2 | WEIGHT:        | SHEET 1 OF 1 |