

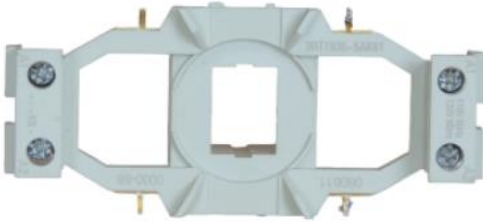


CONTACT US @ 855-355-2724

E-Mail: Sales@brahelectric.com

www.Brahelectric.com

PRODUCT DATA SHEET



coils

Picture is for reference only,
Actual Kit may vary slightly

PART NUMBER – B3RT1935-5AU00:

BRAH Electric, Sirius, direct substitute coil, type 3RT19, 240V AC 60Hz, suitable for use with 3RT1035, 3RT1036, 3RT1336, 3RT1535 Contactors.

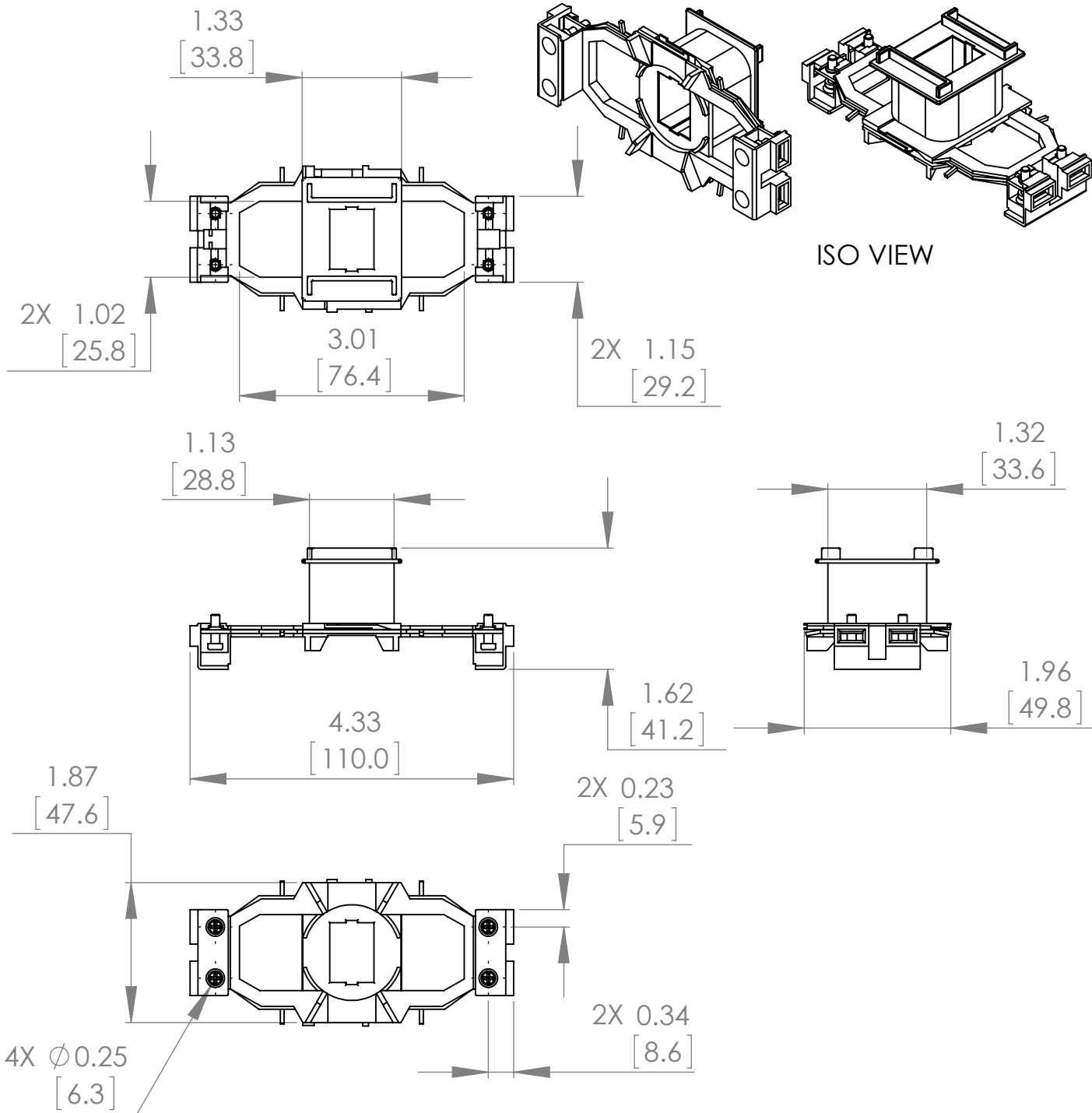
PRODUCT SPECIFICATIONS

Manufacturer	BRAH Electric
Sub-Category	Coils
Family	Sirius
Type	3RT19
Voltage	240
Suitable for	3RT1035, 3RT1036, 3RT1336, 3RT1535

Warranty: All Products sold by BRAH Electric are guaranteed to be free of defect for a period of two years, under the condition that the product has been installed and operated properly. All items proven defective within the one year period will be replaced by BRAH Electric. In the event that we cannot provide a direct replacement, your monies will be refunded in full. We are not responsible for any consequential losses or damages outside of the defective product as well as any replacements or repairs performed by another party without our written authorization from BRAH Electric.

REVISIONS

ZONE	REV.	DESCRIPTION	DATE	APPROVED
------	------	-------------	------	----------



WWW.BRAHELECTRIC.COM, 855-355-2724

* NOTE: BRAH ELECTRIC COILS ARE A DIRECT REPLACEMENT FOR SIEMENS B3RT1935-5AU00, SIRIUS, TYPE B3RT, 240V AC 60HZ, SUITABLE FOR USE WITH 3RT1033, 3RT1034 CONTACTORS

<p>THIRD ANGLE PROJECTION</p>	<p>UNLESS OTHERWISE NOTED ALL DIMENSIONS ARE IN INCHES METRIC UNITS ARE DISPLAYED BENEATH IN [MM.]</p>			
	<p>PROPRIETARY AND CONFIDENTIAL THE INFORMATION CONTAINED IN THIS DRAWING IS THE SOLE PROPERTY OF BRAH ELECTRIC. ANY REPRODUCTION IN PART OR AS A WHOLE WITHOUT THE WRITTEN PERMISSION OF BRAH ELECTRIC IS PROHIBITED.</p>			<p>MATERIAL -</p> <p>FINISH N/A</p> <p>DO NOT SCALE DRAWING</p>
		<p>SIZE A DWG. NO. B3RT1935-5AU00</p>	<p>REV. A</p>	<p>SCALE:1:2 WEIGHT: SHEET 1 OF 1</p>