



CONTACT US @ 855-355-2724

E-Mail: [Sales@brahelectric.com](mailto:Sales@brahelectric.com)

[www.Brahelectric.com](http://www.Brahelectric.com)

## PRODUCT DATA SHEET



Contact Kits

Picture is for reference only,

Actual Kit may vary slightly

### Contact kit Amperage selection chart B3RT19XX-6A

|             |       |
|-------------|-------|
| B3RT1934-6A | 32A   |
| B3RT1935-6A | 40 A  |
| B3RT1936-6A | 50 A  |
| B3RT1944-6A | 65 A  |
| B3RT1945-6A | 80 A  |
| B3RT1946-6A | 95 A  |
| B3RT1954-6A | 110 A |
| B3RT1955-6A | 150 A |
| B3RT1956-6A | 195 A |
| B3RT1964-6A | 225 A |
| B3RT1965-6A | 265 A |
| B3RT1966-6A | 300 A |
| B3RT1975-6A | 400 A |
| B3RT1976-6A | 500 A |

### **PART NUMBER-B3RT1944-6A:**

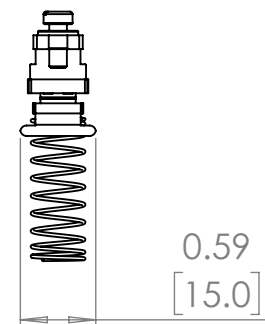
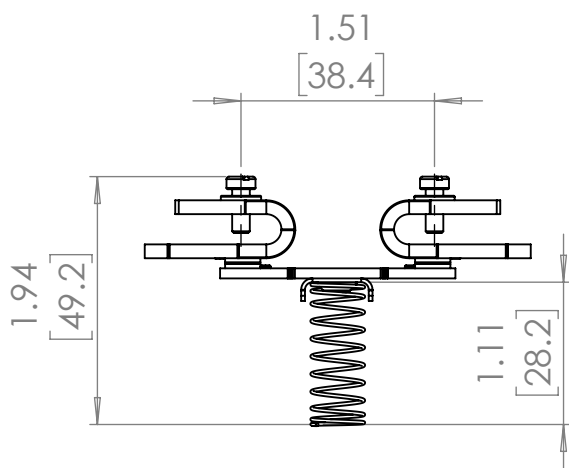
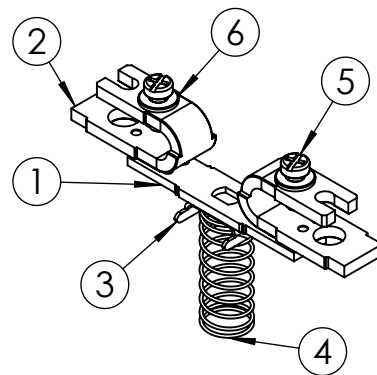
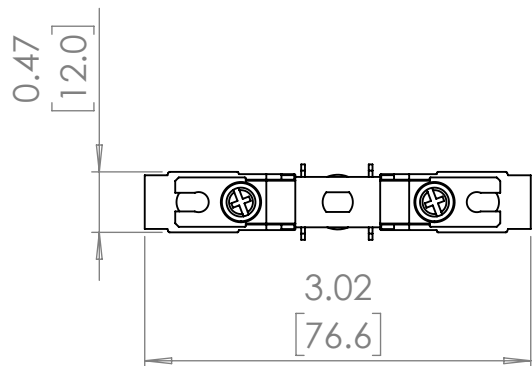
BRAH Electric, direct replacement, after market, contact kits for Siemens Sirius 3 pole contact kit, rated for 65amp, 600volt max, suitable with Siemens Sirius model types 3RT1044, complete assembly kit includes all contacts and related mounting screws and hardware, direct substitute for Siemens OEM 3RT1944-6A

### **PRODUCT SPECIFICATIONS**

|              |               |
|--------------|---------------|
| Manufacturer | BRAH Electric |
| Sub-Category | Contact Kit   |
| Family       | Sirius        |
| Type         | 3RT19, B3RT19 |
| Suitable For | 3RT1044       |
| Amperage     | 65            |
| Voltage      | 600           |
| Poles        | 3             |

**Warranty:** All Products sold by BRAH Electric are guaranteed to be free of defect for a period of two years, under the condition that the product has been installed and operated properly. All items proven defective within the one year period will be replaced by BRAH Electric. In the event that we cannot provide a direct replacement, your monies will be refunded in full. We are not responsible for any consequential losses or damages outside of the defective product as well as any replacements or repairs performed by another party without our written authorization from BRAH Electric.

| REVISIONS |      |             |      |          |
|-----------|------|-------------|------|----------|
| ZONE      | REV. | DESCRIPTION | DATE | APPROVED |



| ITEM NO. | PART NUMBER          | DESCRIPTION | VENDOR | QTY. |
|----------|----------------------|-------------|--------|------|
| 1        | B3RT1944-6A          | Contact Kit | BRAH   | 3    |
| 2        | B3RT1944-6A-01       | Contact Kit | BRAH   | 6    |
| 3        | B3RT1944-6A-02       | Contact Kit | BRAH   | 3    |
| 4        | B3RT1944-6A- Spring  | Spring      | BRAH   | 3    |
| 5        | B3RT1944-6A-Screw    | M4 X 10     | BRAH   | 6    |
| 6        | B3RT1944-6A - Washer | Washer      | BRAH   | 6    |

\* NOTE: BRAH Electric, aftermarket direct replacement contact kits for Siemens , 3 pole kit ,Type 3RT19, suitable for use with Siemens Sirius model types 3RT1044 magnetic contactors & motor starters, NEMA size 0, rated for 600V maximum of 65 Amp.

[WWW.BRAHELECTRIC.COM](http://WWW.BRAHELECTRIC.COM) , 855-355-2724

|   |   |   |                           |  |
|---|---|---|---------------------------|--|
| <p>THIRD ANGLE PROJECTION</p>             | <p>UNLESS OTHERWISE NOTED<br/>ALL DIMENSIONS ARE IN INCHES<br/>METRIC UNITS ARE DISPLAYED<br/>BENEATH IN [ MM. ]</p>  |   |                           |  |
|   | <p><b>PROPRIETARY AND CONFIDENTIAL</b><br/>THE INFORMATION CONTAINED IN THIS DRAWING IS THE SOLE PROPERTY OF BRAH ELECTRIC. ANY REPRODUCTION IN PART OR AS A WHOLE WITHOUT THE WRITTEN PERMISSION OF BRAH ELECTRIC IS PROHIBITED.</p> | <p>MATERIAL N/A</p> <p>FINISH N/A</p> <p>DO NOT SCALE DRAWING</p> |                           | <p>CONTACT KIT</p>                       |
| <p>SIZE <b>A</b> DWG. NO. B3RT1944-6A</p> |   | <p>SCALE:1:1</p>  | <p>WEIGHT: 0.0100 LBS</p> | <p>REV. <b>A</b></p> <p>SHEET 1 OF 1</p> |