



CONTACT US @ 855-355-2724

E-Mail: Sales@brahelectric.com

www.Brahelectric.com

PRODUCT DATA SHEET



Contact Kits

Picture is for reference only,
Actual Kit may vary slightly

Contact kit Amperage selection chart B3RT19XX-6A

B3RT1934-6A	32A
B3RT1935-6A	40 A
B3RT1936-6A	50 A
B3RT1944-6A	65 A
B3RT1945-6A	80 A
B3RT1946-6A	95 A
B3RT1954-6A	110 A
B3RT1955-6A	150 A
B3RT1956-6A	195 A
B3RT1964-6A	225 A
B3RT1965-6A	265 A
B3RT1966-6A	300 A
B3RT1975-6A	400 A
B3RT1976-6A	500 A

PART NUMBER-B3RT1945-6A:

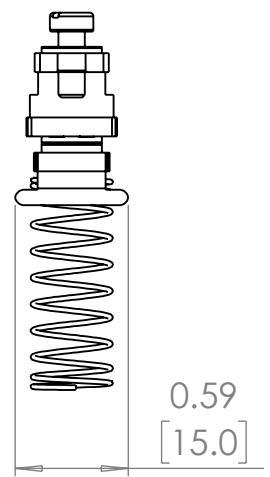
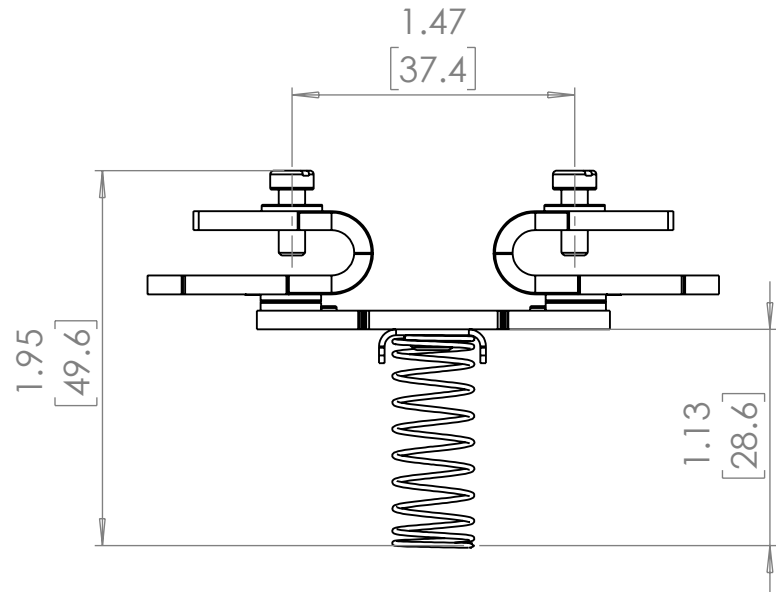
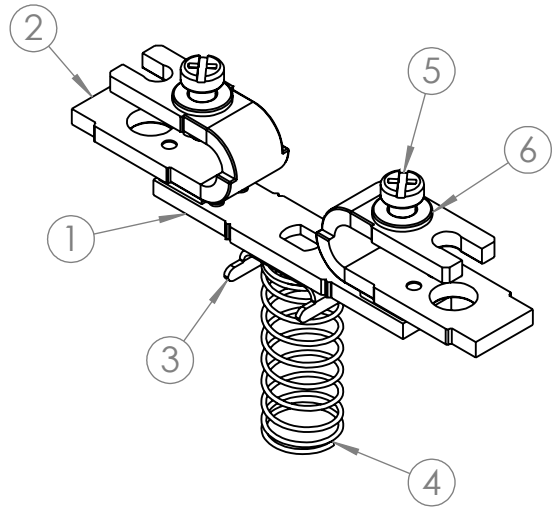
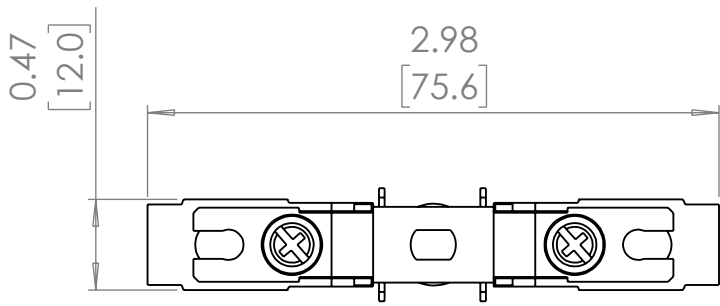
BRAH Electric, direct replacement, after market, contact kits for Siemens Sirius 3 pole contact kit, rated for 80amp, 600volt max, suitable with Siemens Sirius model types 3RT1045, complete assembly kit includes all contacts and related mounting screws and hardware, direct substitute for Siemens OEM 3RT1945-6A

PRODUCT SPECIFICATIONS

Manufacturer	BRAH Electric
Sub-Category	Contact Kit
Family	Sirius
Type	3RT19, B3RT19
Suitable For	3RT1045
Amperage	80
Voltage	600
Poles	3

Warranty: All Products sold by BRAH Electric are guaranteed to be free of defect for a period of two years, under the condition that the product has been installed and operated properly. All items proven defective within the one year period will be replaced by BRAH Electric. In the event that we cannot provide a direct replacement, your monies will be refunded in full. We are not responsible for any consequential losses or damages outside of the defective product as well as any replacements or repairs performed by another party without our written authorization from BRAH Electric.

REVISIONS				
ZONE	REV.	DESCRIPTION	DATE	APPROVED



ITEM NO.	PART NUMBER	DESCRIPTION	VENDOR	QTY.
1	B3RT1945-6A	Contact Kit	BRAH	3
2	B3RT1945-6A-01	Contact Kit	BRAH	6
3	B3RT1945-6A-02	Contact Kit	BRAH	3
4	B3RT1945-6A- Spring	Spring	BRAH	3
5	B3RT1945-6A- Screw	M4 X 10	BRAH	6
6	B3RT1945-6A- Washer	Washer	BRAH	6

* NOTE: BRAH Electric, aftermarket direct replacement contact kits for Siemens , 3 pole kit, Type 3RT19 , suitable for use with Siemens Sirius model types 3RT1045 magnetic contactors & motor starters, NEMA size 0, rated for 600V maximum of 80 Amp.

THIRD ANGLE PROJECTION

PROPRIETARY AND CONFIDENTIAL
 THE INFORMATION CONTAINED IN THIS DRAWING IS THE SOLE PROPERTY OF BRAH ELECTRIC. ANY REPRODUCTION IN PART OR AS A WHOLE WITHOUT THE WRITTEN PERMISSION OF BRAH ELECTRIC IS PROHIBITED.

UNLESS OTHERWISE NOTED
 ALL DIMENSIONS ARE IN INCHES
 METRIC UNITS ARE DISPLAYED
 BENEATH IN [MM.]

MATERIAL N/A

FINISH N/A

DO NOT SCALE DRAWING

CONTACT KIT

SIZE **A** DWG. NO. **B3RT1945-6A** REV. **A**

SCALE: 1:1 WEIGHT: 0.0101 LBS SHEET 1 OF 1