



CONTACT US @ 855-355-2724

E-Mail: [Sales@brahelectric.com](mailto:Sales@brahelectric.com)

[www.Brahelectric.com](http://www.Brahelectric.com)

## PRODUCT DATA SHEET



### CONTACTOR

Picture is for reference only,  
Actual Kit may vary slightly

### Coil Voltage Selection Chart B3TB40XX

|          |            |
|----------|------------|
| B3TB40   | 110/120VAC |
| B3TB4022 | 110/120VAC |
| B3TB41   | 110/120VAC |
| B3TB4122 | 110/120VAC |
| B3TB42   | 110/120VAC |
| B3TB4222 | 110/120VAC |
| B3TB43   | 110/120VAC |
| B3TB4322 | 110/120VAC |
| B3TB44   | 110/120VAC |
| B3TB4422 | 110/120VAC |

### **PART NUMBER – B3TB4022:**

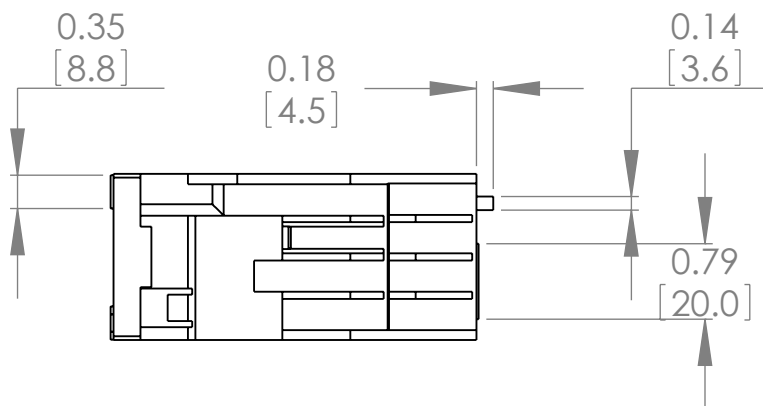
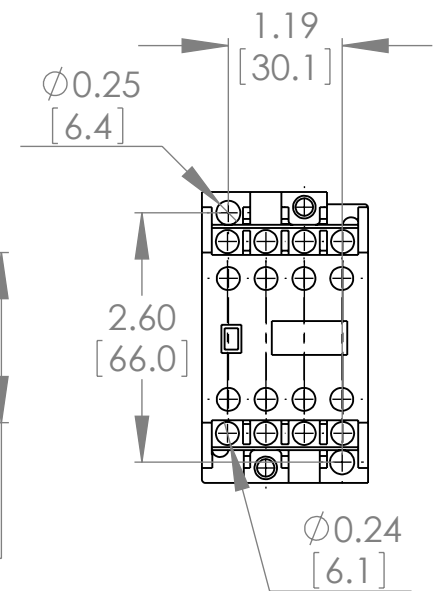
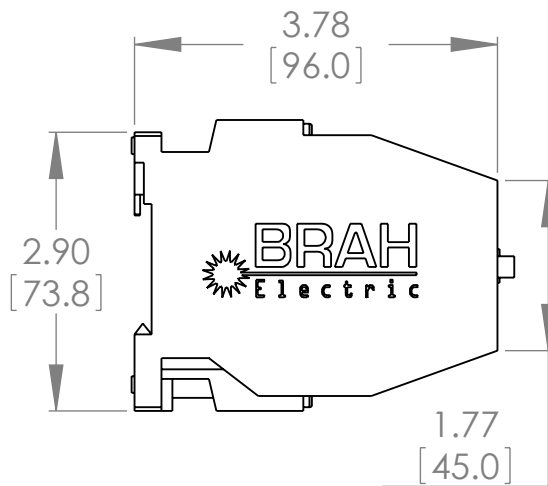
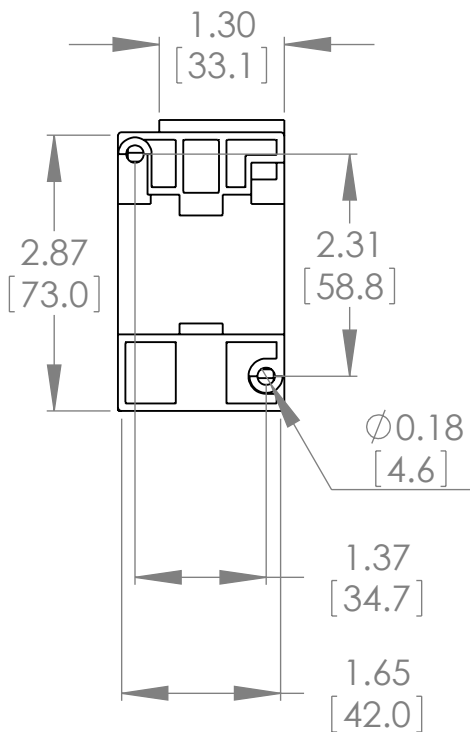
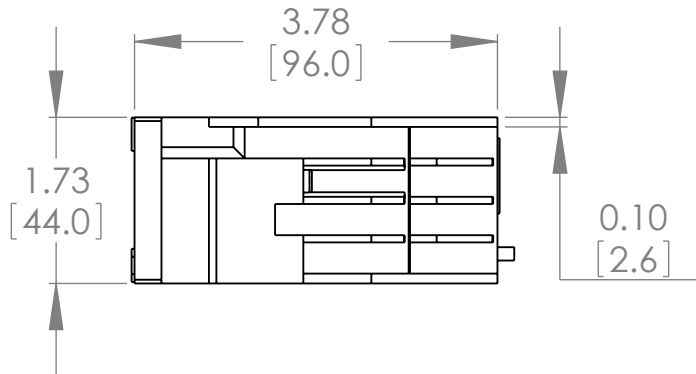
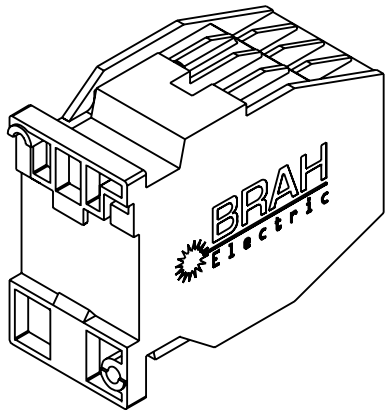
BRAH Electric, aftermarket direct replacement contactors for world series Siemens 3TB4022, 9 amp, 600 volt, 3 pole, complete with 110/120VAC control coil, 2 normally open, 2 normally closed auxiliary contacts, suitable for use with Siemens World Series type 3TB, direct substitute contactor for Siemens OEM 3TBB4022

### **PRODUCT SPECIFICATIONS**

|                  |               |
|------------------|---------------|
| Manufacturer     | BRAH Electric |
| Sub-Category     | Contactors    |
| Family           | World Series  |
| Type             | 3TB           |
| Coil Voltage Min | 110           |
| Voltage          | 600           |
| Coil Voltage Max | 120           |
| Amperage         | 9             |
| Phase            | 3             |
| Poles            | 3             |

**Warranty:** All Products sold by BRAH Electric are guaranteed to be free of defect for a period of two years, under the condition that the product has been installed and operated properly. All items proven defective within the one year period will be replaced by BRAH Electric. In the event that we cannot provide a direct replacement, your monies will be refunded in full. We are not responsible for any consequential losses or damages outside of the defective product as well as any replacements or repairs performed by another party without our written authorization from BRAH Electric.

| REVISIONS |      |             |      |          |
|-----------|------|-------------|------|----------|
| ZONE      | REV. | DESCRIPTION | DATE | APPROVED |



\* NOTE: BRAH ELECTRIC CONTACTOR B3TB4022 IS AN AFTERMARKET DIRECT REPLACEMENT FOR SIEMENS 3RTB4022, 3TB SERIES. SUITABLE FOR USE WITH 3TB SERIES MOTOR CONTROL SYSTEMS

THIRD ANGLE PROJECTION

**PROPRIETARY AND CONFIDENTIAL**

THE INFORMATION CONTAINED IN THIS DRAWING IS THE SOLE PROPERTY OF BRAH ELECTRIC. ANY REPRODUCTION IN PART OR AS A WHOLE WITHOUT THE WRITTEN PERMISSION OF BRAH ELECTRIC IS PROHIBITED.

UNLESS OTHERWISE NOTED  
ALL DIMENSIONS ARE IN INCHES  
METRIC UNITS ARE DISPLAYED  
BENEATH IN [ MM. ]

MATERIAL  
MOLDED PLASTIC CASE

FINISH  
N/A

DO NOT SCALE DRAWING

**BRAH**<sup>®</sup>  
Electric

MAGNETIC CONTACTOR

SIZE **A** DWG. NO. **B3TB4022** REV. **A**

SCALE: 1:2 WEIGHT: 3.2 LBS SHEET 1 OF 1