



CONTACT US @ 855-355-2724

E-Mail: Sales@brahelectric.com

www.Brahelectric.com

PRODUCT DATA SHEET



Contactors
Picture is for reference only,
Actual Kit may vary slightly

Coil Voltage Selection Chart B3TB4XXX

B3TB40	110/120VAC
B3TB4022	110/120VAC
B3TB41	110/120VAC
B3TB4122	110/120VAC
B3TB42	110/120VAC
B3TB4222	110/120VAC
B3TB43	110/120VAC
B3TB4322	110/120VAC
B3TB44	110/120VAC
B3TB4422	110/120VAC

PART NUMBER- B3TB42:

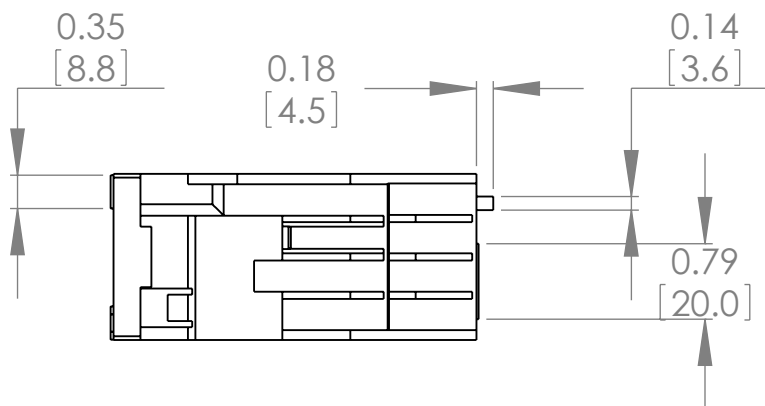
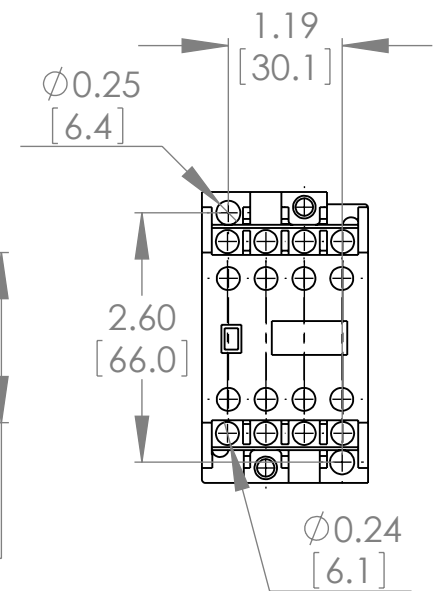
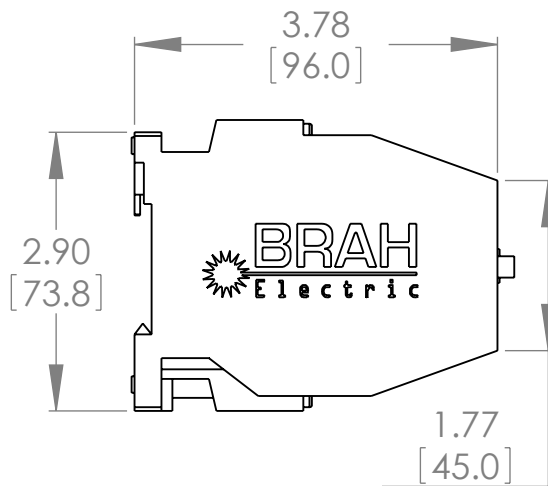
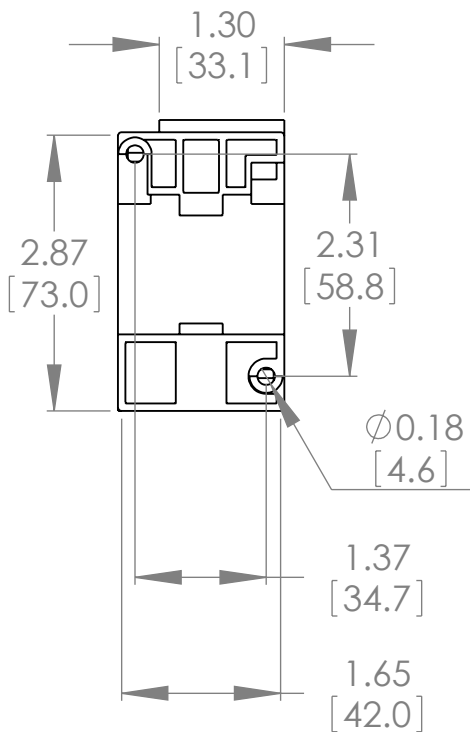
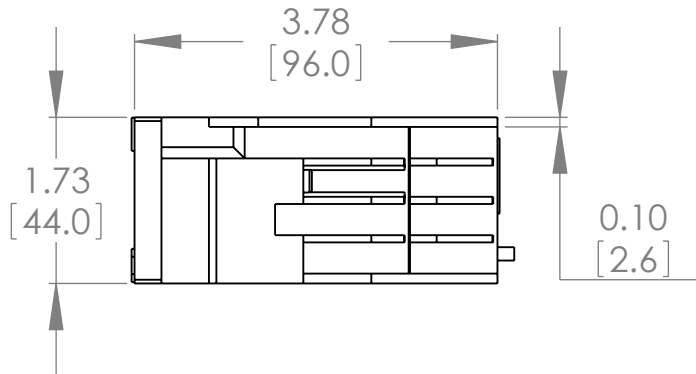
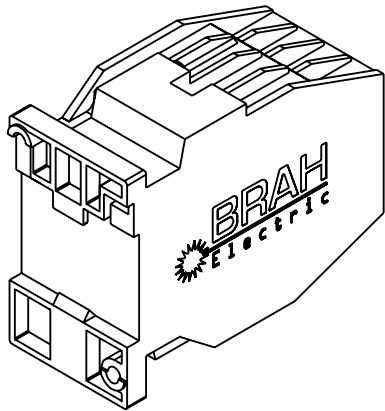
BRAH Electric, World series, contactor, type 3TB,3P 3PH, 16A, 600V, 5HP@230V, 10HP@460V, 15@ 575V, complete with 110/120V coil, AC magnetic contactor, suitable for use with world series motor Control systems.

PRODUCT SPECIFICATIONS

Manufacturer	BRAH Electric
Sub-Category	Contactors
Family	World Series
Type	3TB
Coil Voltage Min	110
Voltage	600
Coil Voltage Max	120
Amperage	16
Poles	3
Phase	3

Warranty: All Products sold by BRAH Electric are guaranteed to be free of defect for a period of two years, under the condition that the product has been installed and operated properly. All items proven defective within the one year period will be replaced by BRAH Electric. In the event that we cannot provide a direct replacement, your monies will be refunded in full. We are not responsible for any consequential losses or damages outside of the defective product as well as any replacements or repairs performed by another party without our written authorization from BRAH Electric.

REVISIONS				
ZONE	REV.	DESCRIPTION	DATE	APPROVED



* NOTE: BRAH ELECTRIC CONTACTOR B3TB42 IS AN AFTERMARKET DIRECT REPLACEMENT FOR SIEMENS 3RTB42, 3TB SERIES. SUITABLE FOR USE WITH 3TB SERIES MOTOR CONTROL SYSTEMS

THIRD ANGLE PROJECTION

PROPRIETARY AND CONFIDENTIAL

THE INFORMATION CONTAINED IN THIS DRAWING IS THE SOLE PROPERTY OF BRAH ELECTRIC. ANY REPRODUCTION IN PART OR AS A WHOLE WITHOUT THE WRITTEN PERMISSION OF BRAH ELECTRIC IS PROHIBITED.

UNLESS OTHERWISE NOTED
ALL DIMENSIONS ARE IN INCHES
METRIC UNITS ARE DISPLAYED
BENEATH IN [MM.]

MATERIAL
MOLDED PLASTIC CASE

FINISH
N/A

DO NOT SCALE DRAWING



MAGNETIC CONTACTOR

SIZE A	DWG. NO. B3TB42	REV. A
SCALE: 1:2	WEIGHT: 3.2 LBS	SHEET 1 OF 1