

PRODUCT DATA SHEET



PART NUMBER-B3T4322: BRAH Electric, aftermarket direct replacement contactors for Siemens 3TB4322, World Series, type 3TB, 3P, 3PH, 22A, 600V, 7.5HP @ 230V, 15HP @ 460V, 20HP @ 575V, complete with 110/120V AC coil, 2 N/O - 2 N/C auxiliary contact, AC magnetic contactor, suitable for use with 3TB series motor control systems

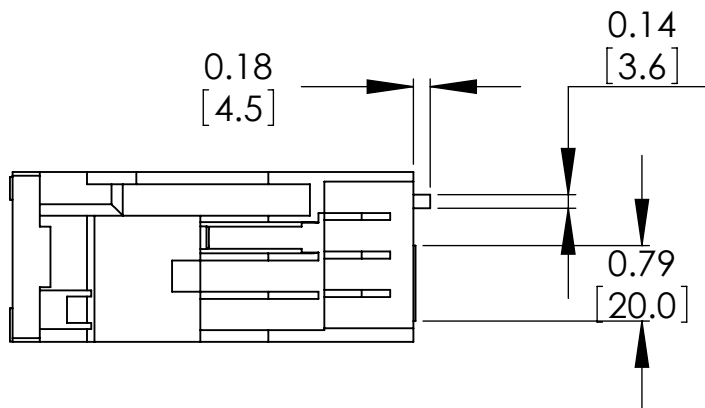
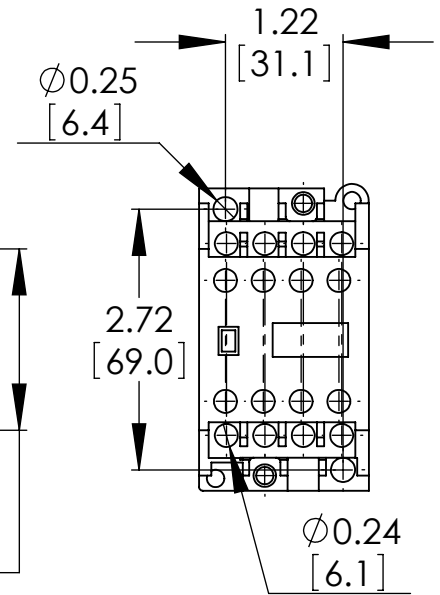
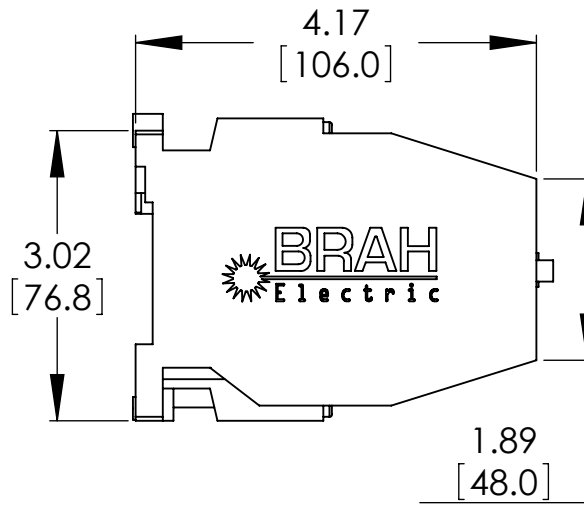
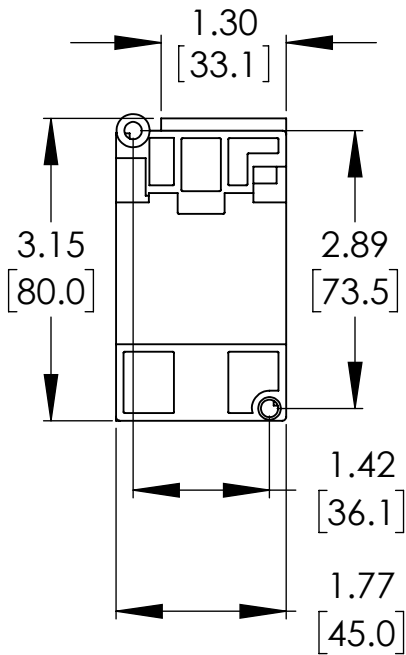
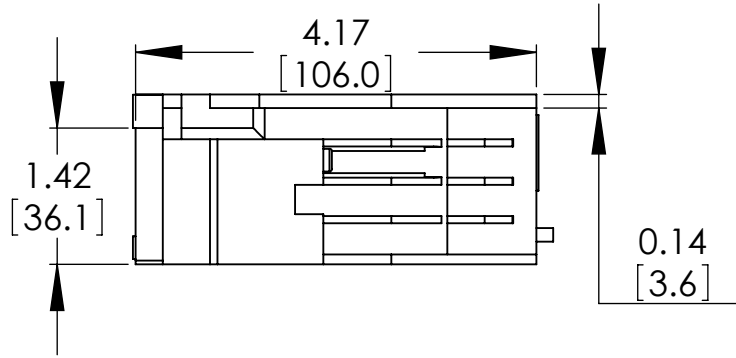
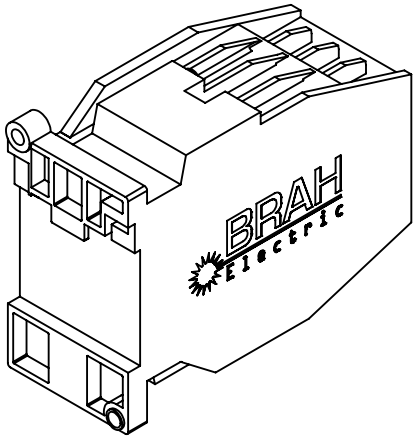
PRODUCT SPECIFICATIONS

MAGNETIC CONTACTOR
PART NO. B3TB4322

<i>TYPE</i>	<i>VALUE (UNITS)</i>	<i>NOTES</i>	<i>COMMENTS</i>
<i>PHASE</i>	3		
<i>POLES</i>	3		
<i>VOLTAGE</i>	600 (VAC)		
<i>AMPERAGE</i>	22 (A)	AC 3	
<i>COIL VOLTAGE MIN</i>	110 (V)		
<i>COIL VOLTAGE MAX</i>	120 (V)		
<i>MIN HP. RATING</i>	7.5 (HP)	@ 230V	
<i>MAX HP RATING</i>	20 (HP)	@ 575V	
<i>Frequency</i>	60 HZ		

Warranty: All Products sold by BRAH Electric are guaranteed to be free of defect for a period of one year, under the condition that the product has been installed and operated properly. All items proven defective within the one year period will be replaced by BRAH Electric. In the event that we cannot provide a direct replacement, your monies will be refunded in full. We are not responsible for any consequential losses or damages outside of the defective product as well as any replacements or repairs performed by another party without our written authorization from BRAH Electric.

REVISIONS				
ZONE	REV.	DESCRIPTION	DATE	APPROVED



* NOTE: BRAH ELECTRIC CONTACTOR B3TB4322 IS AN AFTERMARKET DIRECT REPLACEMENT FOR SIEMENS 3RTB4322, 3TB SERIES. SUITABLE FOR USE WITH 3TB SERIES MOTOR CONTROL SYSTEMS

THIRD ANGLE PROJECTION

PROPRIETARY AND CONFIDENTIAL

THE INFORMATION CONTAINED IN THIS DRAWING IS THE SOLE PROPERTY OF BRAH ELECTRIC. ANY REPRODUCTION IN PART OR AS A WHOLE WITHOUT THE WRITTEN PERMISSION OF BRAH ELECTRIC IS PROHIBITED.

UNLESS OTHERWISE NOTED
ALL DIMENSIONS ARE IN INCHES
METRIC UNITS ARE DISPLAYED
BENEATH IN [MM.]

ERROR: ManufacturingApproval

MATERIAL
MOLDED PLASTIC CASE

FINISH
N/A

DO NOT SCALE DRAWING

BRAH
Electric

MAGNETIC CONTACTOR

SIZE **A** DWG. NO. **B3TB4322** REV. **A**

SCALE: 1:2 WEIGHT: 3.2 LBS SHEET 1 OF 1