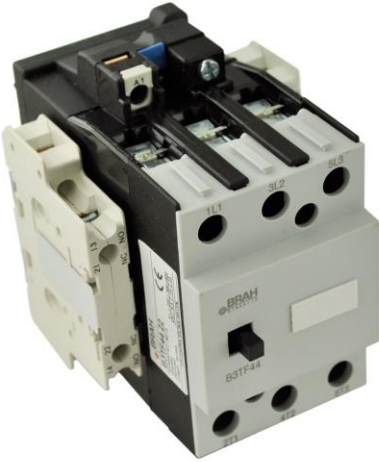


## PRODUCT DATA SHEET



**PART NUMBER – B3TF44:** BRAH Electric, aftermarket direct replacement contactors for Siemens 3TF44, World Series, type 3TF, 3P, 3PH, 32A, 600V, 10HP @ 230V, 25HP @ 460V, 30HP @ 575V, complete with 110/120V AC coil, 2 N/O - 2 N/C auxiliary contact, AC magnetic contactor, suitable for use with 3TF series motor control systems

### PRODUCT SPECIFICATIONS

MAGNETIC CONTACTOR  
PART NO. B3TF44

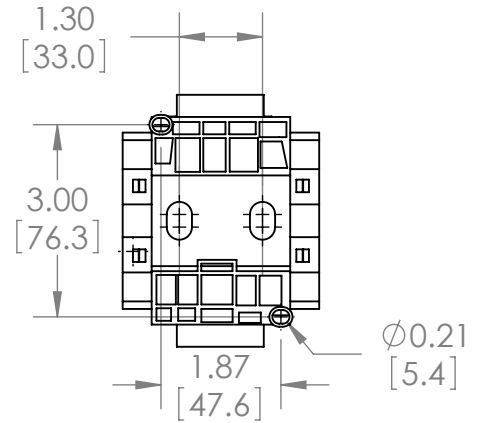
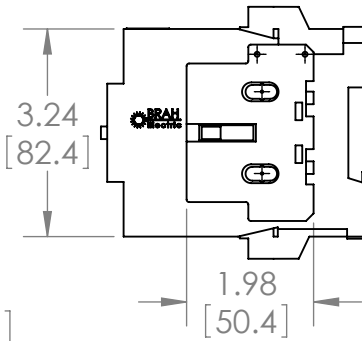
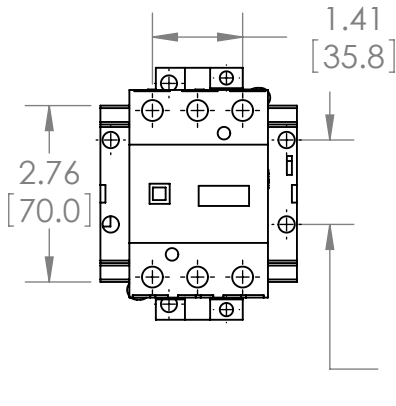
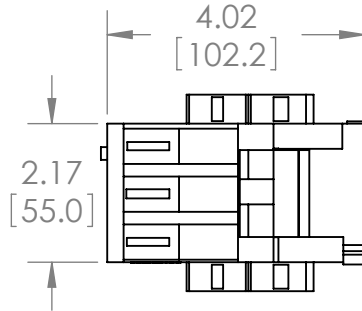
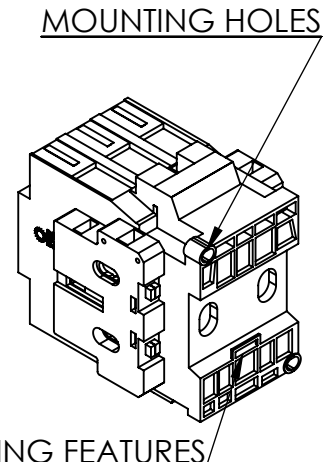
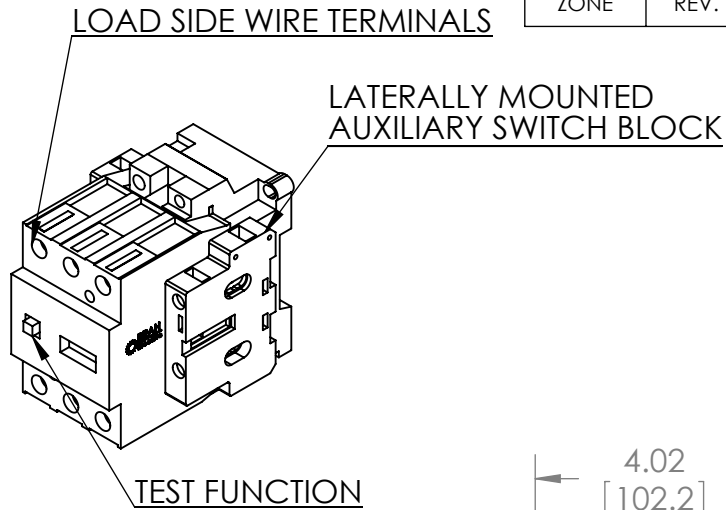
**Voltage Selection Chart  
B3TF44XXXX**

B3TF44	110/120V AC
B3TF4422	110/120V AC
B3TF4422-0AC2	24V AC
B3TF4422-0AK6	110/120V AC
B3TF4422-0AP6	240V AC
B3TF4422-0AV0	480V AC

TYPE	VALUE (UNITS)	NOTES	COMMENTS
PHASE	3		
POLES	3		
VOLTAGE	600 (VAC)		
AMPERAGE	32 (A)		
COIL VOLTAGE MIN	110 (V)		
COIL VOLTAGE MAX	120 (V)		
MIN HP. RATING	10 (HP)	@ 230V	
MAX HP RATING	30 (HP)	@ 575V	

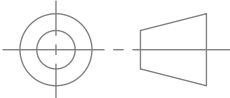

**Warranty:** All Products sold by BRAH Electric are guaranteed to be free of defect for a period of one year, under the condition that the product has been installed and operated properly. All items proven defective within the one year period will be replaced by BRAH Electric. In the event that we cannot provide a direct replacement, your monies will be refunded in full. We are not responsible for any consequential losses or damages outside of the defective product as well as any replacements or repairs performed by another party without our written authorization from BRAH Electric.

REVISIONS				
ZONE	REV.	DESCRIPTION	DATE	APPROVED



[WWW.BRAHELECTRIC.COM](http://WWW.BRAHELECTRIC.COM), 855-355-2724

\*NOTE: BRAH ELECTRIC CONTACTOR B3TF44 IS AN AFTERMARKET DIRECT REPLACEMENT FOR 3TF44, 3TF SERIES. SUITABLE FOR USE WITH 3TF SERIES MOTOR CONTROL SYSTEMS

 THIRD ANGLE PROJECTION	UNLESS OTHERWISE NOTED ALL DIMENSIONS ARE IN INCHES METRIC UNITS ARE DISPLAYED BENEATH IN [ MM. ]	 <b>BRAH</b> Electric
	<b>PROPRIETARY AND CONFIDENTIAL</b> THE INFORMATION CONTAINED IN THIS DRAWING IS THE SOLE PROPERTY OF BRAH ELECTRIC. ANY REPRODUCTION IN PART OR AS A WHOLE WITHOUT THE WRITTEN PERMISSION OF BRAH ELECTRIC IS PROHIBITED.	
DO NOT SCALE DRAWING		SIZE <b>A</b> DWG. NO. <b>B3TF44</b> REV. <b>A</b>
SCALE: 1:3		WEIGHT: 3.2 LBS SHEET 1 OF 1