



CONTACT US @ 855-355-2724

E-Mail: Sales@brahelectric.com

www.Brahelectric.com

PRODUCT DATA SHEET



Contactors

Picture is for reference only,
Actual Kit may vary slightly

Voltage Selection Chart B3TF48XXXX

B3TF48	110/120V AC
B3TF4822	110/120V AC
B3TF4822-0AC2	24V AC
B3TF4822-0AK6	110/120V AC
B3TF4822-0AP6	240V AC
B3TF4822-0AV0	480V AC

PART NUMBER- B3TF48:

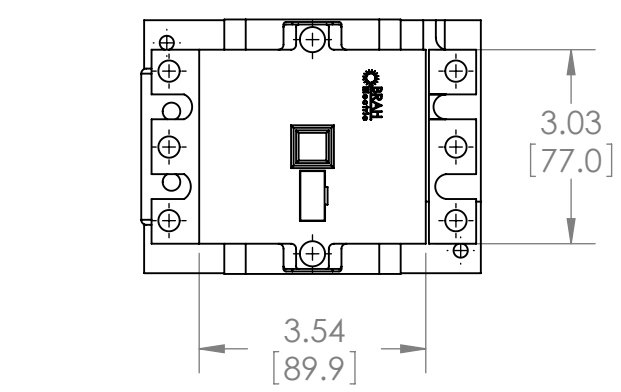
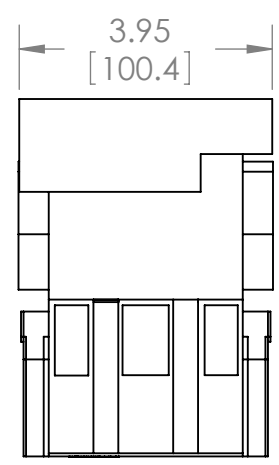
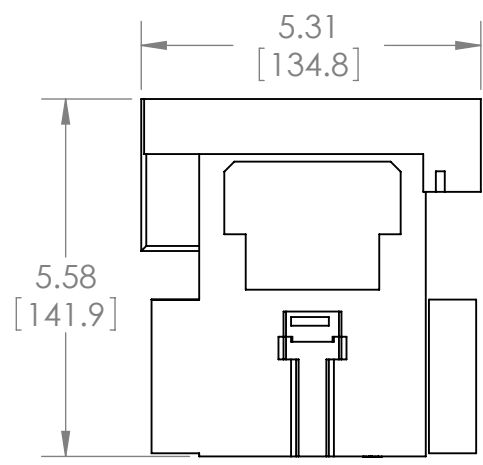
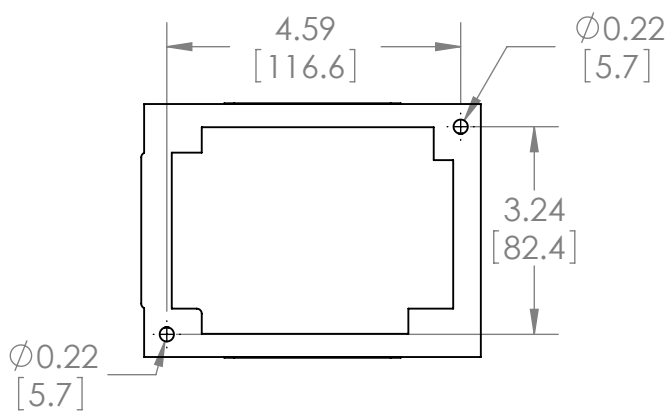
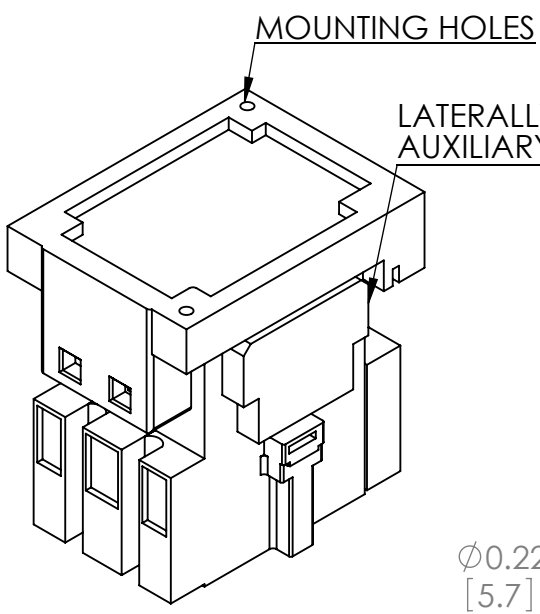
BRAH Electric, World series, contactor, type 3TF,3P 3PH, 75A, 600V, 30HP@230V, 60HP@460V, 75@ 575V, complete with 110/120V coil, 2NO/2NC aux Contacts installed, AC contactor, suitable for use With world series motor control systems.

PRODUCT SPECIFICATIONS

Manufacturer	BRAH Electric
Sub-Category	Contactors
Family	World Series
Type	3TF
Coil Voltage Min	110
Voltage	600
Coil Voltage Max	120
Amperage	75
Horsepower	75
Poles	3
Phase	3

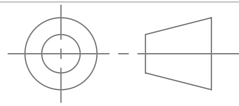

Warranty: All Products sold by BRAH Electric are guaranteed to be free of defect for a period of two years, under the condition that the product has been installed and operated properly. All items proven defective within the one year period will be replaced by BRAH Electric. In the event that we cannot provide a direct replacement, your monies will be refunded in full. We are not responsible for any consequential losses or damages outside of the defective product as well as any replacements or repairs performed by another party without our written authorization from BRAH Electric.

REVISIONS				
ZONE	REV.	DESCRIPTION	DATE	APPROVED



WWW.BRAHELECTRIC.COM, 855-355-2724

***NOTE: BRAH ELECTRIC CONTACTOR B3TF48 IS AN AFTERMARKET DIRECT REPLACEMENT FOR 3TF48,3TF SERIES. SUITABLE FOR USE WITH 3TF SERIES MOTOR CONTROL SYSTEMS**

 THIRD ANGLE PROJECTION	UNLESS OTHERWISE NOTED ALL DIMENSIONS ARE IN INCHES METRIC UNITS ARE DISPLAYED BENEATH IN [MM.]	 BRAH Electric		
	PROPRIETARY AND CONFIDENTIAL THE INFORMATION CONTAINED IN THIS DRAWING IS THE SOLE PROPERTY OF BRAH ELECTRIC. ANY REPRODUCTION IN PART OR AS A WHOLE WITHOUT THE WRITTEN PERMISSION OF BRAH ELECTRIC IS PROHIBITED.			MATERIAL MOLDED PLASTIC CASE FINISH N/A
DO NOT SCALE DRAWING		SIZE A	DWG. NO. B3TF48	REV. A
		SCALE: 1:3	WEIGHT: 3.2 LBS	SHEET 1 OF 1