



CONTACT US @ 855-355-2724

E-Mail: Sales@brahelectric.com

www.Brahelectric.com

PRODUCT DATA SHEET



Contactors

Picture is for reference only,
Actual Kit may vary slightly

Contactor voltage selection chart B3TF4822-0AXX

B3TF4822	110/120 VAC
B3TF4822-0AC2	24 VAC
B3TF4822-0AK6	110/120 VAC
B3TF4822-0AP6	240 VAC
B3TF4822-0AVO	480 VAC

PART NUMBER-B3TF4822-0AK6:

BRAH Electric, direct replacement, after market, contact kits for Siemens 75amp, 600volt, 3 pole, complete with 110/120VAC control coil, 2 normally open, 2 normally closed auxiliary contacts, suitable for use with Siemens Sirius type 3TF, direct substitute contactor for Siemens OEM 3TF4822

PRODUCT SPECIFICATIONS

Manufacturer	BRAH Electric
Sub-Category	Contactor
Family	World Series
Type	3TF, B3TF
Suitable For	3TF
Amperage	75
Voltage	600
Horse power	60
Poles	3
Phase	3
Frequency	50/60 Hz

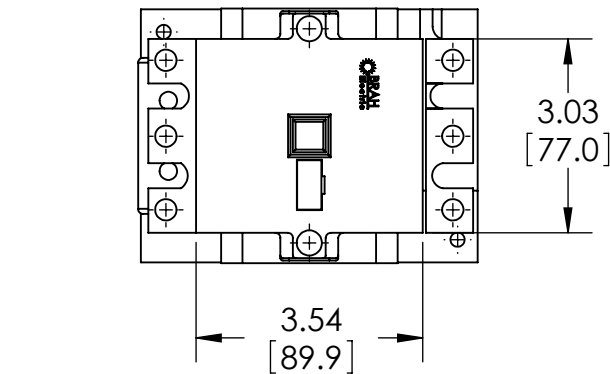
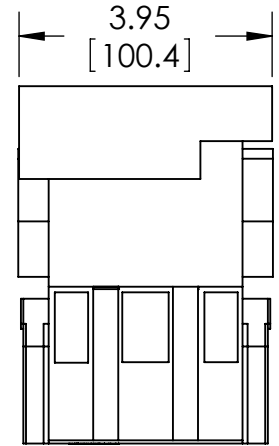
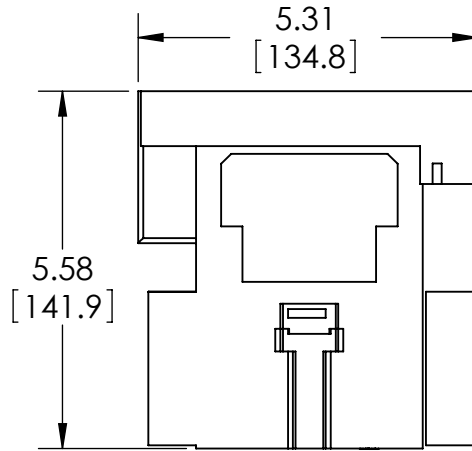
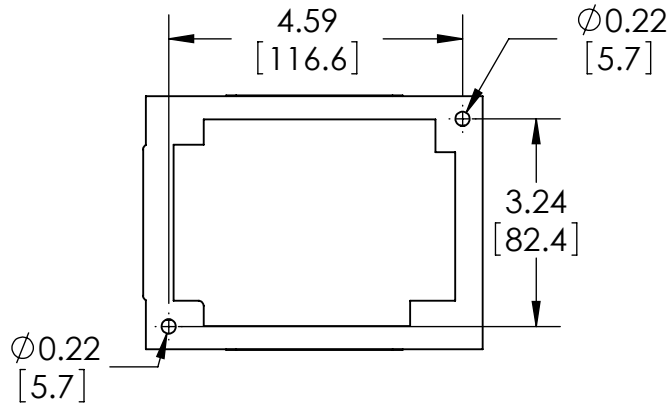
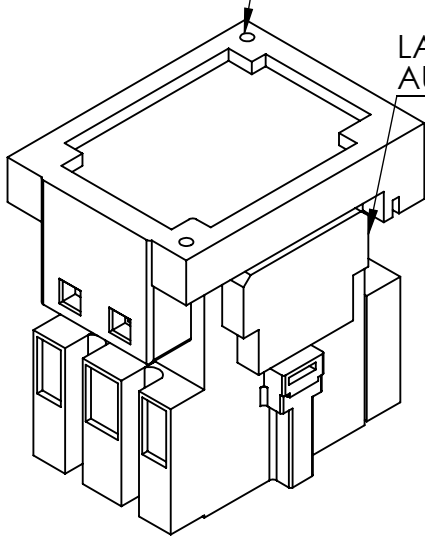
Warranty: All Products sold by BRAH Electric are guaranteed to be free of defect for a period of two years, under the condition that the product has been installed and operated properly. All items proven defective within the one year period will be replaced by BRAH Electric. In the event that we cannot provide a direct replacement, your monies will be refunded in full. We are not responsible for any consequential losses or damages outside of the defective product as well as any replacements or repairs performed by another party without our written authorization from BRAH Electric.

REVISIONS

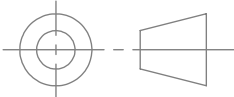

ZONE	REV.	DESCRIPTION	DATE	APPROVED
------	------	-------------	------	----------

MOUNTING HOLES

LATERALLY MOUNTED
AUXILIARY SWITCH BLOCK



***NOTE: BRAH ELECTRIC CONTACTOR B3TF4822-0AK6 IS AN AFTERMARKET DIRECT REPLACEMENT FOR 3TF4822-0AK6, 3TF SERIES. SUITABLE FOR USE WITH 3TF SERIES MOTOR CONTROL SYSTEMS**

 THIRD ANGLE PROJECTION	UNLESS OTHERWISE NOTED ALL DIMENSIONS ARE IN INCHES METRIC UNITS ARE DISPLAYED BENEATH IN [MM.]	 MAGNETIC CONTACTOR	
	PROPRIETARY AND CONFIDENTIAL THE INFORMATION CONTAINED IN THIS DRAWING IS THE SOLE PROPERTY OF BRAH ELECTRIC. ANY REPRODUCTION IN PART OR AS A WHOLE WITHOUT THE WRITTEN PERMISSION OF BRAH ELECTRIC IS PROHIBITED.		