

PRODUCT DATA SHEET



PART NUMBER – B3TF49: BRAH Electric, aftermarket direct replacement contactors for Siemens 3TF49, World Series, type 3TF, 3P, 3PH, 85A, 600V, 40HP @ 230V, 75HP @ 460V, 100HP @ 575V, complete with 110/120V AC coil, 2 N/O - 2 N/C auxiliary contact, AC magnetic contactor, suitable for use with 3TF series motor control systems

PRODUCT SPECIFICATIONS

MAGNETIC CONTACTOR
PART NO. B3TF49

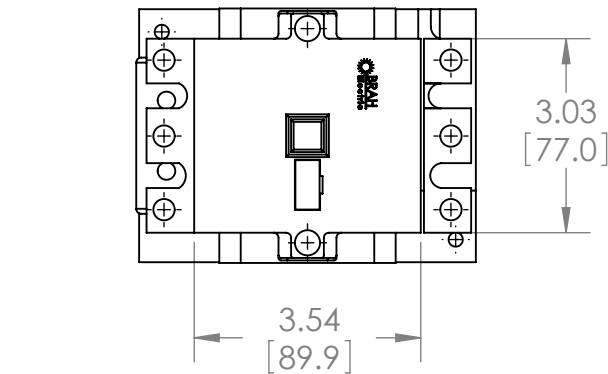
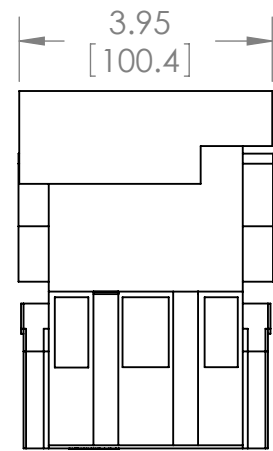
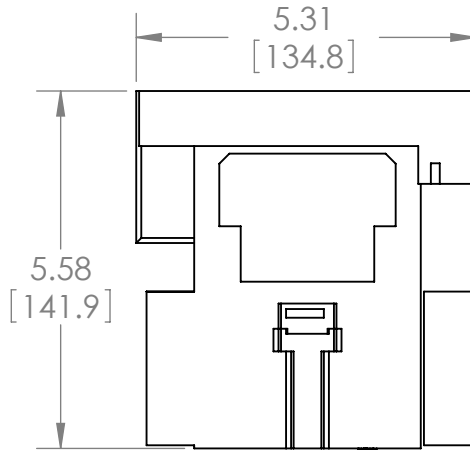
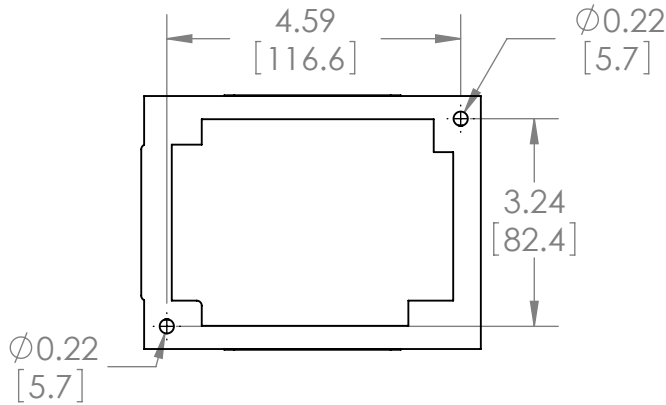
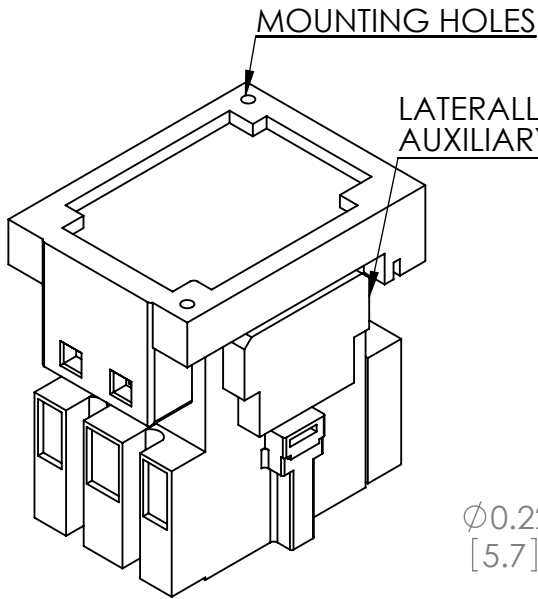
**Voltage Selection Chart
B3TF49XXXX**

B3TF49	110/120V AC
B3TF4922	110/120V AC
B3TF4922-0AC2	24V AC
B3TF4922-0AK6	110/120V AC
B3TF4922-0AP6	240V AC
B3TF4922-0AV0	480V AC

TYPE	VALUE (UNITS)	NOTES	COMMENTS
PHASE	3		
POLES	3		
VOLTAGE	600 (VAC)		
AMPERAGE	85 (A)		
COIL VOLTAGE MIN	110 (V)		
COIL VOLTAGE MAX	120 (V)		
MIN HP. RATING	40 (HP)	@ 230V	
MAX HP RATING	100 (HP)	@ 575V	

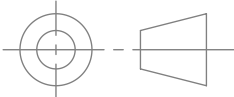

Warranty: All Products sold by BRAH Electric are guaranteed to be free of defect for a period of one year, under the condition that the product has been installed and operated properly. All items proven defective within the one year period will be replaced by BRAH Electric. In the event that we cannot provide a direct replacement, your monies will be refunded in full. We are not responsible for any consequential losses or damages outside of the defective product as well as any replacements or repairs performed by another party without our written authorization from BRAH Electric.

REVISIONS				
ZONE	REV.	DESCRIPTION	DATE	APPROVED



WWW.BRAHELECTRIC.COM, 855-355-2724

***NOTE: BRAH ELECTRIC CONTACTOR B3TF49 IS AN AFTERMARKET DIRECT REPLACEMENT FOR 3TF49,3TF SERIES. SUITABLE FOR USE WITH 3TF SERIES MOTOR CONTROL SYSTEMS**

 THIRD ANGLE PROJECTION	UNLESS OTHERWISE NOTED ALL DIMENSIONS ARE IN INCHES METRIC UNITS ARE DISPLAYED BENEATH IN [MM.]	 BRAH Electric		
	PROPRIETARY AND CONFIDENTIAL THE INFORMATION CONTAINED IN THIS DRAWING IS THE SOLE PROPERTY OF BRAH ELECTRIC. ANY REPRODUCTION IN PART OR AS A WHOLE WITHOUT THE WRITTEN PERMISSION OF BRAH ELECTRIC IS PROHIBITED.			MATERIAL MOLDED PLASTIC CASE FINISH N/A
DO NOT SCALE DRAWING		SIZE A DWG. NO. B3TF49	REV. A	
		SCALE: 1:3	WEIGHT: 3.2 LBS	SHEET 1 OF 1