

PRODUCT DATA SHEET



PART NUMBER – B3TH4022: BRAH Electric, aftermarket direct replacement contactors for Siemens 3TH4022, World Series, type 3TH, 3P, 3PH, 10A, 600V, complete with 120V AC coil, 2 N/O - 2 N/C auxiliary contact, AC magnetic contactor, suitable for use with 3TH series motor control systems

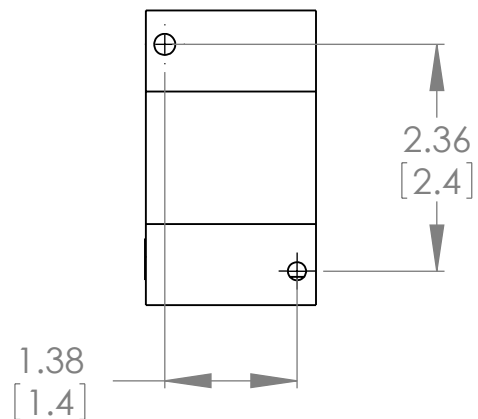
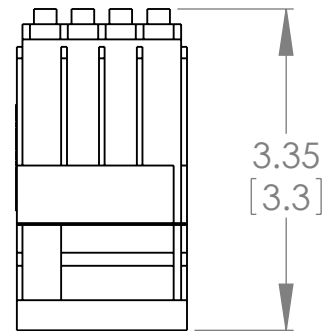
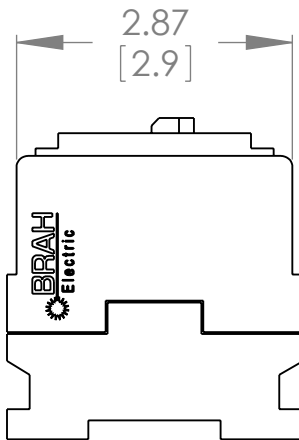
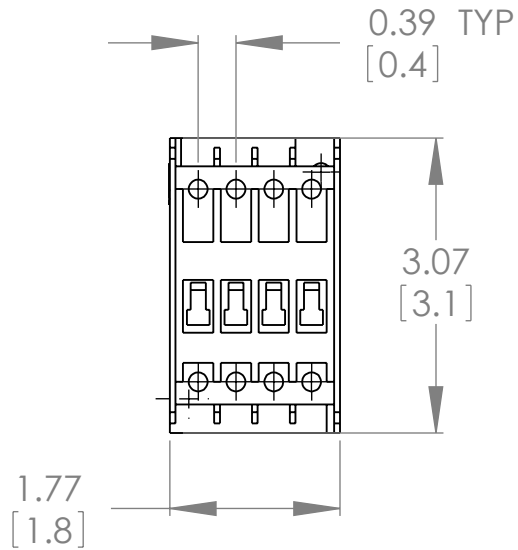
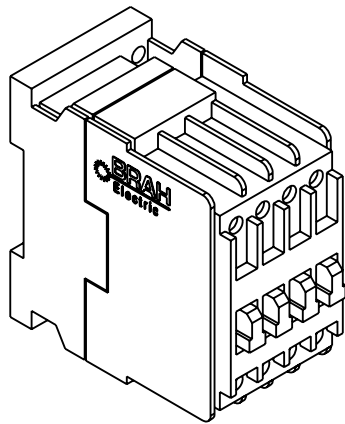
PRODUCT SPECIFICATIONS

MAGNETIC CONTACTOR
PART NO. B3TH4022

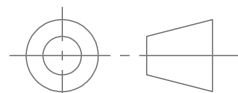
| <i>TYPE</i> | <i>VALUE (UNITS)</i> | <i>NOTES</i> | <i>COMMENTS</i> |
|-------------------------|----------------------|--------------|-----------------|
| <i>PHASE</i> | 3 | | |
| <i>POLES</i> | 4 | | |
| <i>VOLTAGE</i> | 600 (VAC) | | |
| <i>AMPERAGE</i> | 10 | | |
| <i>COIL VOLTAGE MIN</i> | 120 (V) | | |
| <i>COIL VOLTAGE MAX</i> | 120 (V) | | |

Warranty: All Products sold by BRAH Electric are guaranteed to be free of defect for a period of one year, under the condition that the product has been installed and operated properly. All items proven defective within the one year period will be replaced by BRAH Electric. In the event that we cannot provide a direct replacement, your monies will be refunded in full. We are not responsible for any consequential losses or damages outside of the defective product as well as any replacements or repairs performed by another party without our written authorization from BRAH Electric.

| REVISIONS | | | | |
|-----------|------|-------------|------|----------|
| ZONE | REV. | DESCRIPTION | DATE | APPROVED |



*** NOTE: BRAH ELECTRIC CONTACTOR B3TH4022 IS AN AFTERMARKET DIRECT REPLACEMENT FOR SEIMENS 3TH4022, 3TH SERIES. SUITABLE FOR USE WITH 3TH SERIES MOTOR CONTROL SYSTEMS**



THIRD ANGLE PROJECTION

PROPRIETARY AND CONFIDENTIAL

THE INFORMATION CONTAINED IN THIS DRAWING IS THE SOLE PROPERTY OF BRAH ELECTRIC. ANY REPRODUCTION IN PART OR AS A WHOLE WITHOUT THE WRITTEN PERMISSION OF BRAH ELECTRIC IS PROHIBITED.

UNLESS OTHERWISE NOTED

ALL DIMENSIONS ARE IN INCHES
METRIC UNITS ARE DISPLAYED
BENEATH IN [MM.]

MATERIAL
MOLDED PLASTIC CASE

FINISH
N/A

DO NOT SCALE DRAWING



MAGNETIC CONTACTOR

| | | |
|------------------|-----------------------------|------------------|
| SIZE A | DWG. NO. B3TH4022 | REV. A |
| SCALE: 1:2 | WEIGHT: 3.2 LBS | SHEET 1 OF 1 |